

US00D638240S

(12) **United States Design Patent**
Berk et al.

(10) **Patent No.:** **US D638,240 S**

(45) **Date of Patent:** **** May 24, 2011**

(54) **CUSHION INSERT FOR CHAIR SLIP COVER**

OTHER PUBLICATIONS

(75) Inventors: **Michael Berk**, Hawthorn Woods, IL
(US); **Jean Joseph**, Oak Park, IL (US)

U.S. Appl. No. 29/357,075, filed Mar. 5, 2010.

(Continued)

(73) Assignee: **The Howard Elliott Collection, Inc.**,
Carol Stream, IL (US)

Primary Examiner — Mary Ann Calabrese

(74) *Attorney, Agent, or Firm* — James P. Muraff; Neal,
Gerber & Eisenberg LLP

(**) Term: **14 Years**

(21) Appl. No.: **29/357,077**

(57) **CLAIM**

The ornamental design for the cushion insert for chair slip
cover, as shown and described.

(22) Filed: **Mar. 5, 2010**

(51) **LOC (9) Cl.** **06-09**

(52) **U.S. Cl.** **D6/596; D6/611**

(58) **Field of Classification Search** D6/335,
D6/338, 595–601, 604, 610, 611; 5/630,
5/632, 633, 636–640, 642, 644–646, 648,
5/652–655, 655.3, 655.9, 656, 657.5; D21/803;
D24/183; D30/118; 297/218.1, 219.1, 223,
297/228.1, 255, 284.5, 378.1, 380, 382, 452.16
See application file for complete search history.

DESCRIPTION

This application is being filed simultaneously with U.S.
patent application Ser. No. 29/357,075 filed on Mar. 5, 2010,
entitled “Chair Slip Cover” and U.S. patent application Ser.
No. 12/718,872 filed on Mar. 5, 2010, entitled “Chair Slip
Cover”, both of which are incorporated herein by reference
without claiming such subject matter.

FIG. 1 is a front perspective view of the cushion insert for
chair slip cover for the new design;

FIG. 2 is a rear perspective view of the cushion insert for chair
slip cover for the new design;

FIG. 3 is a right side view of the cushion insert for chair slip
cover of the new design;

FIG. 4 is a rear view of the cushion insert for chair slip cover
of the new design;

FIG. 5 is a right left side view of the cushion insert for chair
slip cover of the new design;

FIG. 6 is a front view of the cushion insert for chair slip cover
of the new design; and

FIG. 7 is a bottom view of the cushion insert for chair slip
cover of the new design; and,

FIG. 8 is a top view of the cushion insert for chair slip cover
of the new design.

The broken lines showing the environment in the Figures are
for illustrative purposes only and form no part of the claimed
design.

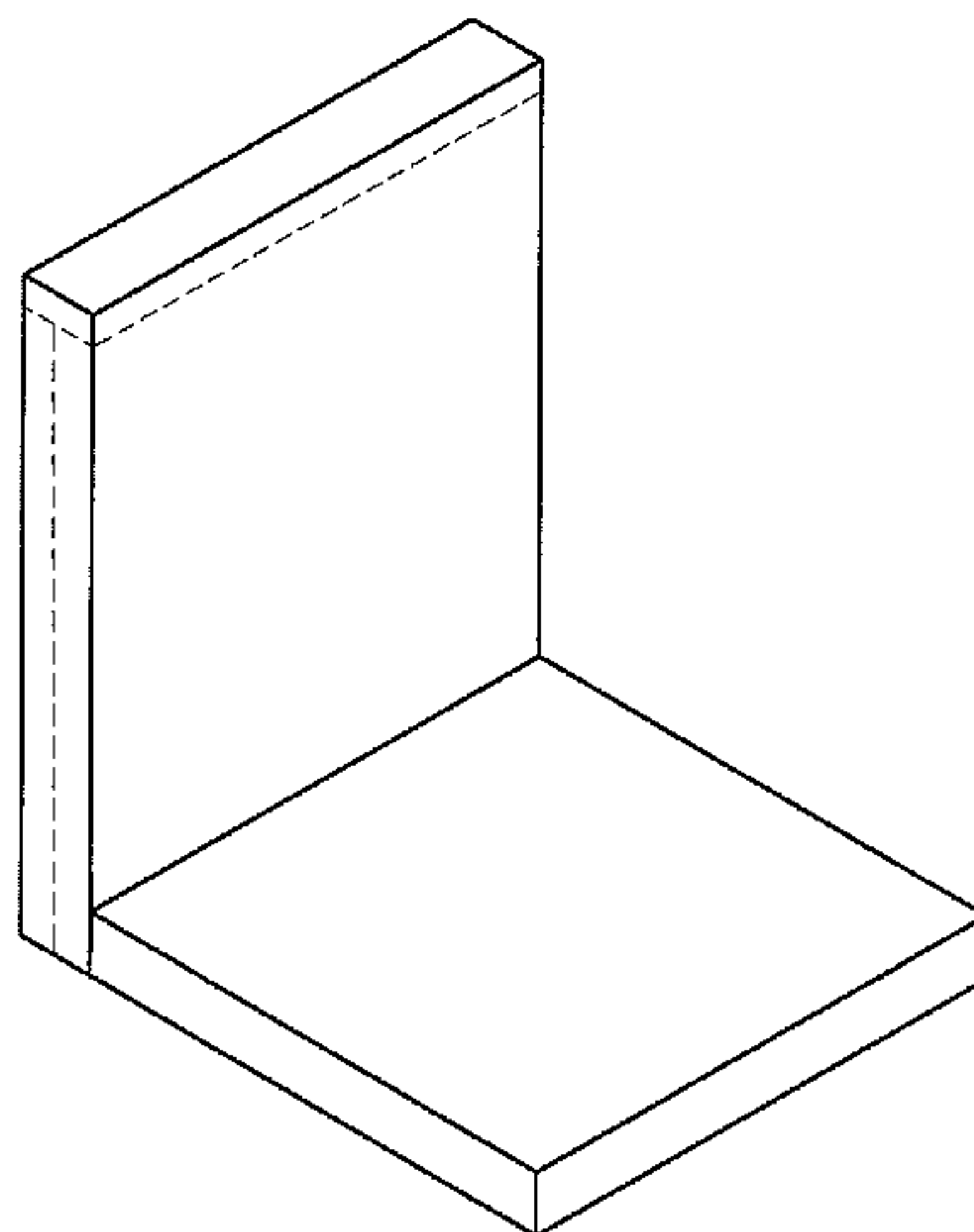
(56) **References Cited**

U.S. PATENT DOCUMENTS

2,877,832	A	3/1959	Reavis	
3,346,298	A *	10/1967	Champion	297/452.16
D210,014	S *	1/1968	Heckerthorn	D6/596
3,515,430	A	6/1970	Nelson	
3,517,963	A	6/1970	Woods et al.	
3,659,297	A *	5/1972	Schutz	5/655
D258,187	S *	2/1981	Robbins	D6/596
D312,741	S *	12/1990	Treadwell	D6/601
D349,201	S *	8/1994	Sleboda et al.	D6/601
D366,383	S *	1/1996	Briegleb	D6/601
D377,574	S *	1/1997	Mades	D6/601
5,816,654	A *	10/1998	Ellis	297/284.5
D413,037	S *	8/1999	Bellington	D6/596
D416,430	S	11/1999	Di Genova	
D419,025	S	1/2000	Lindberg	
6,079,778	A	6/2000	Lindberg	
D473,090	S	4/2003	Trucchi	
D491,761	S	6/2004	Nilsen	
D504,271	S	4/2005	Springer	

(Continued)

1 Claim, 2 Drawing Sheets



US D638,240 S

Page 2

U.S. PATENT DOCUMENTS

D507,144 S 7/2005 Springer
D527,938 S 9/2006 Dandrea
7,258,399 B2 8/2007 Neustat
D575,976 S 9/2008 Miller
D611,751 S 3/2010 Siklosi
D624,343 S 9/2010 Long
7,841,658 B1 11/2010 Marble
2002/0179212 A1 12/2002 Willard
2009/0193616 A1 8/2009 Hendricks et al.
2010/0205746 A1* 8/2010 Kerekes et al. 5/654

OTHER PUBLICATIONS

U.S. Appl. No. 12/718,872, filed Mar. 5, 2010.
Website <http://cdn.overstock.com/images/products/3/L11481882.jpg>.
Website <http://www.amazon.com/gp/product/images/B002R3429I/>.
Office Action dated Feb. 2, 2011 for co-pending U.S. Appl. No. 12/718,872.
* cited by examiner

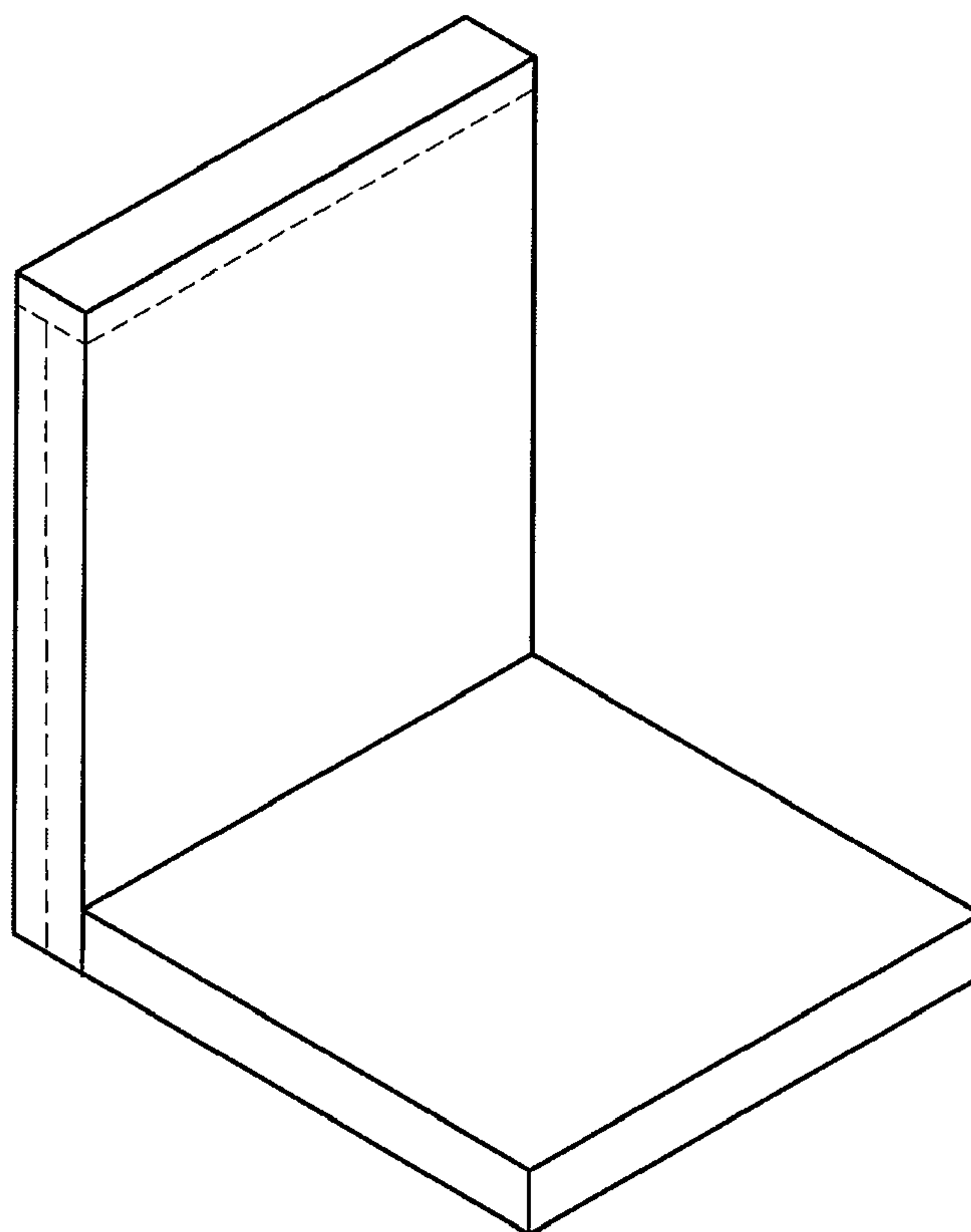


FIG. 1

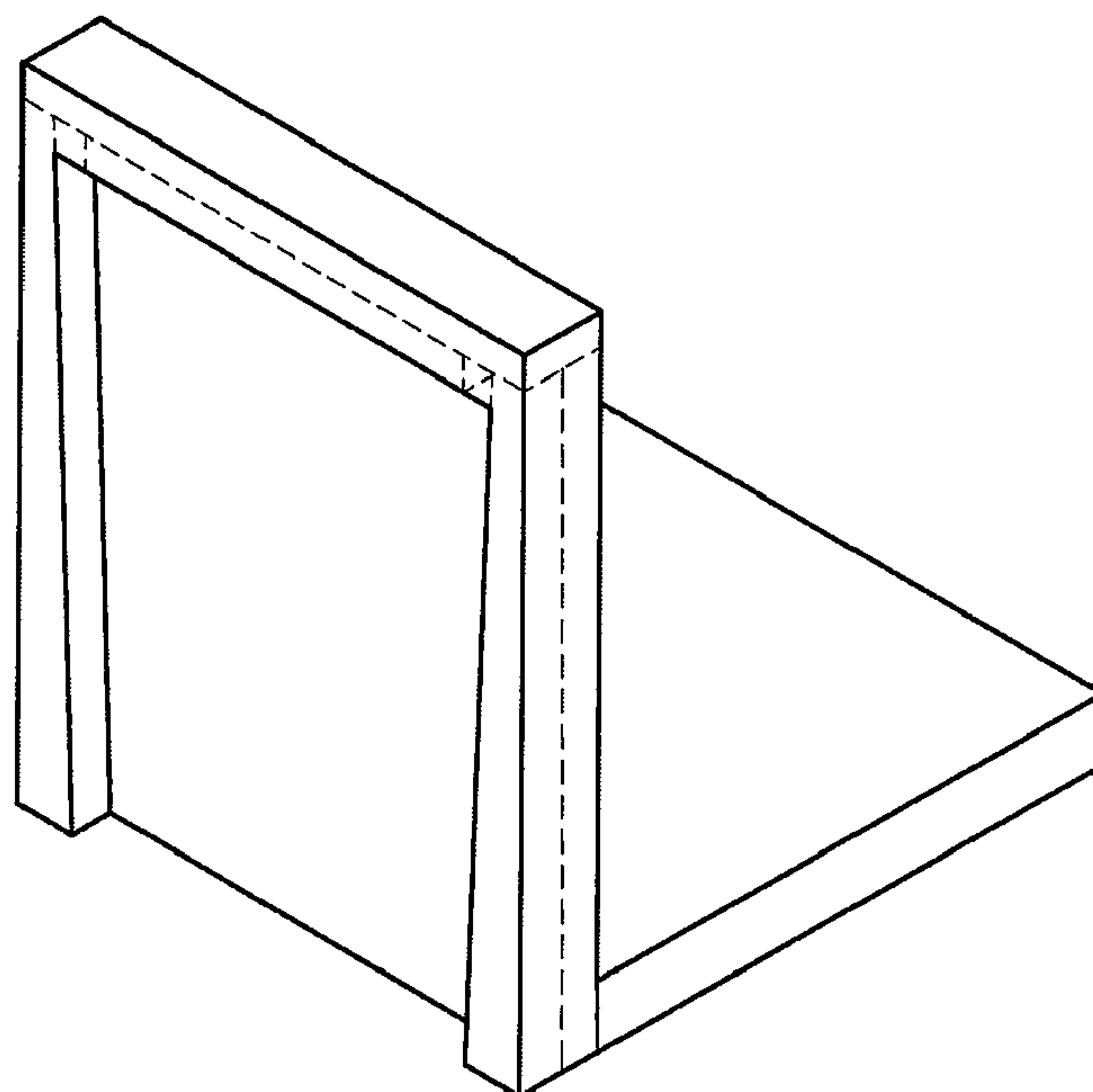


FIG. 2

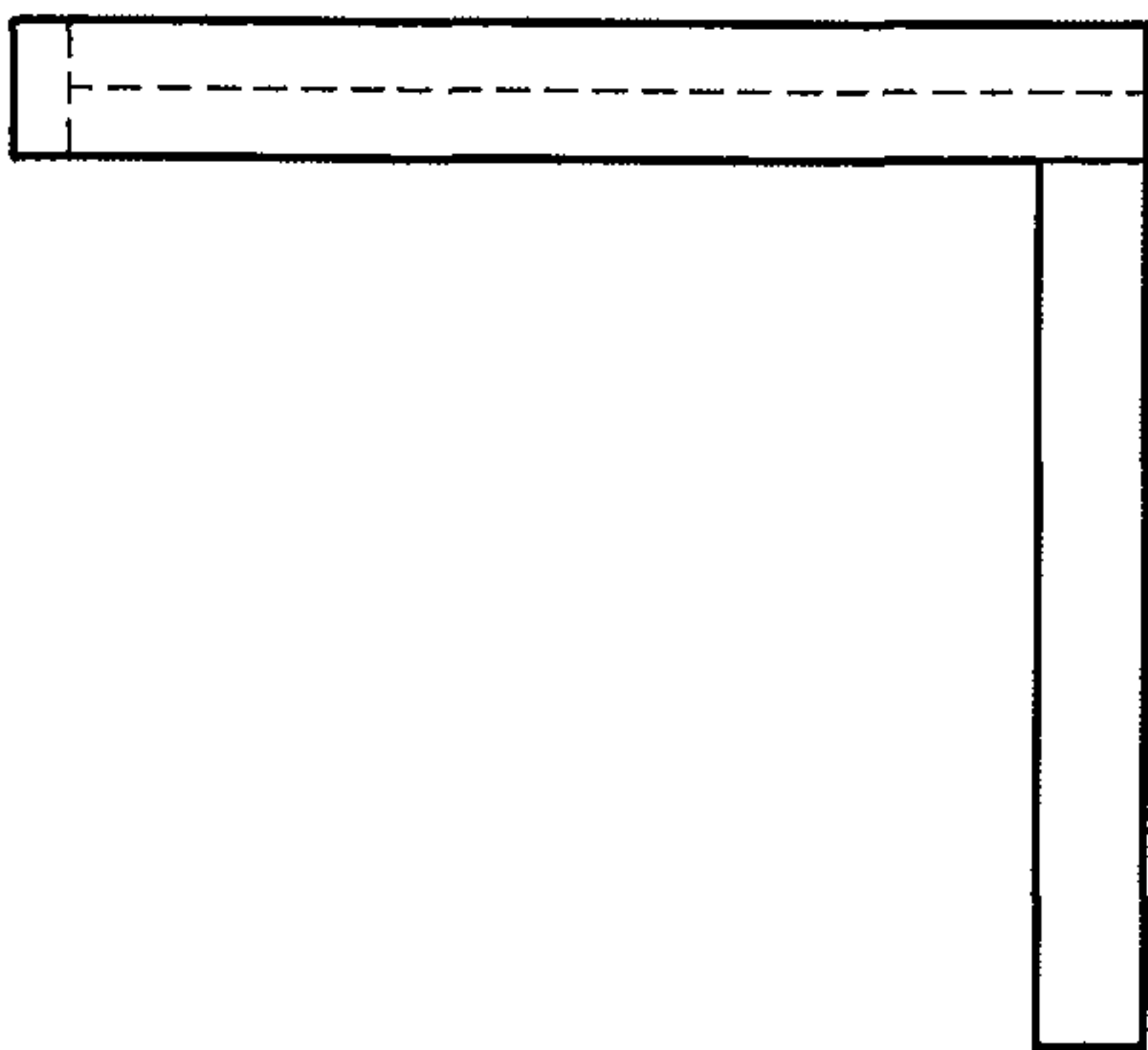


FIG. 3

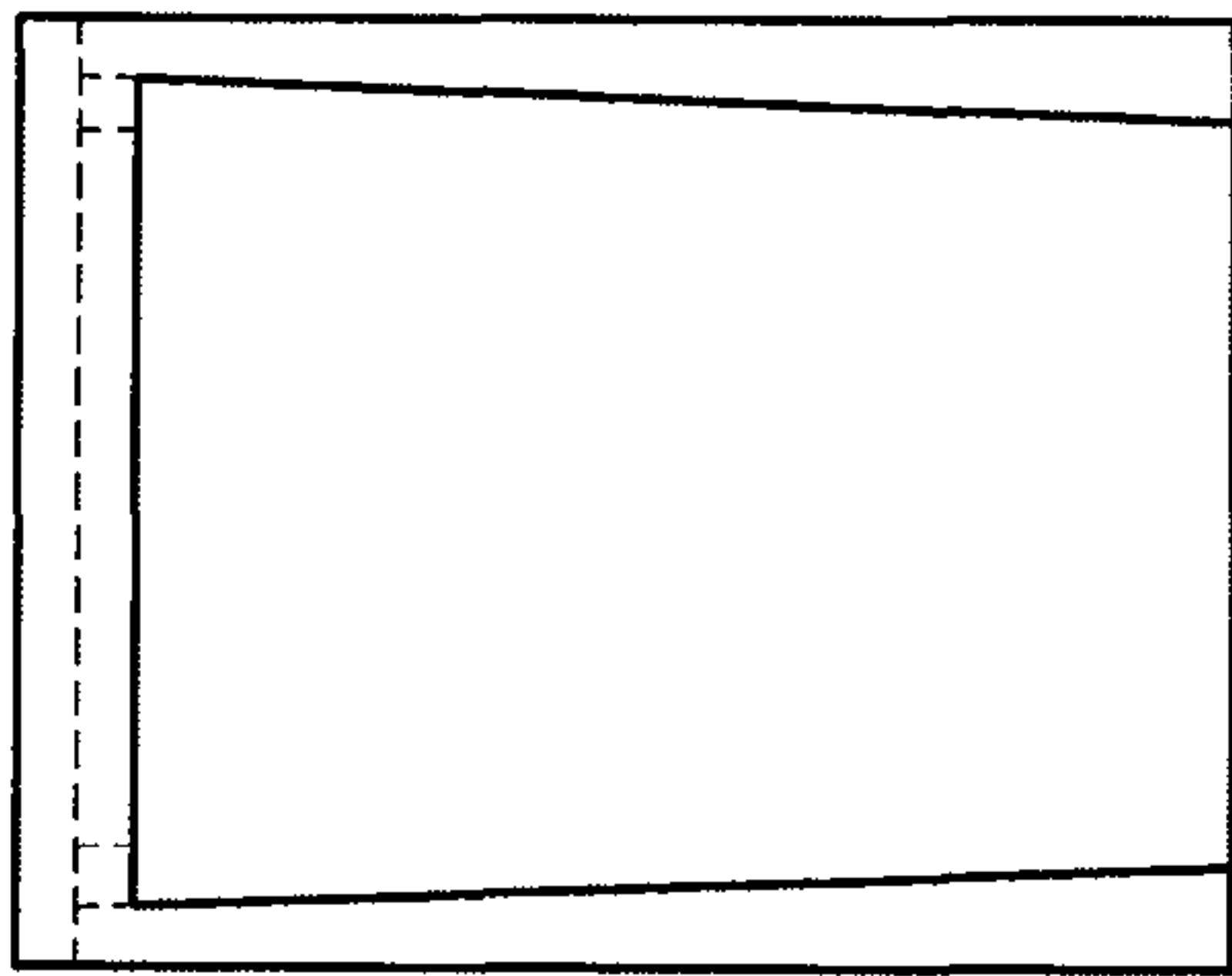


FIG. 4

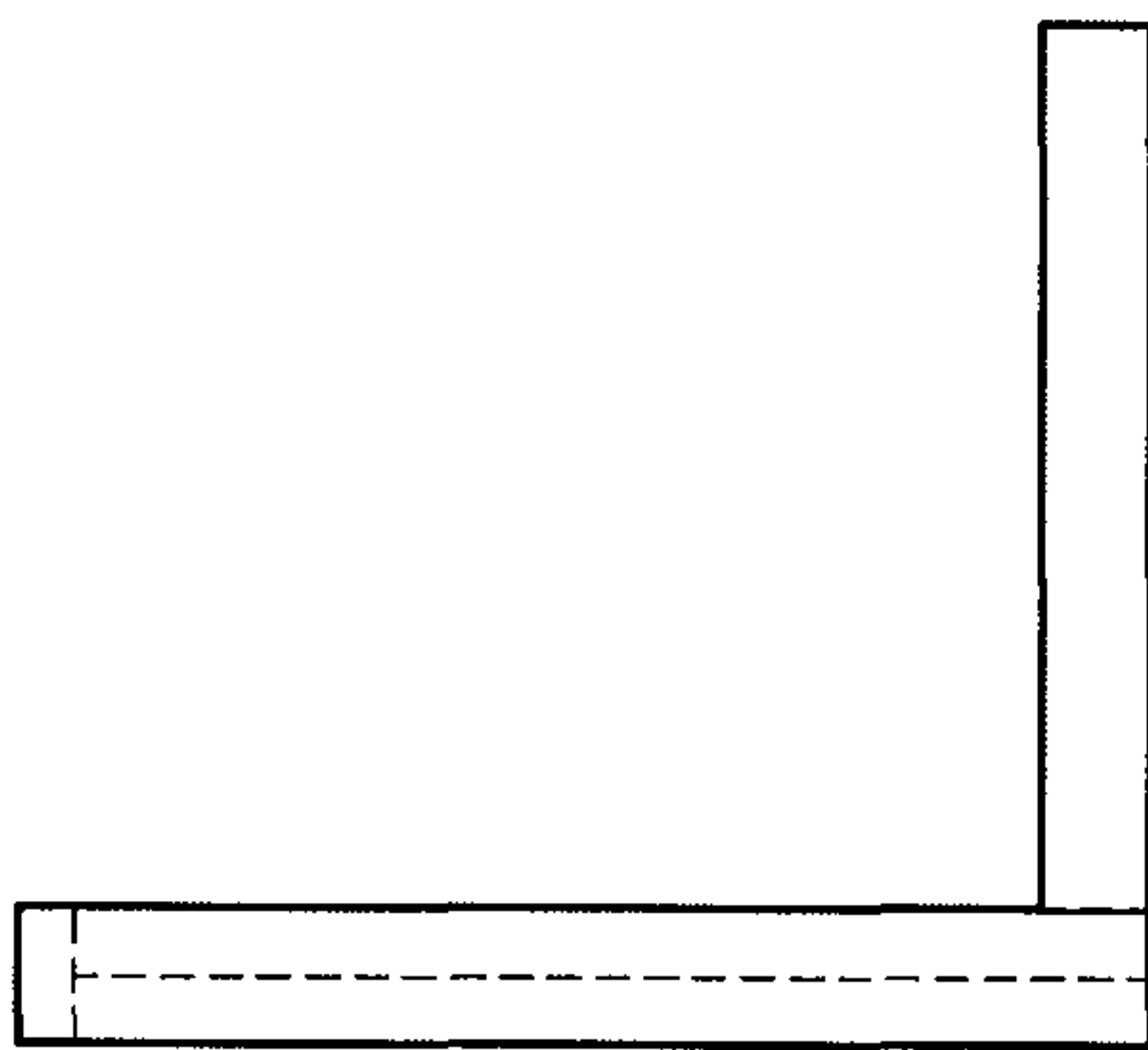


FIG. 5

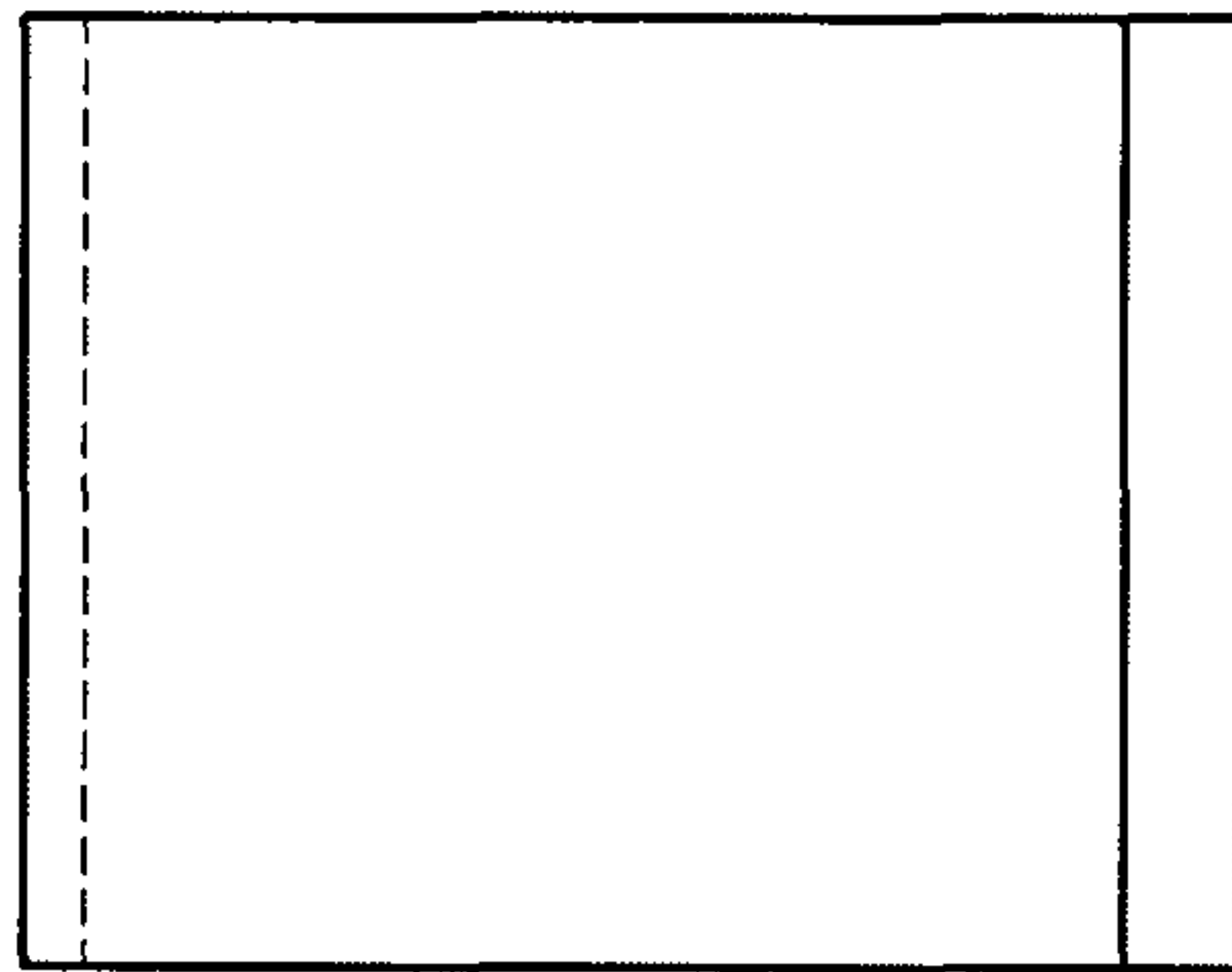


FIG. 6

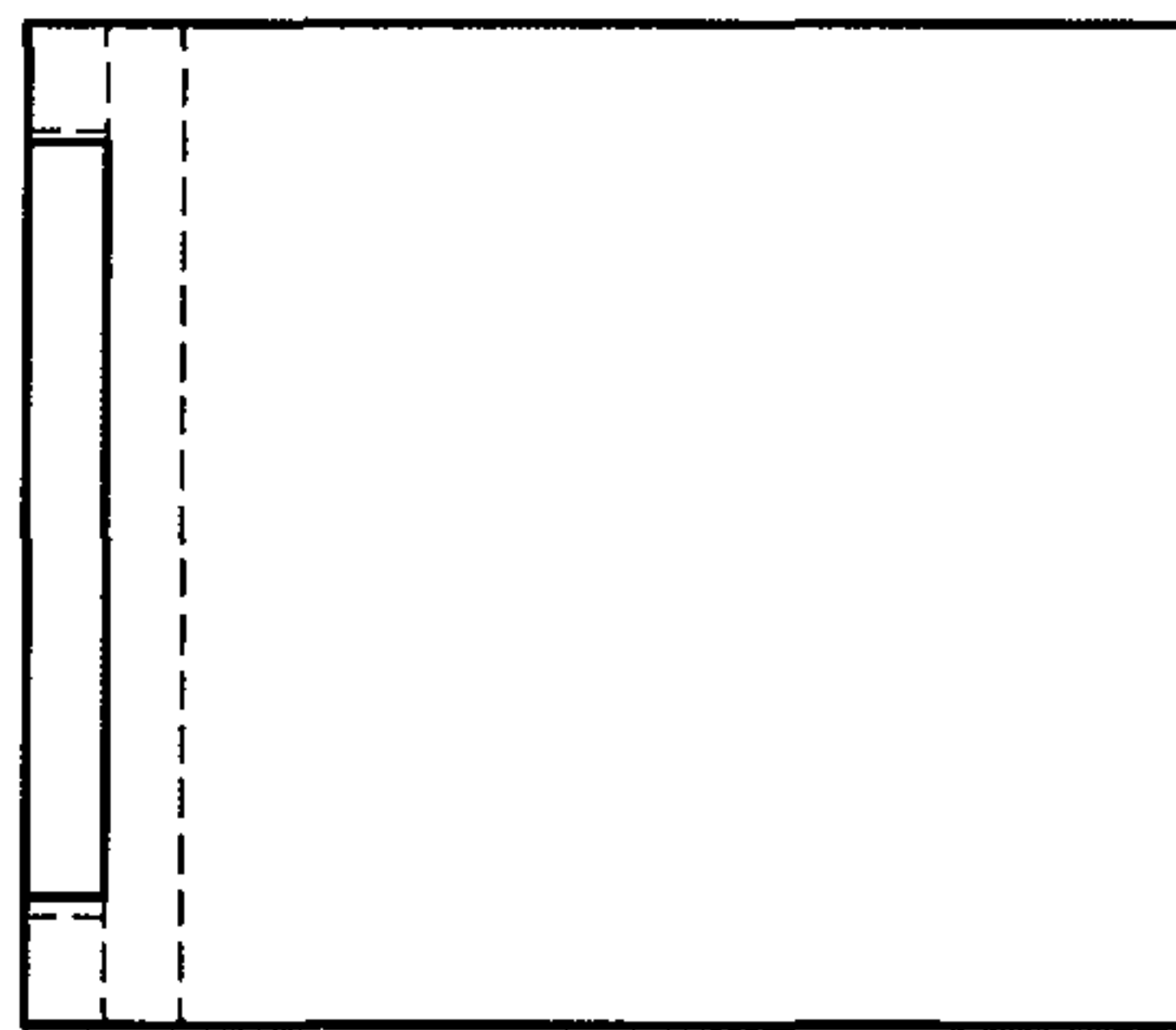


FIG. 7

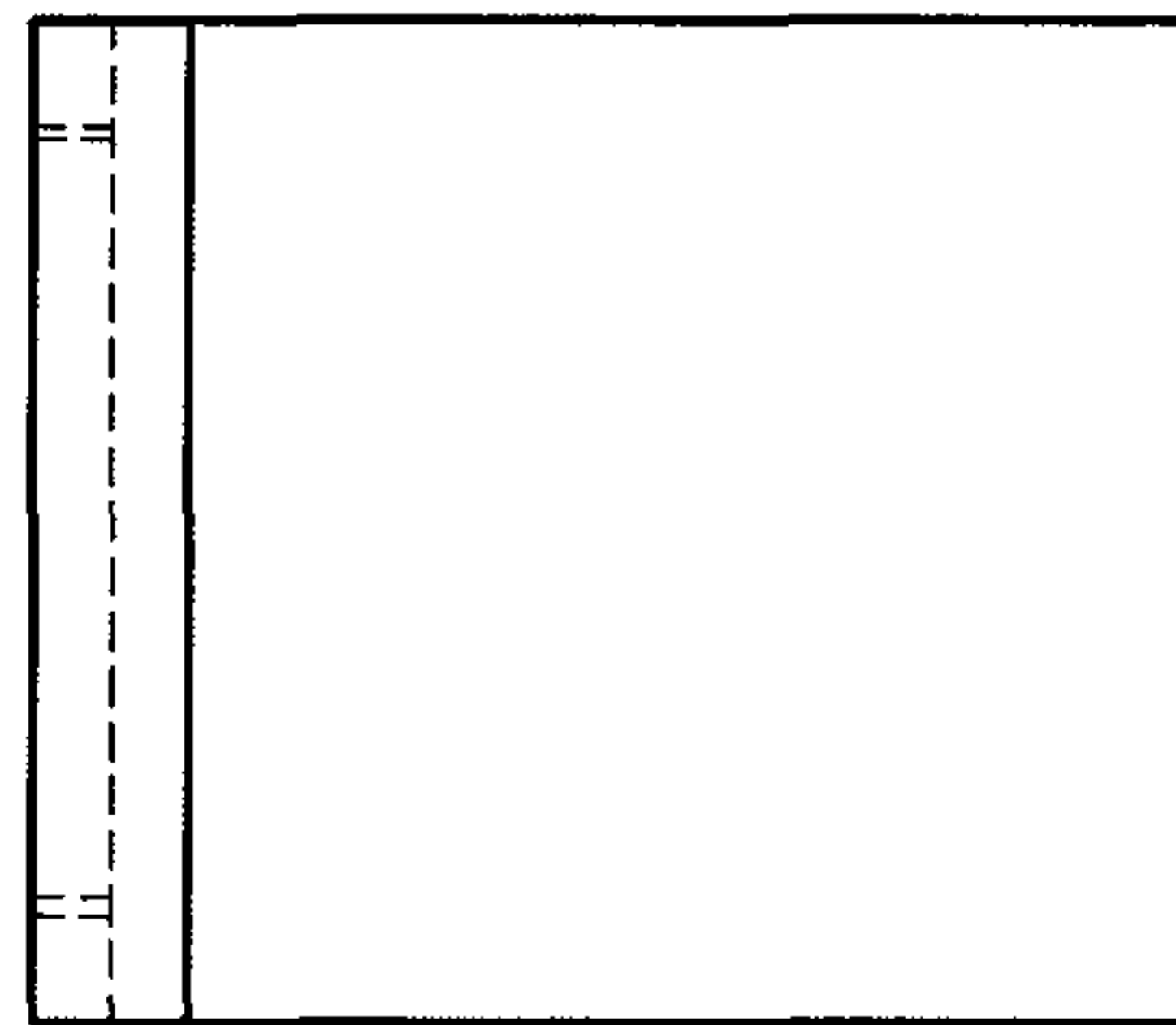


FIG. 8