



US00D638239S

(12) **United States Design Patent**
Lennon

(10) **Patent No.:** **US D638,239 S**

(45) **Date of Patent:** **** May 24, 2011**

(54) **VALANCE**

(76) Inventor: **Sharon Lennon**, Lake View, NY (US)

(**) Term: **14 Years**

(21) Appl. No.: **29/385,164**

(22) Filed: **Feb. 9, 2011**

(51) **LOC (9) Cl.** **06-10**

(52) **U.S. Cl.** **D6/579**

(58) **Field of Classification Search** D6/575,
D6/576, 578, 579, 580, 608; D25/52, 55,
D25/56, 57, 60, 61; D11/81; D23/366; 160/19,
160/23.1, 33, 38, 39; 428/99, 354; 441/74,
441/75, 79

See application file for complete search history.

(56) **References Cited**

U.S. PATENT DOCUMENTS

D168,135 S	*	11/1952	Yorkavage	D6/579
D207,585 S		5/1967	Parker		
D339,948 S		10/1993	Cromartie		
D354,648 S	*	1/1995	Wagner	D6/579
D442,004 S	*	5/2001	Dalmida	D6/579
D443,167 S		6/2001	Barron et al.		
D461,355 S	*	8/2002	Rochefford	D6/579

D480,249 S * 10/2003 Mazzarone et al. D6/579
* cited by examiner

Primary Examiner — Susan Bennett Hattan

Assistant Examiner — Barbara Lohr

(74) *Attorney, Agent, or Firm* — Kloss, Stenger & LoTempio; Vincent G. LoTempio; Douglas R. Smith

(57) **CLAIM**

The ornamental design for a valance, as shown and described.

DESCRIPTION

FIG. 1 is a front perspective view of the valance with environment;

FIG. 2 is a rear perspective view of the valance with environment;

FIG. 3 is front view of my design;

FIG. 4 is a rear view of my design;

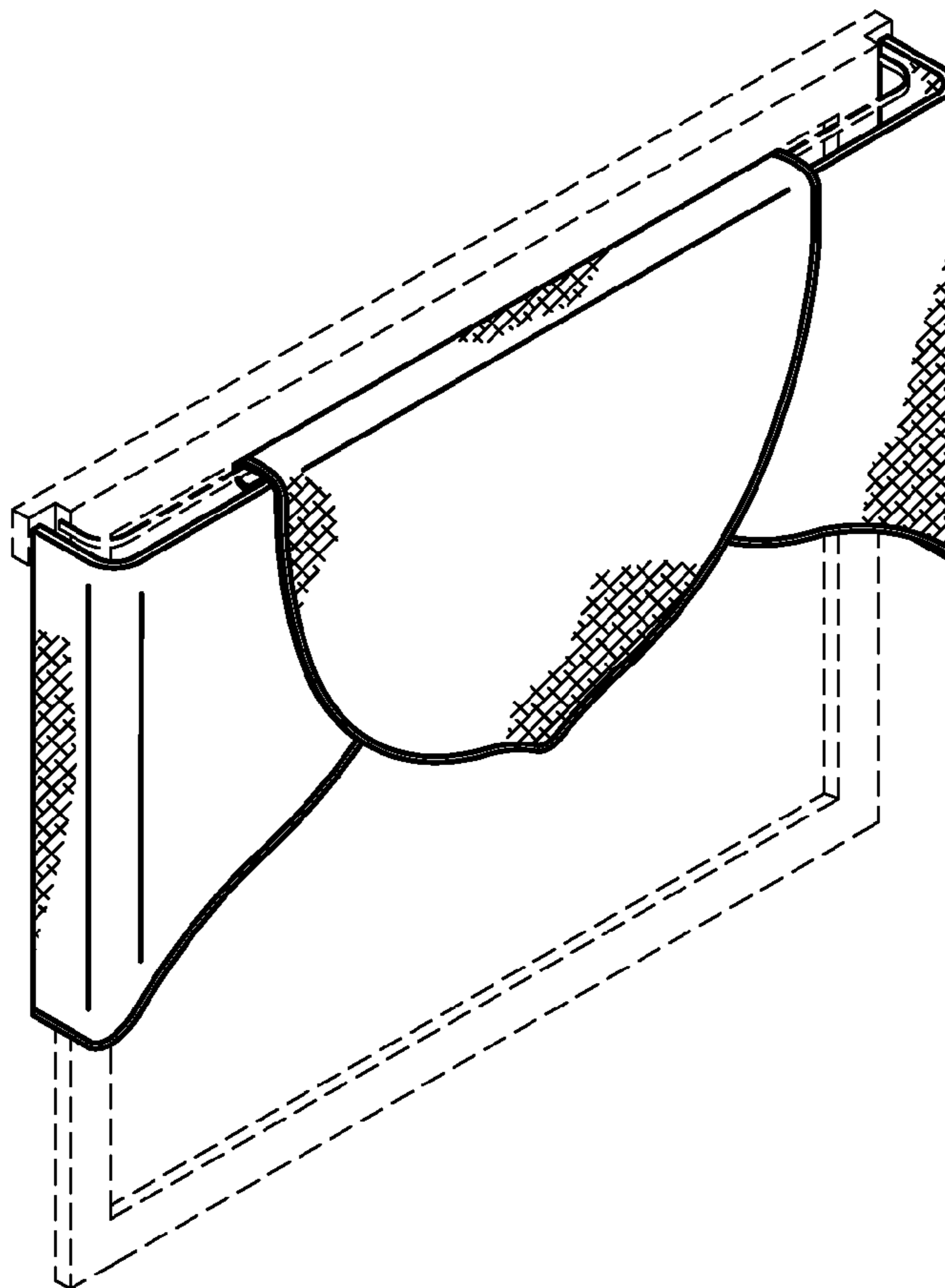
FIG. 5 is a top view of my design;

FIG. 6 is a bottom view of my design; and,

FIG. 7 is a right side view of my design, with the left side being a mirror image.

The broken lines depict environmental structures and form no part of the claimed design.

1 Claim, 3 Drawing Sheets



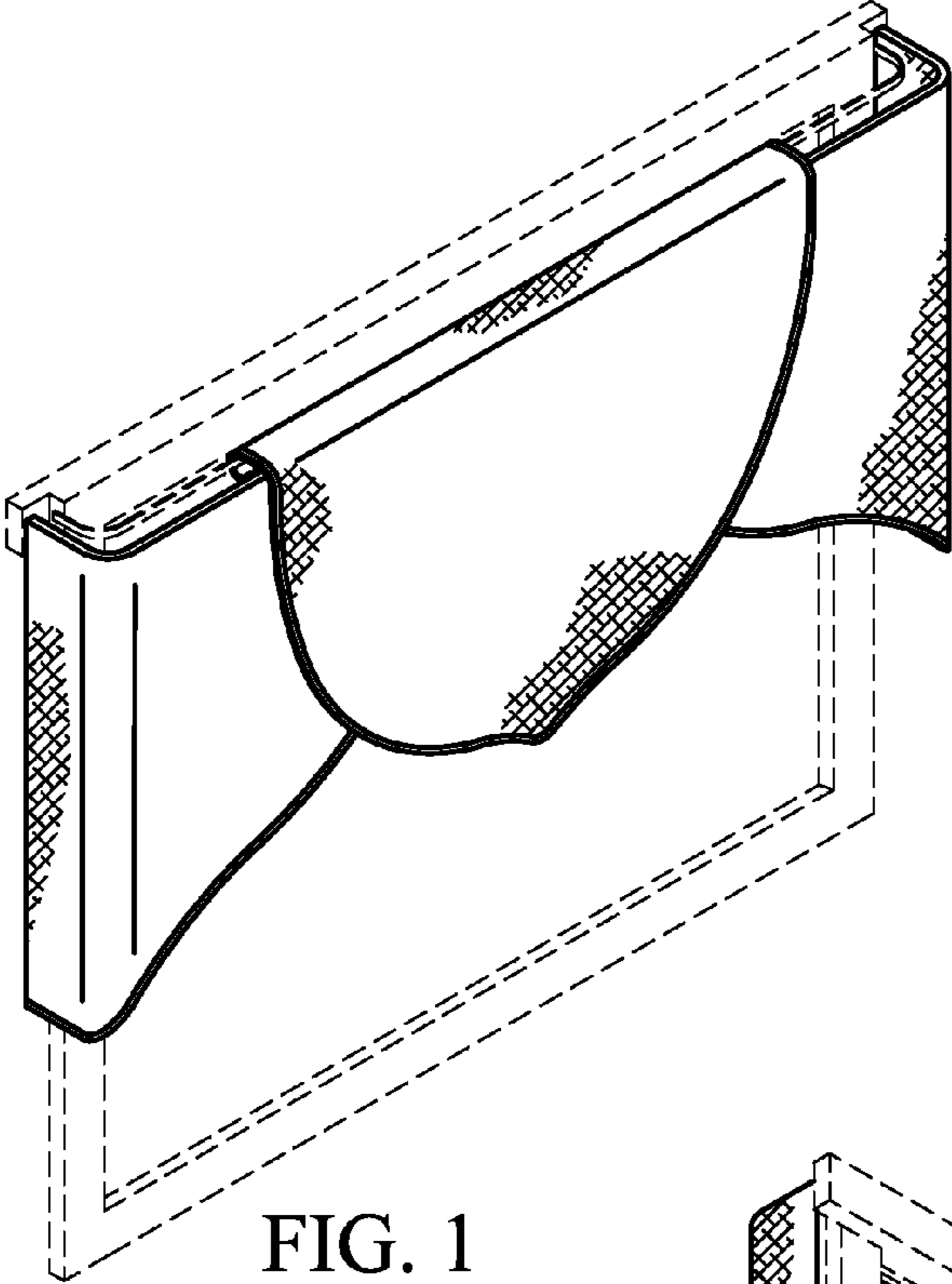


FIG. 1

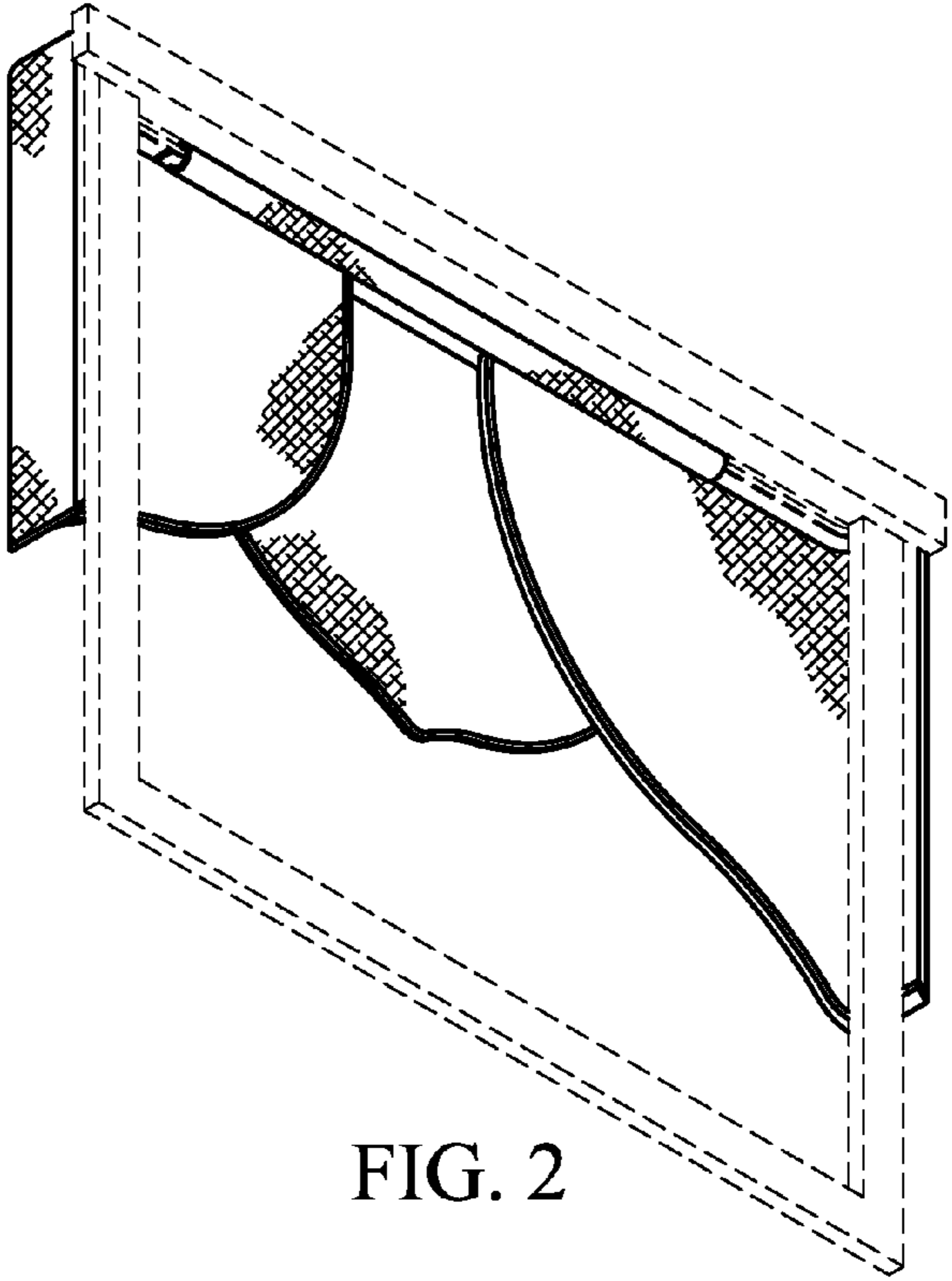


FIG. 2

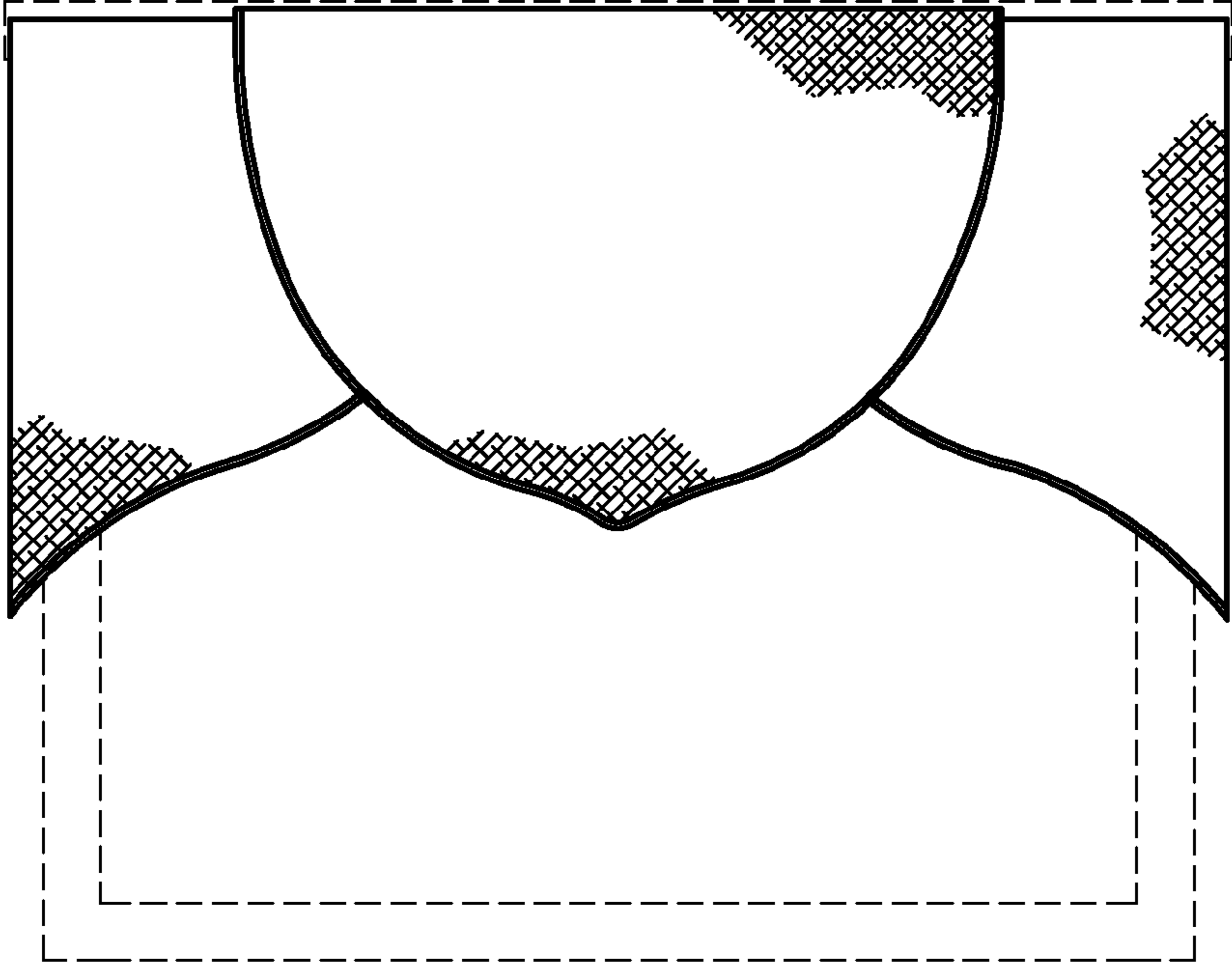


FIG. 3

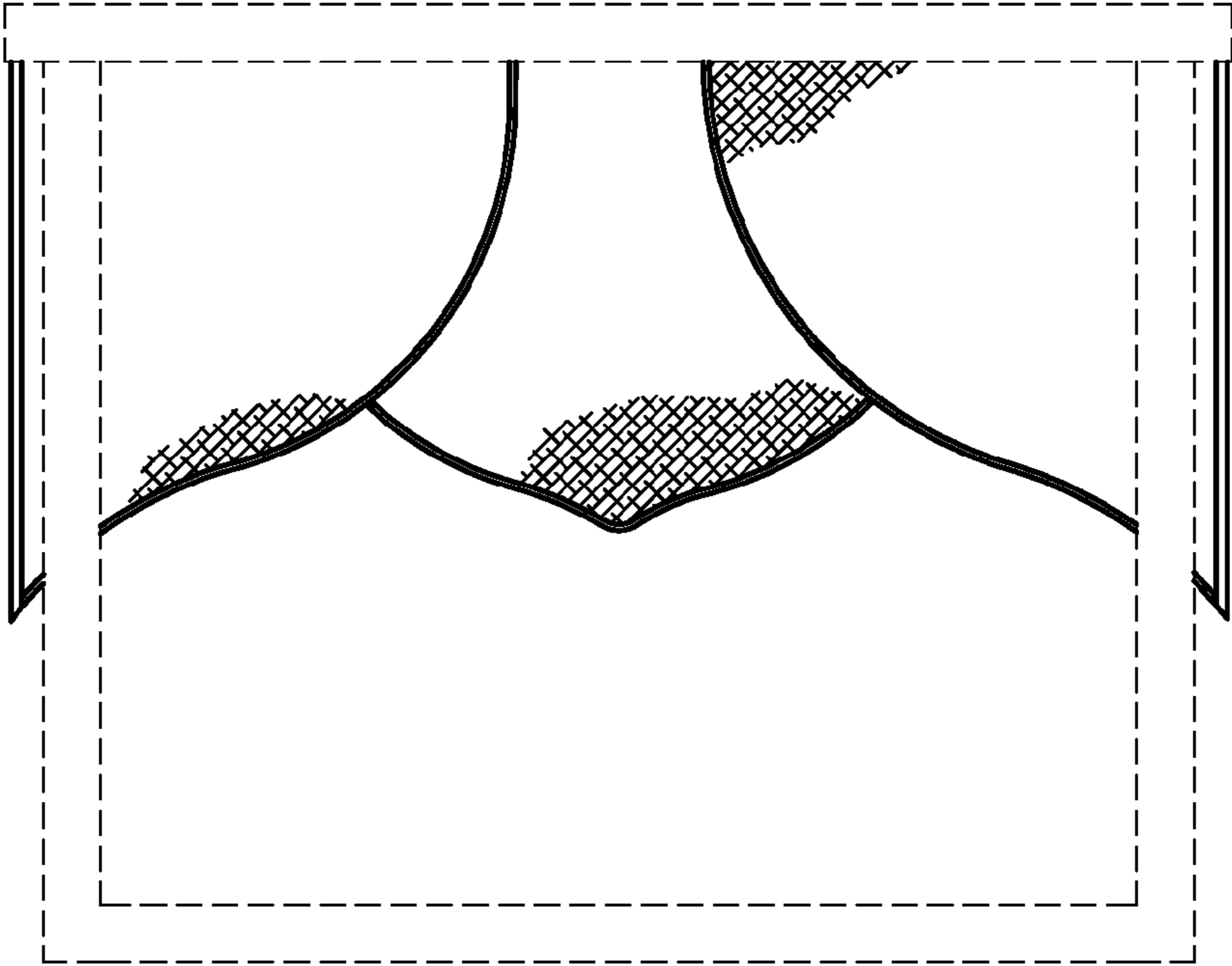


FIG. 4

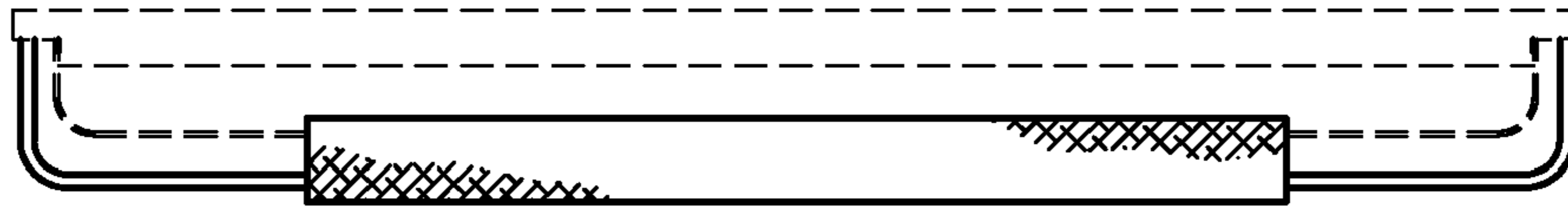


FIG. 5

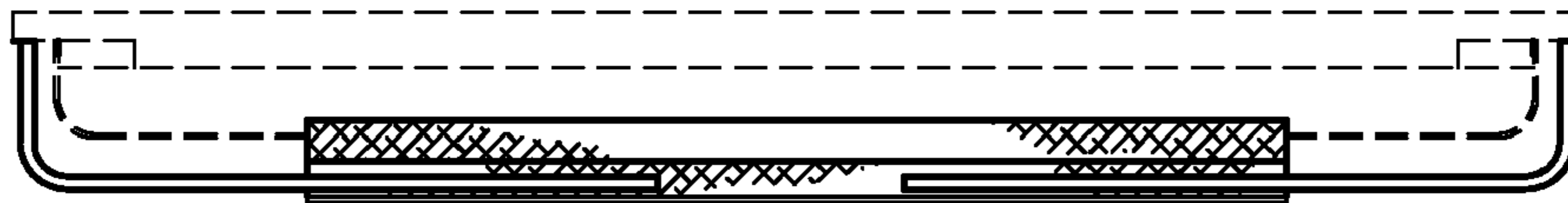


FIG. 6

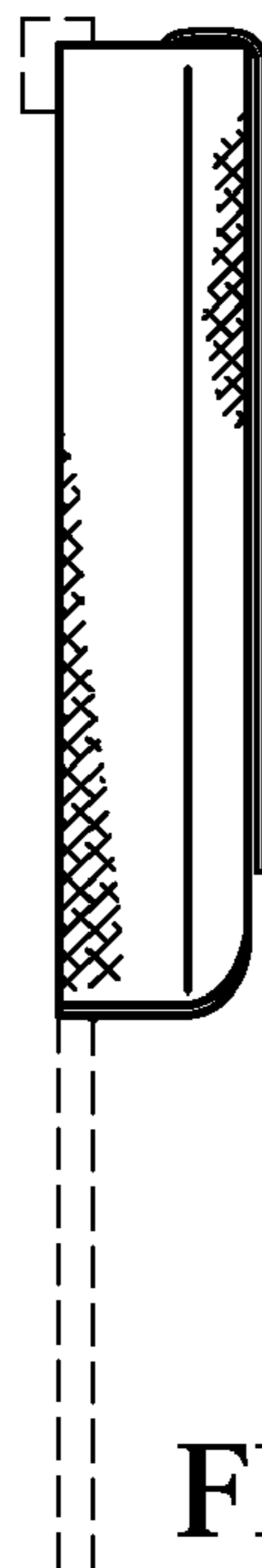


FIG. 7