



US00D638238S

(12) **United States Design Patent**
Del Sesto

(10) **Patent No.:** **US D638,238 S**

(45) **Date of Patent:** **** May 24, 2011**

(54) **WALL MOUNTED PLANTER**

(76) Inventor: **Gerald Del Sesto**, Providence, RI (US)

(**) Term: **14 Years**

(21) Appl. No.: **29/372,109**

(22) Filed: **Oct. 18, 2010**

(51) **LOC (9) Cl.** **11-02**

(52) **U.S. Cl.** **D6/558**

(58) **Field of Classification Search** D6/403-405,
D6/556-558; D8/1; D11/143-156, 164;
D19/77, 80, 81, 84; D25/100; D26/9-11,
D26/16, 19; D34/1, 2, 4-6; D99/5, 19; 47/17,
47/32.4, 32.5, 32.7, 33, 39, 41.01, 41.1, 41.11-41.15,
47/44-47, 65, 65.5, 65.9, 66.1, 66.2, 66.6,
47/66.7, 67-71

See application file for complete search history.

(56) **References Cited**

U.S. PATENT DOCUMENTS

D97,366 S * 10/1935 Weil D6/558
D240,182 S * 6/1976 Young D6/558

D294,548 S * 3/1988 Wallace D6/567
D376,714 S * 12/1996 Dallimore D6/556
D419,810 S * 2/2000 John D6/556

* cited by examiner

Primary Examiner — Garth Rademaker

(74) *Attorney, Agent, or Firm* — Robert J Doherty

(57) **CLAIM**

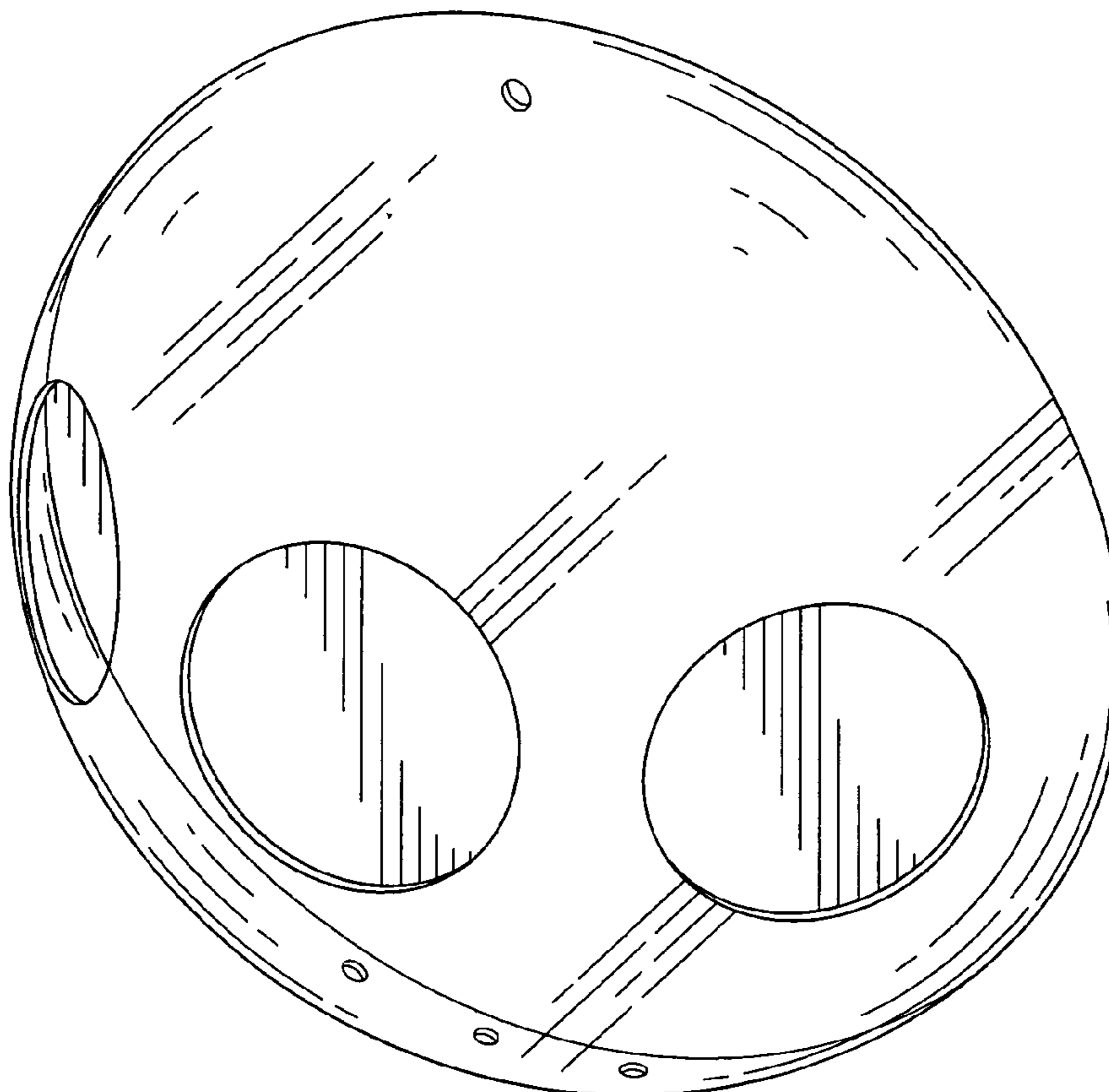
The ornamental design for a wall mounted planter, as shown and described.

DESCRIPTION

FIG. 1 is a front perspective view of a wall mounted planter showing my new design;
FIG. 2 is a front elevation view thereof;
FIG. 3 is a rear elevation view thereof;
FIG. 4 is a bottom plan view thereof;
FIG. 5 is a top plan view thereof;
FIG. 6 is a left side elevation view thereof;
FIG. 7 is a right side elevation view thereof; and,
FIG. 8 is a front perspective view showing plants and potting material disposed within the planter.

The broken line showings of plants and potting material in FIG. 8 are for illustrative purposes and form no part of the claimed design.

1 Claim, 6 Drawing Sheets



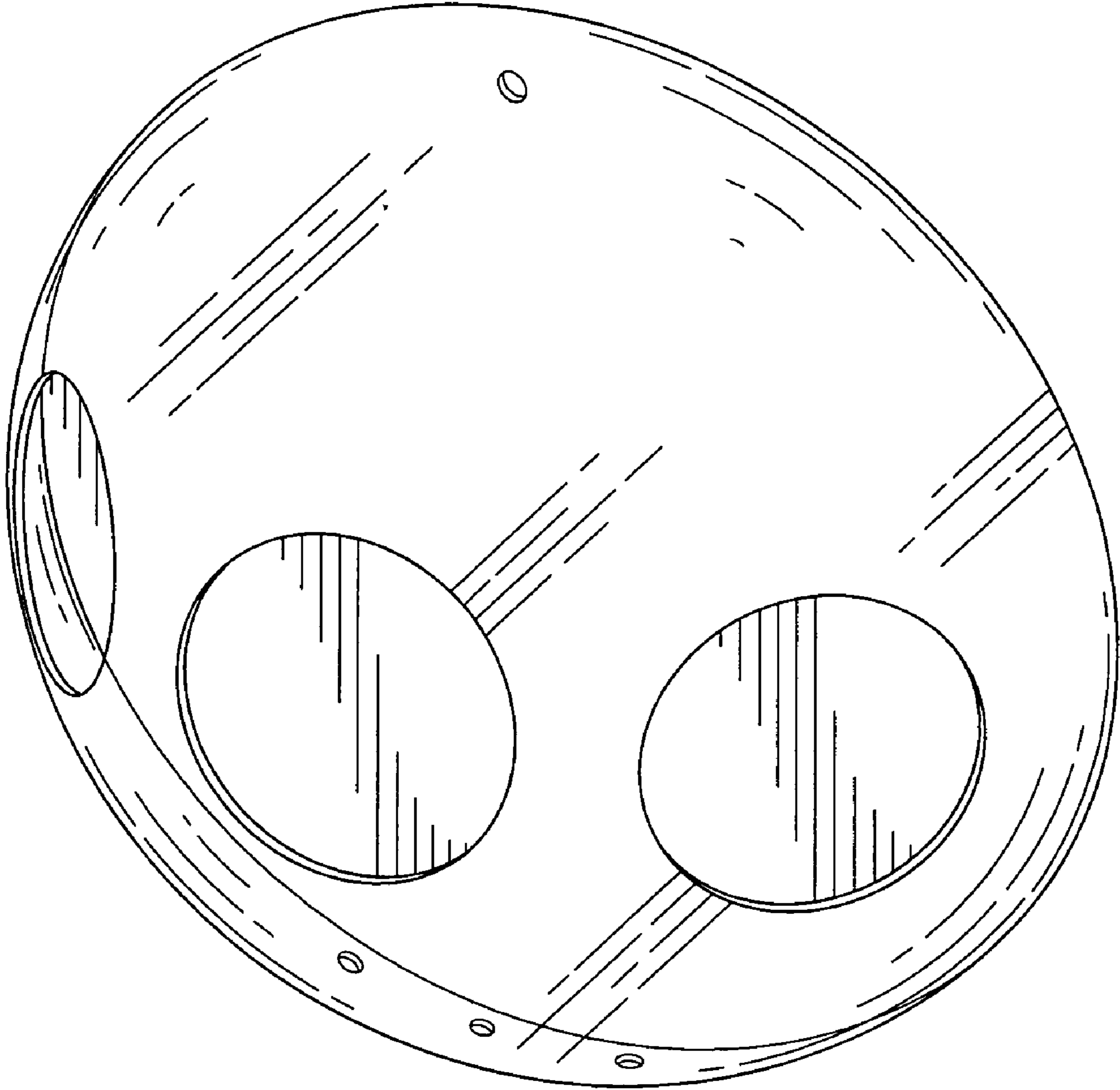


FIG. 1

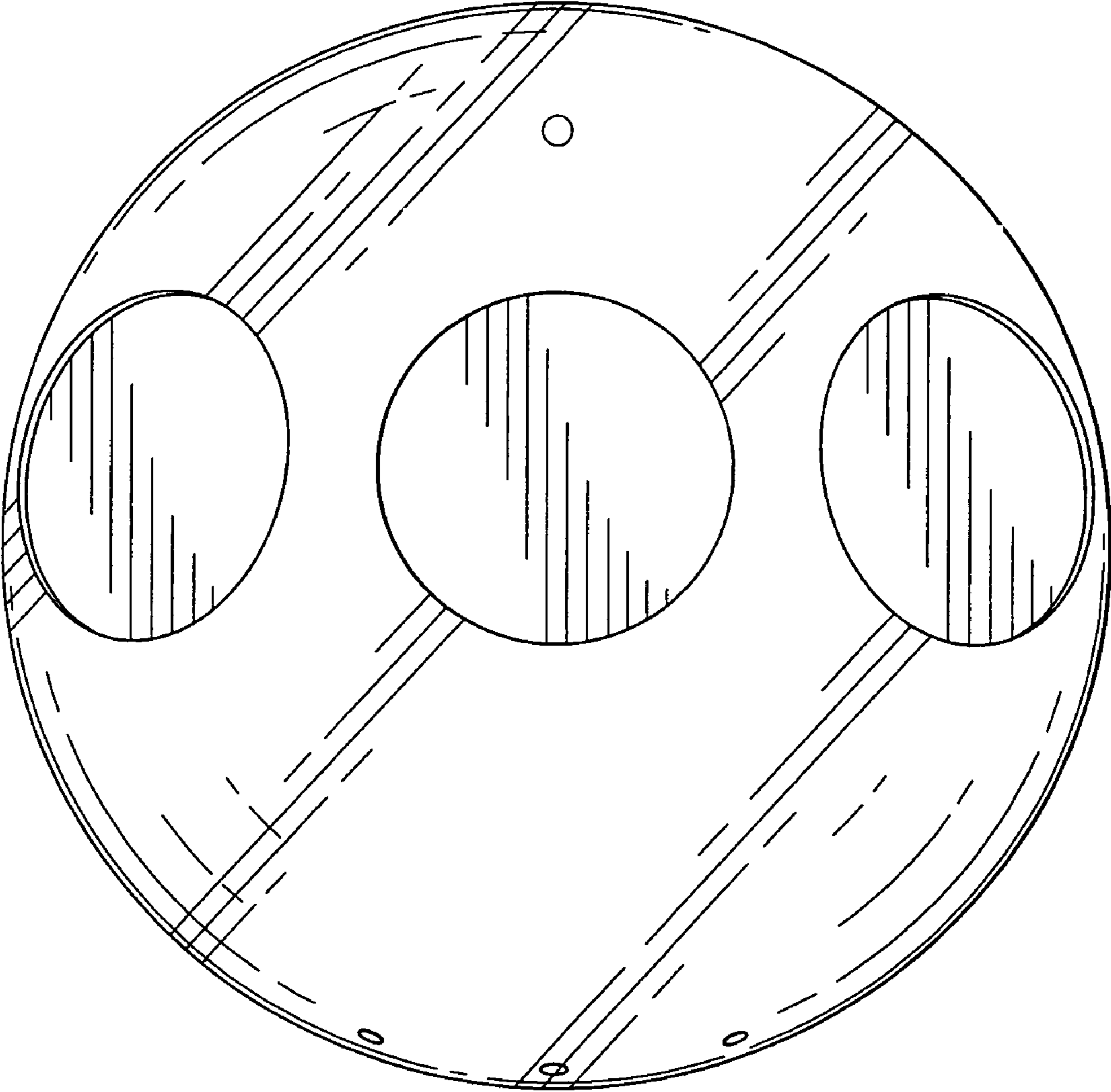


FIG. 2

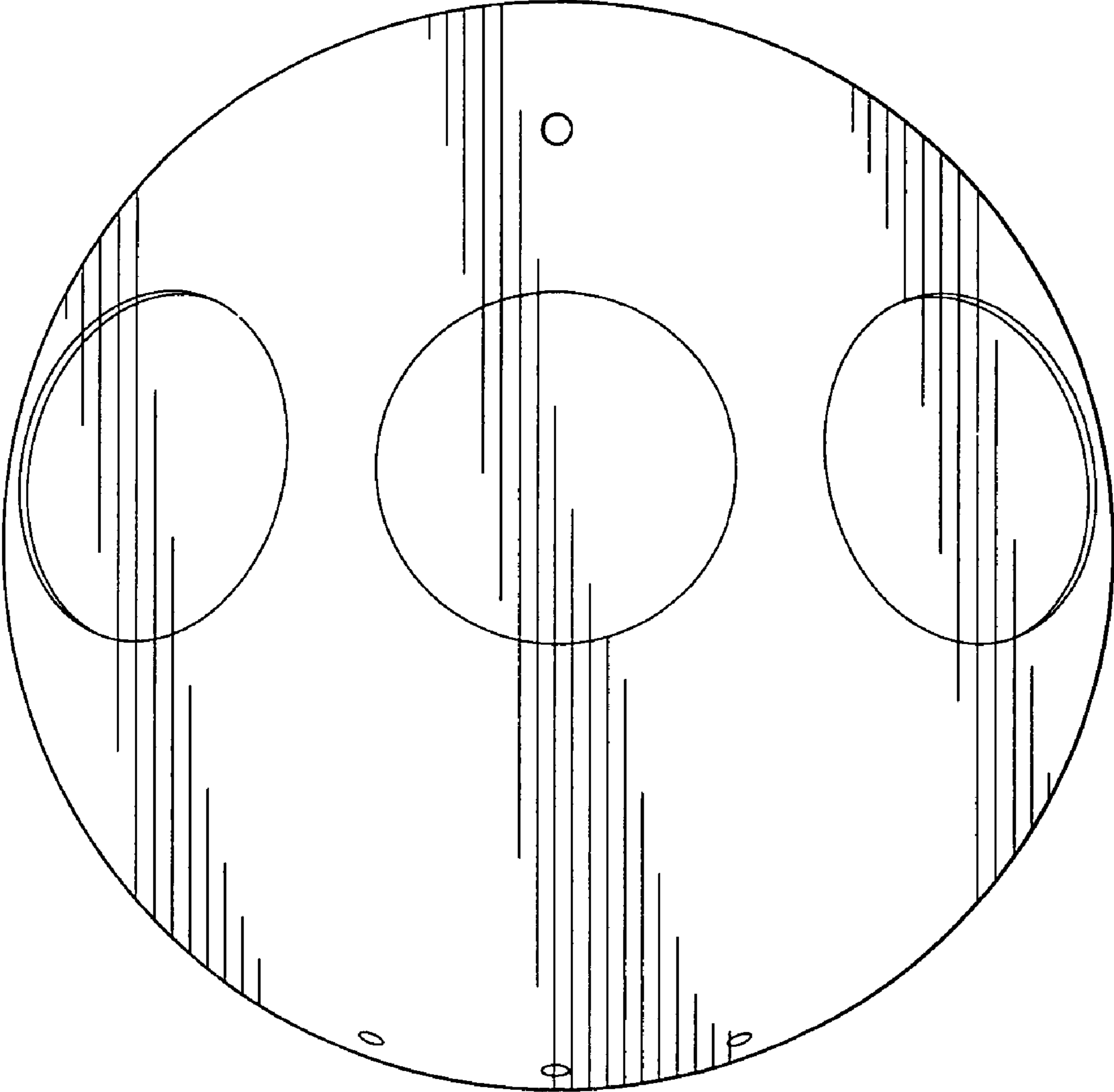


FIG. 3

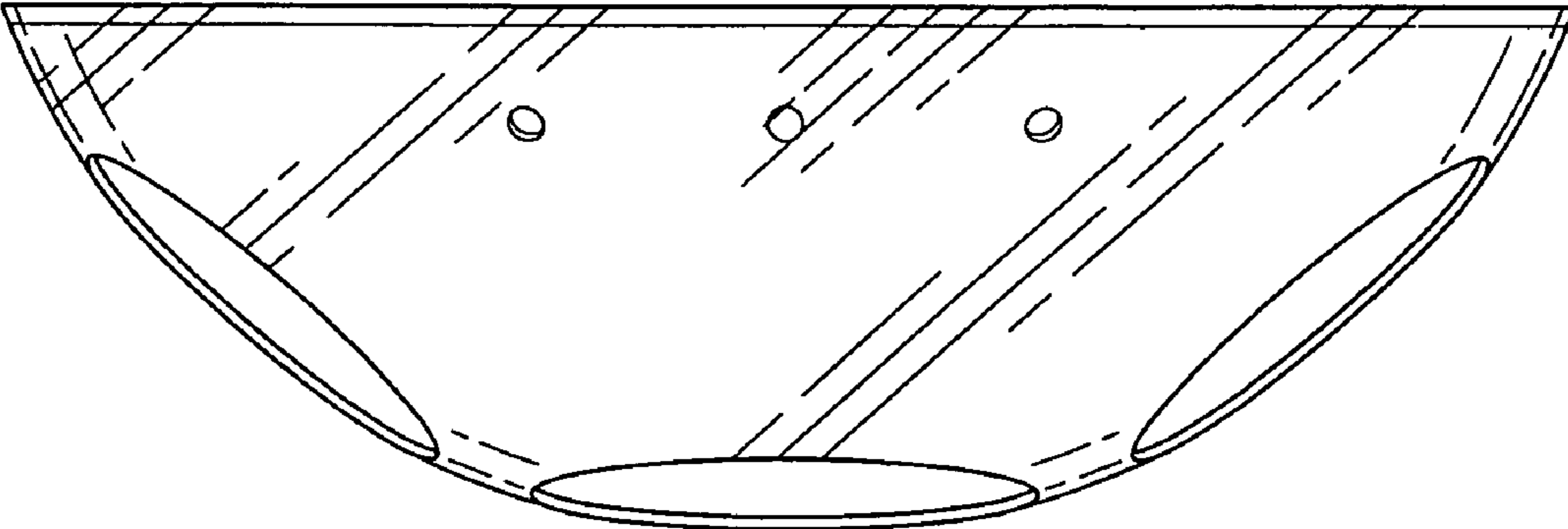


FIG. 4

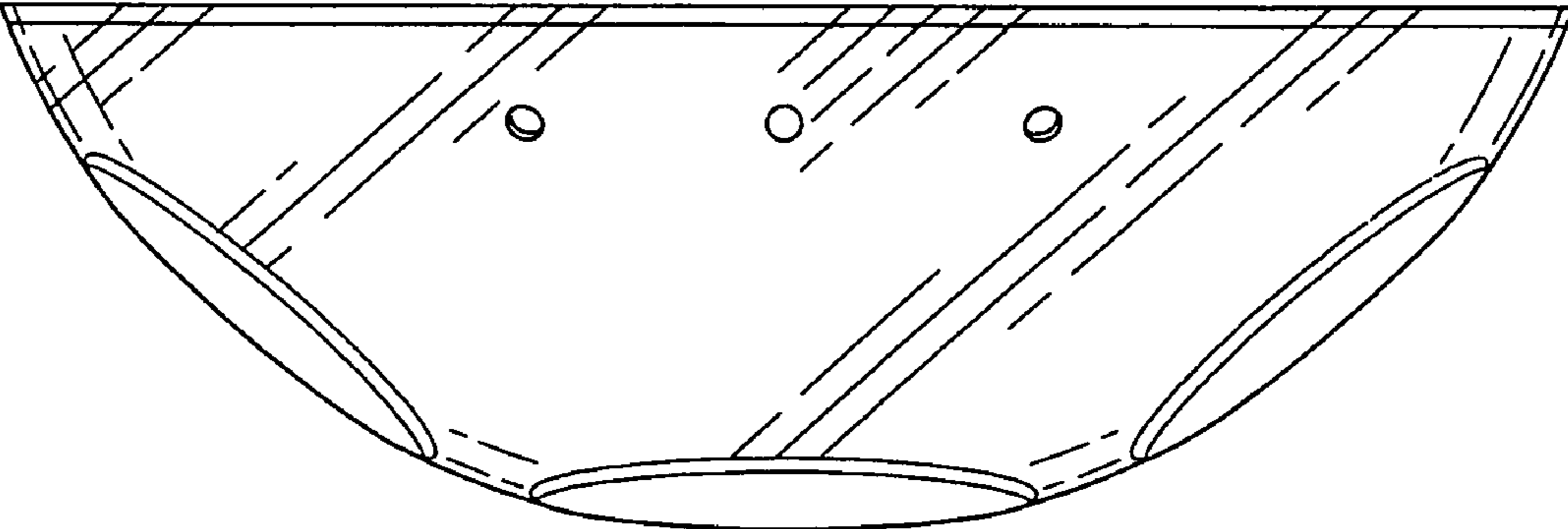


FIG. 5

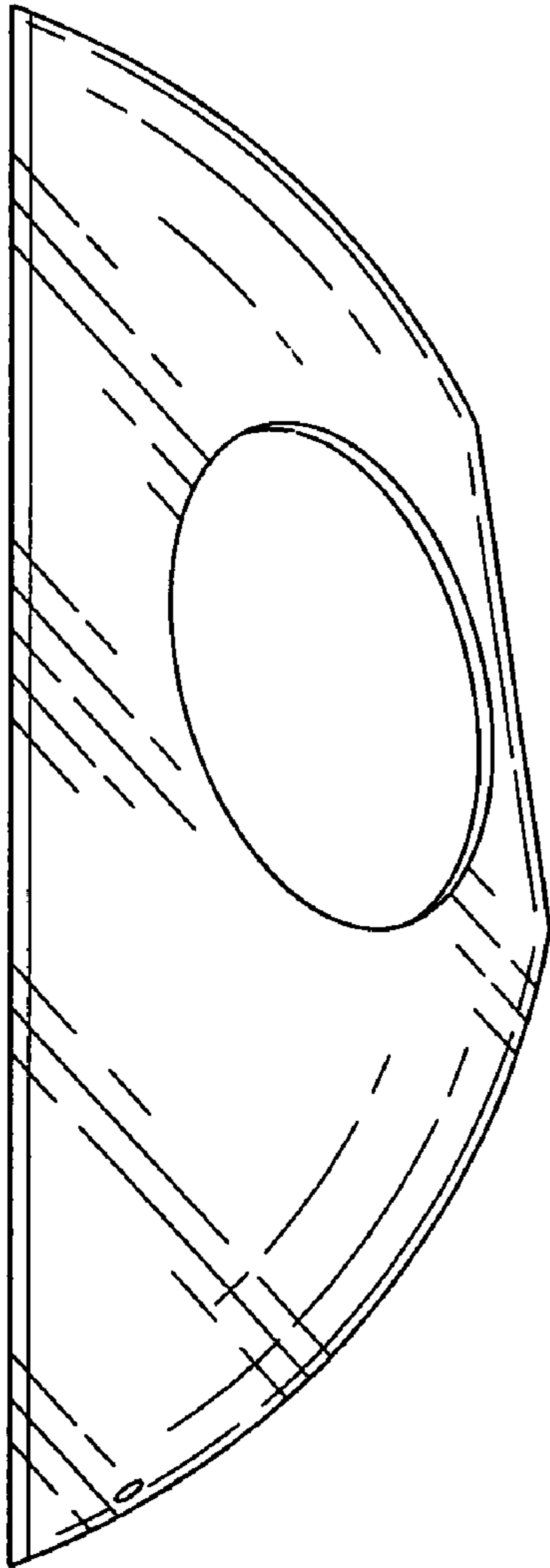


FIG. 6

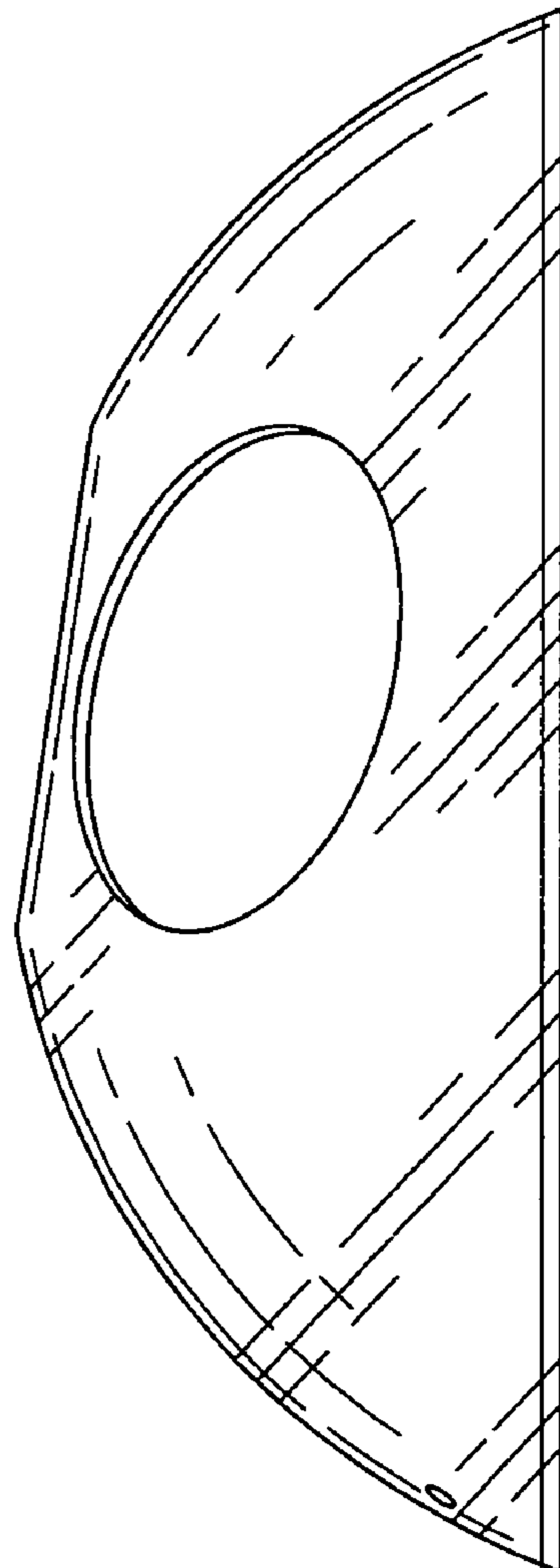


FIG. 7

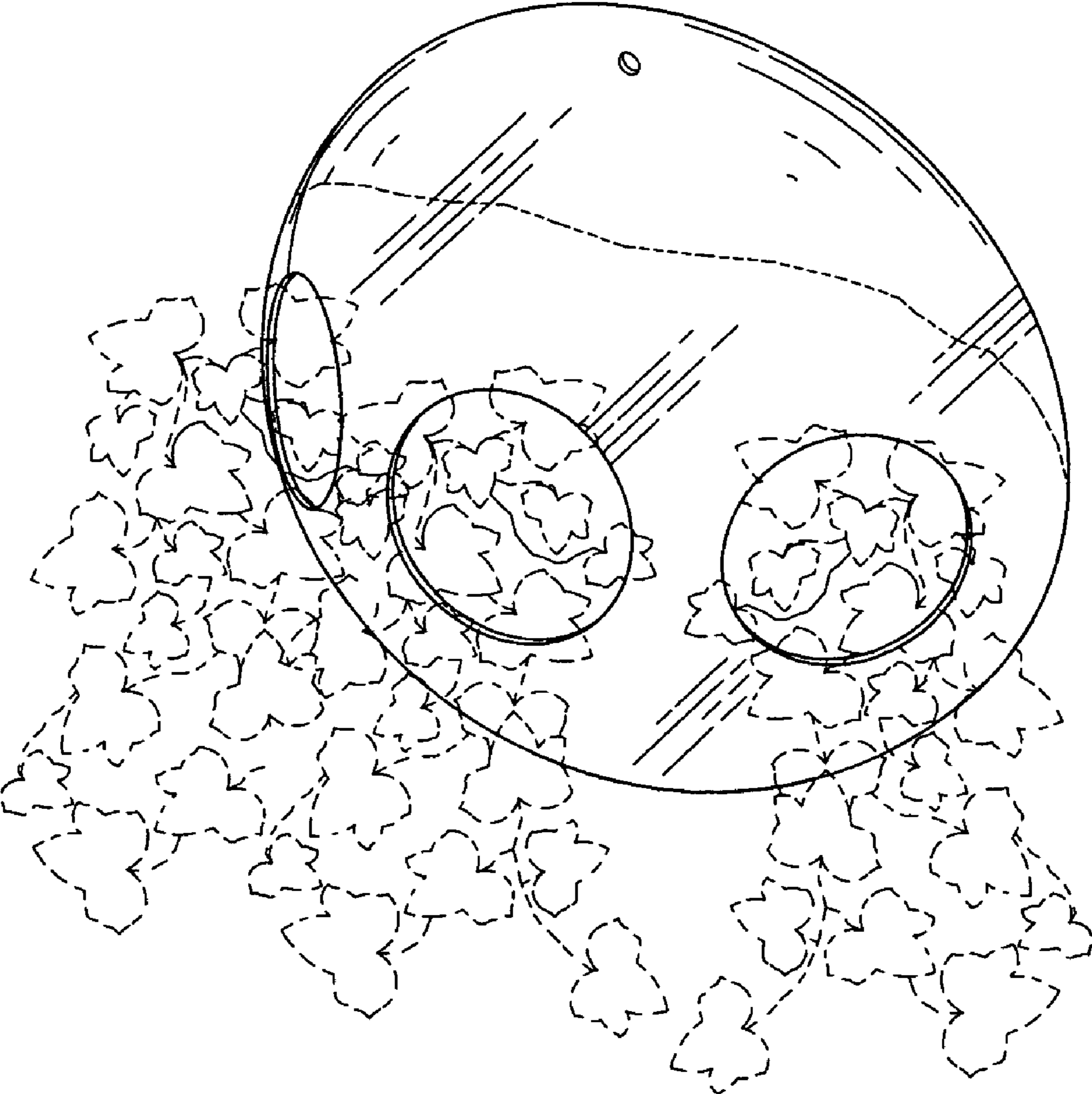


FIG. 8