



US00D638237S

(12) **United States Design Patent**
Holzer

(10) **Patent No.:** **US D638,237 S**

(45) **Date of Patent:** **** May 24, 2011**

(54) **FRONT PLATE**

(75) Inventor: **Andreas Holzer**, Dornbirn (AT)

(73) Assignee: **Julius Blum GmbH**, Hochst (AT)

(**) Term: **14 Years**

(21) Appl. No.: **29/375,584**

(22) Filed: **Sep. 24, 2010**

(30) **Foreign Application Priority Data**

Feb. 22, 2008 (EM) 883897-0001

Feb. 22, 2008 (EM) 883897-0002

Feb. 22, 2008 (EM) 883897-0003

(51) **LOC (9) Cl.** **06-06**

(52) **U.S. Cl.** **D6/510**

(58) **Field of Classification Search** D3/319;
D6/336, 432, 436, 441, 445-446, 448, 491,
D6/509-511, 629; D8/300, 313, 382; D14/183;
D25/121-122; D32/25; D34/27; 312/108,
312/109, 199, 204, 257.1, 297, 330.1, 333,
312/348.2-348.4

See application file for complete search history.

(56) **References Cited**

U.S. PATENT DOCUMENTS

1,172,189 A 2/1916 Bauer
1,734,171 A 11/1929 Lineberger
2,730,292 A 1/1956 Jonas et al.
2,842,420 A 7/1958 Hansen et al.

(Continued)

FOREIGN PATENT DOCUMENTS

WO WO 2006037419 A1 * 4/2006

Primary Examiner — Ricky Pham

(74) *Attorney, Agent, or Firm* — Wenderoth, Lind & Ponack,
L.L.P.

(57) **CLAIM**

The ornamental design for a front plate, as shown and described.

DESCRIPTION

FIG. 1 is a front perspective view of a front plate of a first embodiment;

FIG. 2 is a back perspective view of the front plate of the first embodiment;

FIG. 3 is a bottom view of the front plate of the first embodiment;

FIG. 4 is a top view of the front plate of the first embodiment;

FIG. 5 is a front view of the front plate of the first embodiment;

FIG. 6 is a back view of the front plate of the first embodiment;

FIG. 7 is a left side view of the front plate of the first embodiment;

FIG. 8 is a right side view of the front plate of the first embodiment;

FIG. 9 is an environment perspective view of the front plate of the first embodiment;

FIG. 10 is a front perspective view of the front plate of a second embodiment;

FIG. 11 is a back perspective view of the front plate of the second embodiment;

FIG. 12 is a bottom view of the front plate of the second embodiment;

FIG. 13 is a top view of the front plate of the second embodiment;

FIG. 14 is a front view of the front plate of the second embodiment;

FIG. 15 is a back view of the front plate of the second embodiment;

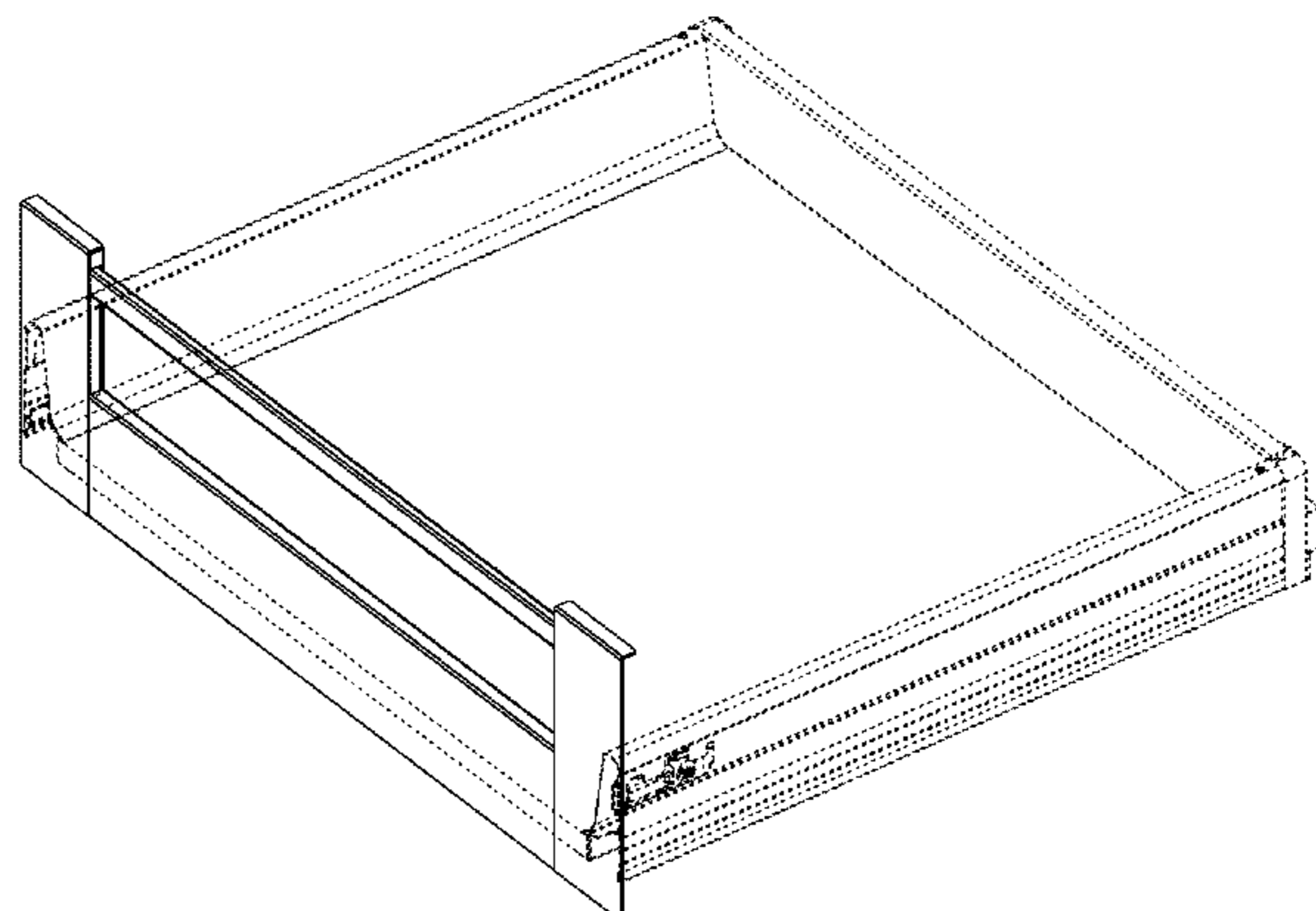
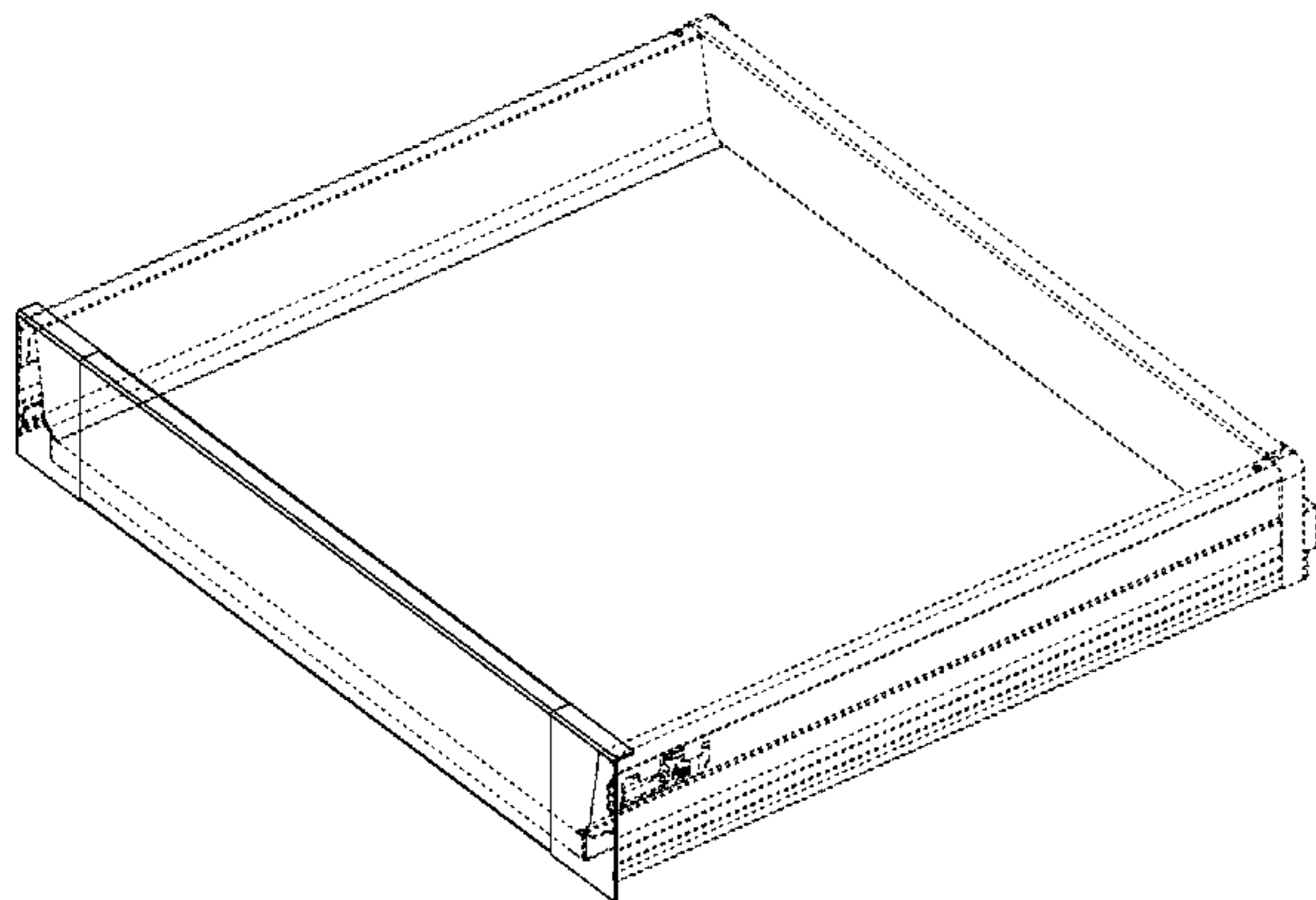
FIG. 16 is a left side view of the front plate of the second embodiment;

FIG. 17 is a right side view of the front plate of the second embodiment; and,

FIG. 18 is an environment perspective view of the front plate of the second embodiment.

The features shown in broken lines form no portion of the claimed design.

1 Claim, 8 Drawing Sheets



US D638,237 S

Page 2

U.S. PATENT DOCUMENTS

3,767,281	A	10/1973	Adams				
3,933,402	A	1/1976	Peterson				
4,042,288	A *	8/1977	Litchfield	312/348.2		
4,440,460	A *	4/1984	Brighoff	312/348.4		
D278,664	S *	5/1985	Ferdinand et al.	D6/510		
D287,907	S *	1/1987	Yu	D6/629		
D298,708	S *	11/1988	Nygren	D6/491		
4,861,123	A *	8/1989	Russell	312/330.1		
D326,381	S	5/1992	Heiligenthal et al.				
5,161,870	A	11/1992	Mason et al.				
D334,680	S *	4/1993	Rock et al.	D6/510		
D335,409	S	5/1993	Kellems				
D425,734	S *	5/2000	Bauer	D6/491		
D458,780	S	6/2002	Siepmann et al.				
D462,674	S *	9/2002	Siepmann et al.	D14/183		
D482,802	S *	11/2003	Yates, Jr.	D25/121		
D507,355	S *	7/2005	Fischer	D25/122		
D523,667	S *	6/2006	Bisson	D6/510		
D529,254	S *	9/2006	Huguet	D34/27		
D540,999	S *	4/2007	Huguet et al.	D34/27		
D554,486	S *	11/2007	Emblin	D8/382		
D565,874	S *	4/2008	Oura et al.	D6/510		
D572,512	S *	7/2008	Kampl	D6/510		
D577,936	S *	10/2008	Held	D6/510		
7,469,979	B2	12/2008	Tupper et al.				
D599,145	S *	9/2009	Daino et al.	D6/510		
D604,141	S *	11/2009	Reed et al.	D8/313		
D605,882	S	12/2009	Bohler				
D617,583	S *	6/2010	Daino	D6/491		
D625,941	S *	10/2010	Holzer	D6/510		
2007/0096607	A1	5/2007	Ricchetti et al.				
2008/0061665	A1 *	3/2008	Lautenschlager	312/333		

* cited by examiner

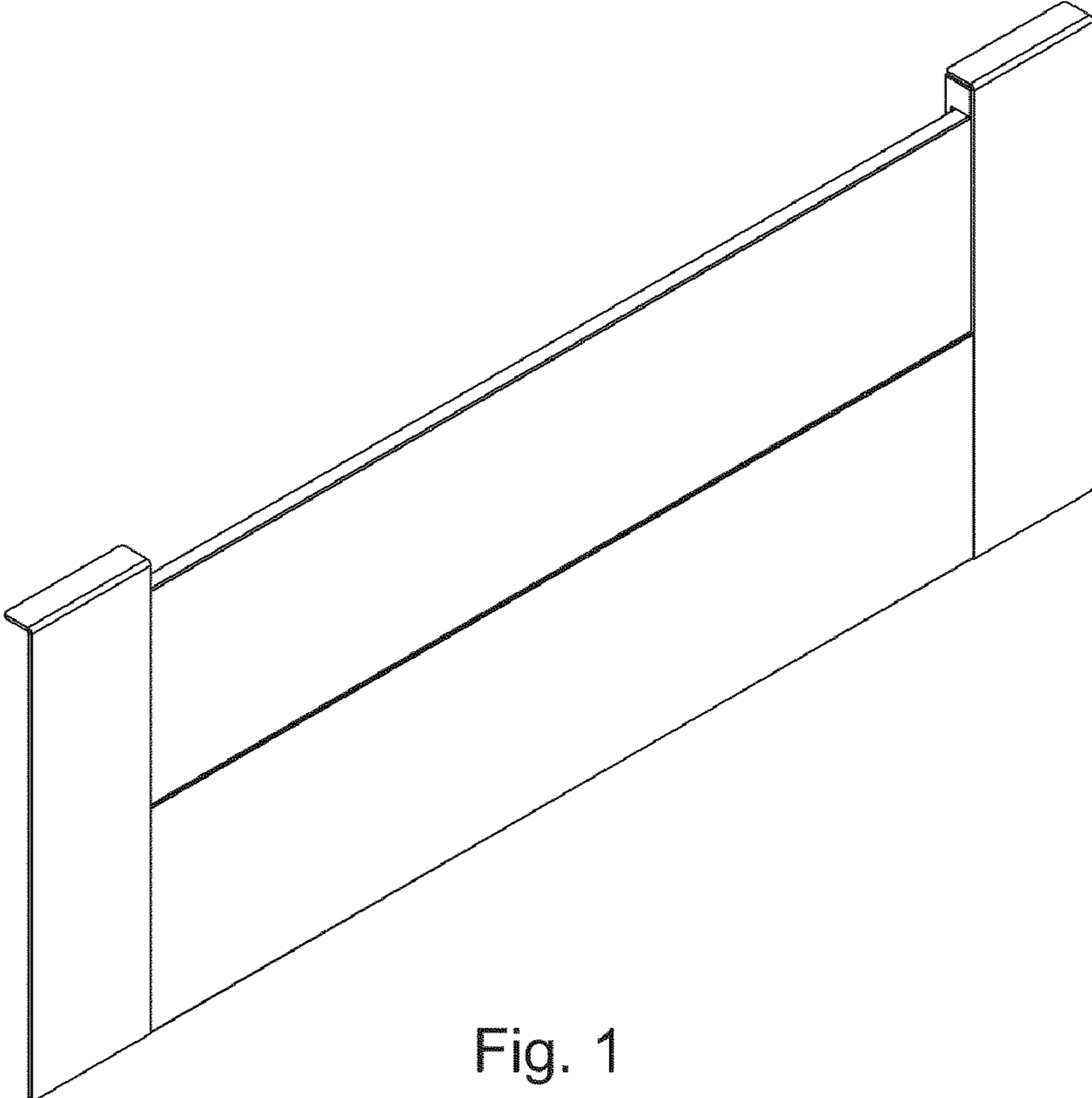


Fig. 1

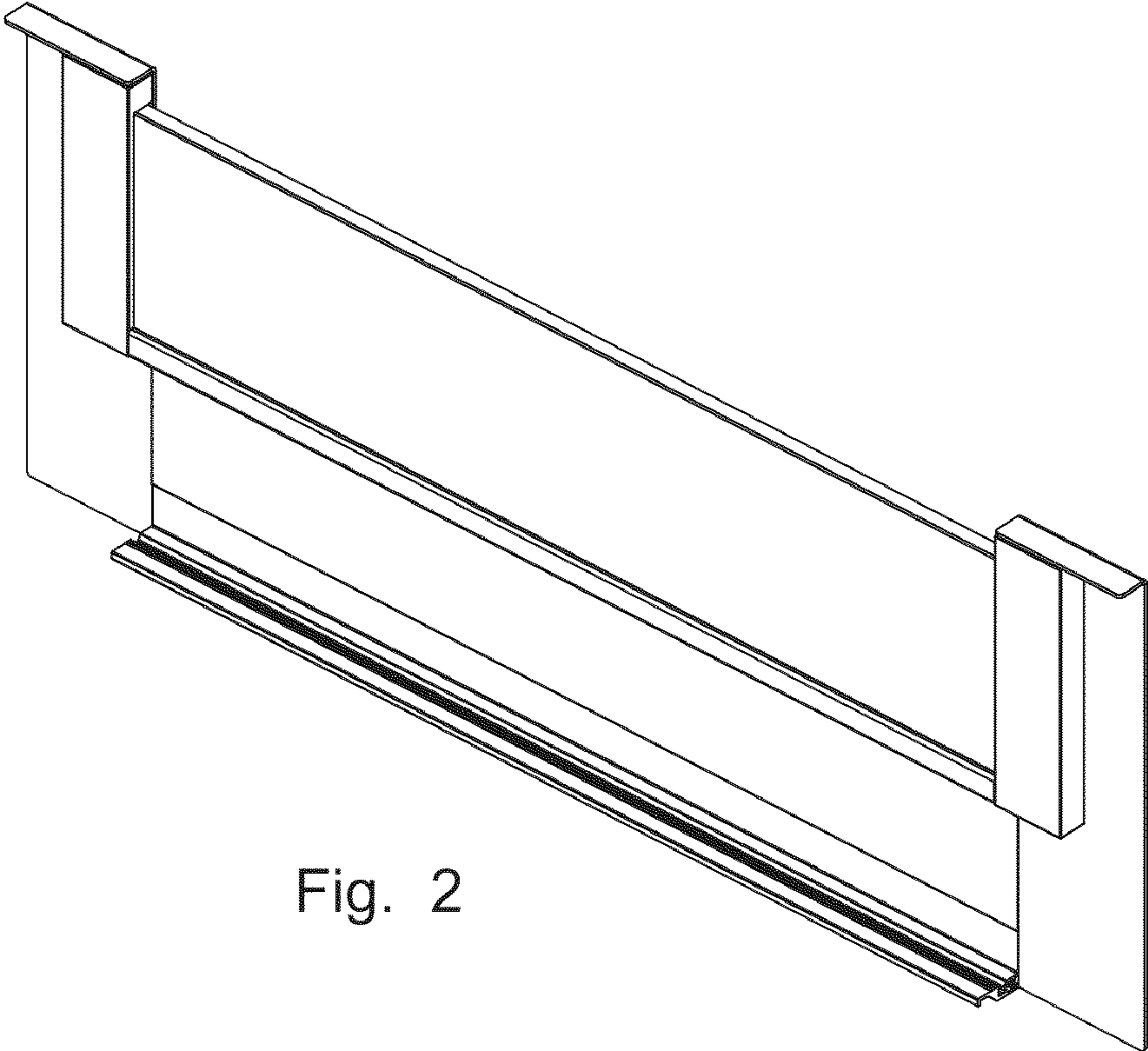


Fig. 2

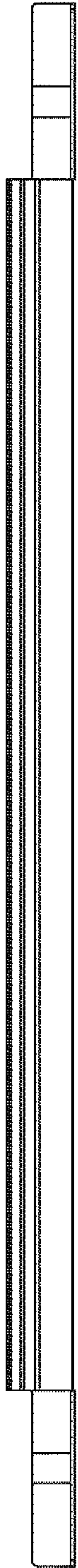


Fig. 3

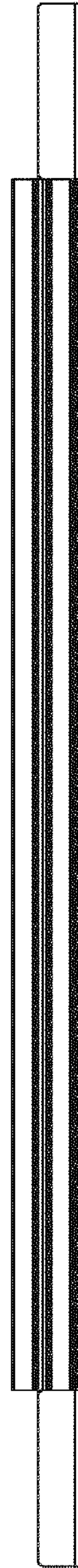


Fig. 4

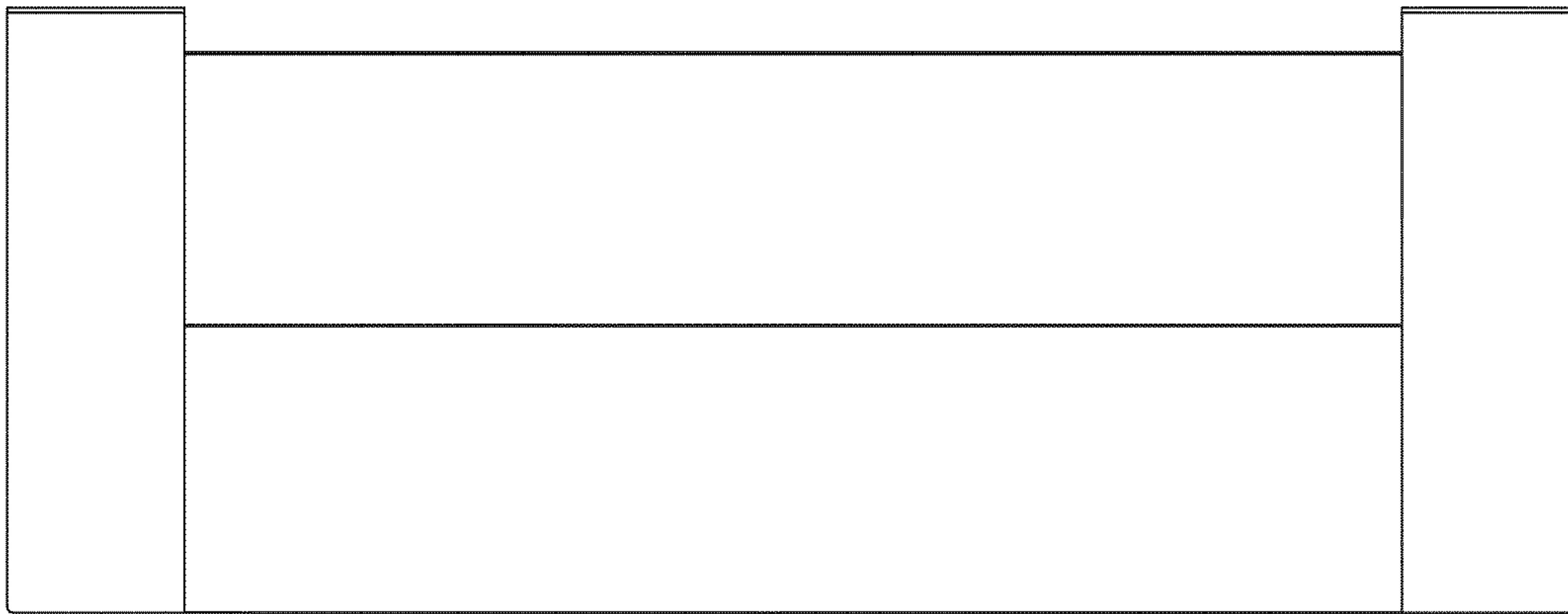


Fig. 5

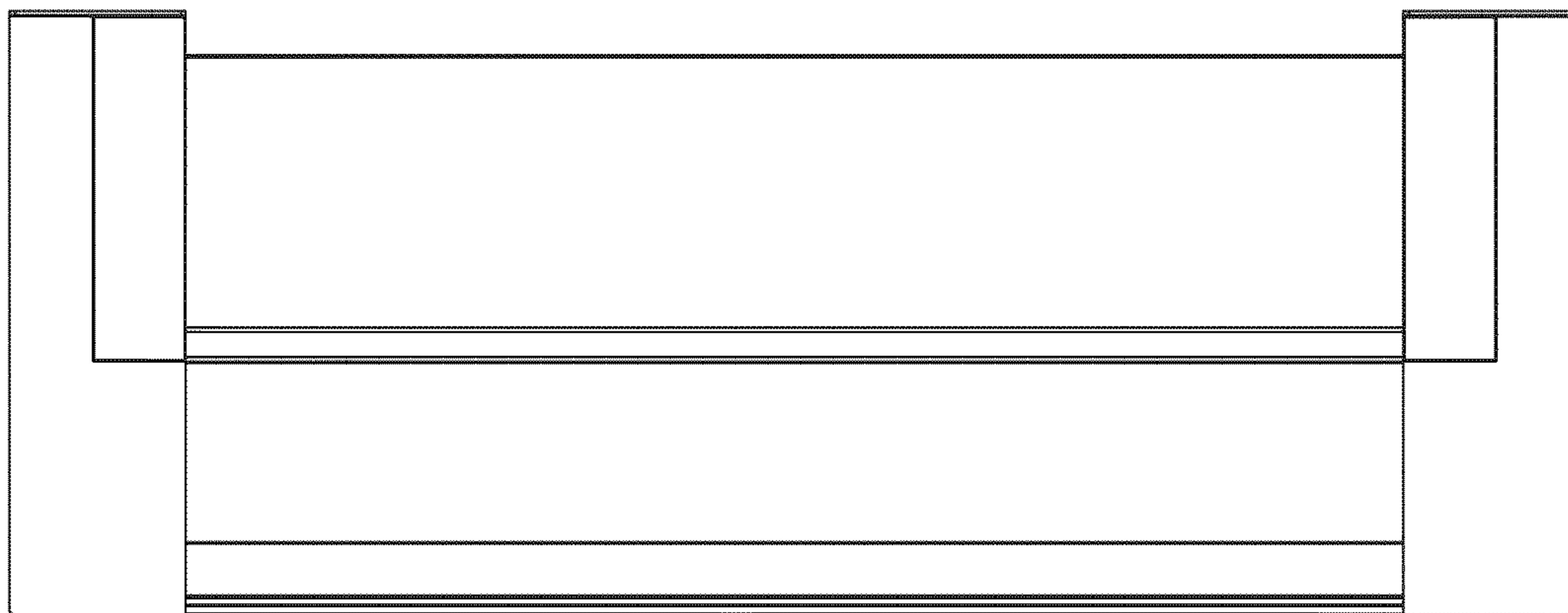
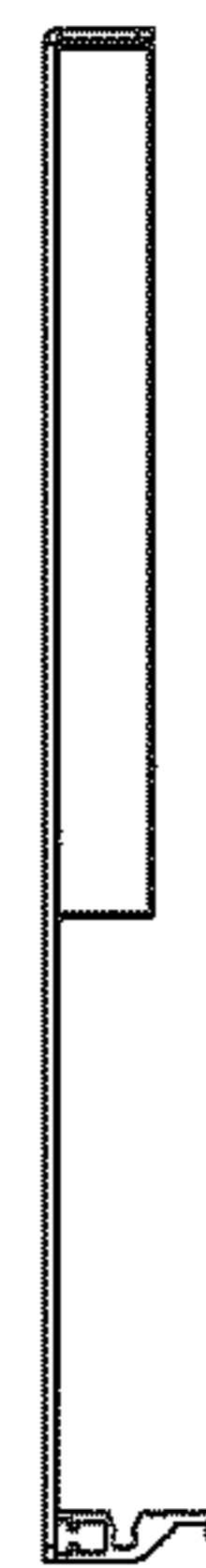


Fig. 6

Fig. 7



Fig. 8



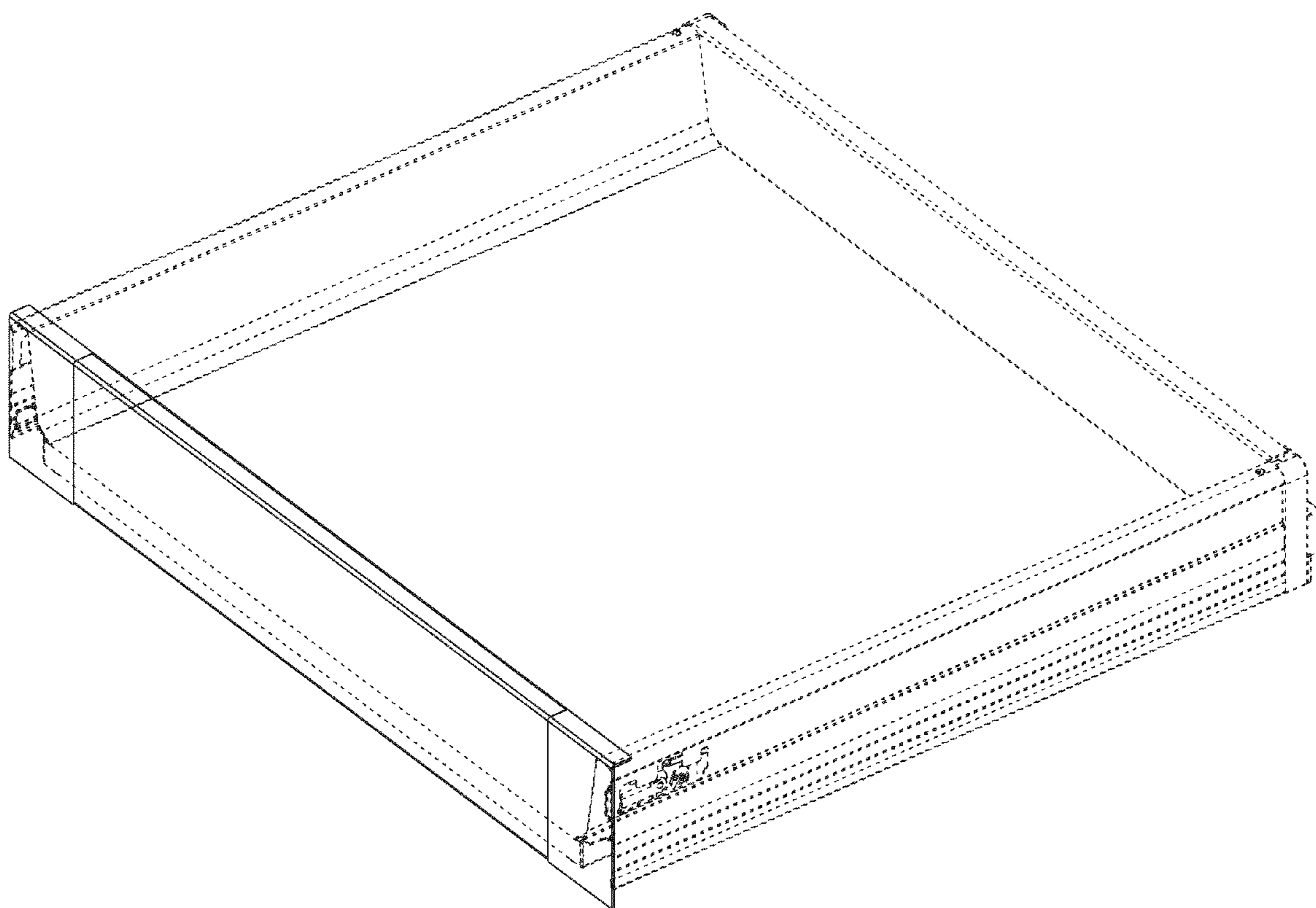


Fig. 9

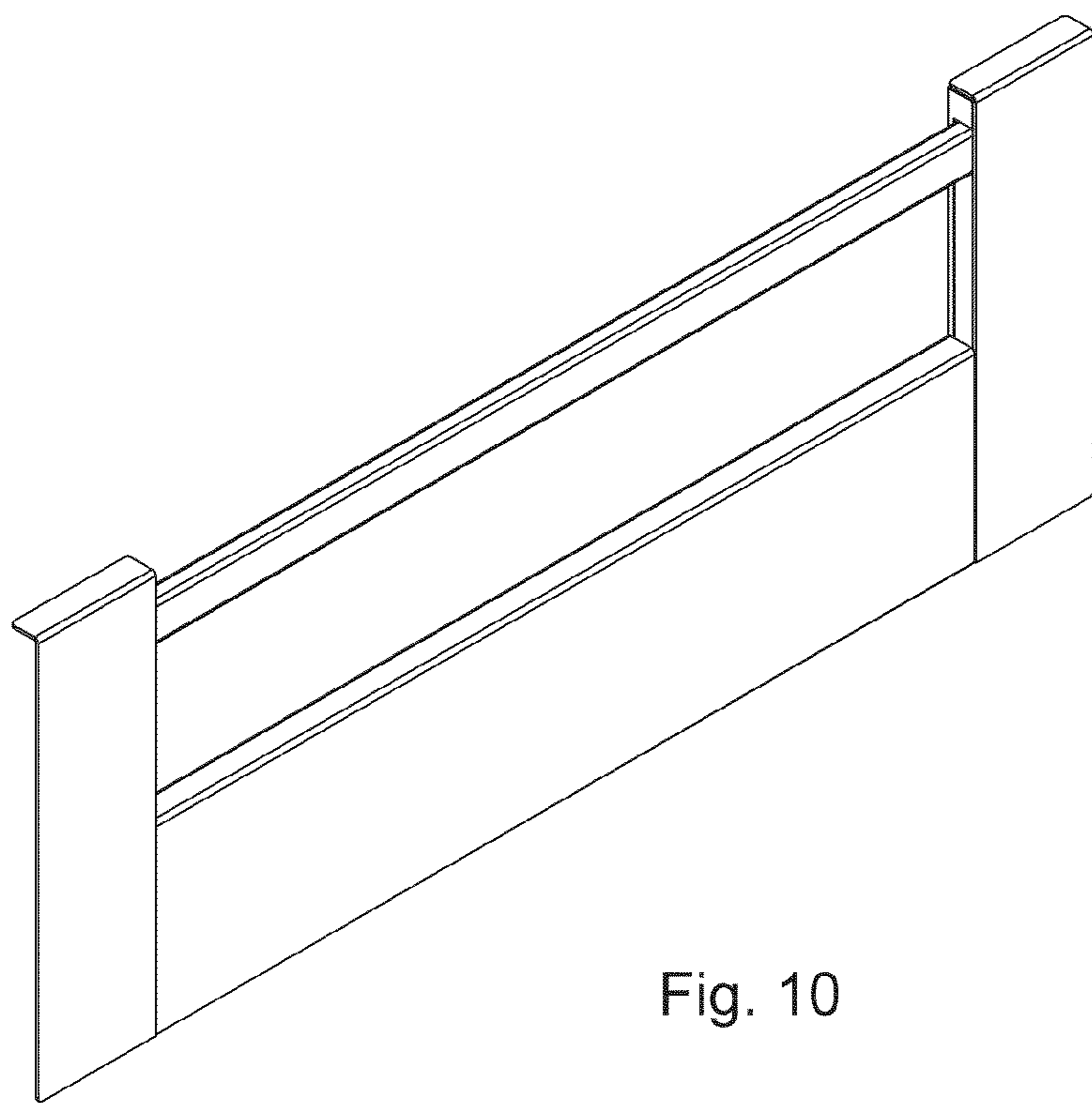


Fig. 10

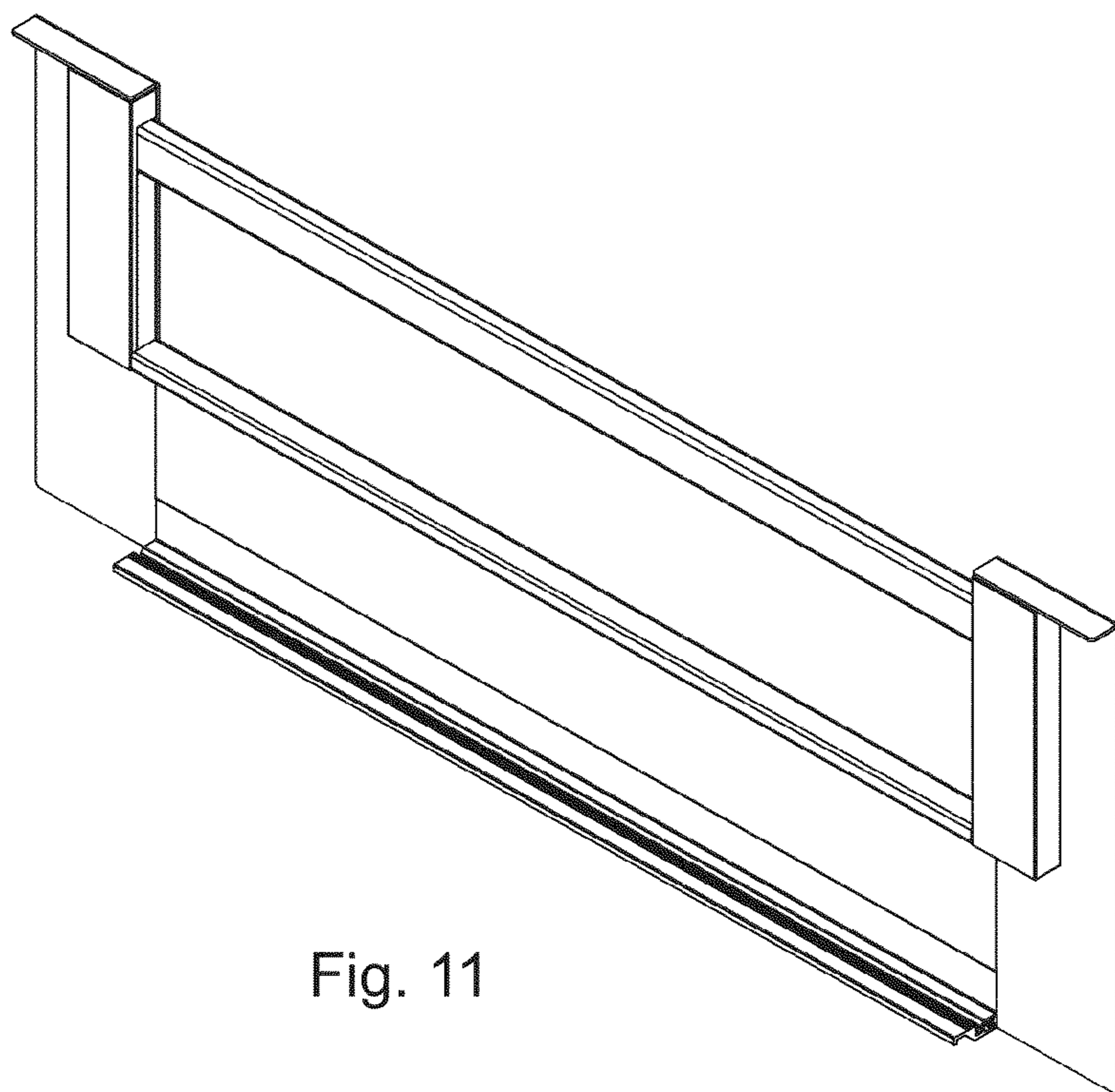


Fig. 11

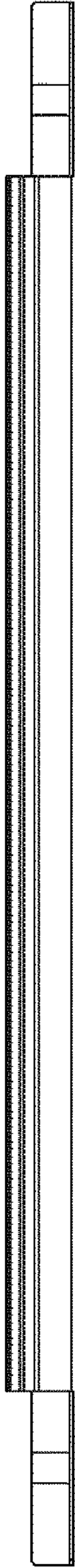


Fig. 12



Fig. 13

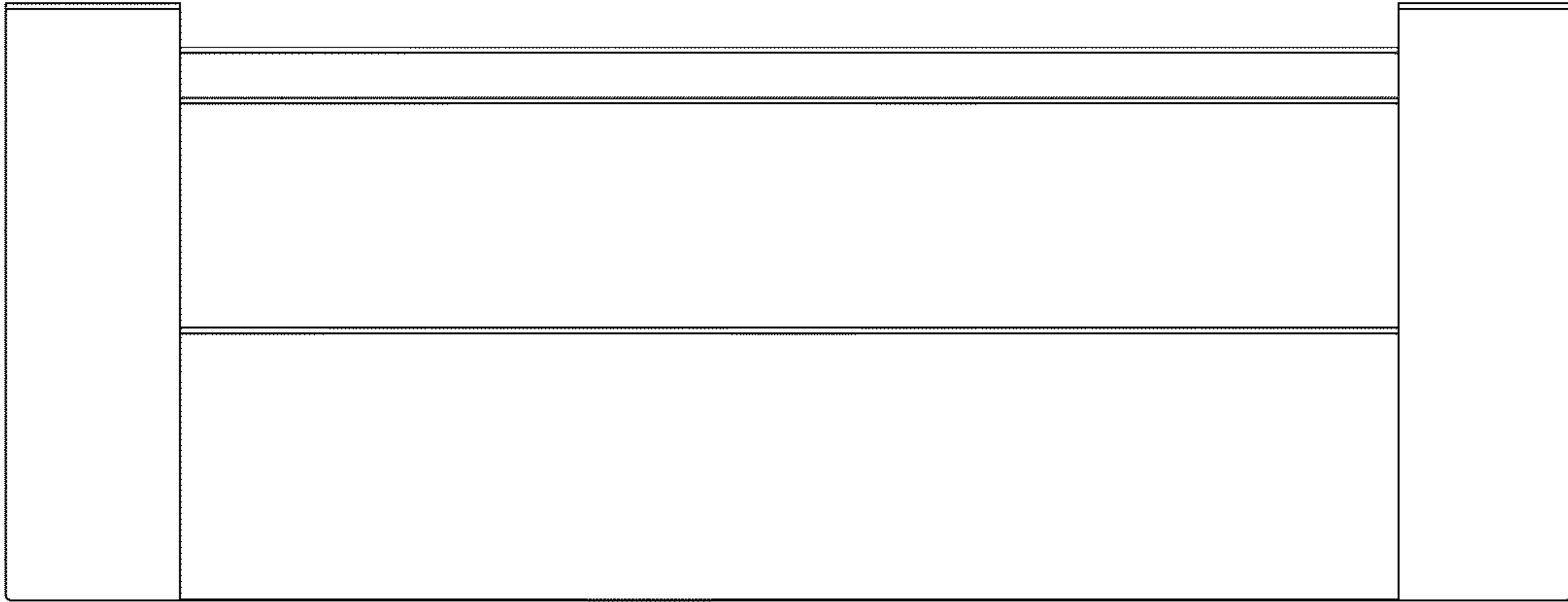


Fig. 14

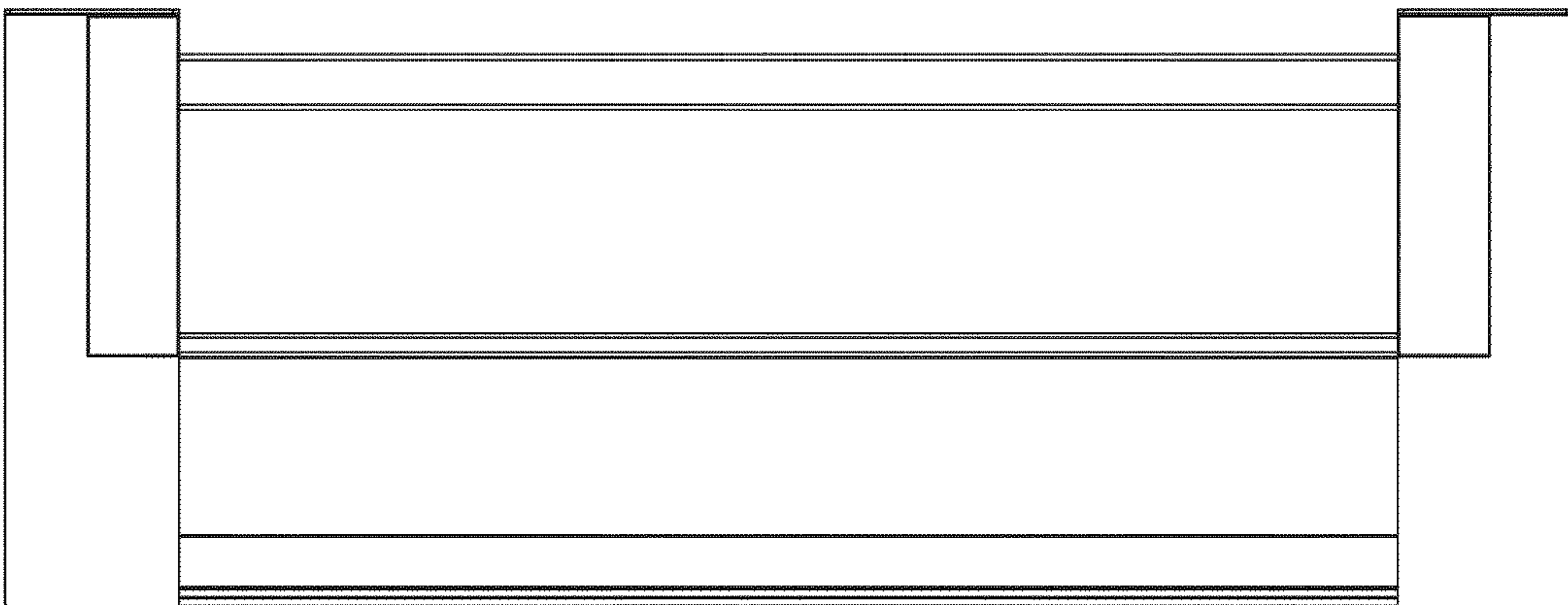
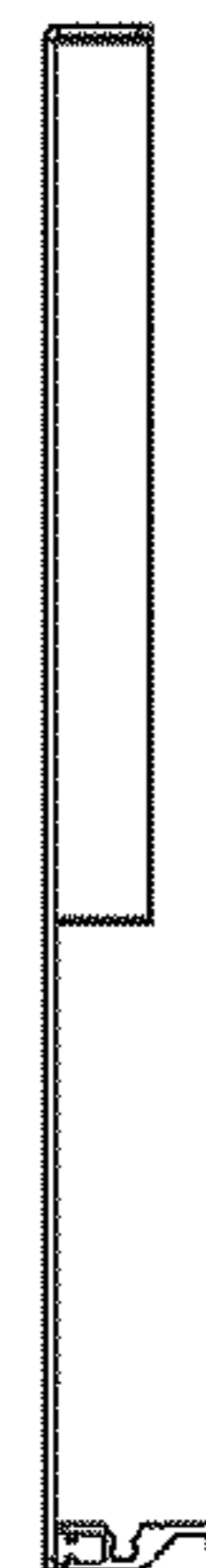


Fig. 15

Fig. 16



Fig. 17



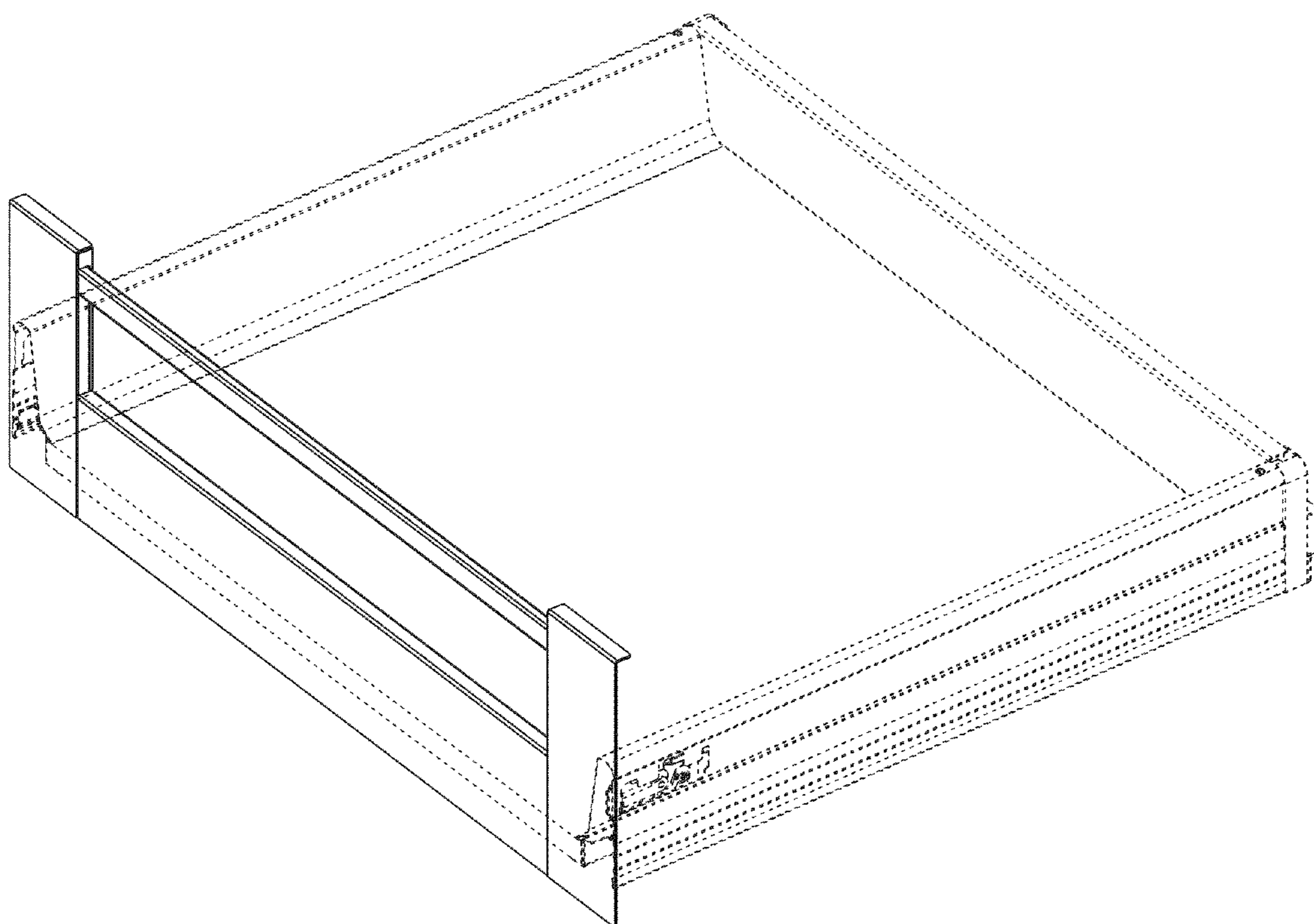


Fig. 18