

US00D638235S

(12) **United States Design Patent**
Roy

(10) **Patent No.:** **US D638,235 S**
(45) **Date of Patent:** **** May 24, 2011**

(54) **CHAIR FRAME**

(75) Inventor: **Leif Robert John Roy**, Lower Hutt (NZ)

(73) Assignee: **Formway Furniture Limited**,
Wellington (NZ)

(**) Term: **14 Years**

(21) Appl. No.: **29/356,358**

(22) Filed: **Feb. 24, 2010**

(51) **LOC (9) Cl.** **06-06**

(52) **U.S. Cl.** **D6/498**

(58) **Field of Classification Search** D6/334-336,
D6/364-367, 376, 379-380, 499-502; 297/284.4,
297/300.2, 411.27, 411.36, 452.13, 452.18,
297/452.29, 452.3, 452.46, 452.64

See application file for complete search history.

(56) **References Cited**

U.S. PATENT DOCUMENTS

D143,982 S *	2/1946	Michelson	D6/334
D270,318 S *	8/1983	Murry	D6/499
D282,800 S *	3/1986	Sorensen	D6/500
D282,985 S *	3/1986	Cronk	D6/373
D299,293 S *	1/1989	Nelson	D6/372
D301,190 S *	5/1989	Levine	D6/498
D375,008 S *	10/1996	Cone	D6/495
D390,025 S *	2/1998	Hoey	D6/374
D427,796 S *	7/2000	Smith	D6/373
D431,382 S *	10/2000	Eloge et al.	D6/368
D470,317 S *	2/2003	Roth	D6/334
D503,054 S *	3/2005	Olson	D6/499
D535,841 S *	1/2007	Egger	D6/501
D552,897 S *	10/2007	Joseph	D6/500
D558,493 S *	1/2008	Buchbinder	D6/500
D601,830 S *	10/2009	Egger	D6/502
D608,103 S *	1/2010	Adams et al.	D6/372

FOREIGN PATENT DOCUMENTS

EP 1 880 639 A1 1/2008

OTHER PUBLICATIONS

Zuco, Conference Meeting Seating Brochure, http://www.methisaustralia.com/docs/pdf/products/seating/Conference_Brochure.pdf, published at least as early as Feb. 23, 2010.

* cited by examiner

Primary Examiner — Elizabeth A Albert

Assistant Examiner — Kelley A Donnelly

(74) *Attorney, Agent, or Firm* — Workman Nydegger

(57) **CLAIM**

The ornamental design for a chair frame, as shown and described.

DESCRIPTION

FIG. 1 is a front elevational view of a chair frame showing my new design;

FIG. 2 is a left side elevational view thereof;

FIG. 3 is a rear elevational view thereof;

FIG. 4 is a right side elevational view thereof;

FIG. 5 is a top plan view thereof;

FIG. 6 is a perspective view thereof;

FIG. 7 is a front elevational view of the chair frame shown in FIG. 1 incorporated into a chair;

FIG. 8 is a left side elevational view thereof;

FIG. 9 is a rear elevational view thereof;

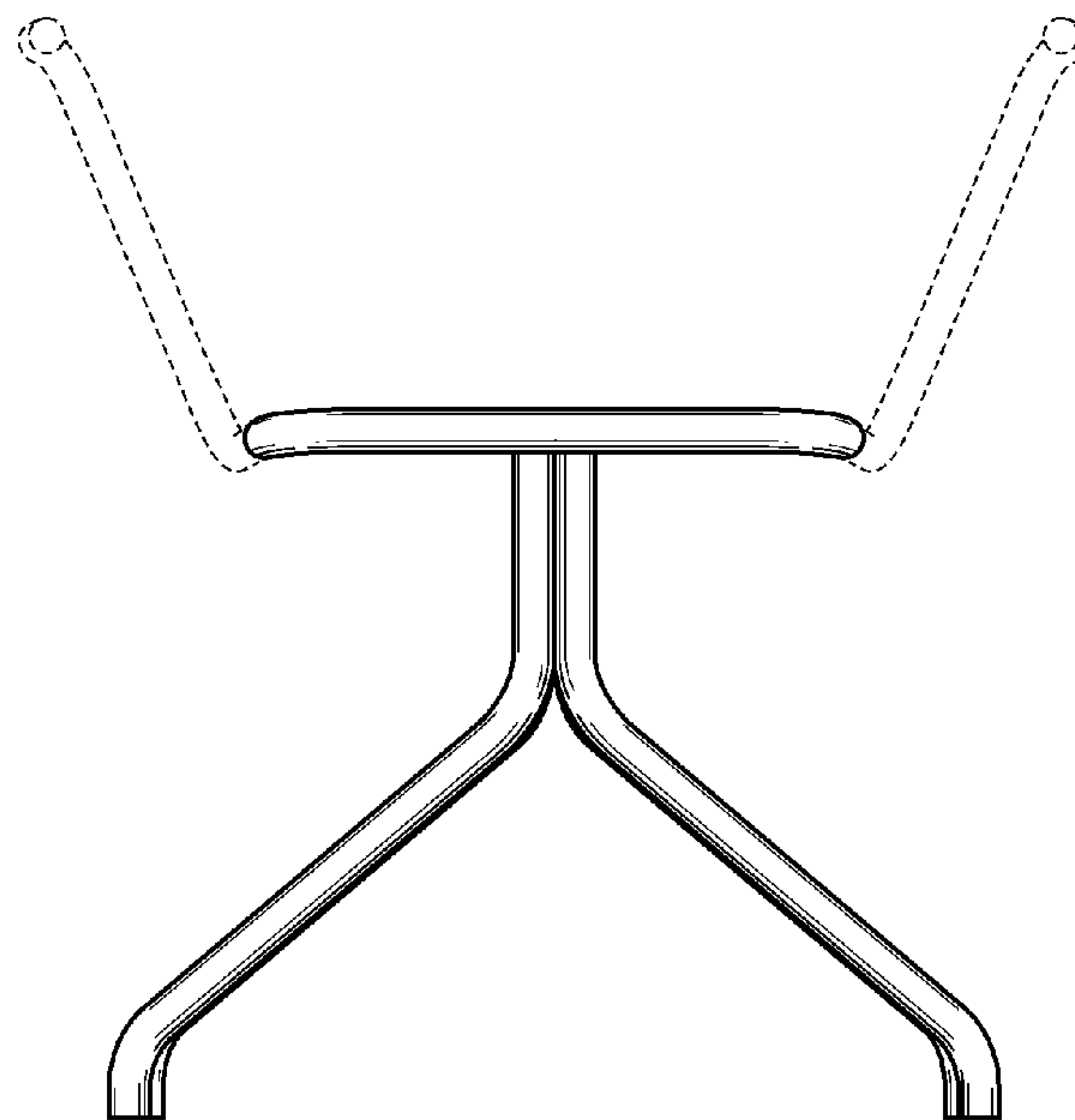
FIG. 10 is a right side elevational view thereof;

FIG. 11 is a top plan view thereof; and,

FIG. 12 is a perspective view thereof.

The broken line showing of components is for the purpose of illustrating environmental structure and forms no part of the claimed design.

1 Claim, 12 Drawing Sheets



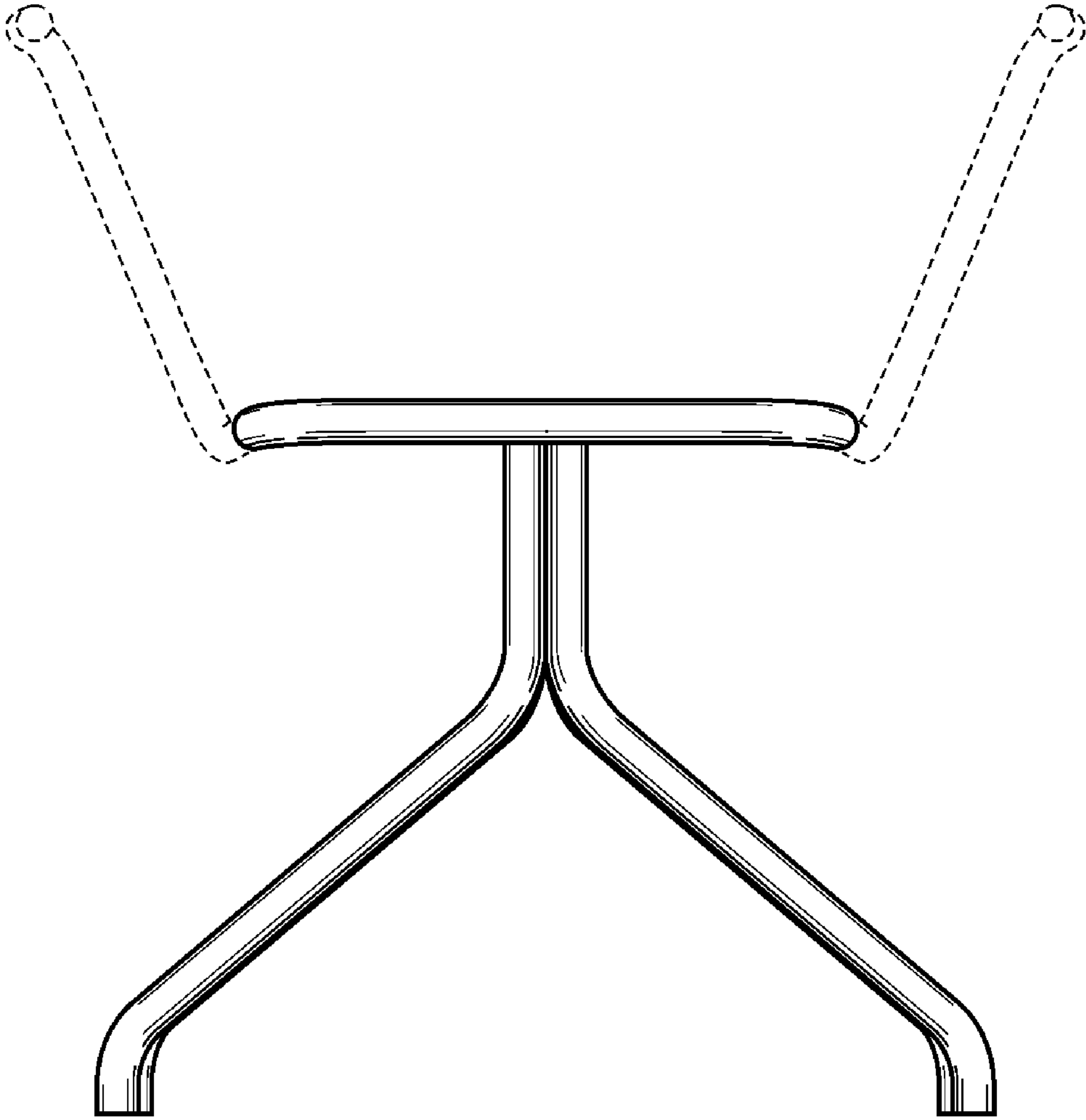


FIG.1

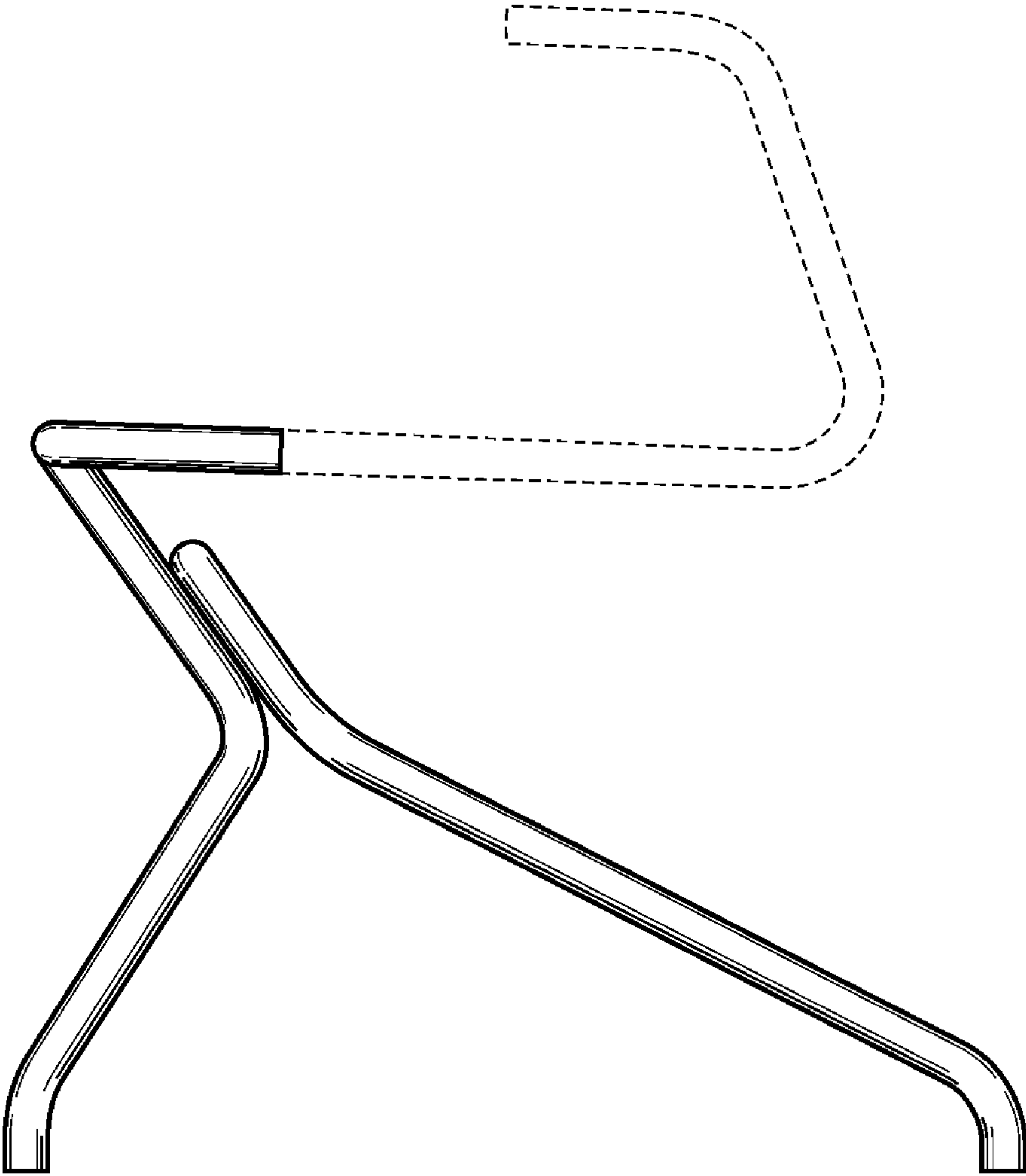


FIG. 2

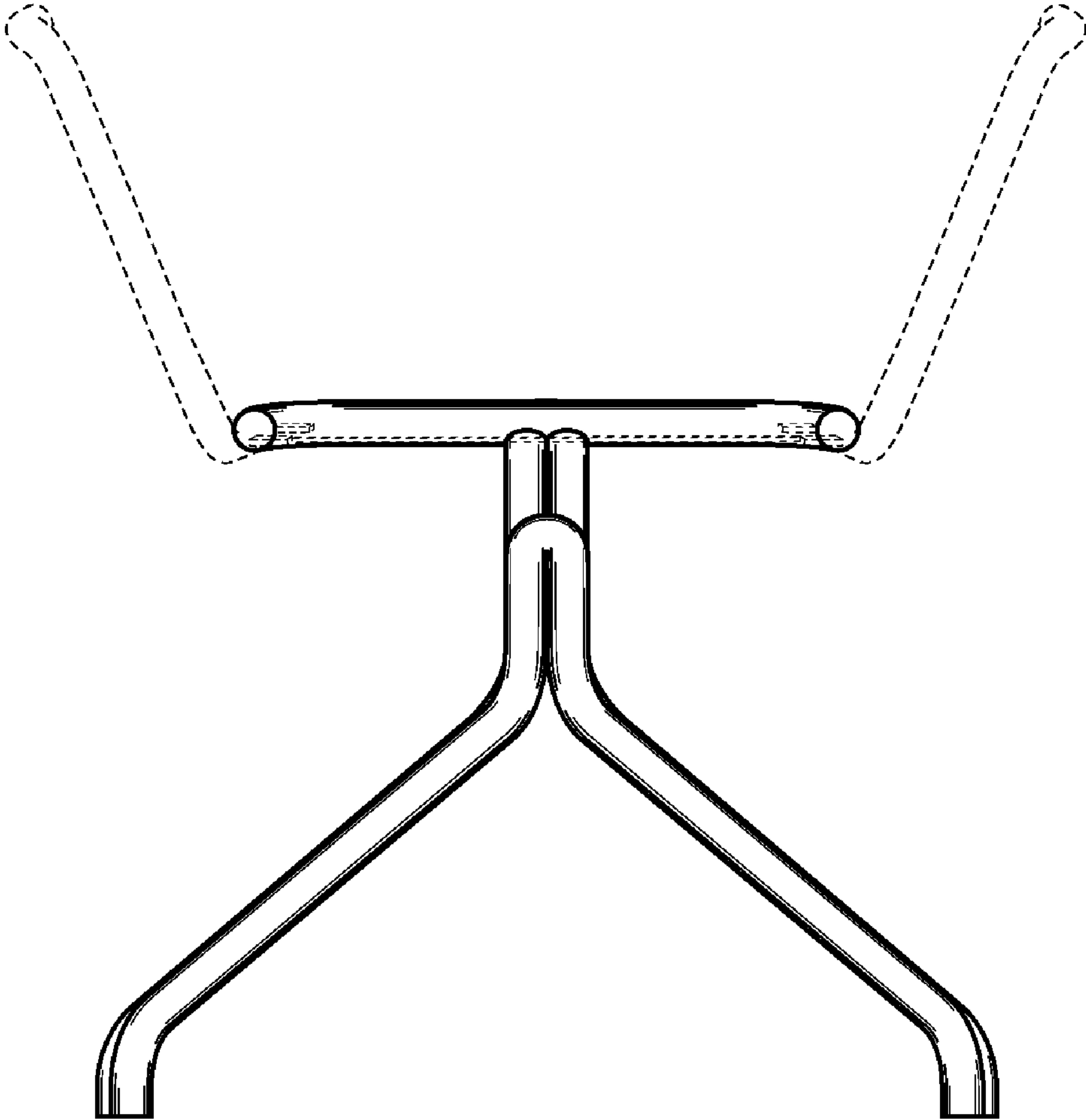


FIG. 3

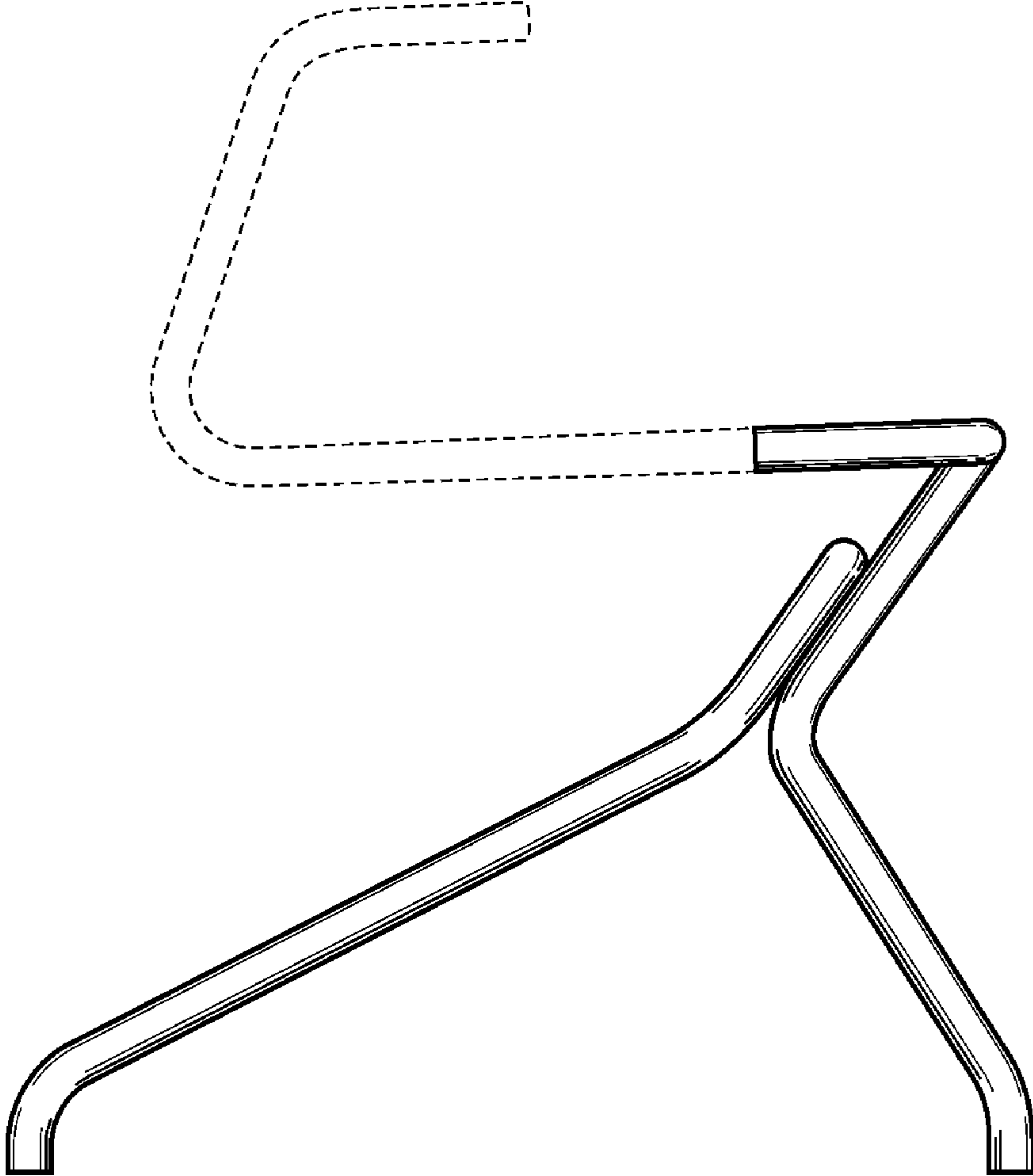


FIG. 4

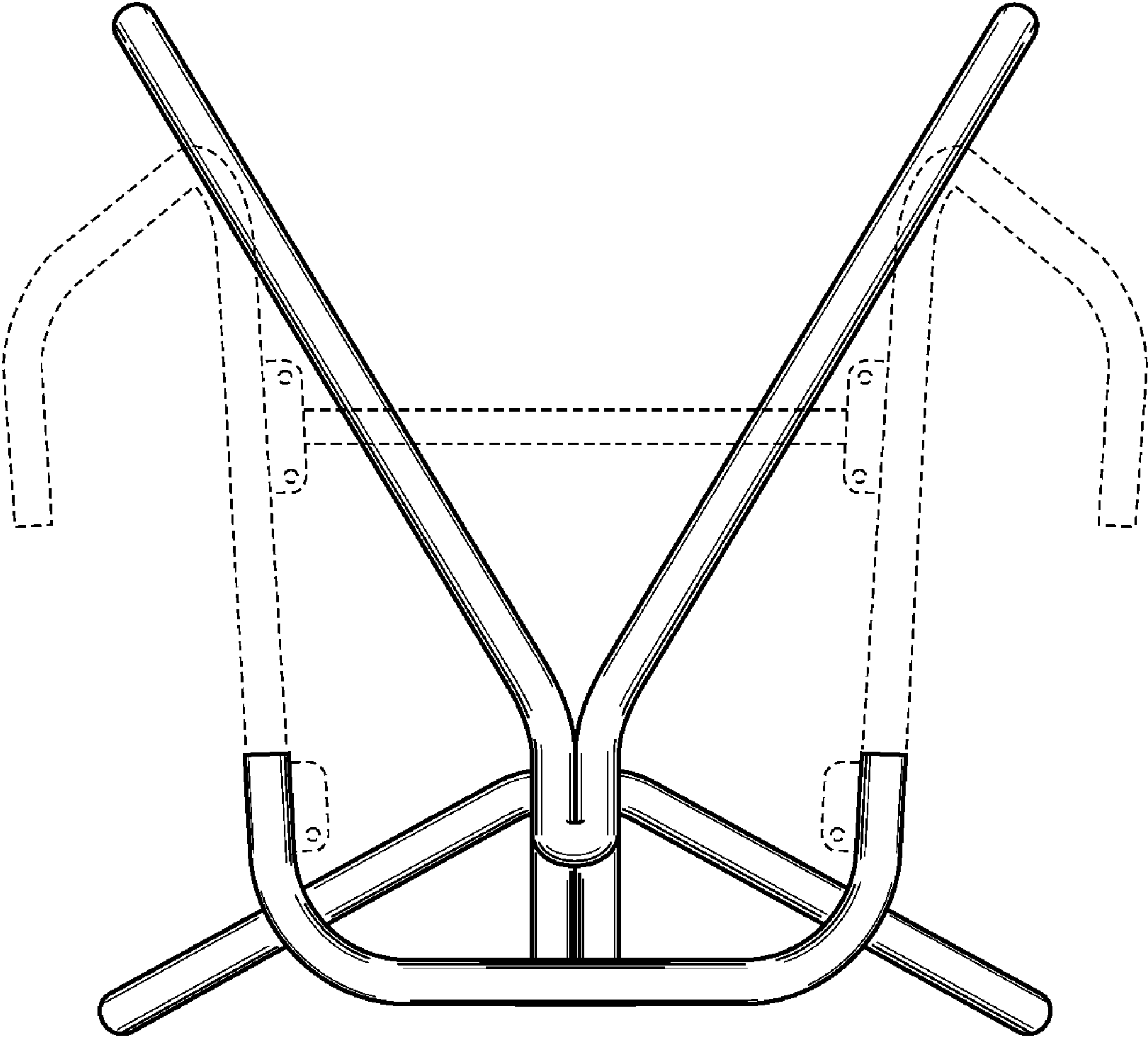


FIG. 5

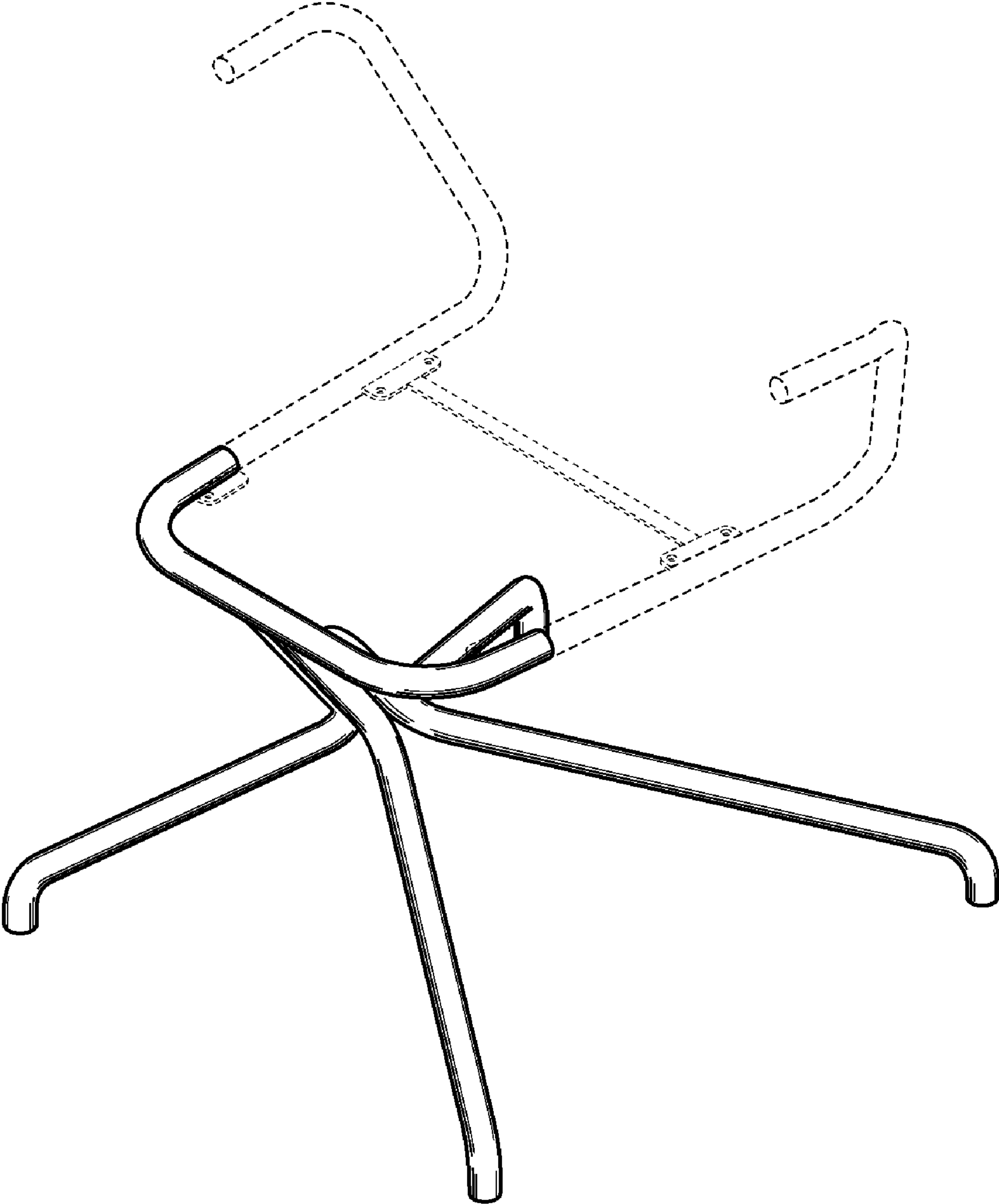


FIG. 6

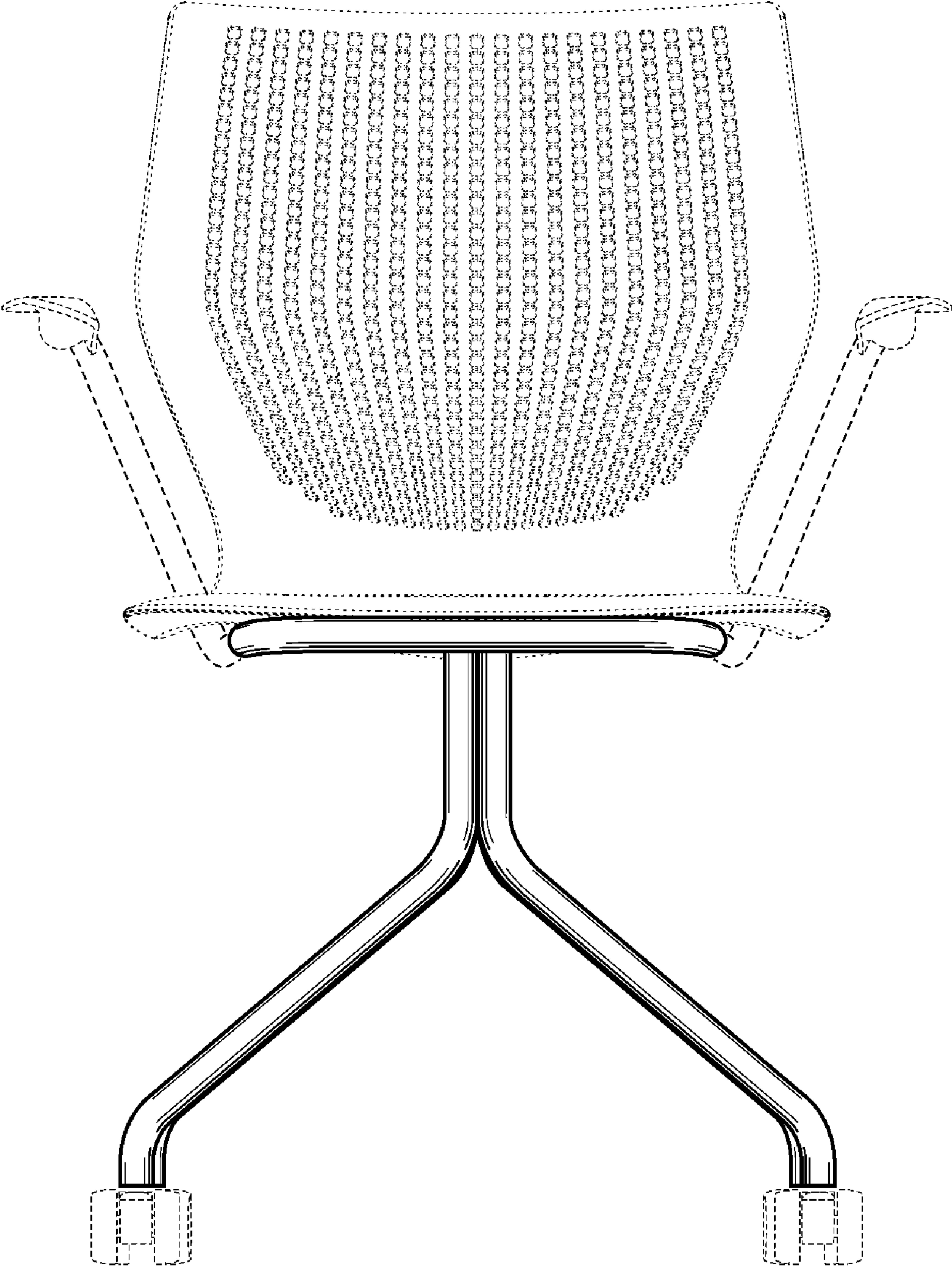


FIG. 7

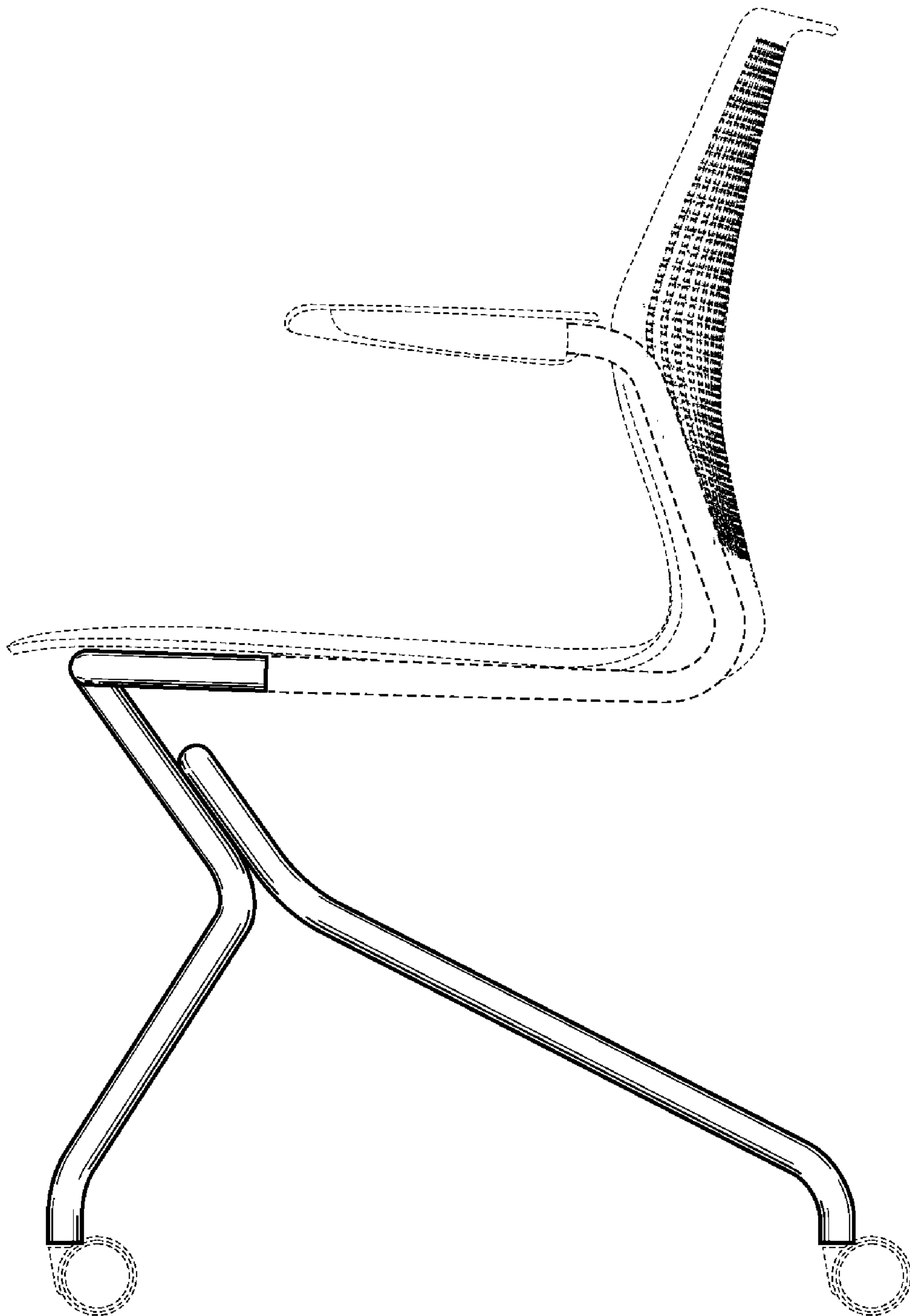


FIG. 8

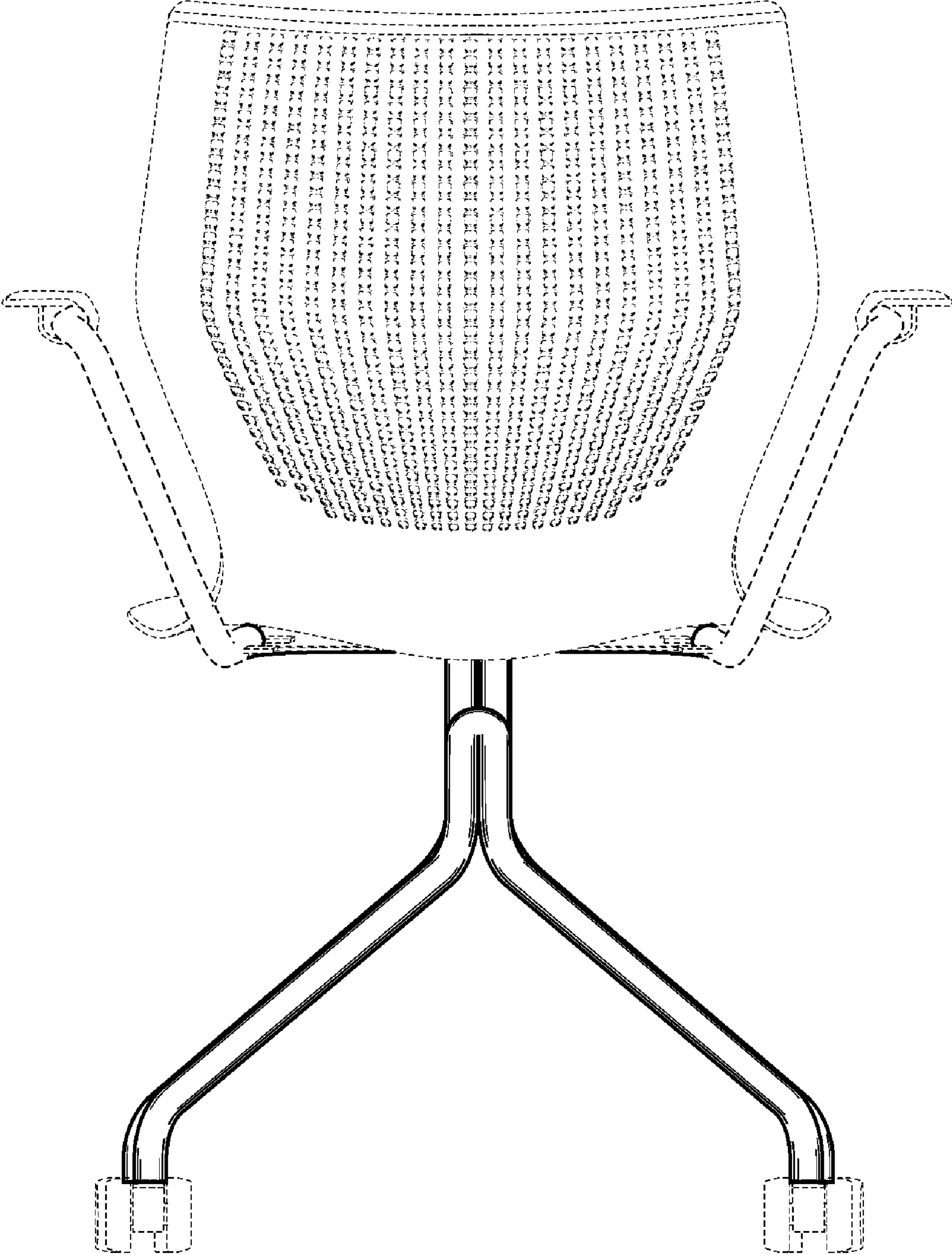


FIG. 9

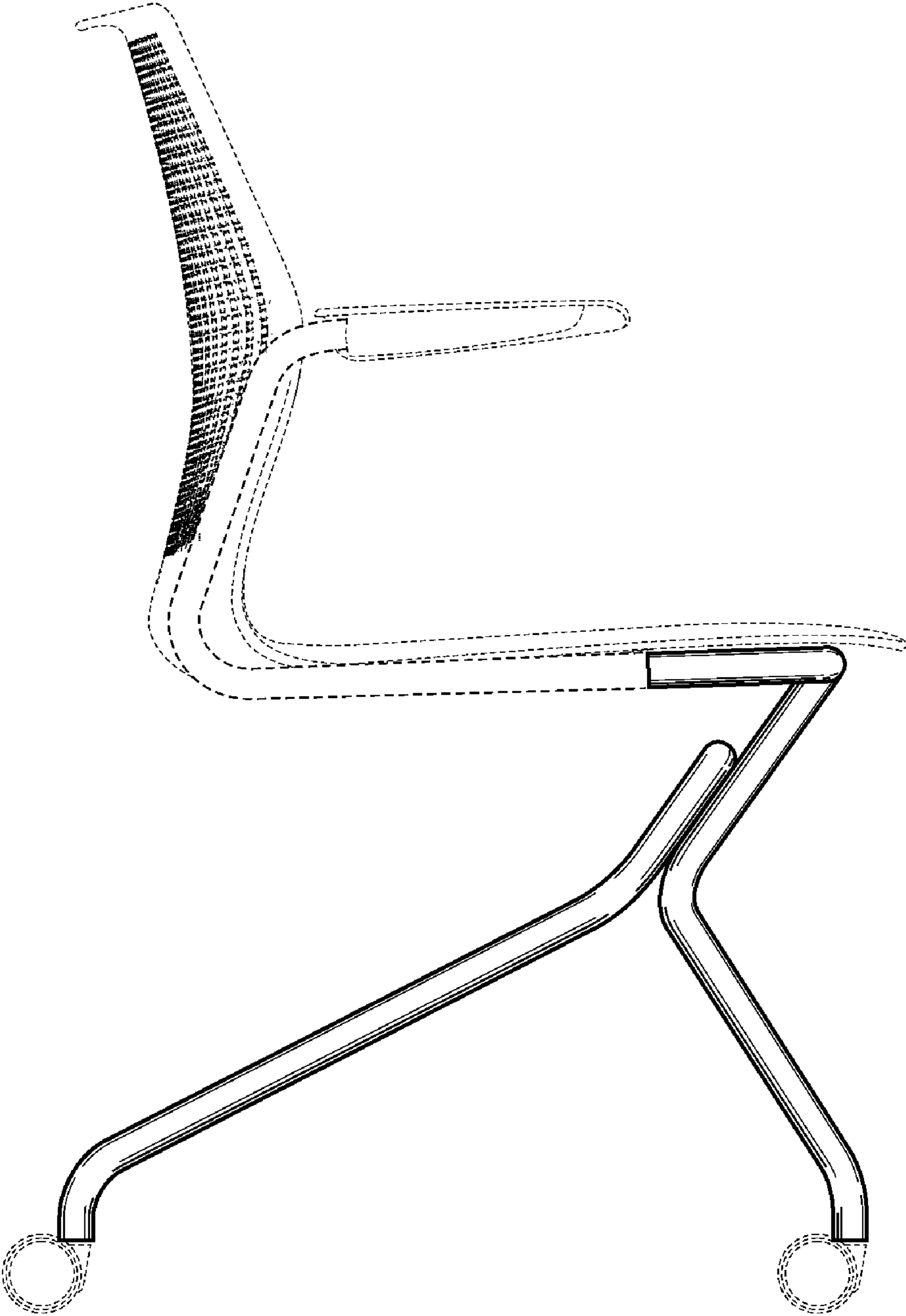


FIG. 10

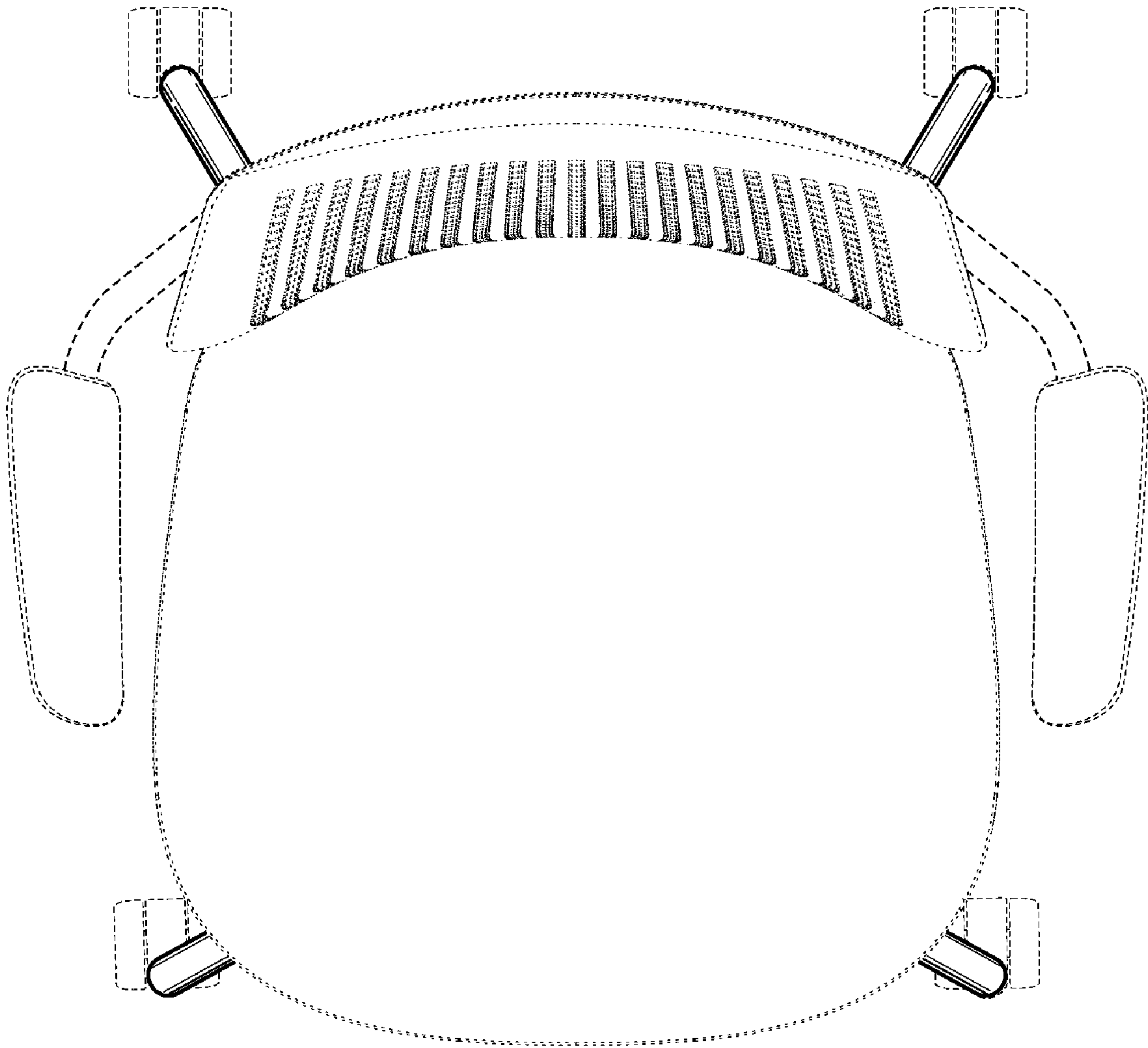


FIG. 11

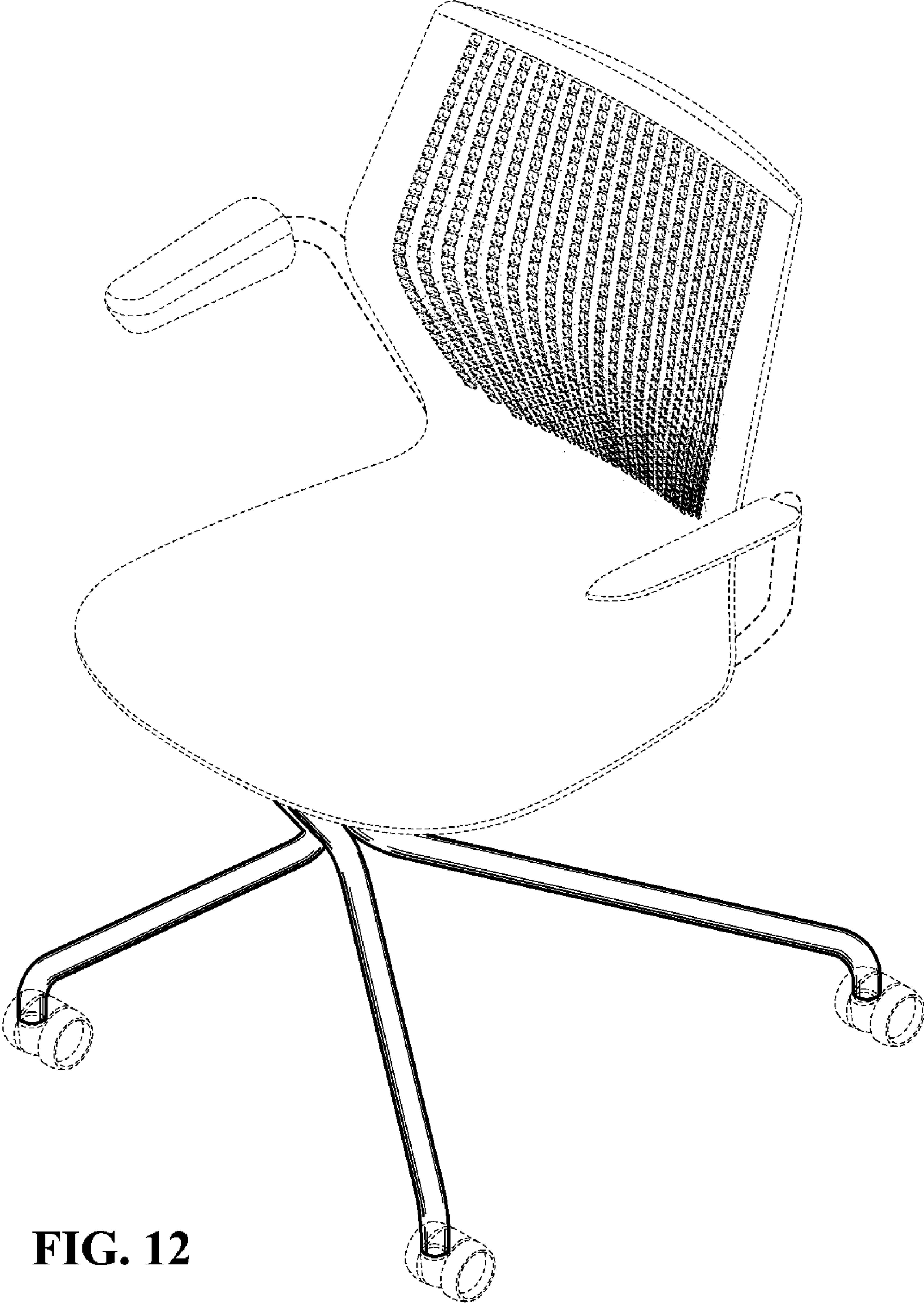


FIG. 12