



US00D638234S

(12) **United States Design Patent**
Kirkeby et al.

(10) **Patent No.:** **US D638,234 S**

(45) **Date of Patent:** **** May 24, 2011**

(54) **NIGHT TABLE**

(76) Inventors: **Robert Kirkeby**, Orange, CA (US);
Stephen Ardis, Orange, CA (US)

(**) Term: **14 Years**

(21) Appl. No.: **29/350,127**

(22) Filed: **Nov. 11, 2009**

(51) **LOC (9) Cl.** **06-06**

(52) **U.S. Cl.** **D6/446**

(58) **Field of Classification Search** D6/432-448;
312/114, 138.1, 204, 224, 278-279

See application file for complete search history.

(56) **References Cited**

U.S. PATENT DOCUMENTS

D109,985	S	*	6/1938	Hickerson	D6/434
D252,726	S	*	8/1979	Keller	D6/446
D337,218	S	*	7/1993	Black	D6/434
D353,282	S	*	12/1994	Keller	D6/434
D374,785	S	*	10/1996	Keller et al.	D6/446
D376,494	S	*	12/1996	Brunner et al.	D6/445
D400,029	S	*	10/1998	Zaidman	D6/446
D401,447	S	*	11/1998	Hazen et al.	D6/446
D401,449	S	*	11/1998	Hazen et al.	D6/446
D401,781	S	*	12/1998	Zaidman	D6/446
D532,992	S	*	12/2006	Kingsley et al.	D6/446
D559,009	S	*	1/2008	Shaw	D6/441
D560,392	S	*	1/2008	Kingsley	D6/445

OTHER PUBLICATIONS

Furniture Traditions Catalog, Summer 1989.
Furniture Traditions, Catalog, 1998.
Furniture Traditions, Catalog.

* cited by examiner

Primary Examiner — Elizabeth A Albert
Assistant Examiner — Kelley A Donnelly

(74) *Attorney, Agent, or Firm* — Stetina Brunda Garred & Brucker

(57) **CLAIM**

The ornamental design for a night table, as shown and described.

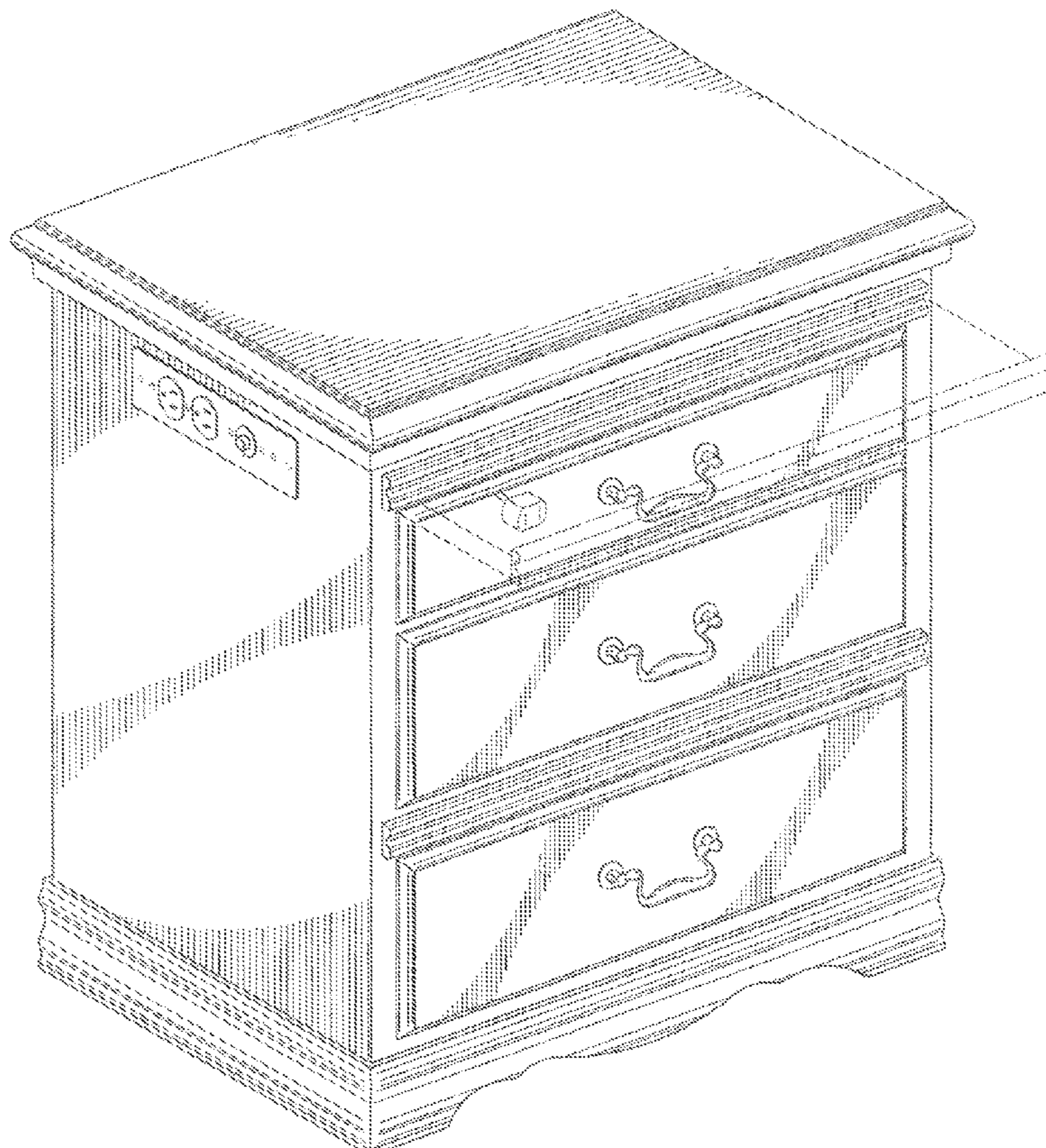
DESCRIPTION

FIG. 1 is front perspective view of the invention;
FIG. 2 is a front view of the invention;
FIG. 3 is a left side view of the invention;
FIG. 4 is a rear view of the invention;
FIG. 5 is a right side of the invention; and,
FIG. 6 is a top view of the invention.

The broken lines showing are for the purpose of illustrating the environment of the design only and form no part of the claimed design.

The break lines shown in FIGS. 3, 4, 5, and 6 are not part of the claimed design and represent that no particular length is claimed.

1 Claim, 4 Drawing Sheets



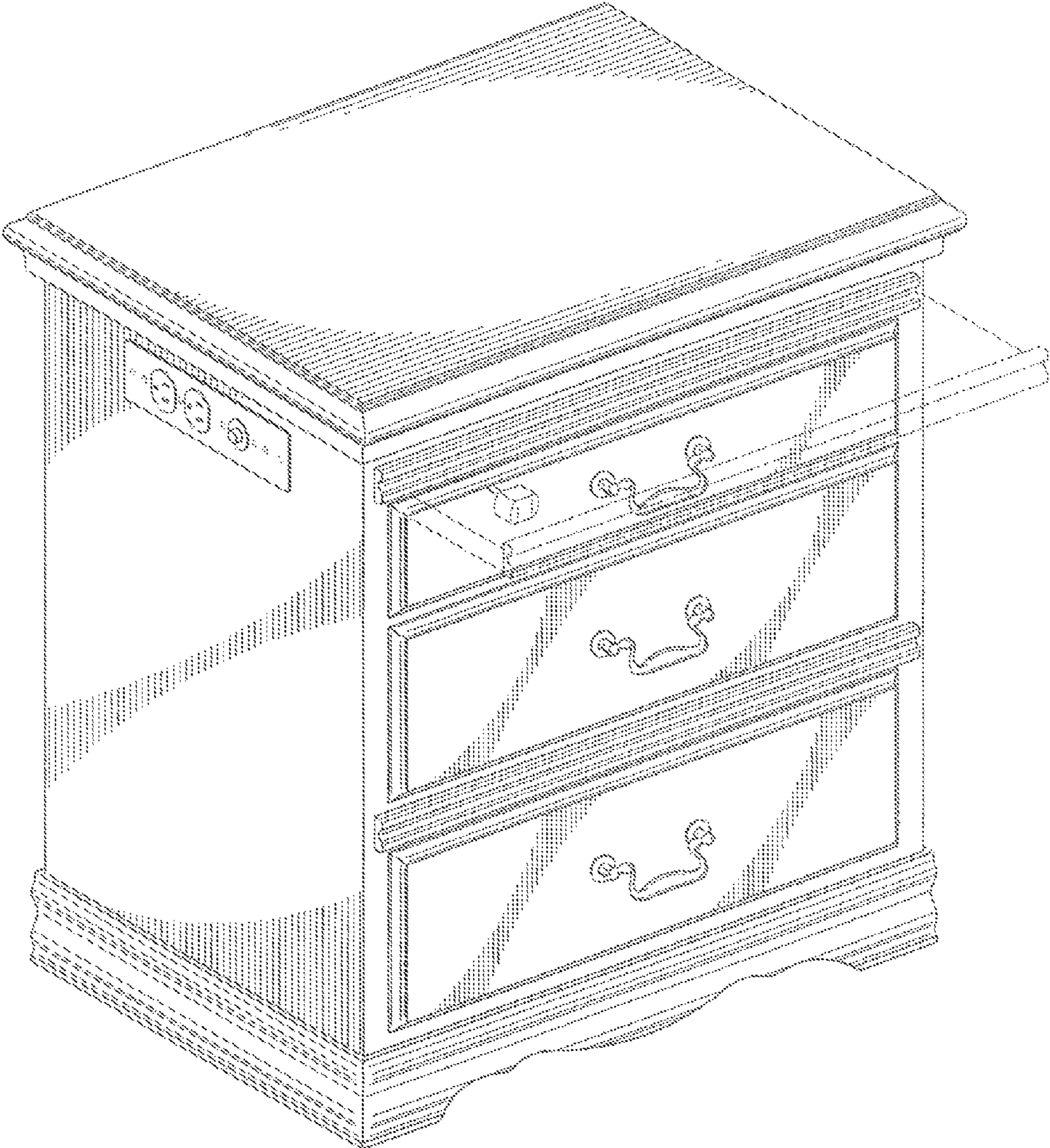


Fig. 1

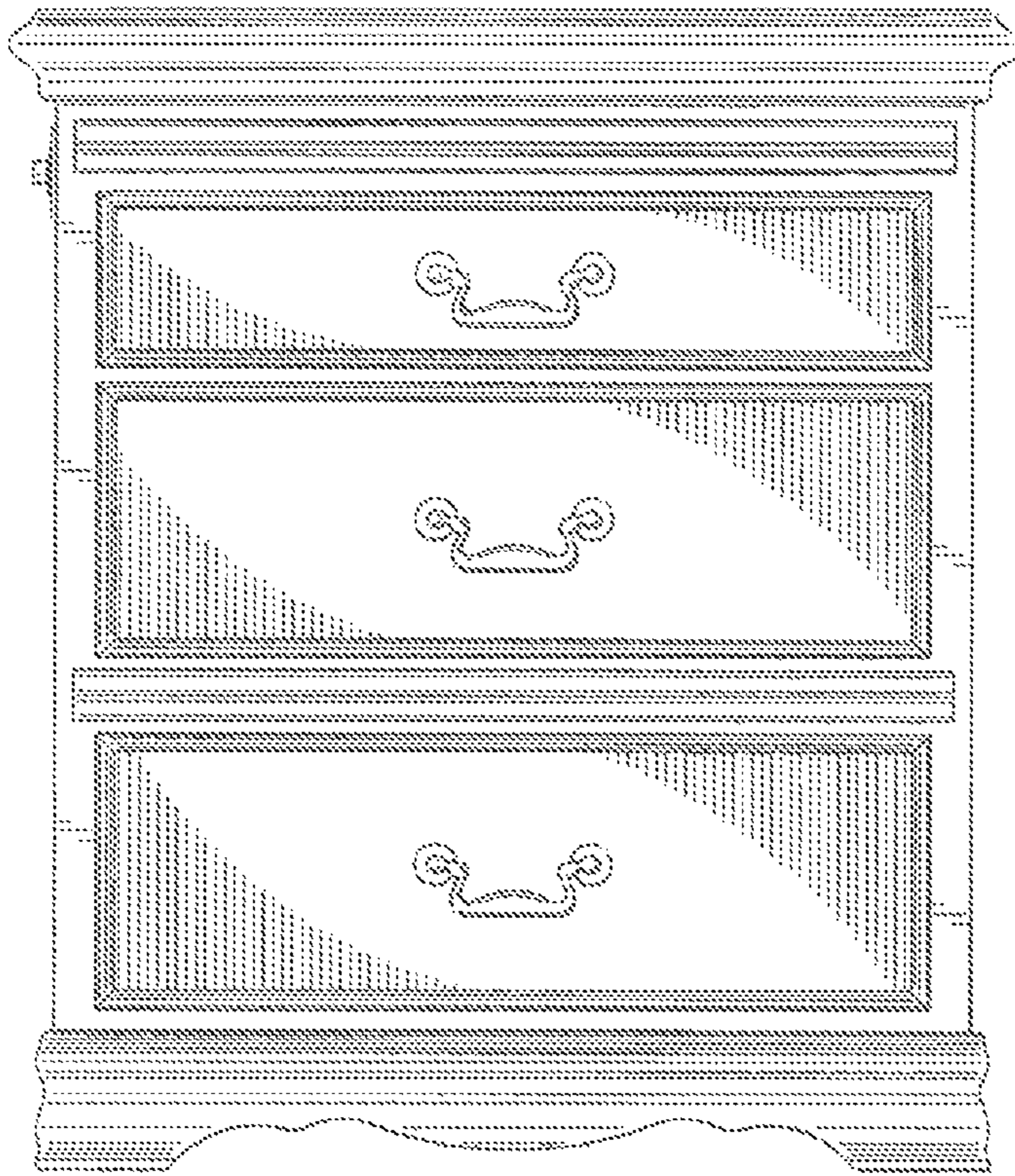


Fig. 2

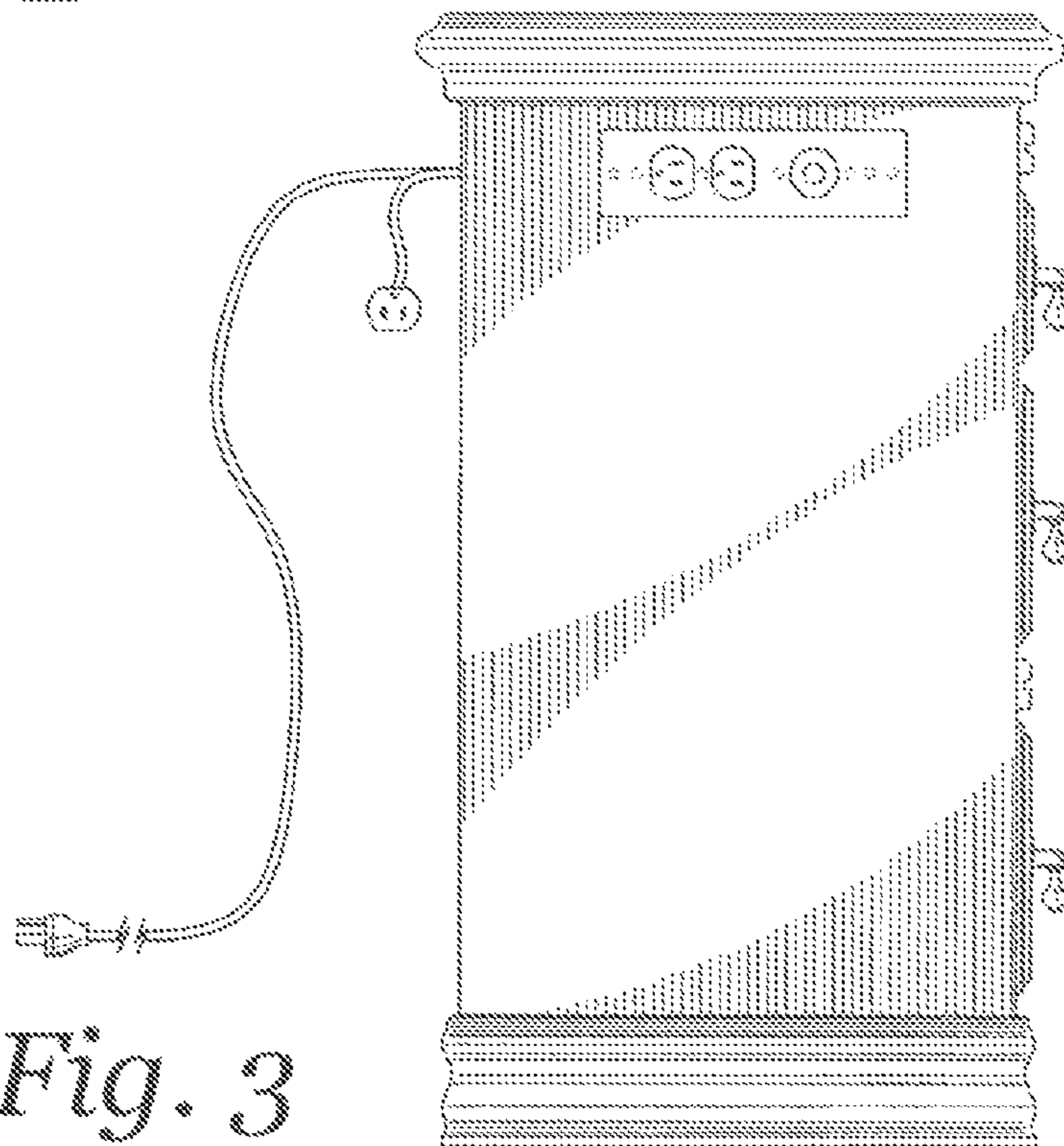


Fig. 3

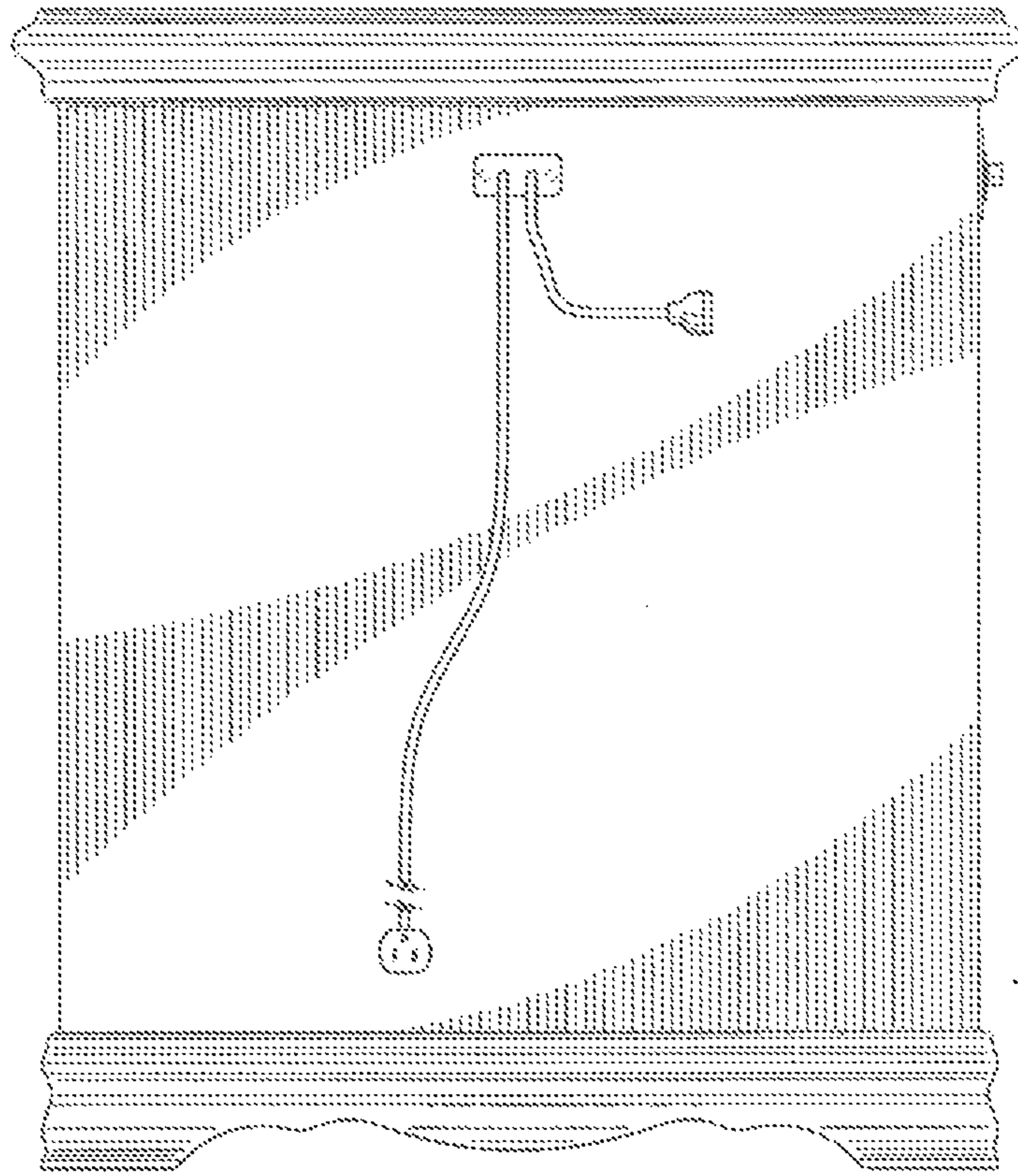


Fig. 4

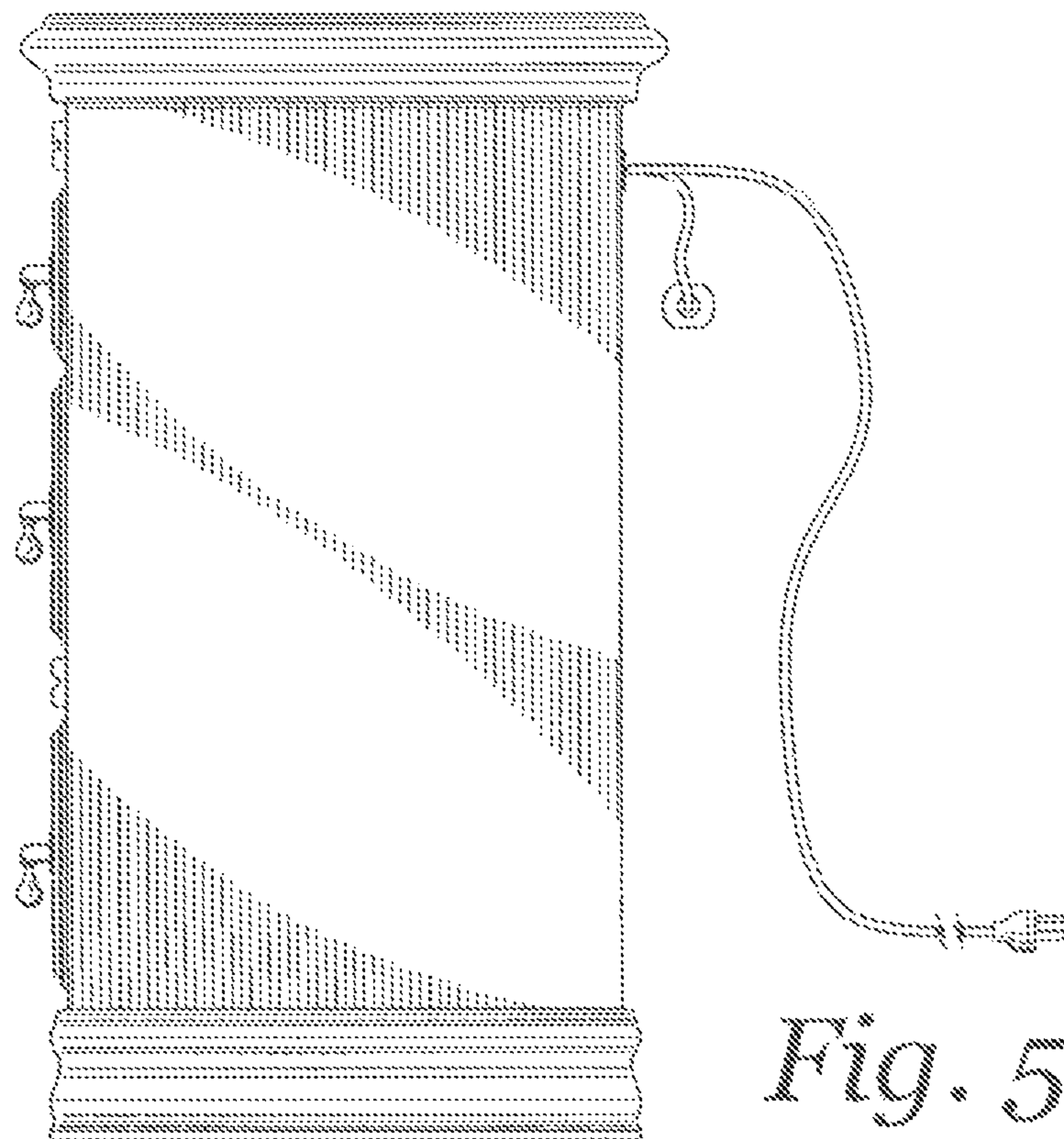


Fig. 5

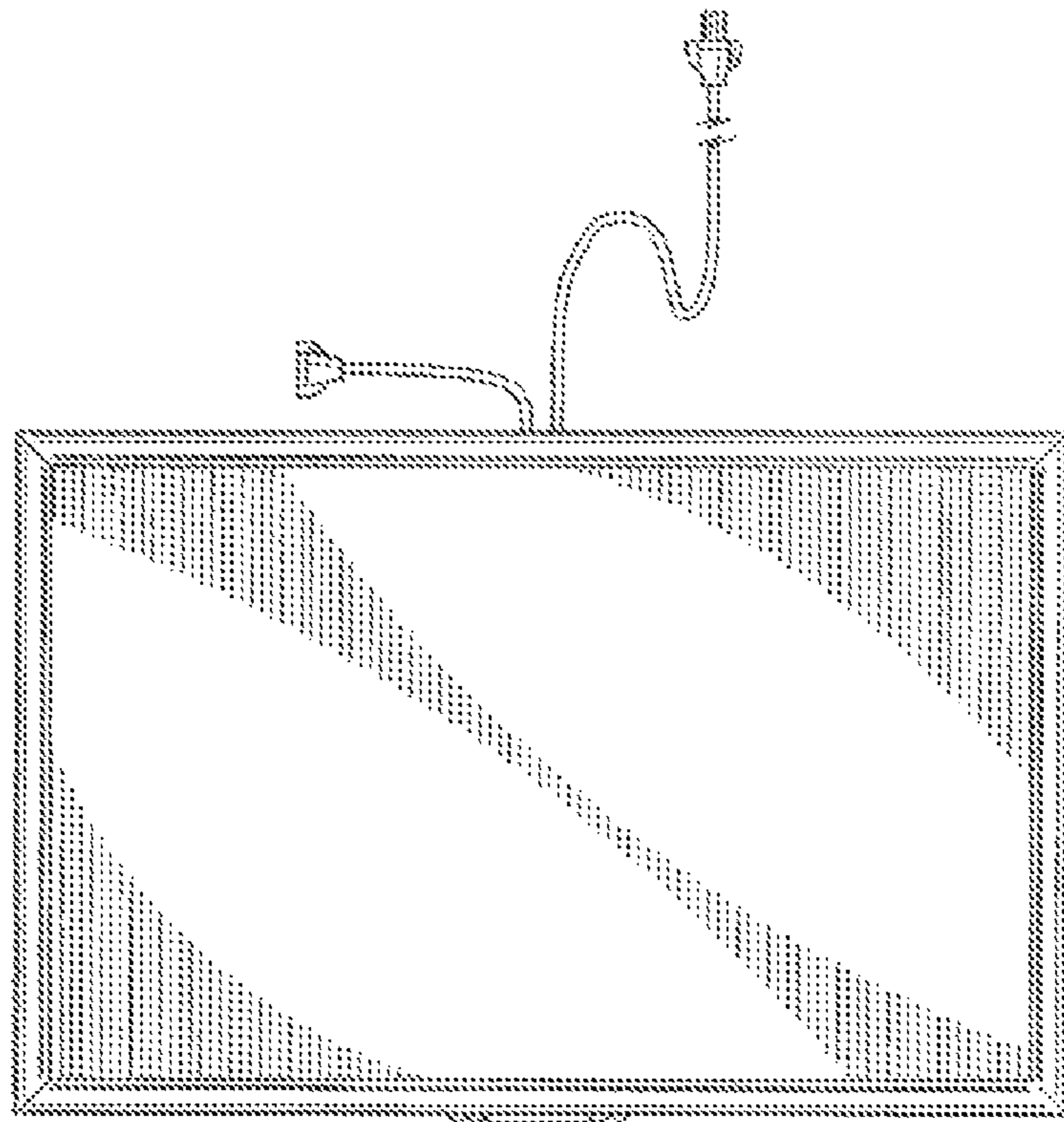


Fig. 6