



US00D638233S

(12) **United States Design Patent**
Perunovic

(10) **Patent No.:** **US D638,233 S**

(45) **Date of Patent:** **** May 24, 2011**

(54) **BENCH WITH BILLBOARD**

(76) Inventor: **Relja Perunovic**, Belgrade-Zemun (RS)

(**) Term: **14 Years**

(21) Appl. No.: **29/360,301**

(22) Filed: **Apr. 23, 2010**

(30) **Foreign Application Priority Data**

Dec. 11, 2009 (RS) D-0127/09

(51) **LOC (9) Cl.** **06-01**

(52) **U.S. Cl.** **D6/381**

(58) **Field of Classification Search** D6/334,
D6/335, 337, 349, 353, 380, 381, 500-502;
5/12.1, 12.2; 297/14, 43, 44, 118, 140, 245,
297/300.1, 311, 353, 354.1, 445.1, 446.1,
297/446.2, 447.4, 465, 900, DIG. 2, DIG. 7;
D20/39

See application file for complete search history.

(56) **References Cited**

U.S. PATENT DOCUMENTS

1,721,601	A *	7/1929	McClure	297/446.1
D213,496	S *	3/1969	Wormser	D6/349
4,009,903	A *	3/1977	Manspeaker	297/14
D247,529	S *	3/1978	Lamb	D6/336
5,421,131	A *	6/1995	Heckman et al.	52/263
D411,054	S *	6/1999	Williams	D6/335
D423,239	S *	4/2000	Hornyak	D6/355
6,065,261	A *	5/2000	Fehr et al.	52/580
D446,399	S *	8/2001	Slear	D6/370
6,305,741	B1 *	10/2001	Fernandez	297/14
D479,774	S *	9/2003	Wimberger	D6/370
6,729,685	B1 *	5/2004	Ebalobor	297/14
6,807,690	B1 *	10/2004	Satterfield	4/578.1
D513,369	S *	1/2006	Cross	D6/370
D517,341	S *	3/2006	Wilmotte	D6/381
D521,763	S *	5/2006	Wilmotte	D6/381
7,080,417	B2 *	7/2006	Jiang	4/578.1
D541,547	S *	5/2007	Goldstein	D6/381
D580,188	S *	11/2008	Self et al.	D6/353
D583,577	S *	12/2008	Wicha	D6/349
2006/0071510	A1 *	4/2006	Jiang	297/14

OTHER PUBLICATIONS

Foreign design Application Serial No. D-0127/09, filed in the Institute for Intellectual Property of the Republic of Serbia, on Dec. 11, 2009.

* cited by examiner

Primary Examiner — Sandra Snapp

(57) **CLAIM**

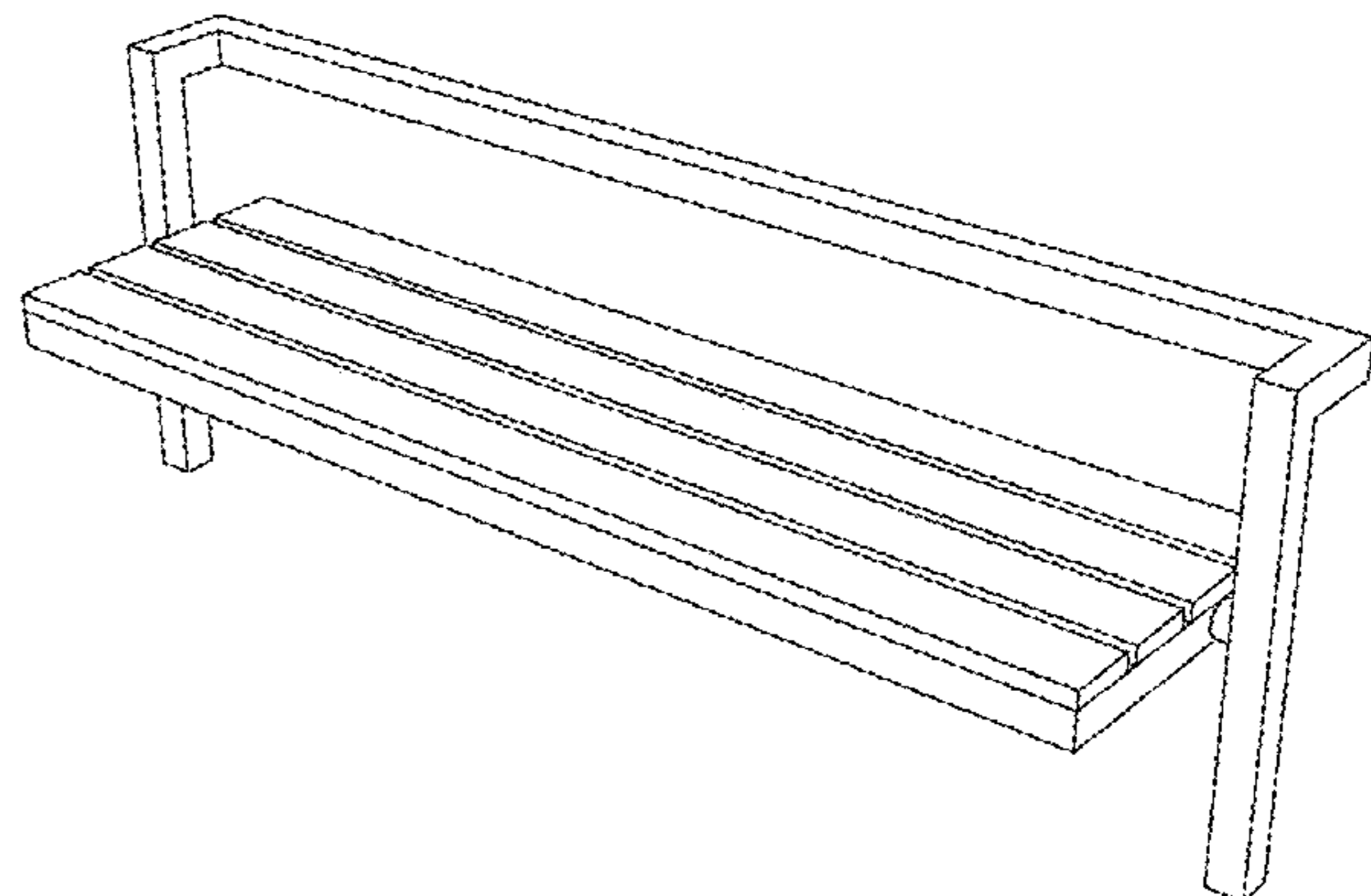
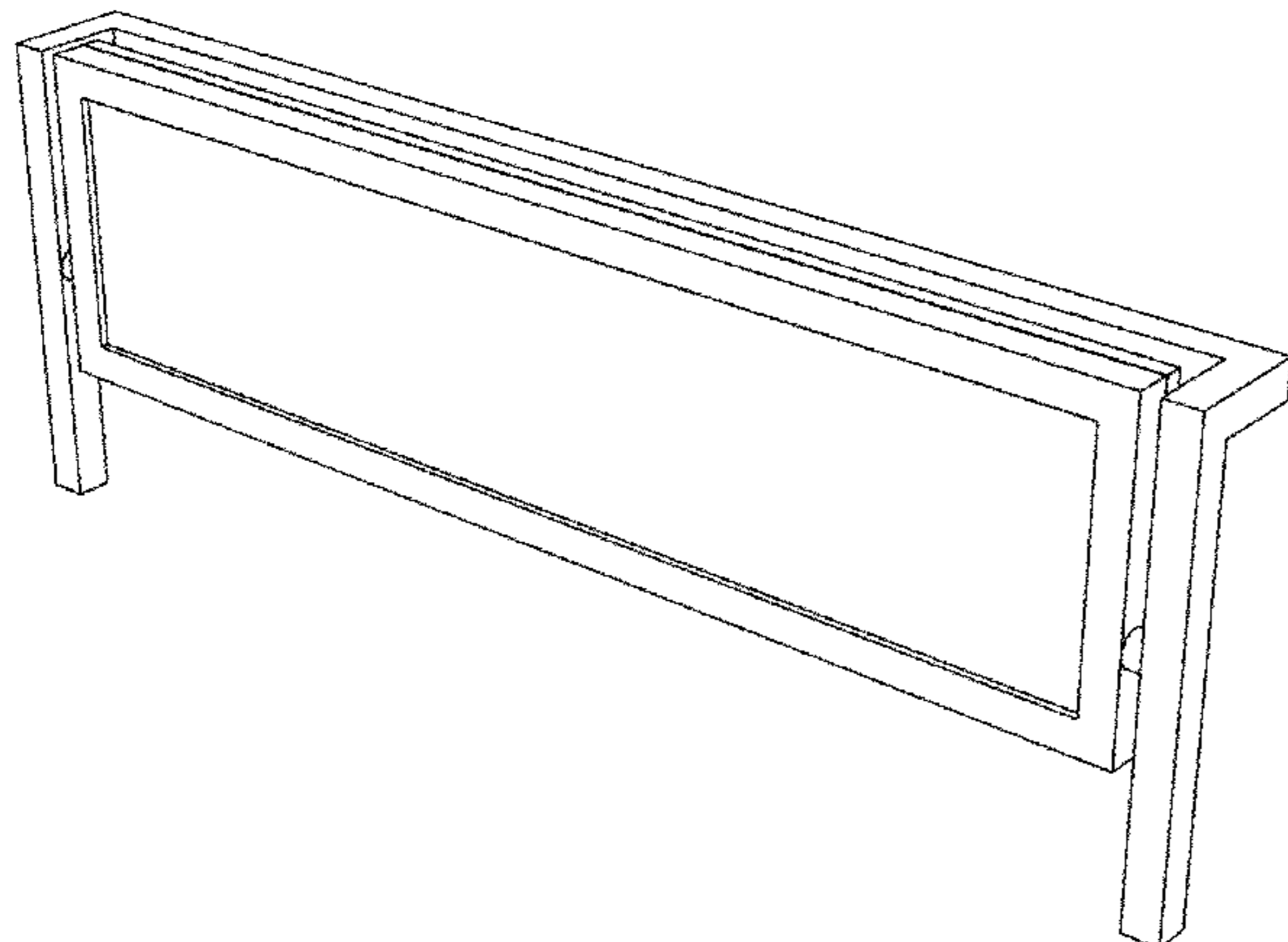
The ornamental design for a bench with billboard, as shown and described.

DESCRIPTION

FIG. 1 is a front perspective view of a bench with billboard, with seat in upright position;
 FIG. 2 is a rear perspective view thereof, with seat in upright position;
 FIG. 3 is a front view thereof; with seat in upright position;
 FIG. 4 is a rear view thereof, with seat in upright position;
 FIG. 5 is a top plan view thereof, with seat in upright position;
 FIG. 6 is a bottom plan view thereof, with seat in upright position;
 FIG. 7 is a right side view thereof, with seat in upright position;
 FIG. 8 is a left side view thereof, with seat in upright position;
 FIG. 9 is a front perspective view of a bench with billboard, with seat in lowered position;
 FIG. 10 is a rear perspective view thereof, with seat in lowered position;
 FIG. 11 is a front view thereof; with seat in lowered position;
 FIG. 12 is a rear view thereof, with seat in lowered position;
 FIG. 13 is a top plan view thereof, with seat in lowered position;
 FIG. 14 is a bottom plan view thereof, with seat in lowered position;
 FIG. 15 is a right side view thereof, with seat in lowered position; and,
 FIG. 16 is a left side view thereof, with seat in lowered position.

The broken lines in the Figures are for illustrative purposes only and form no part of the claimed design.

1 Claim, 16 Drawing Sheets



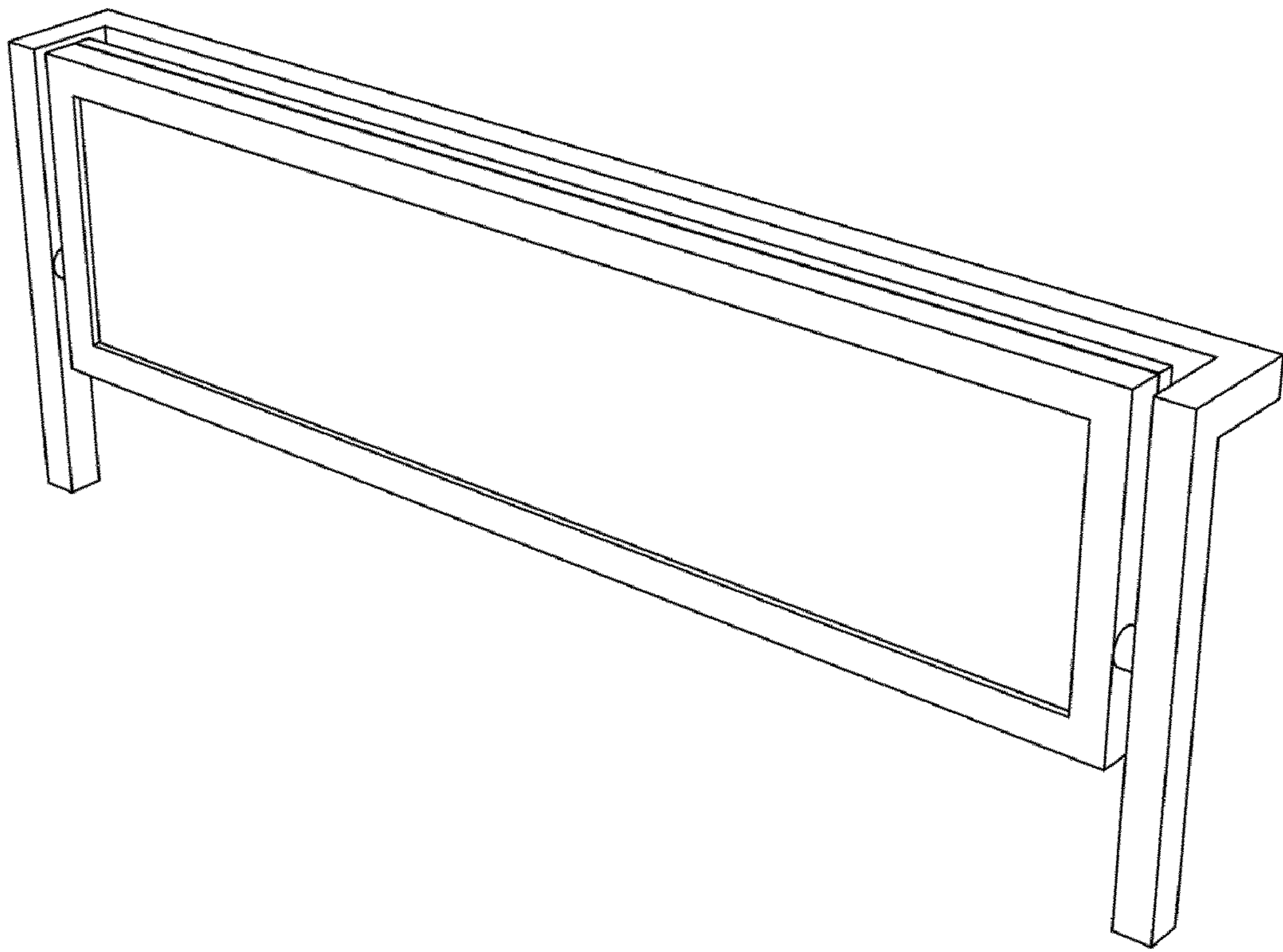


FIG. 1

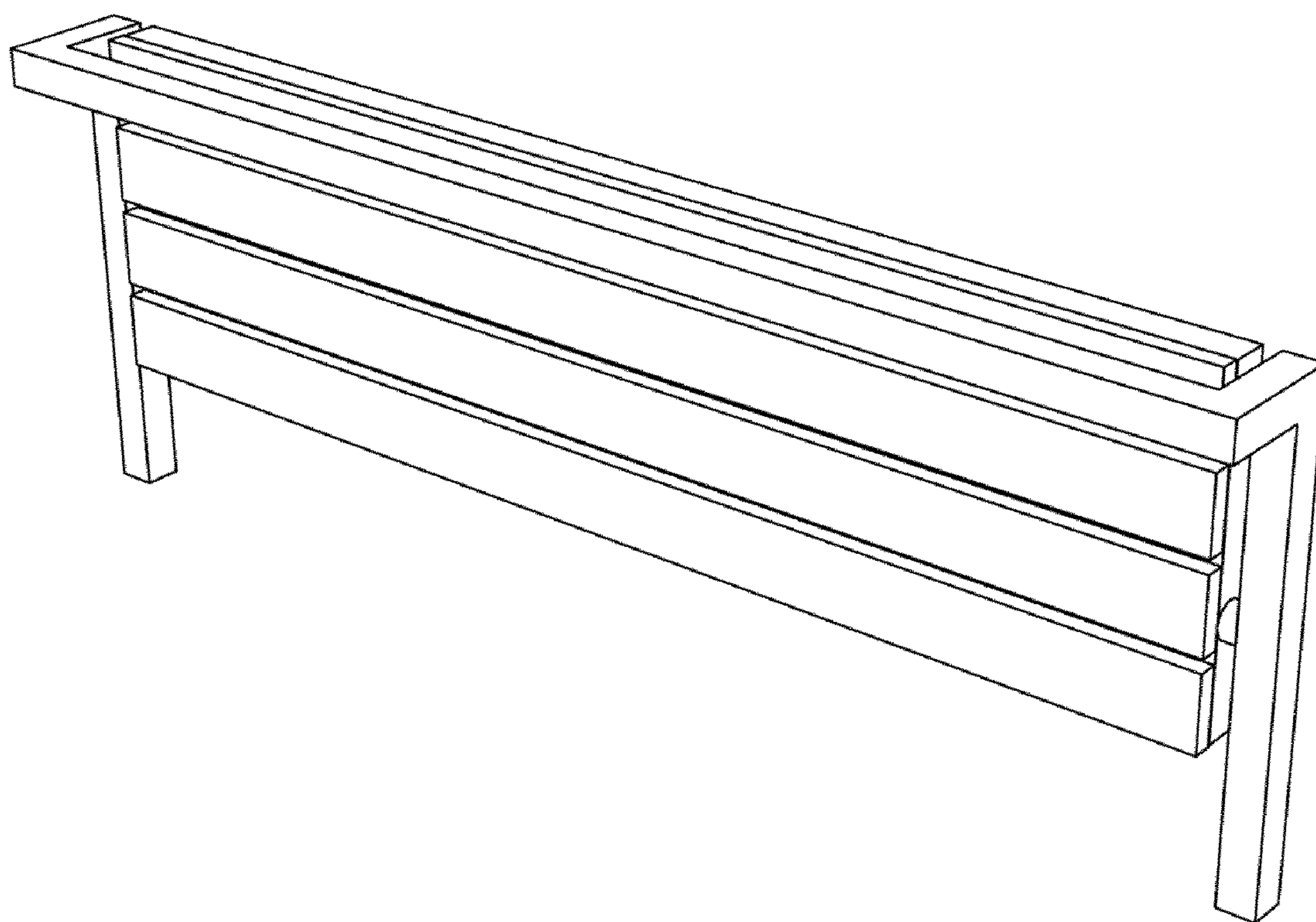


FIG. 2

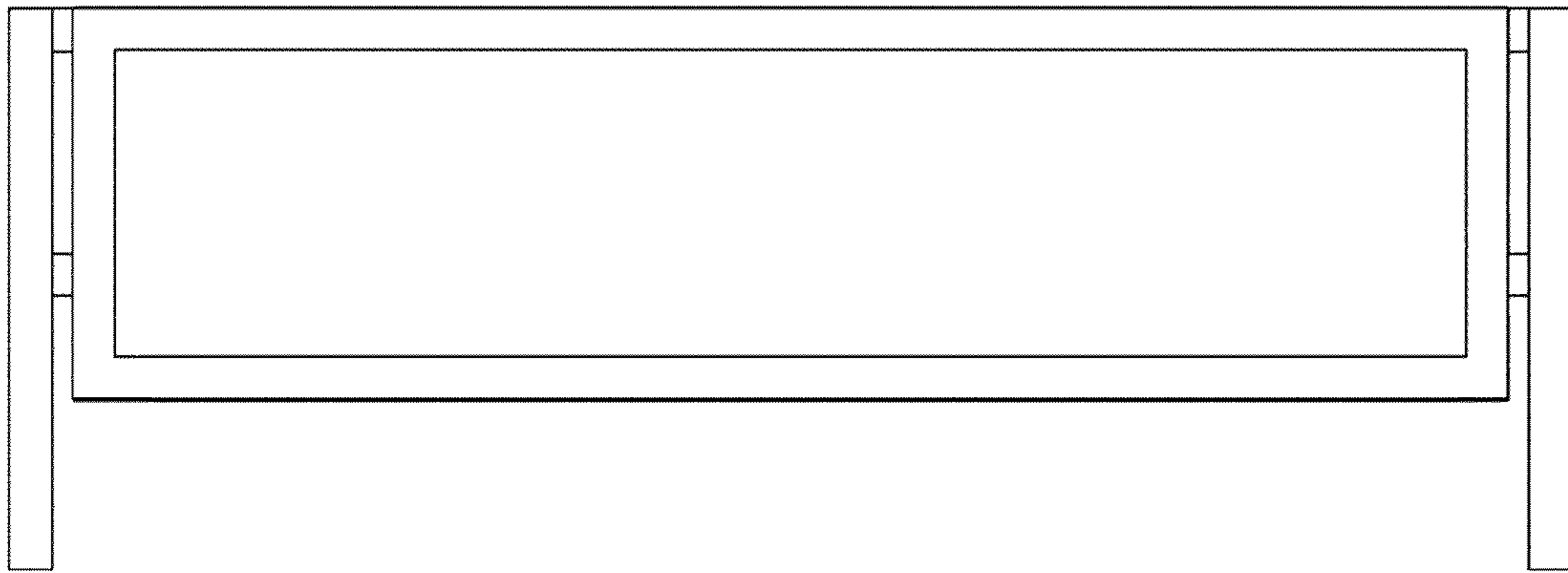


FIG. 3

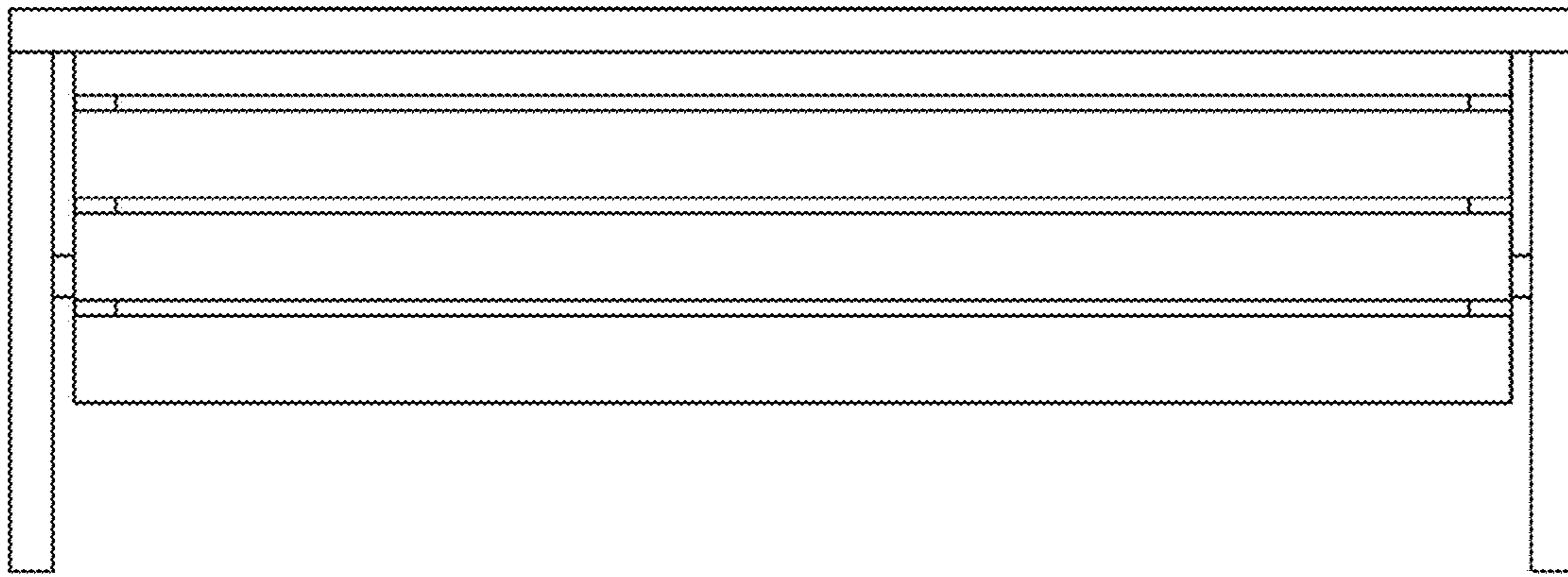


FIG. 4

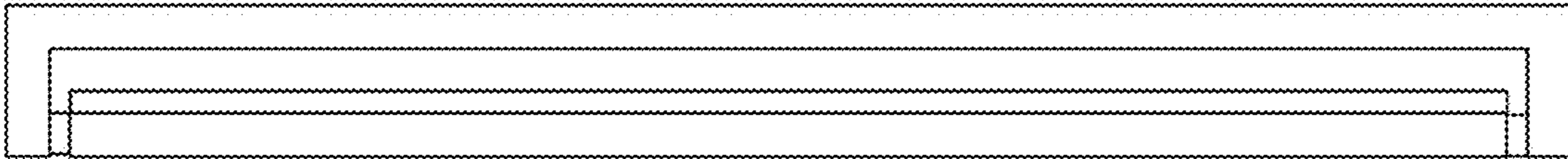


FIG. 5

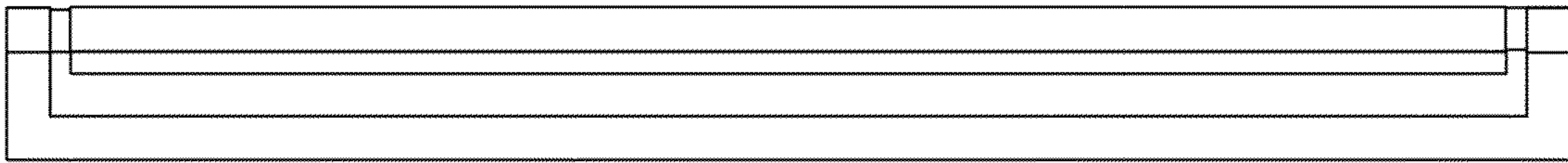


FIG. 6

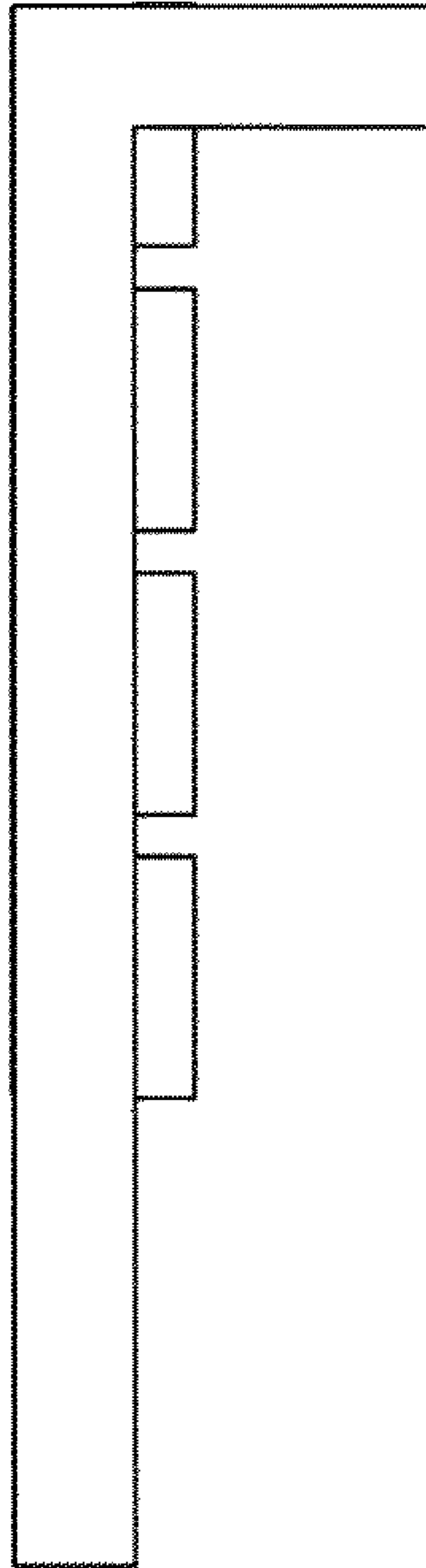


FIG. 7

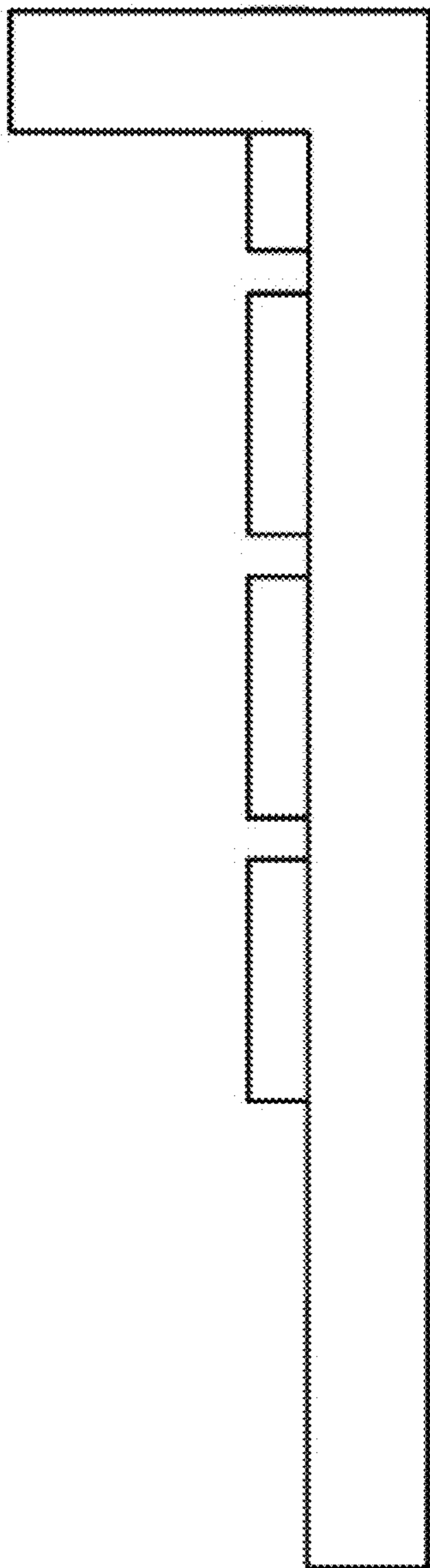


FIG. 8

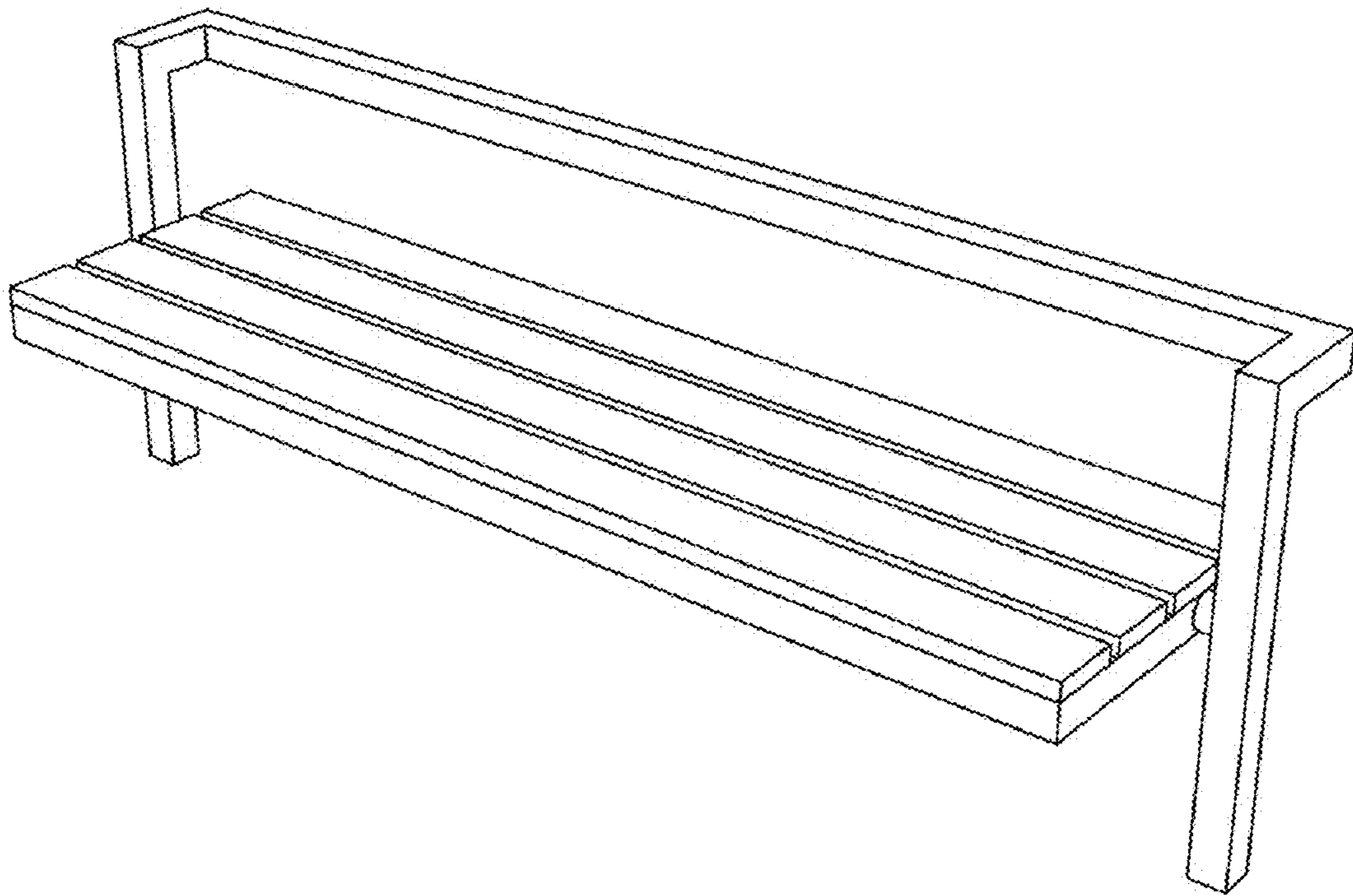


FIG. 9

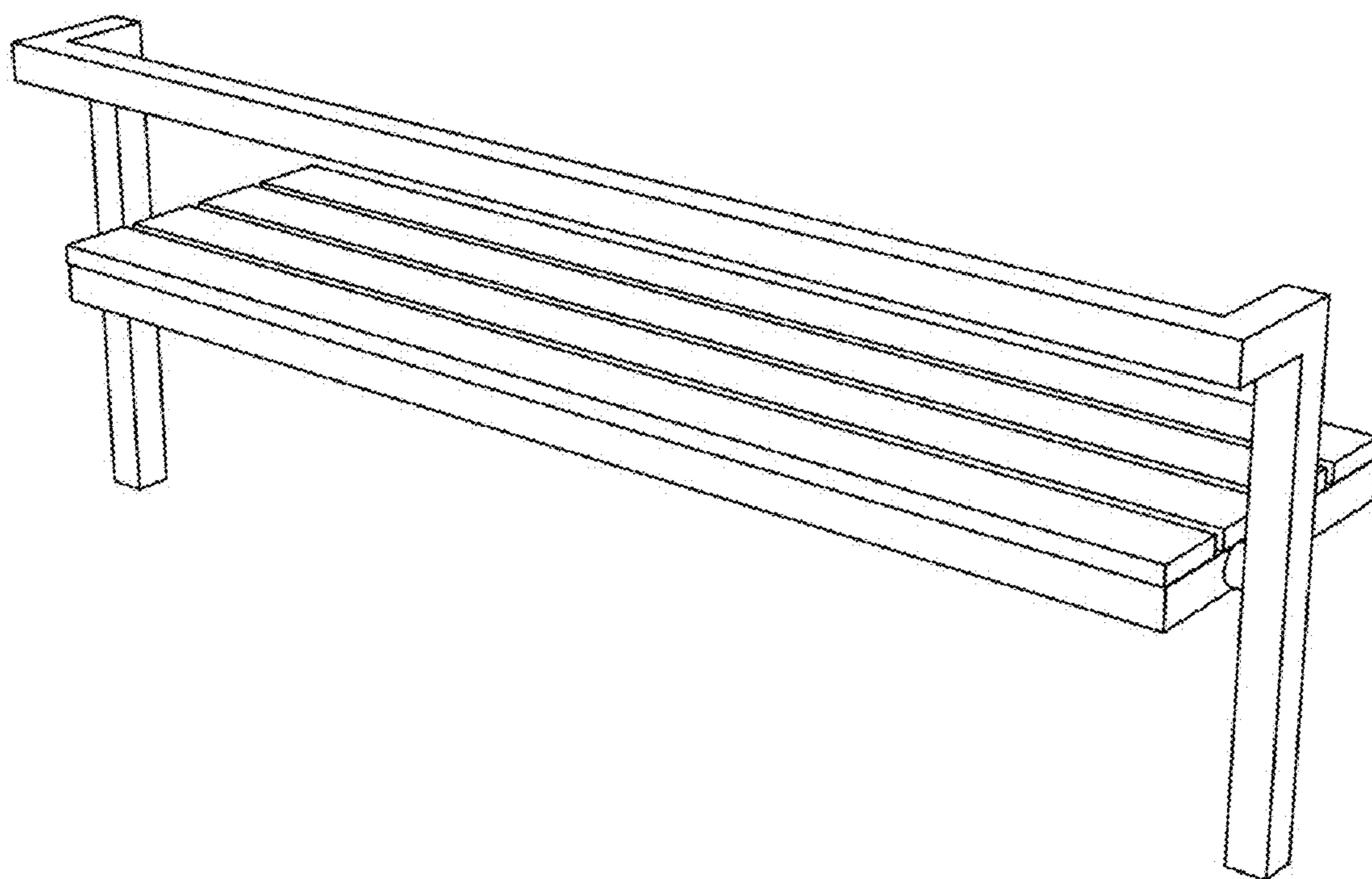


FIG. 10

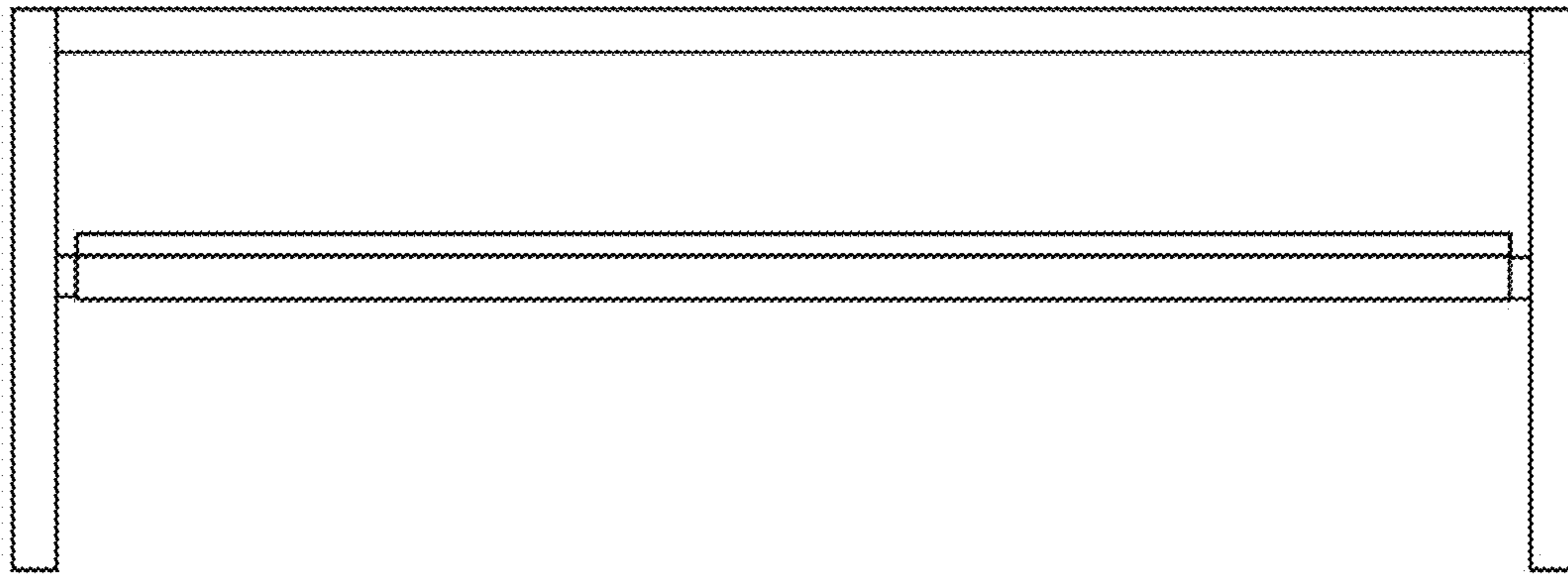


FIG. 11

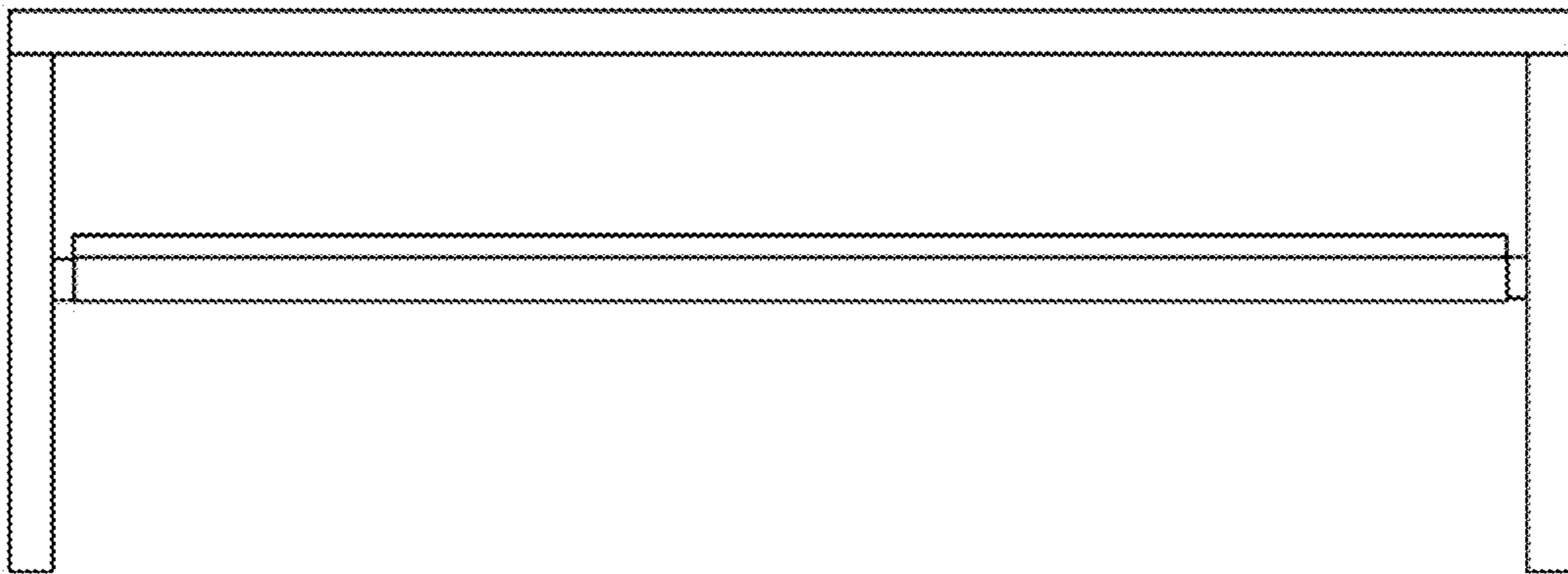


FIG. 12

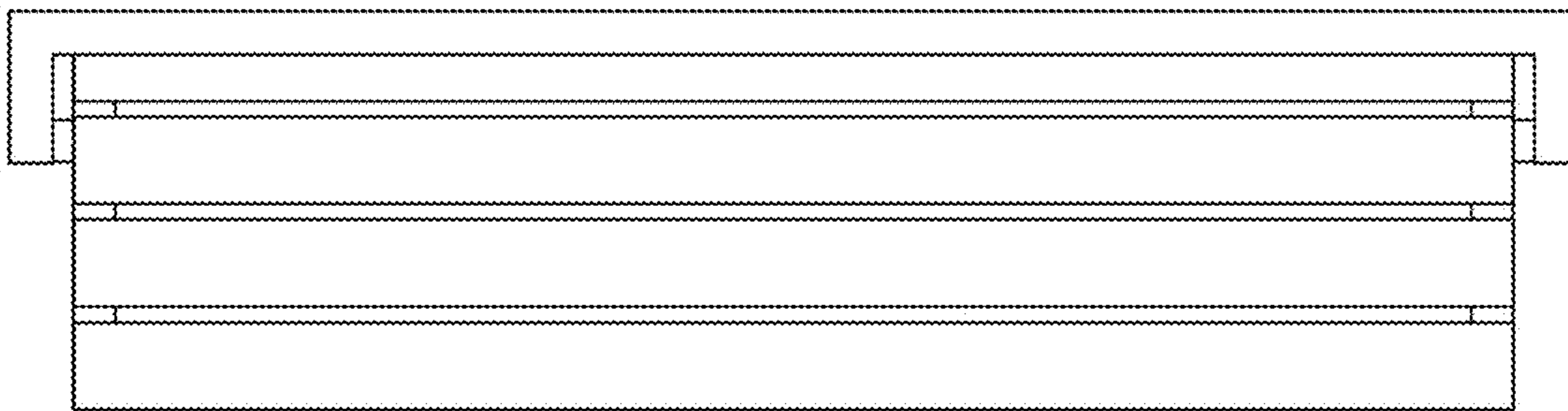


FIG. 13

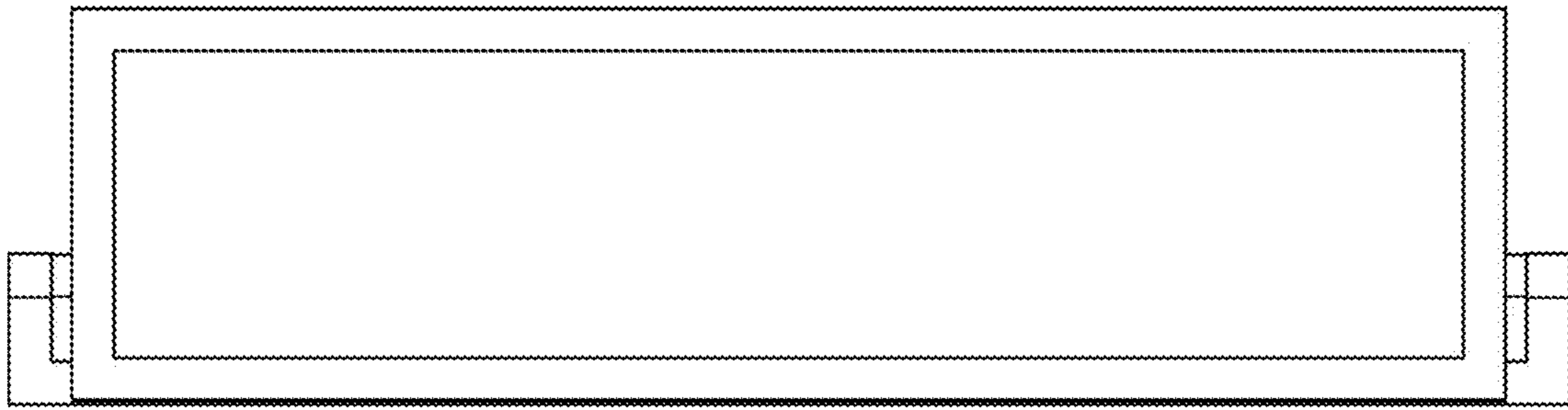


FIG. 14

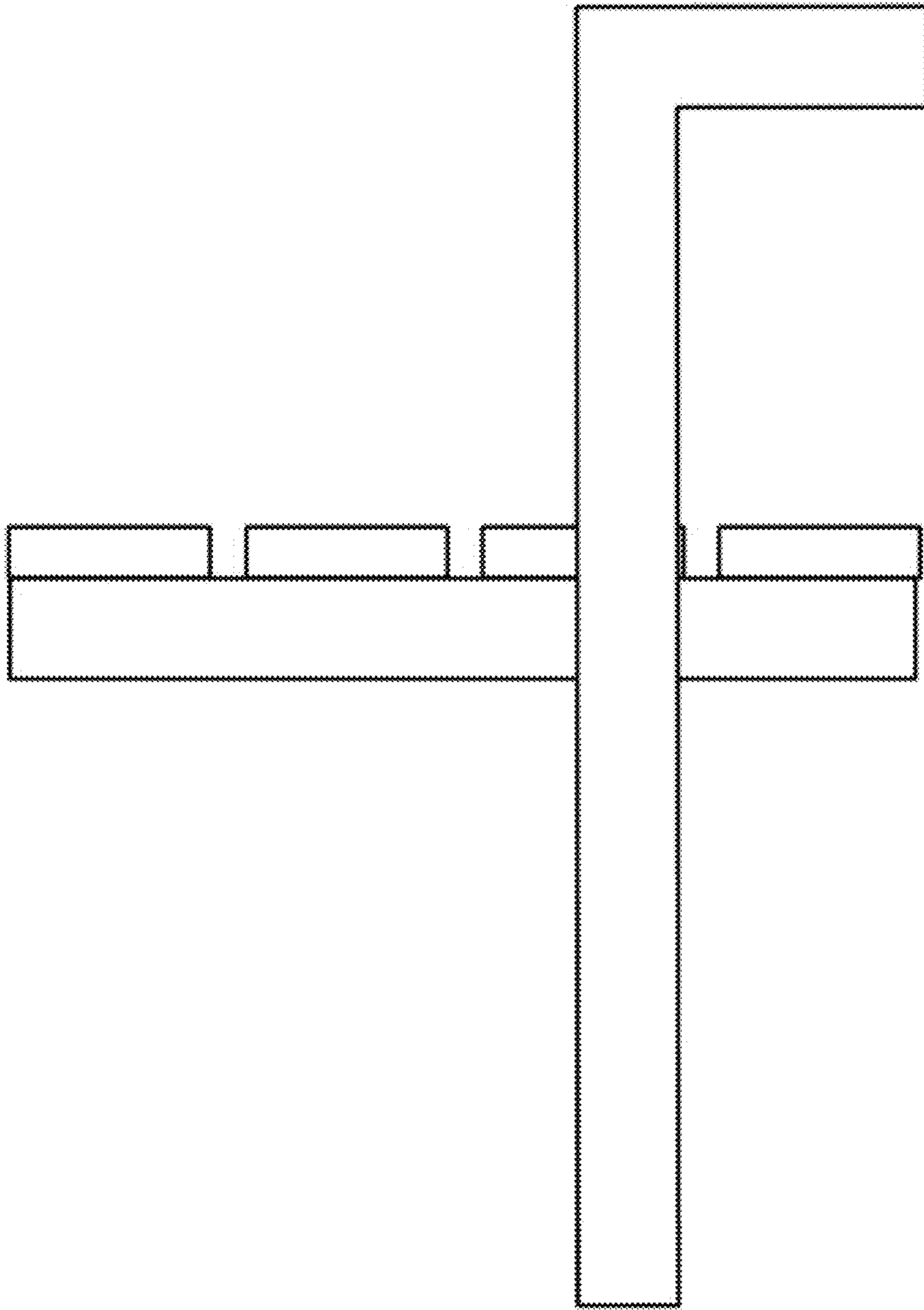


FIG. 15

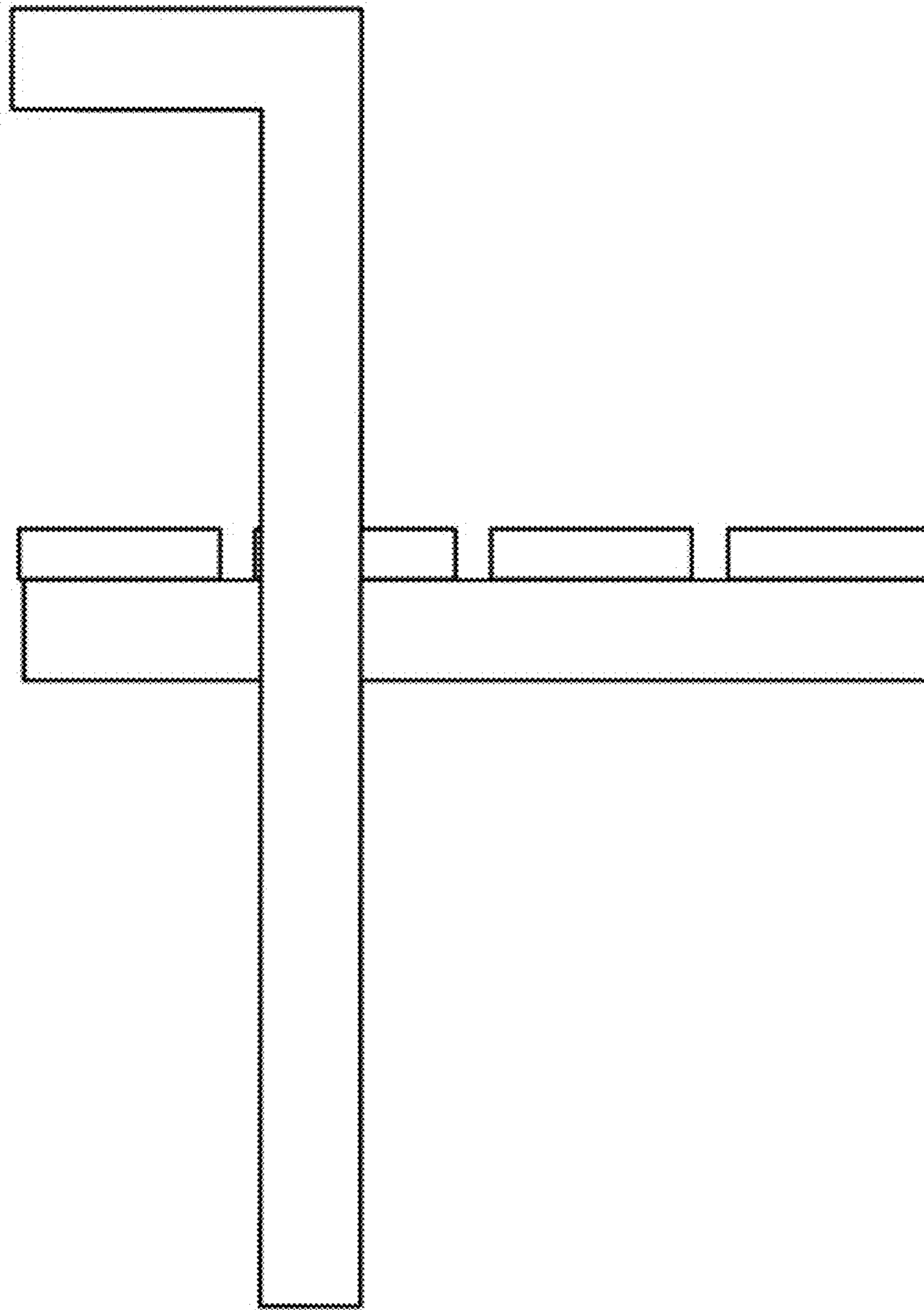


FIG. 16