

US00D638231S

(12) **United States Design Patent**
Lievore et al.

(10) **Patent No.:** **US D638,231 S**
(45) **Date of Patent:** **** May 24, 2011**

(54) **SEATS**

(75) Inventors: **Alberto Lievore**, Barcelona (ES);
Jean-Marie Massaud, Paris (FR);
Simon Pengelly, London (GB)

(73) Assignee: **Arper S.p.A.**, Monastier Di Treviso (IT)

(**) Term: **14 Years**

(21) Appl. No.: **29/267,565**

(22) Filed: **Oct. 17, 2006**

(30) **Foreign Application Priority Data**

Apr. 21, 2006 (EM) 000517206

(51) **LOC (9) Cl.** **06-01**

(52) **U.S. Cl.** **D6/375; D6/379**

(58) **Field of Classification Search** D6/334–336,
D6/349–353, 358, 360, 364, 365, 366, 371–372,
D6/374, 375, 376, 379, 380, 500–502; 297/239,
297/445.1, 446.1, 451.3, 451.5, 452.12, 452.14
See application file for complete search history.

(56) **References Cited**

U.S. PATENT DOCUMENTS

D240,375 S * 7/1976 Buhk D6/366
D241,691 S * 10/1976 Rodriquez D6/366
D565,317 S * 4/2008 Molina et al. D6/375
D571,117 S * 6/2008 Molina et al. D6/375

* cited by examiner

Primary Examiner — Mimosa De

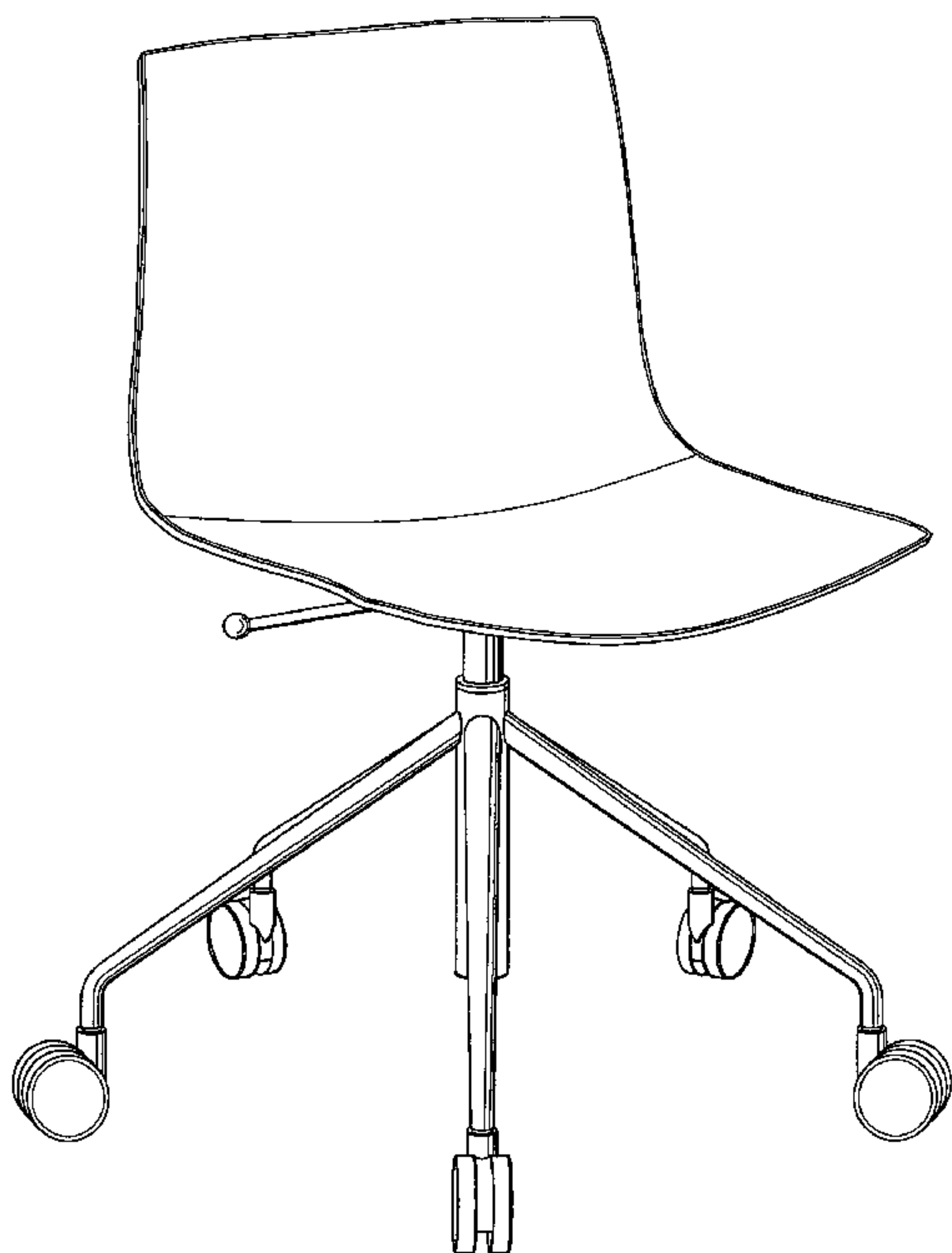
(74) *Attorney, Agent, or Firm* — Scully, Scott, Murphy & Presser, P.C.

(57) **CLAIM**
The ornamental design for “seats,” as shown and described.

DESCRIPTION

FIG. 1 is a perspective view, showing our new design;
FIG. 2 is a front view thereof;
FIG. 3 is a rear view thereof;
FIG. 4 is a plan view from above thereof;
FIG. 5 is a left side view thereof;
FIG. 6 is a right side view thereof;
FIG. 7 is a perspective view of a second embodiment, according to the invention;
FIG. 8 is a front view thereof;
FIG. 9 is a rear view thereof;
FIG. 10 is a plan view from above thereof;
FIG. 11 is a left side view thereof;
FIG. 12 is a right side view thereof;
FIG. 13 is a perspective view of a third embodiment, according to the invention;
FIG. 14 is a front view thereof;
FIG. 15 is a rear view thereof;
FIG. 16 is a plan view from above thereof;
FIG. 17 is a left side view thereof;
FIG. 18 is a right side view thereof;
FIG. 19 is a perspective view of a fourth embodiment, according to the invention;
FIG. 20 is a front view thereof;
FIG. 21 is a rear view thereof;
FIG. 22 is a plan view from above thereof;
FIG. 23 is a left side view thereof; and,
FIG. 24 is a right side view thereof.

1 Claim, 24 Drawing Sheets



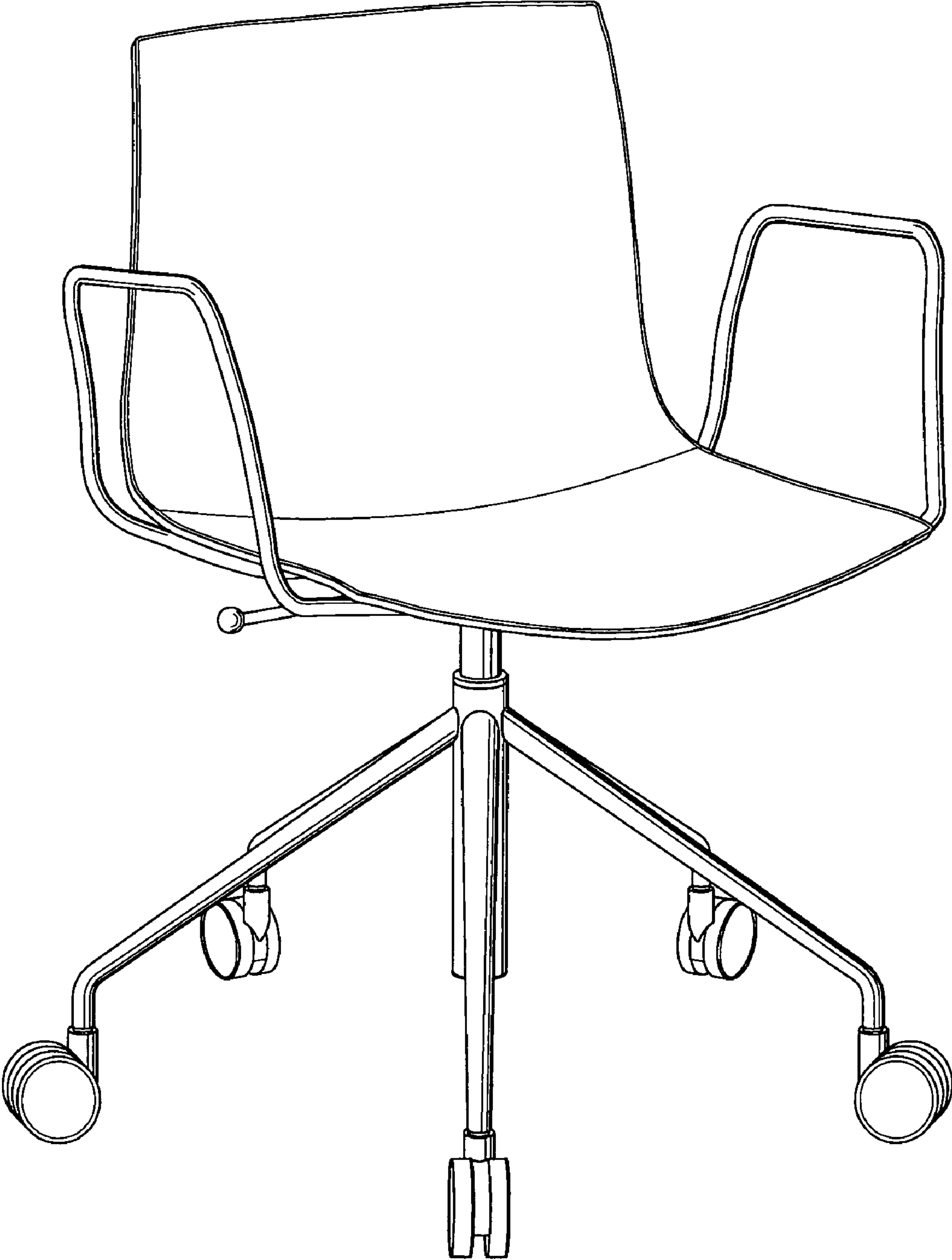


Fig. 1

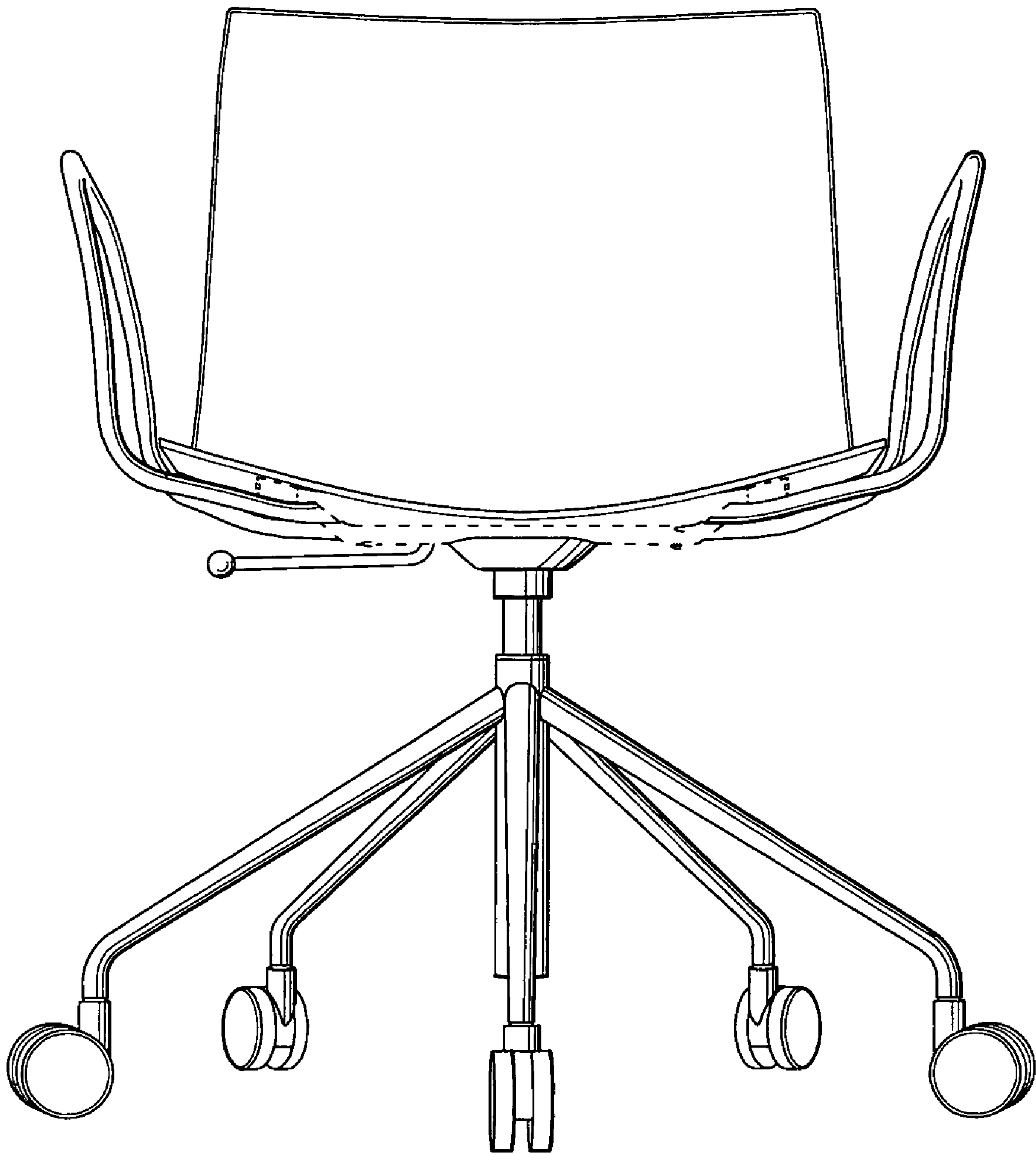


Fig. 2

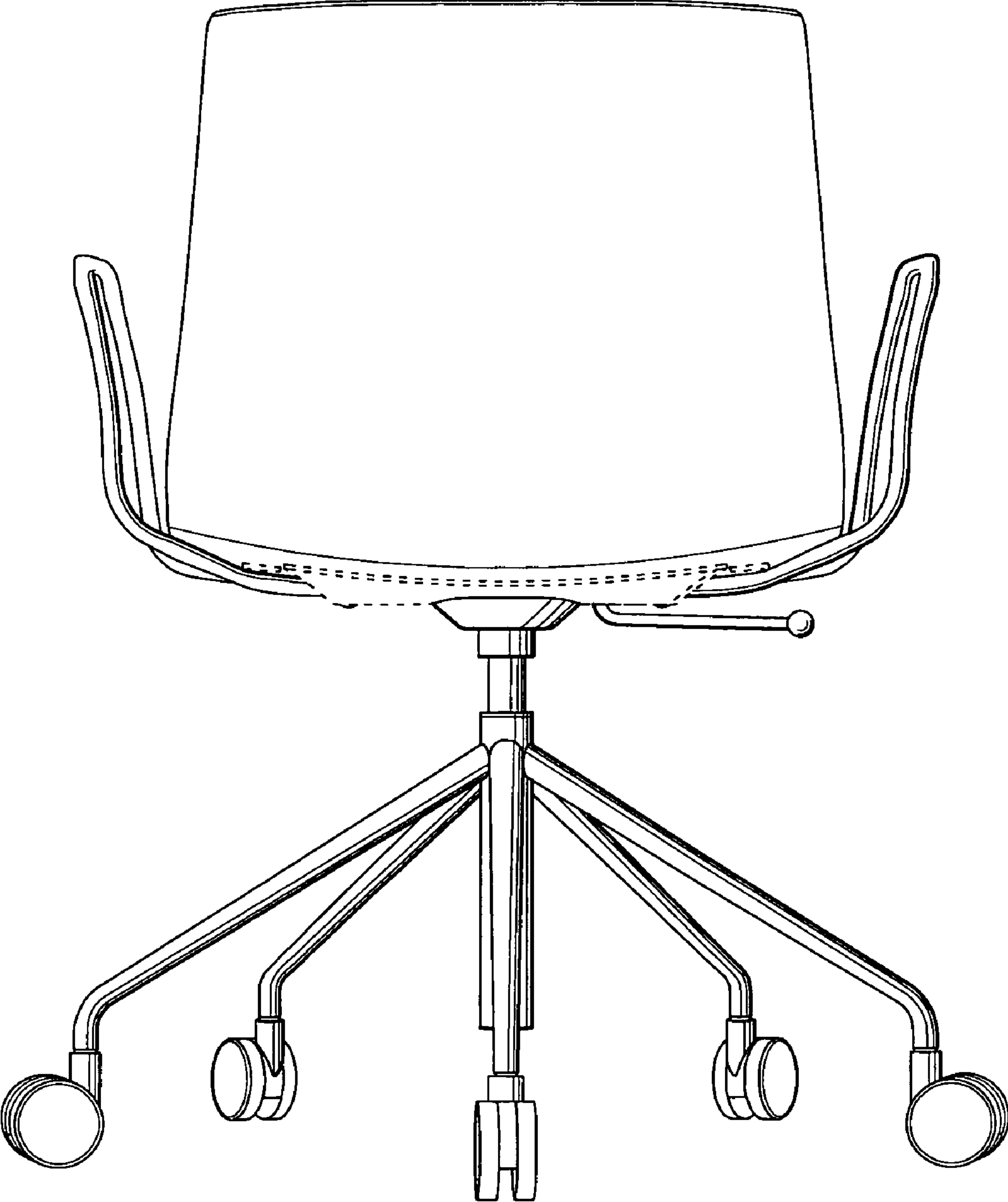


Fig. 3

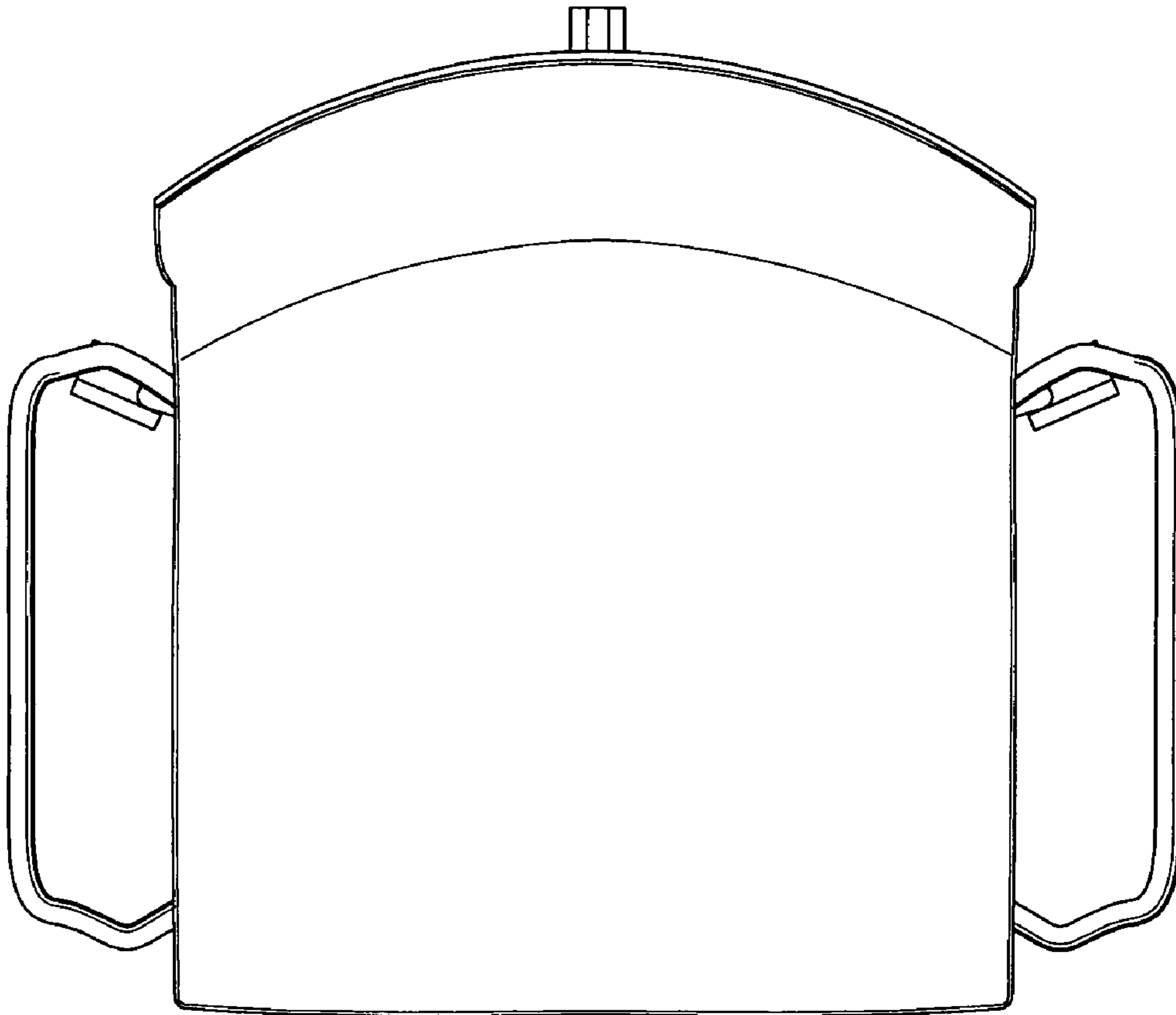


Fig. 4

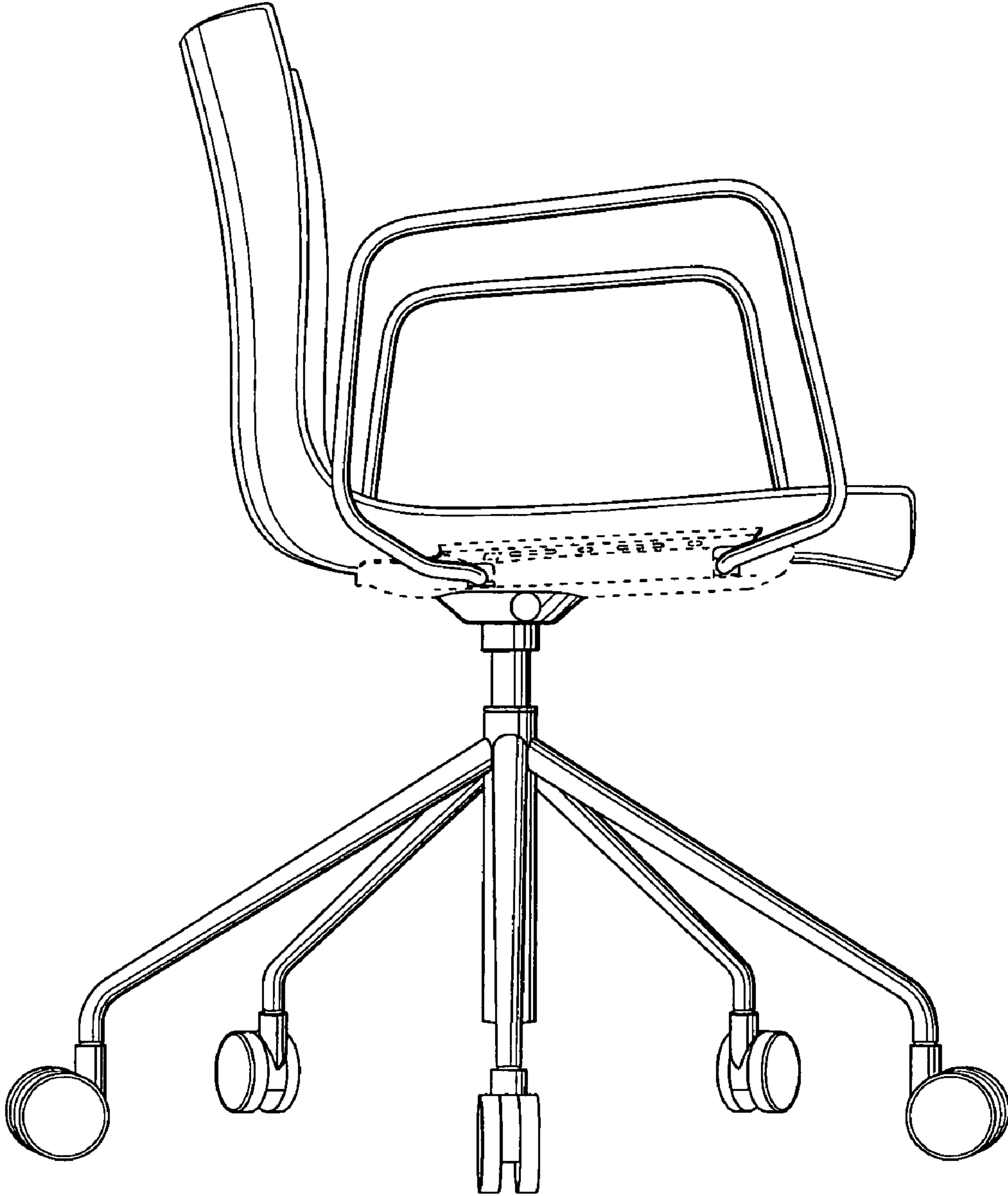


Fig. 5

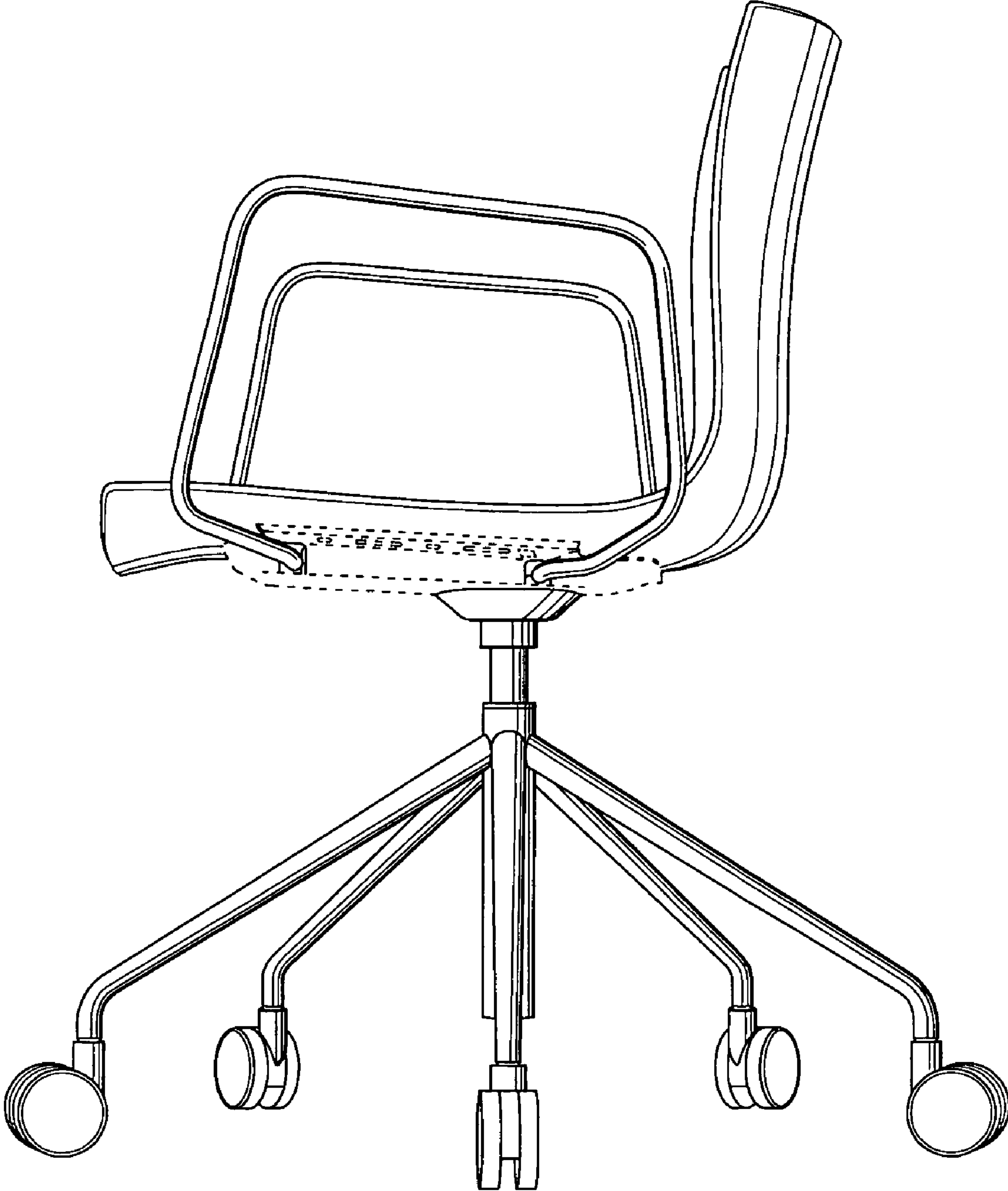


Fig. 6

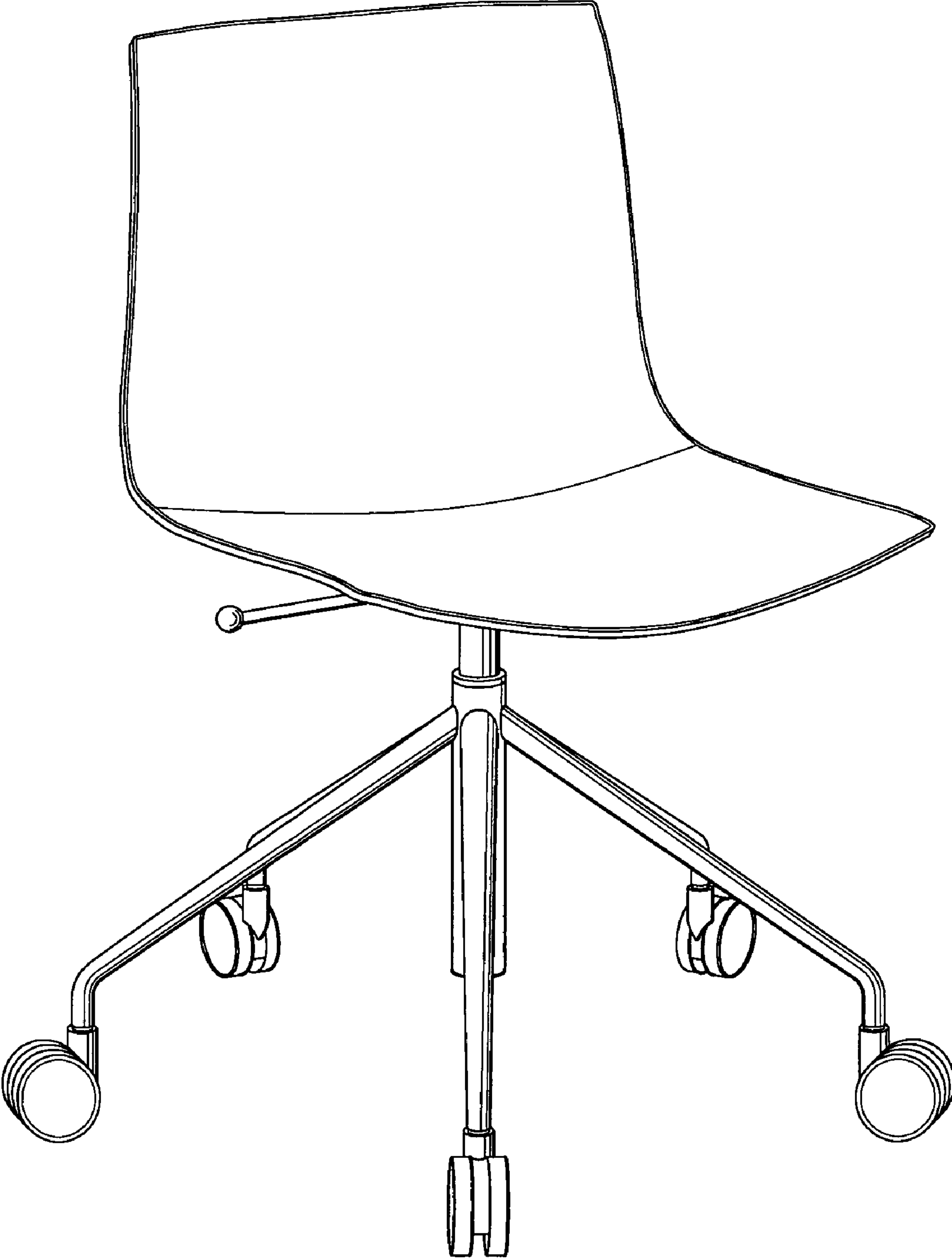


Fig. 7

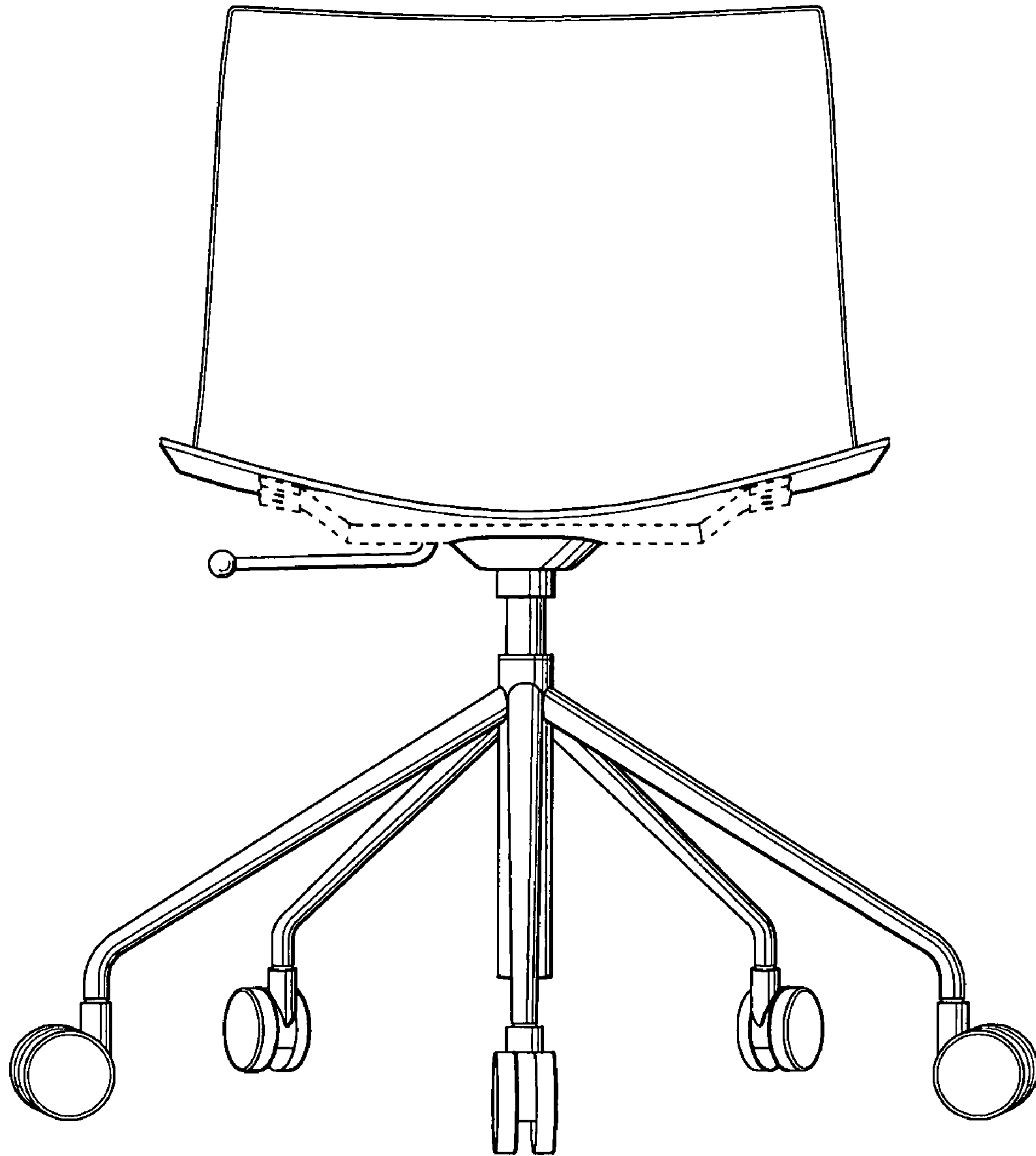


Fig. 8

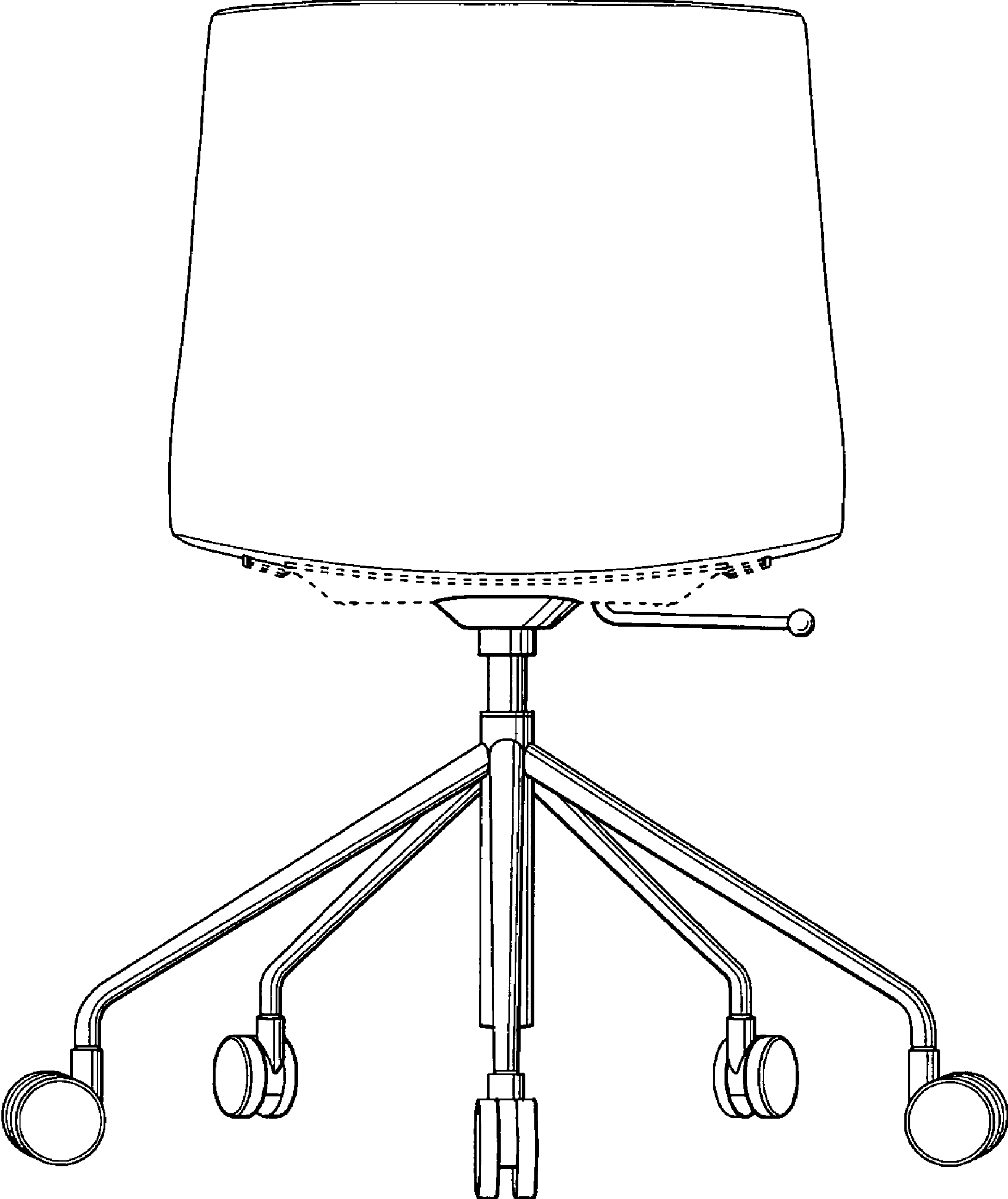


Fig. 9

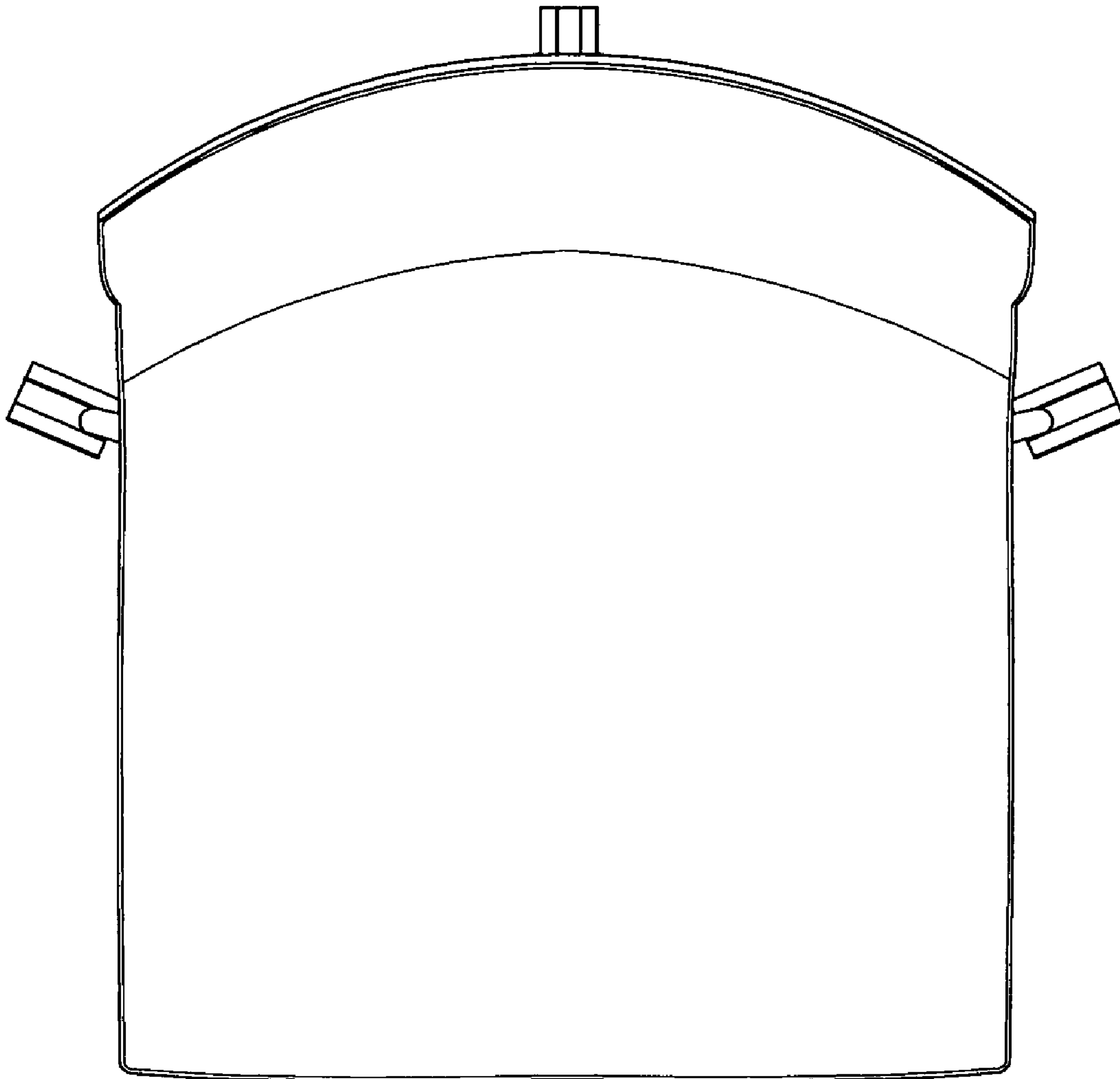


Fig. 10

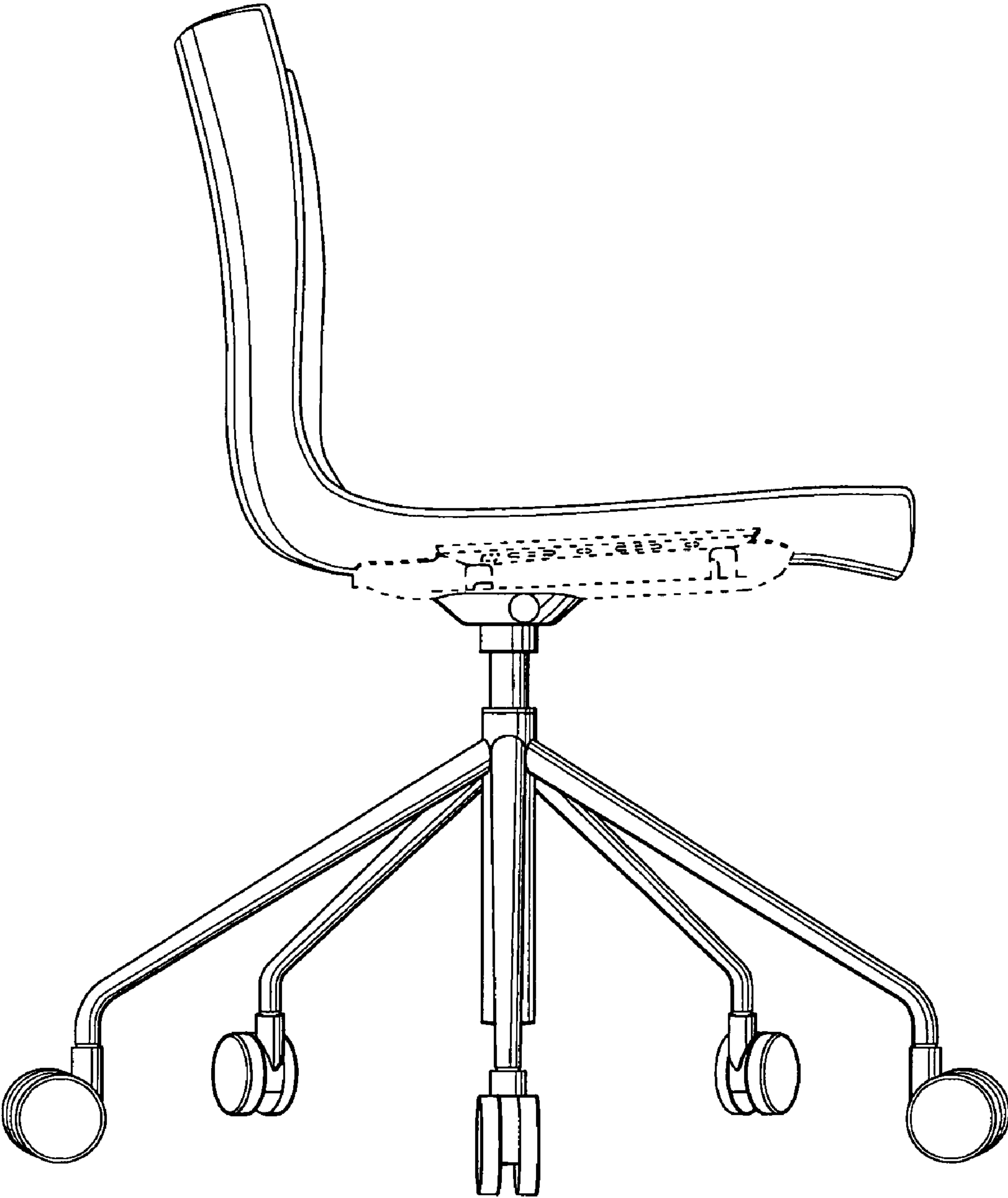


Fig. 11

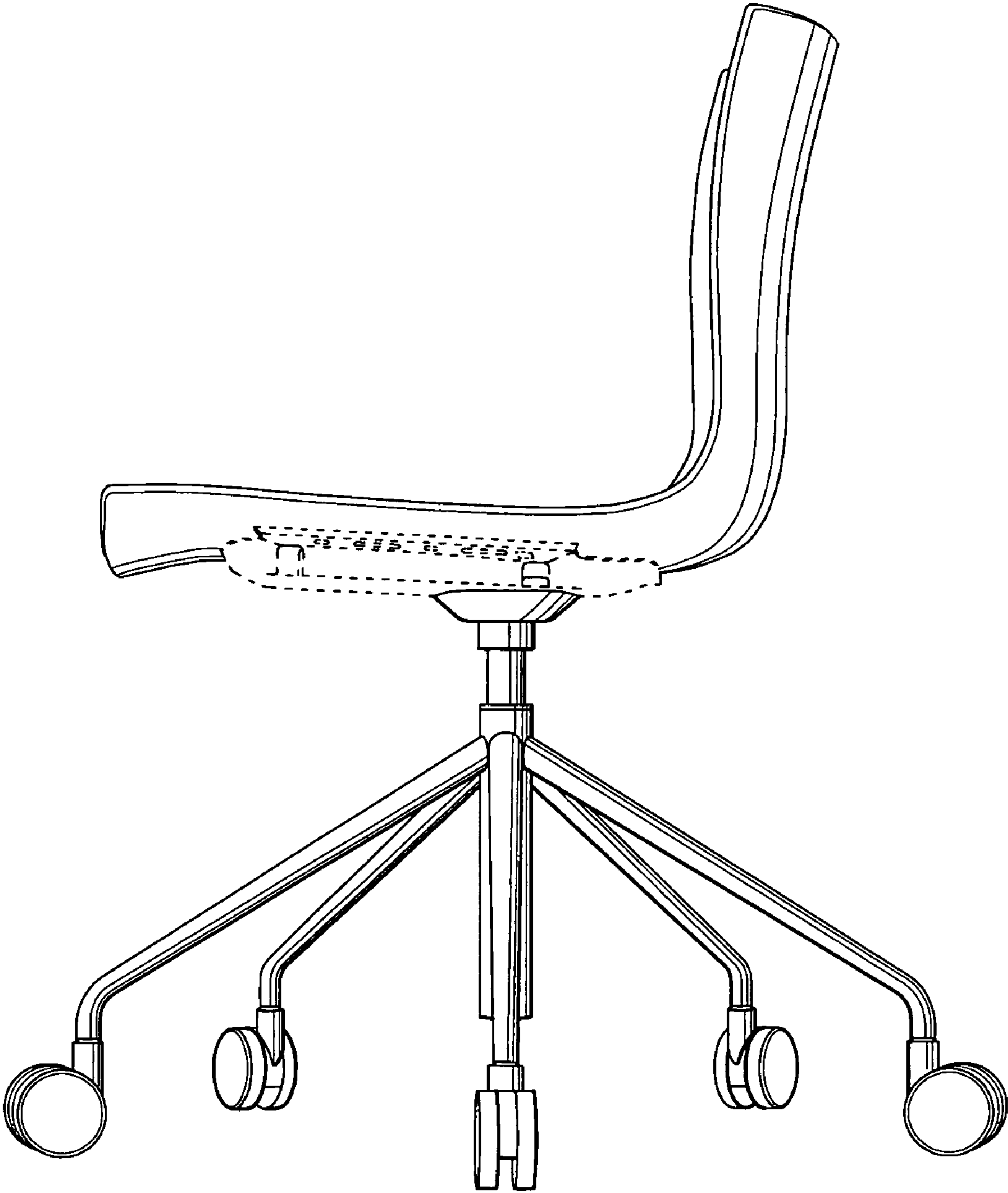


Fig. 12



Fig. 13

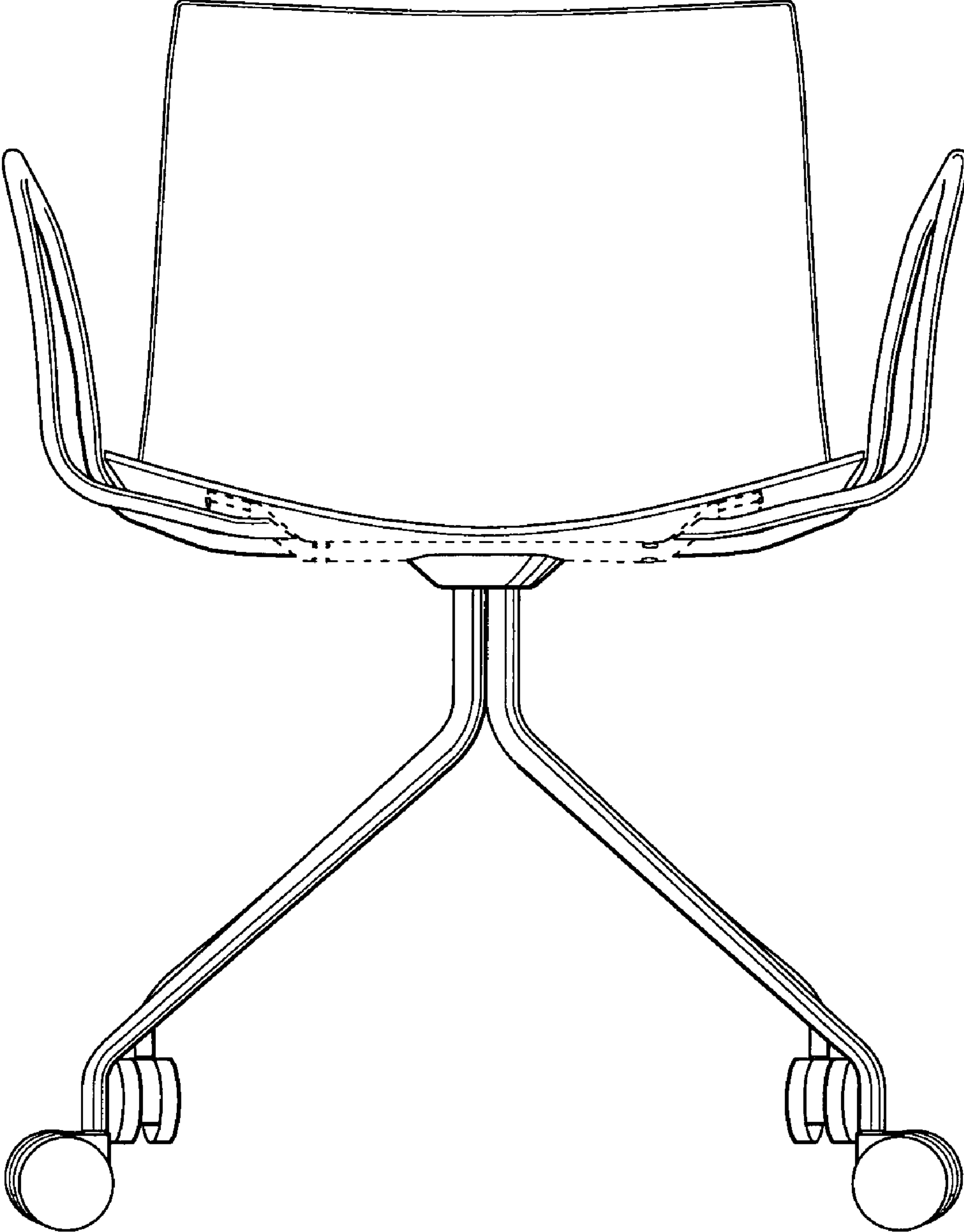


Fig. 14

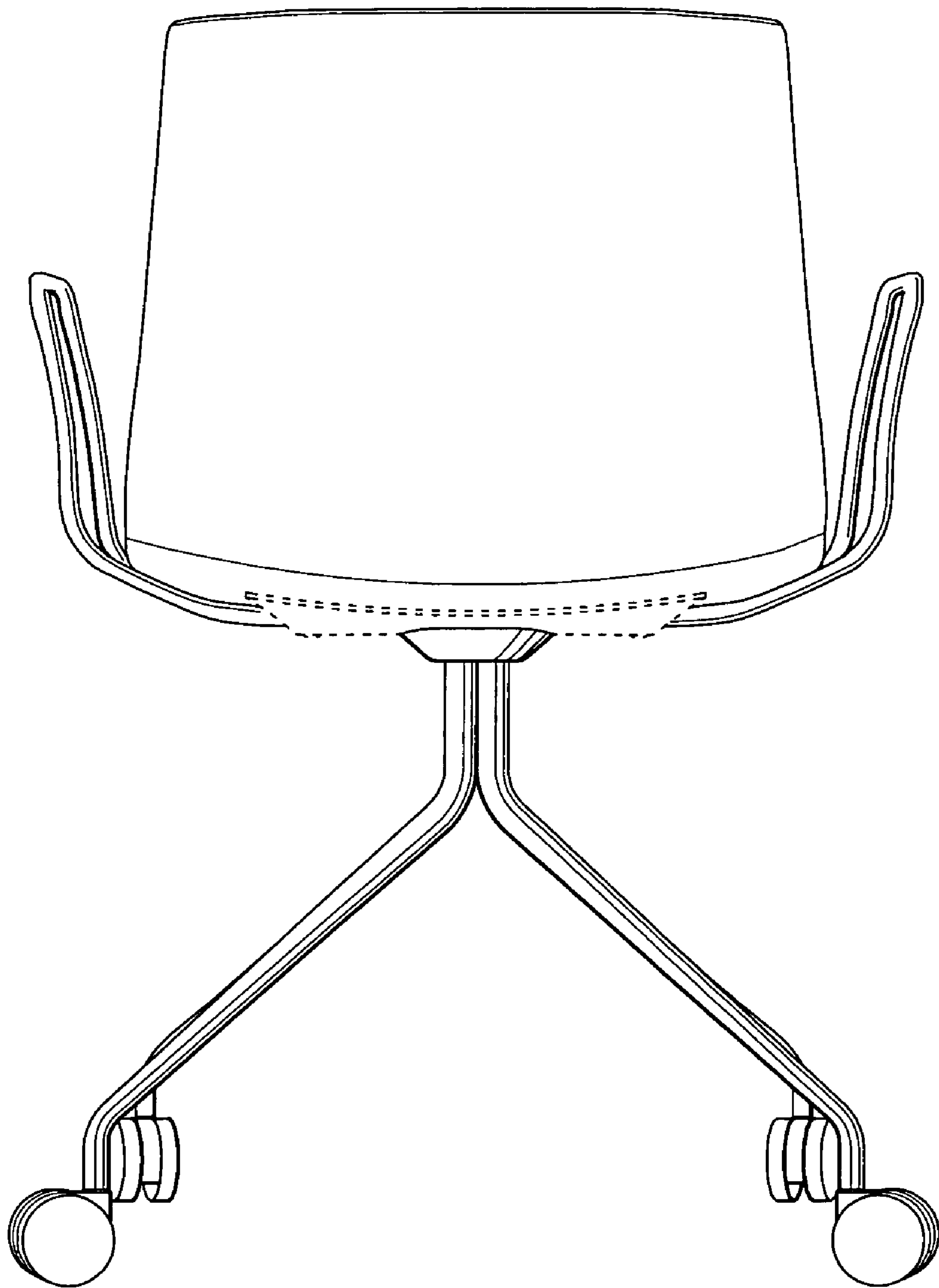


Fig. 15

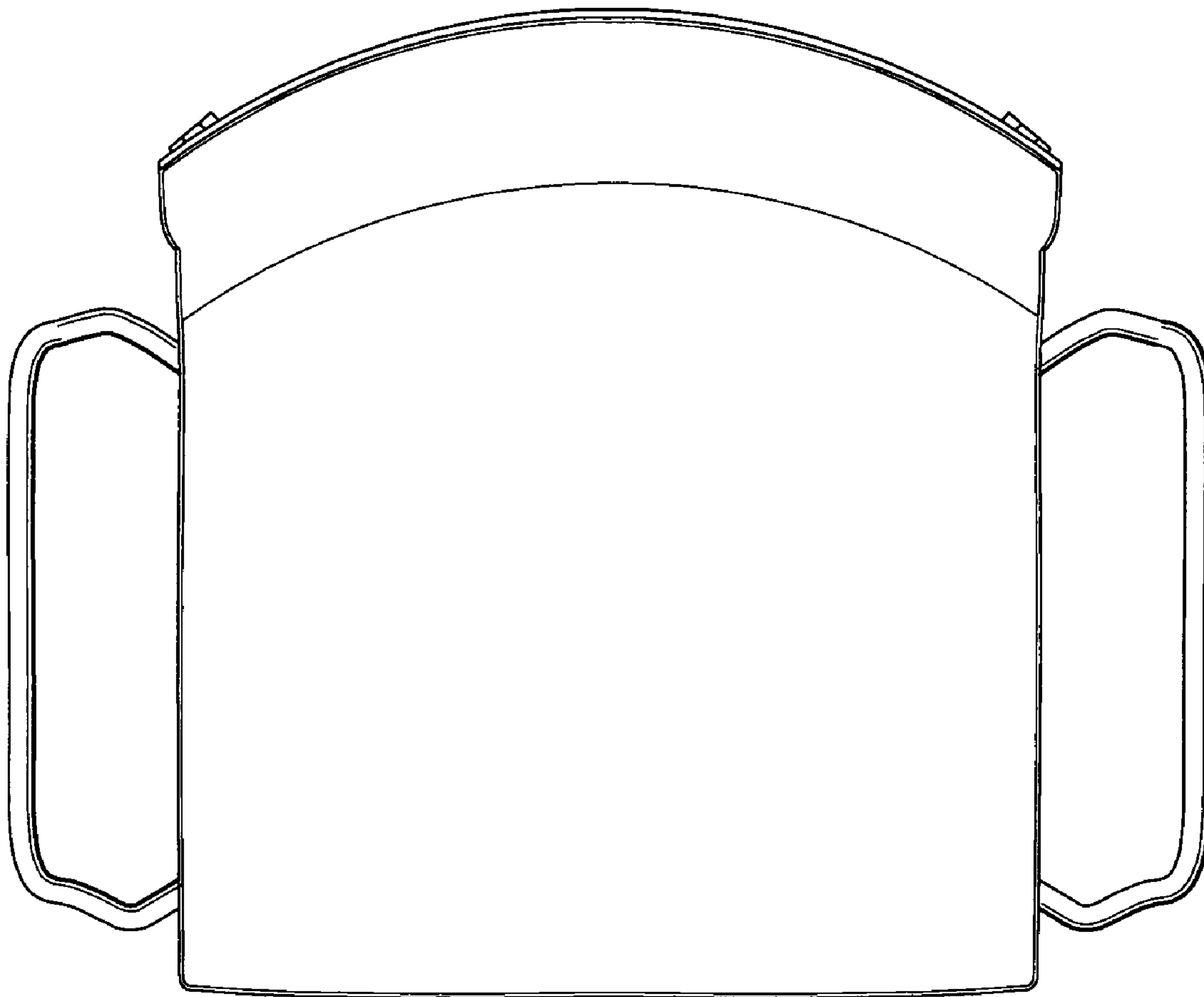


Fig. 16

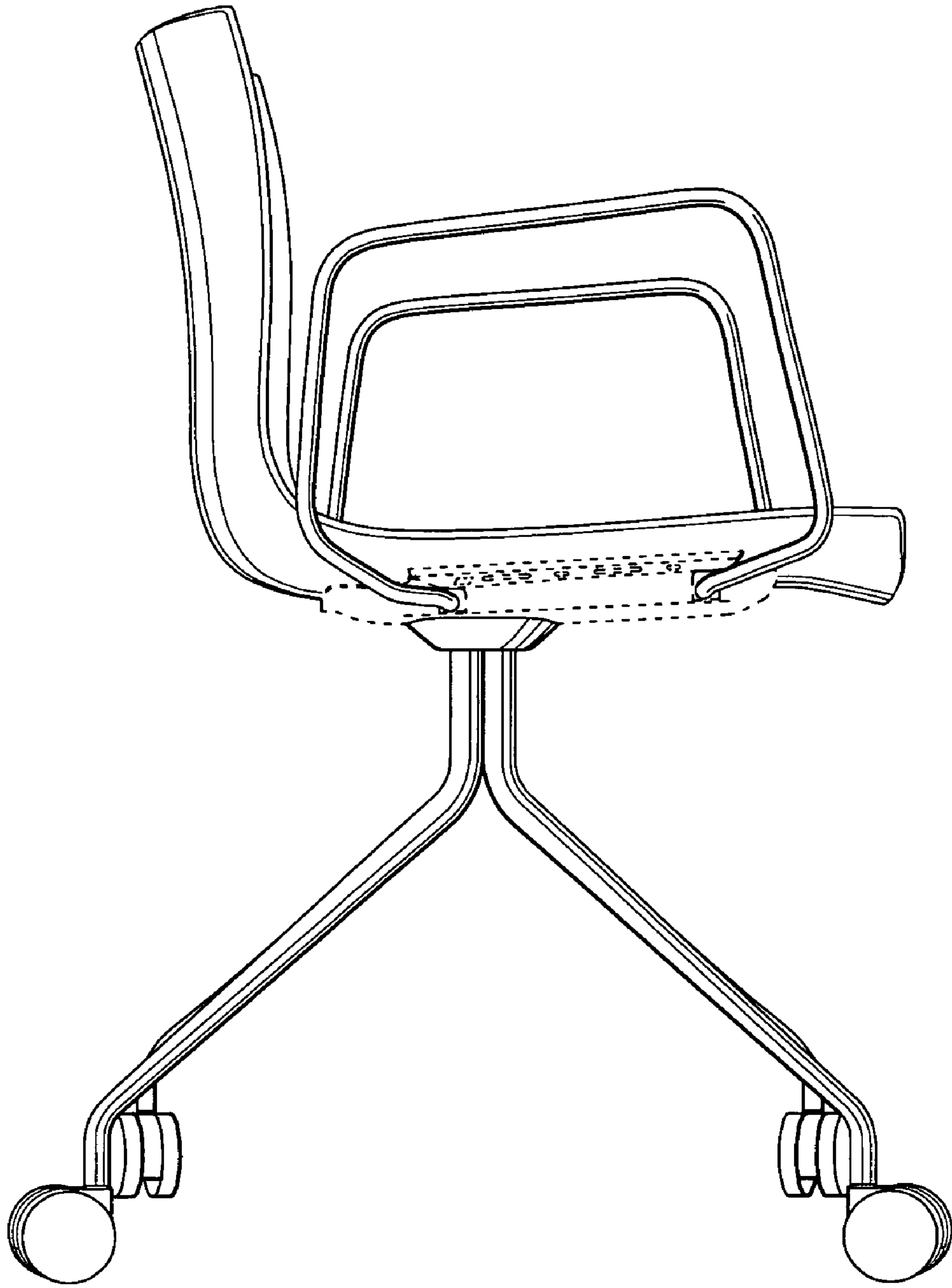


Fig. 17

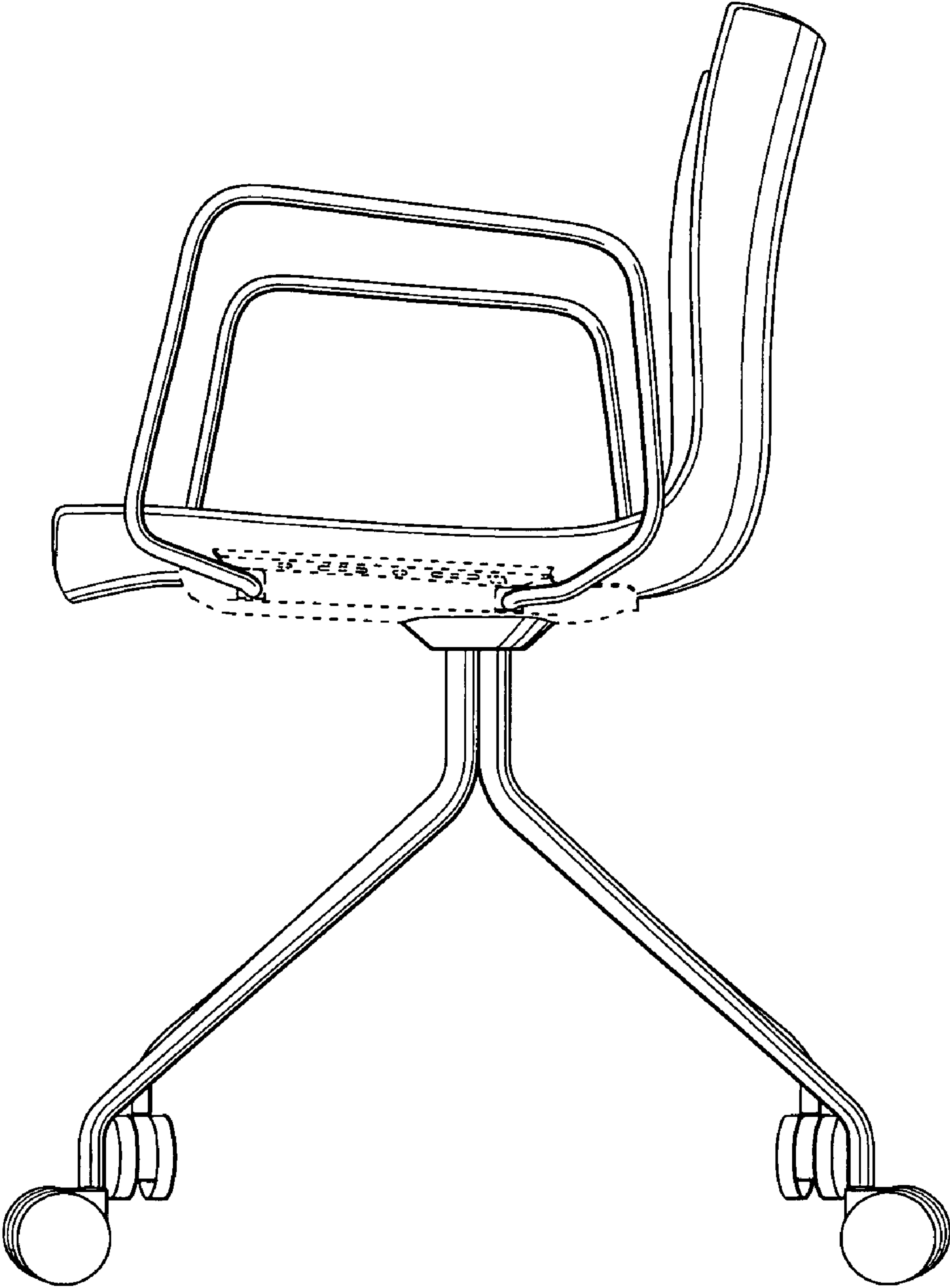


Fig. 18



Fig. 19

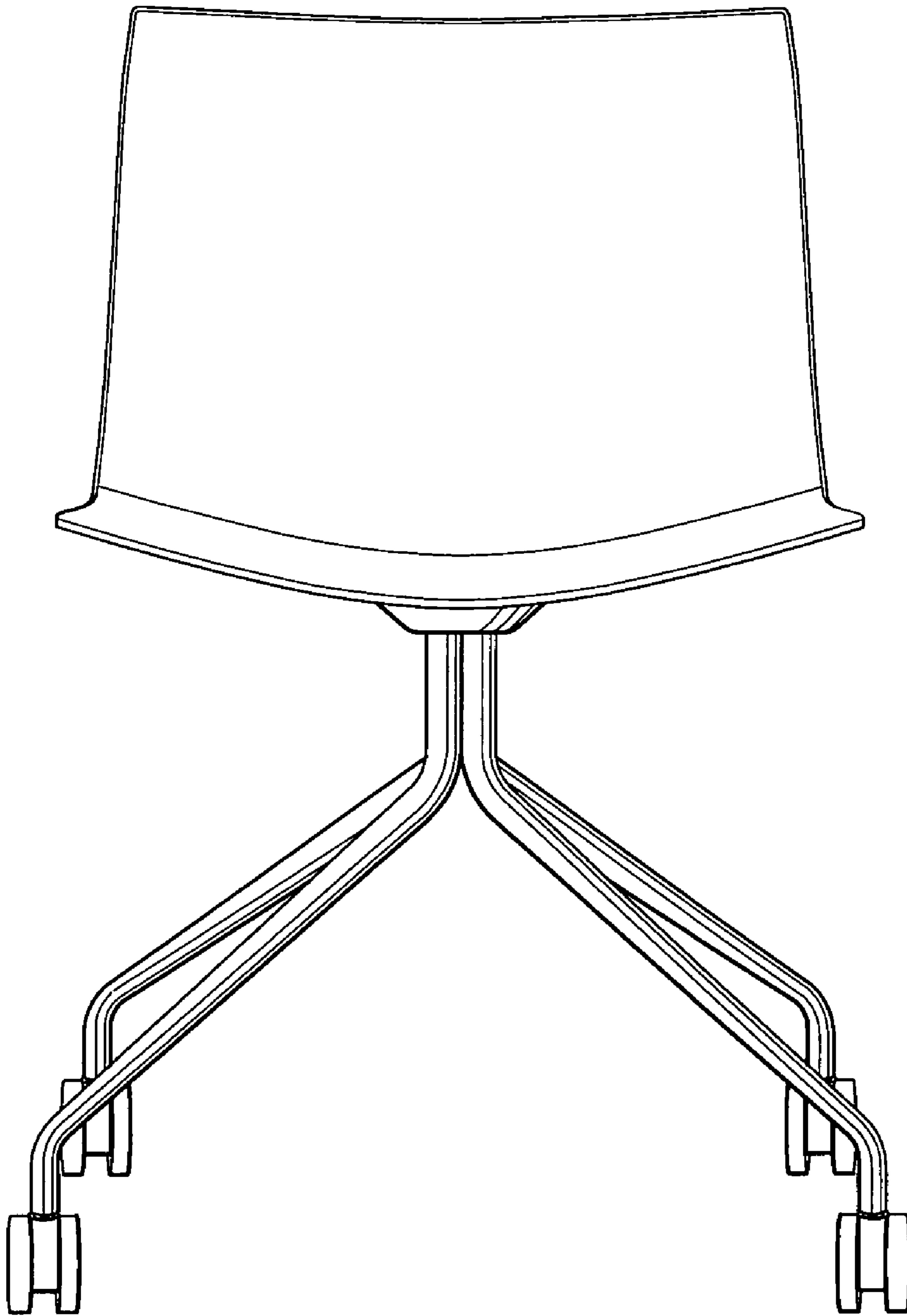


Fig. 20

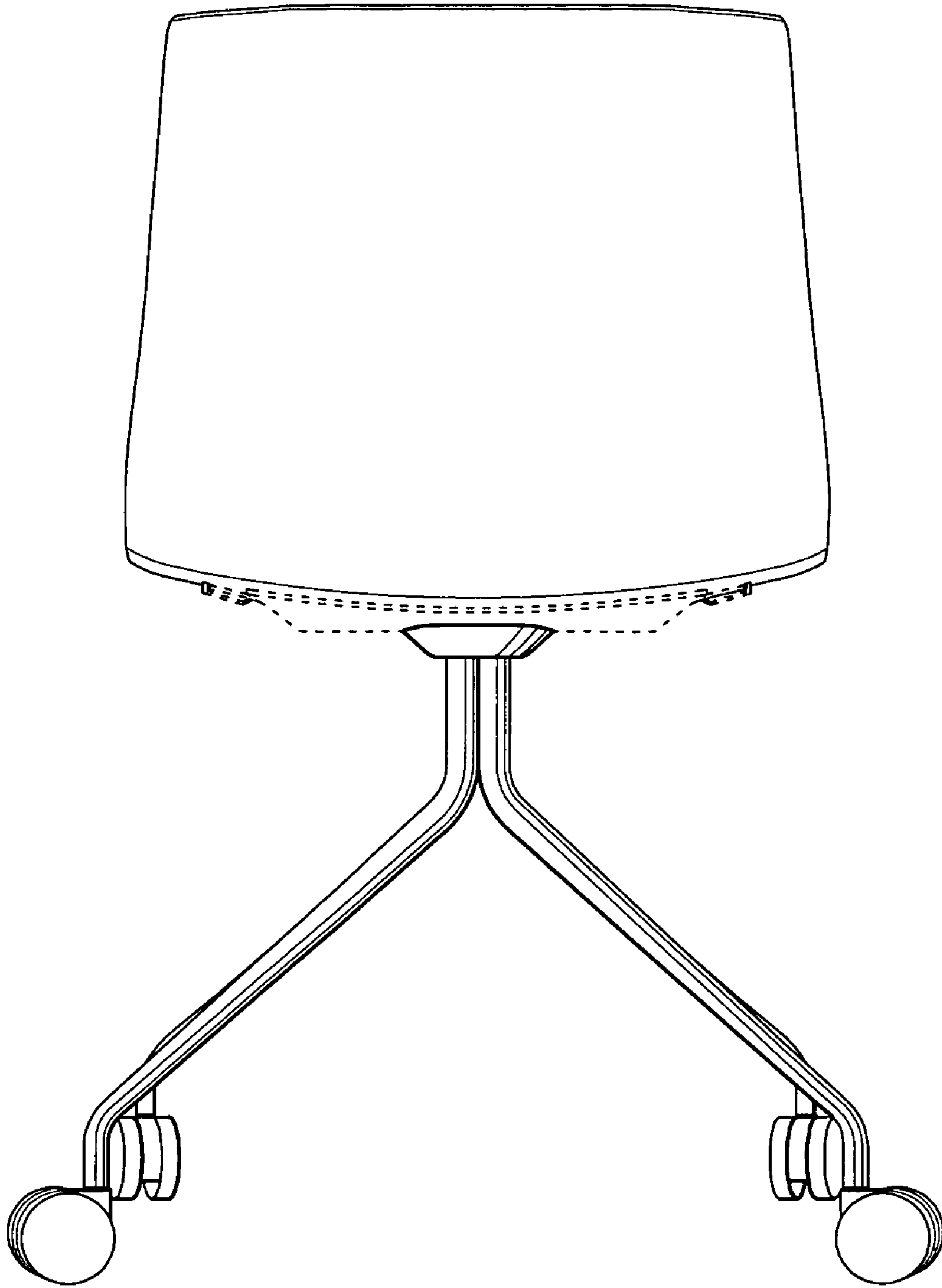


Fig. 21

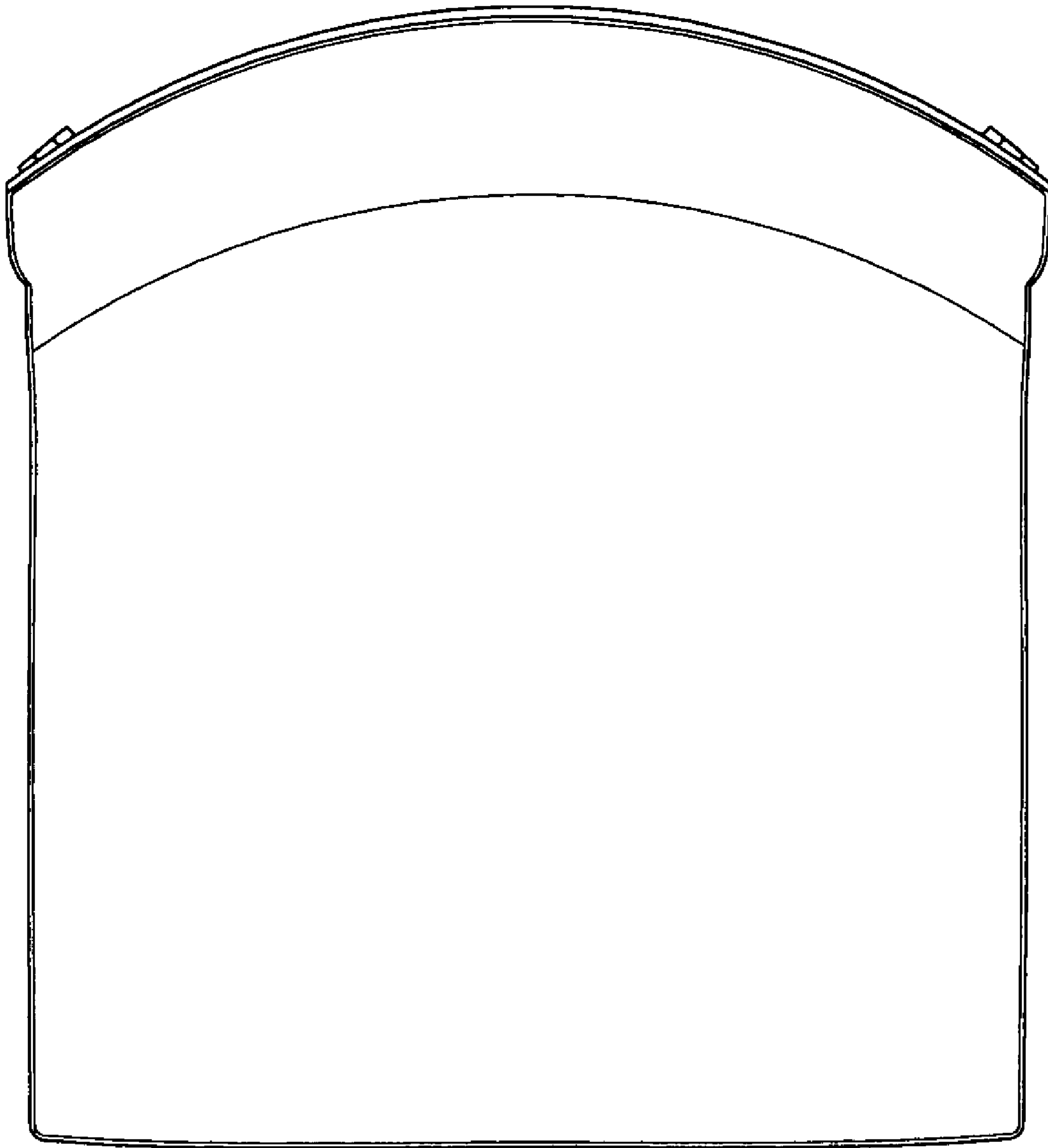


Fig. 22

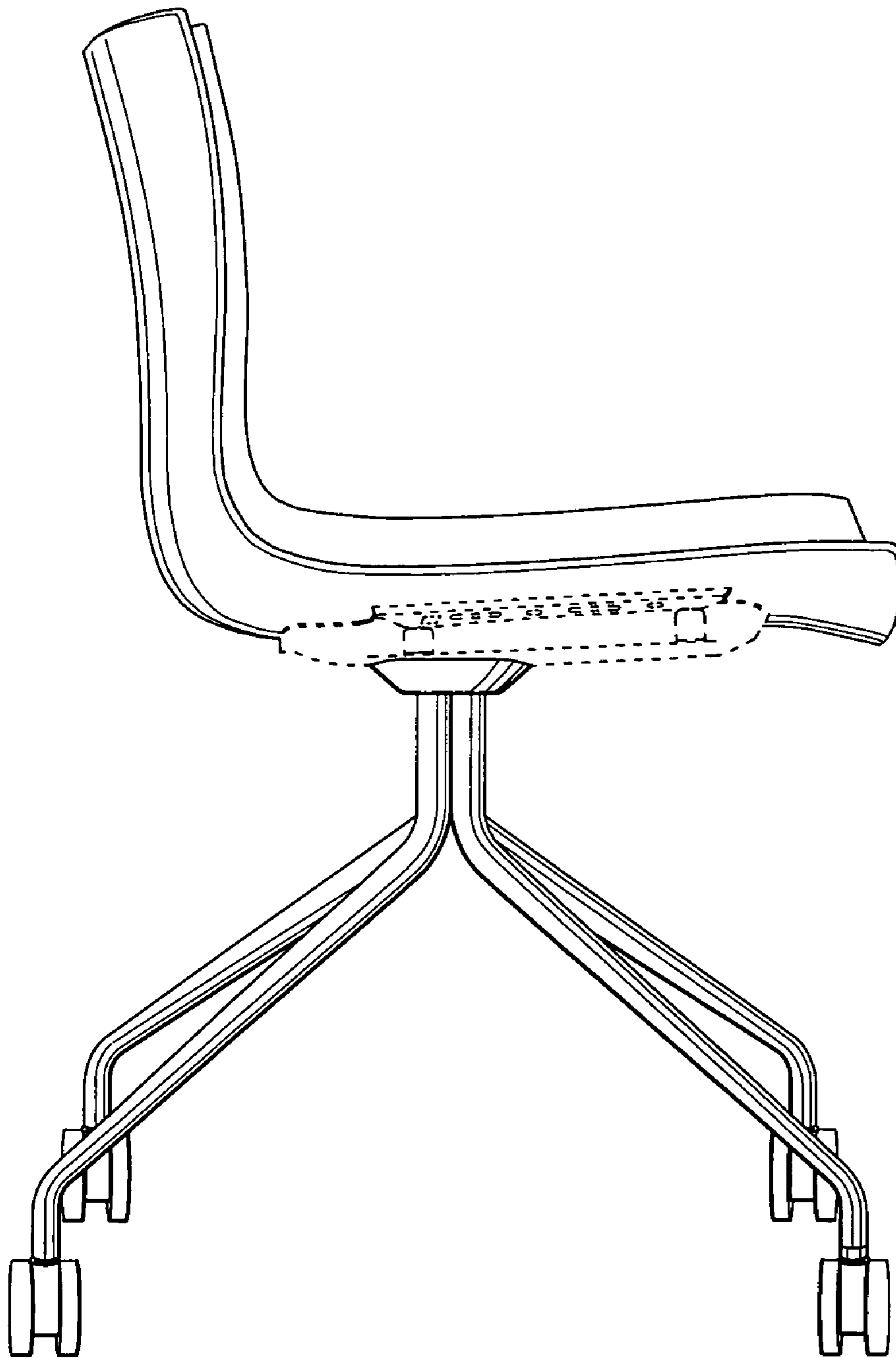


Fig. 23

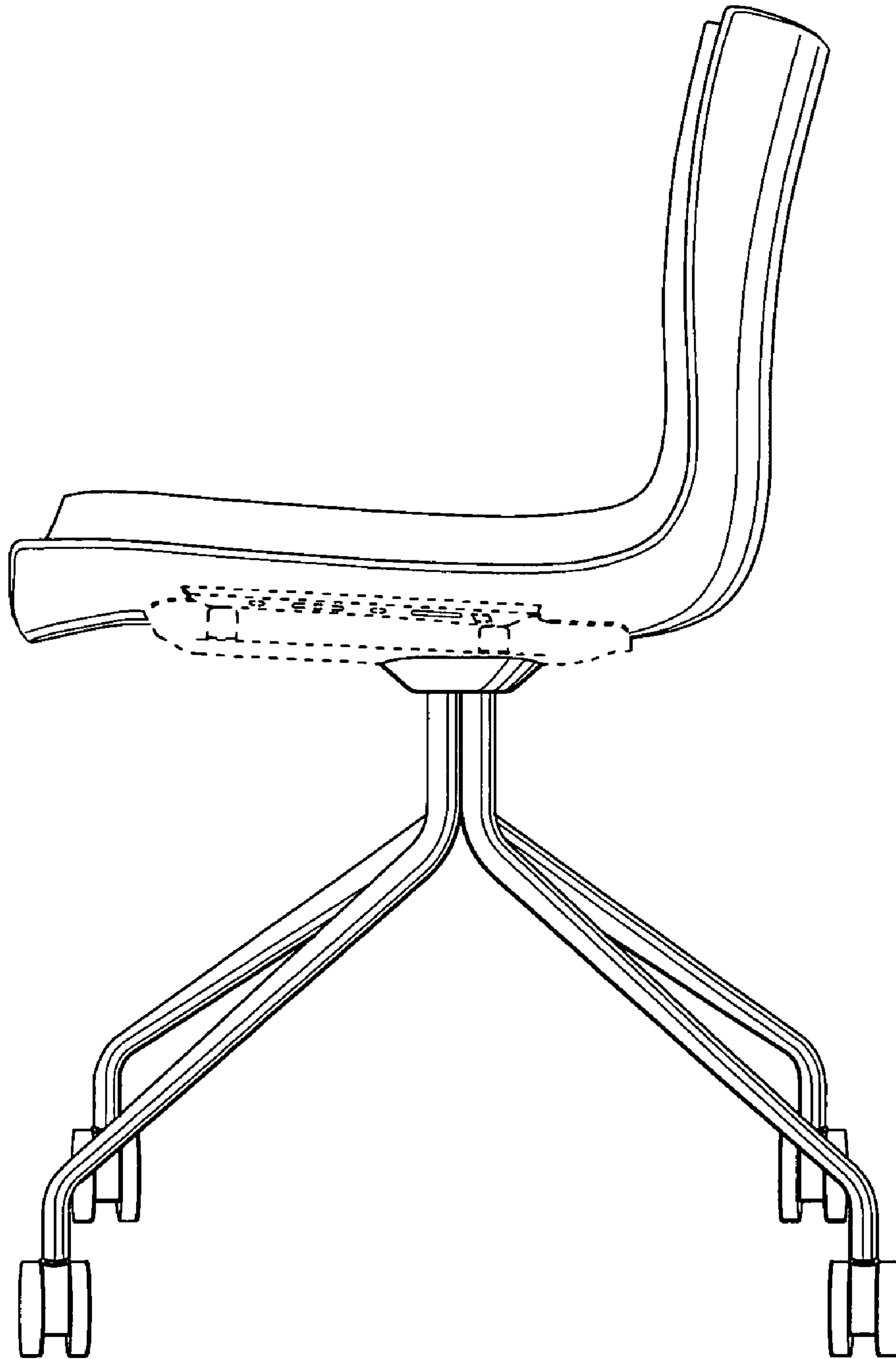


Fig. 24