



US00D638228S

(12) **United States Design Patent**
Chim

(10) **Patent No.:** **US D638,228 S**

(45) **Date of Patent:** **** May 24, 2011**

(54) **PLASTIC SIZER**

(76) **Inventor:** **Ho Pan Jimmy Chim, Hong Kong (CN)**

(**) **Term:** **14 Years**

(21) **Appl. No.:** **29/378,650**

(22) **Filed:** **Nov. 8, 2010**

(51) **LOC (9) Cl.** **06-08**

(52) **U.S. Cl.** **D6/328**

(58) **Field of Classification Search** D6/315,
D6/328; D8/367, 372; 211/13.1, 85.3, 86.01,
211/181.1, 183; 223/85-98

See application file for complete search history.

(56) **References Cited**

U.S. PATENT DOCUMENTS

D421,683 S *	3/2000	Willardson	D6/328
D421,848 S *	3/2000	Willardson	D6/328
D421,849 S *	3/2000	Willardson	D6/328
D421,850 S *	3/2000	Willardson	D6/328
D422,153 S *	4/2000	Willardson	D6/328

D423,798 S *	5/2000	Willardson	D6/328
D424,818 S *	5/2000	Willardson	D6/328
D430,410 S *	9/2000	Willardson	D6/328
D617,566 S *	6/2010	Barnes, Jr.	D6/328

* cited by examiner

Primary Examiner — Shanda C Hill

(74) *Attorney, Agent, or Firm* — Rabin & Berdo, P.C.

(57) **CLAIM**

The ornamental design for a plastic sizer, as shown and described.

DESCRIPTION

FIG. 1 is a perspective view of a plastic sizer showing my new design;

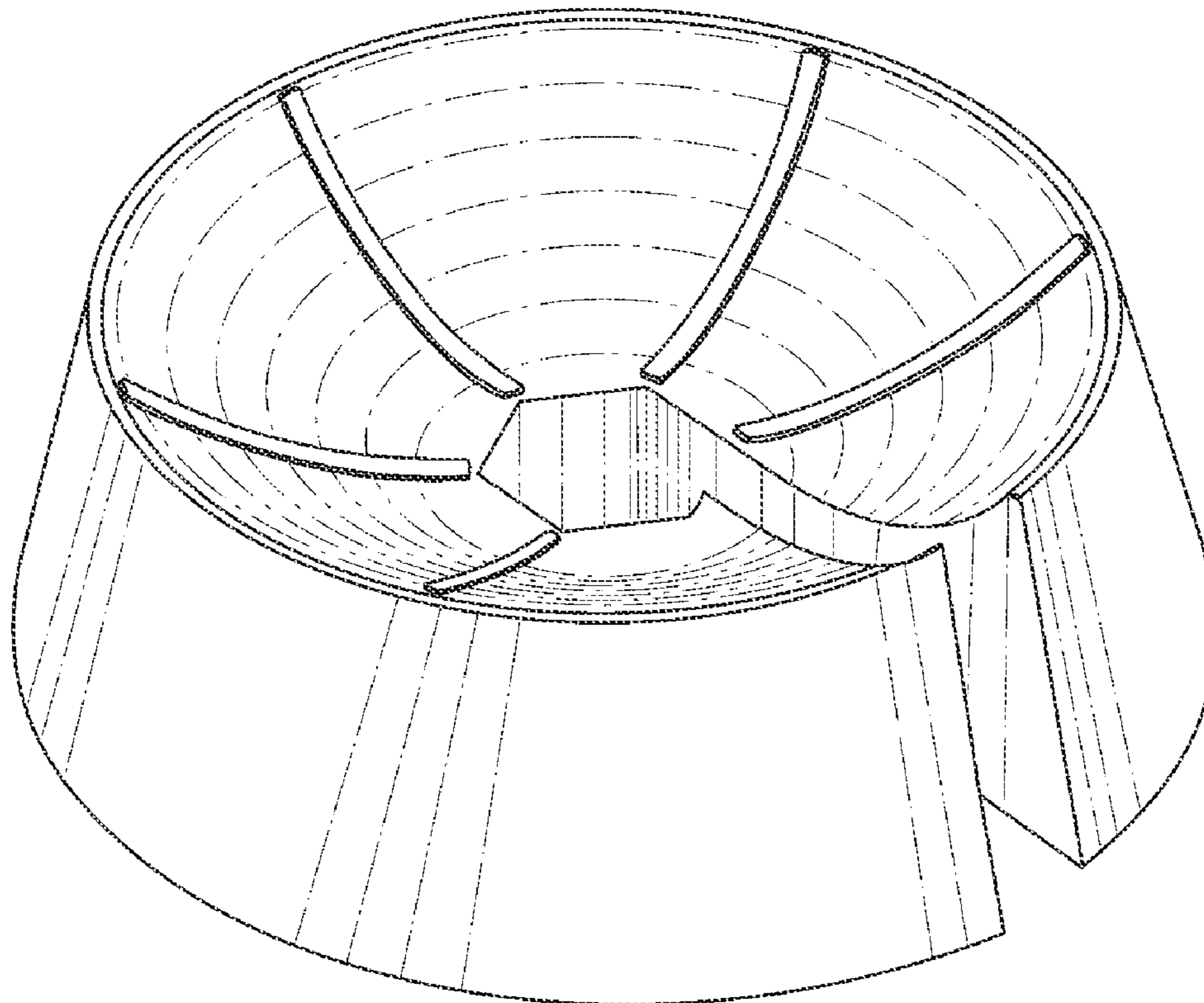
FIG. 2 is a top view thereof;

FIG. 3 is a bottom view thereof; and,

FIG. 4 is another perspective view thereof.

The broken lines shown in the drawing disclosure are for illustrative purposes only and form no part of the claimed design.

1 Claim, 4 Drawing Sheets



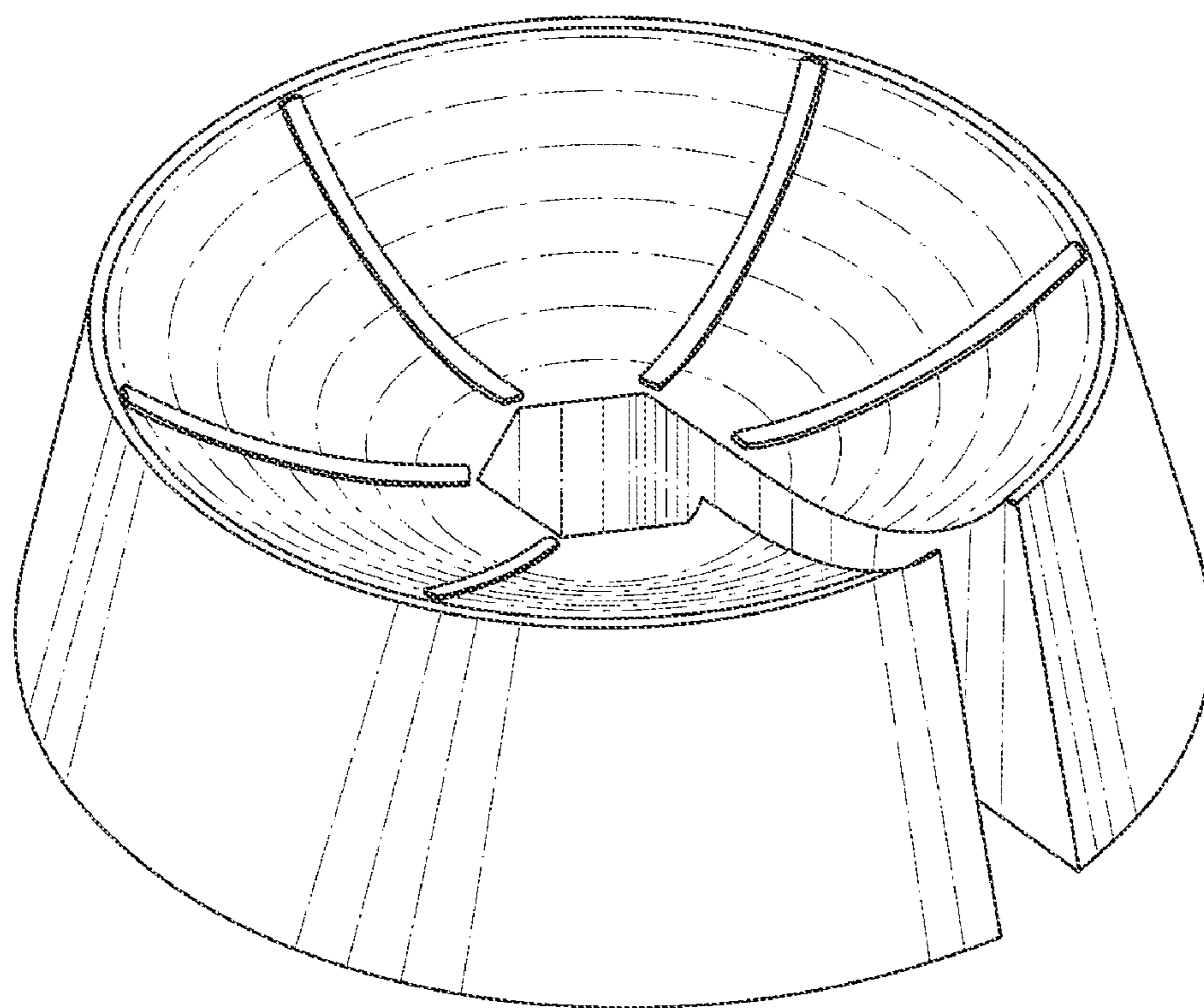


Fig. 1

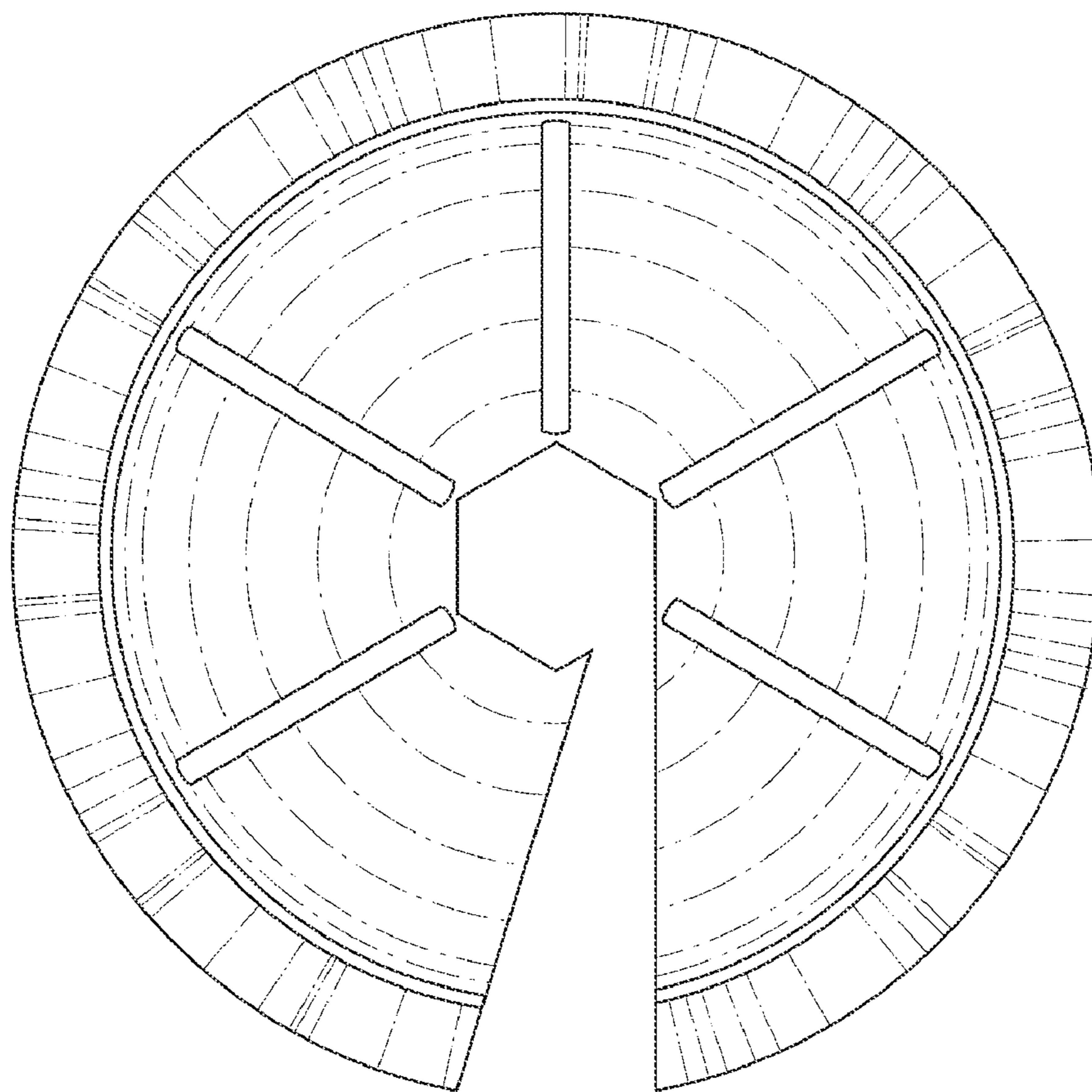


Fig. 2

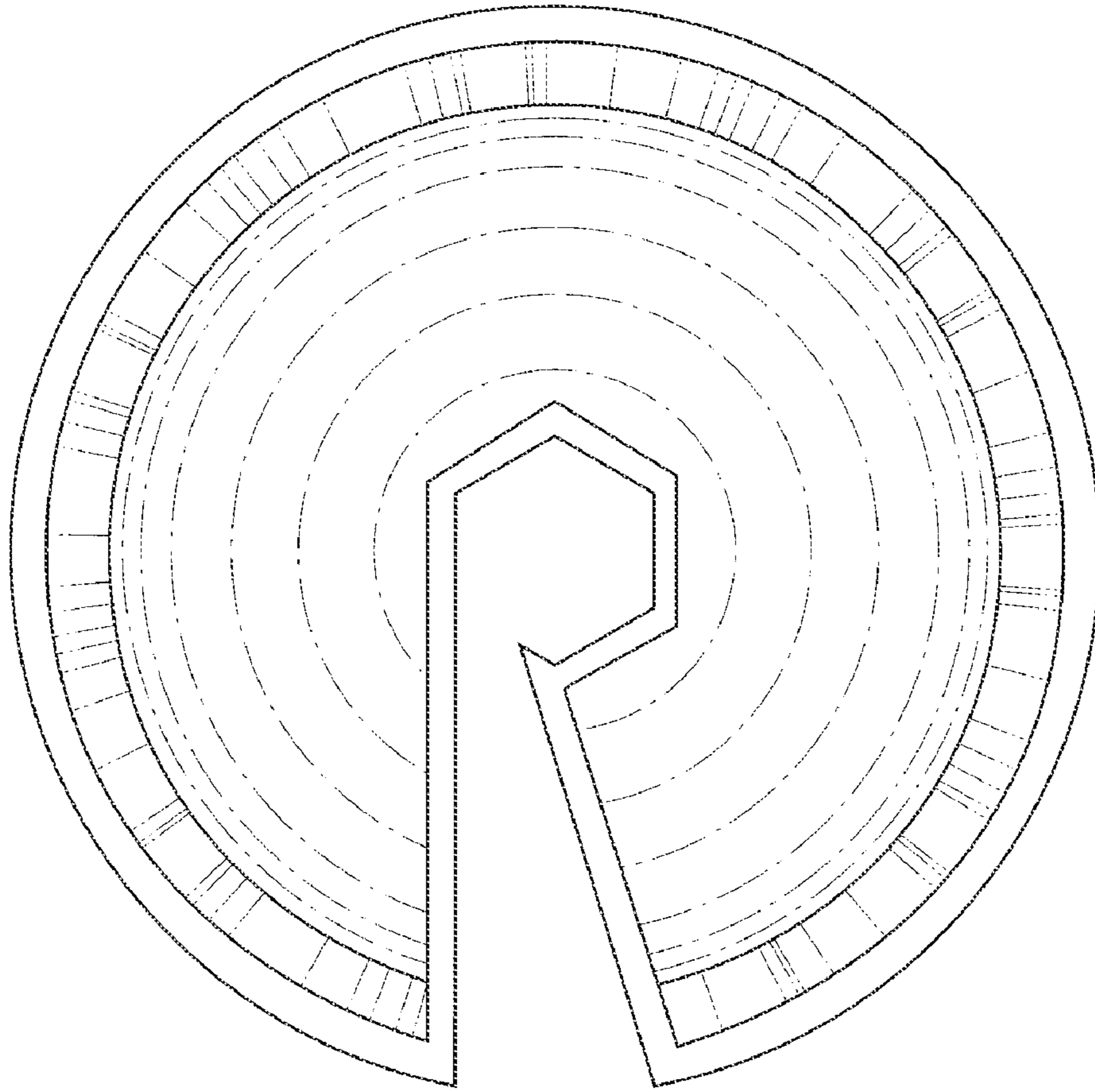


Fig. 3

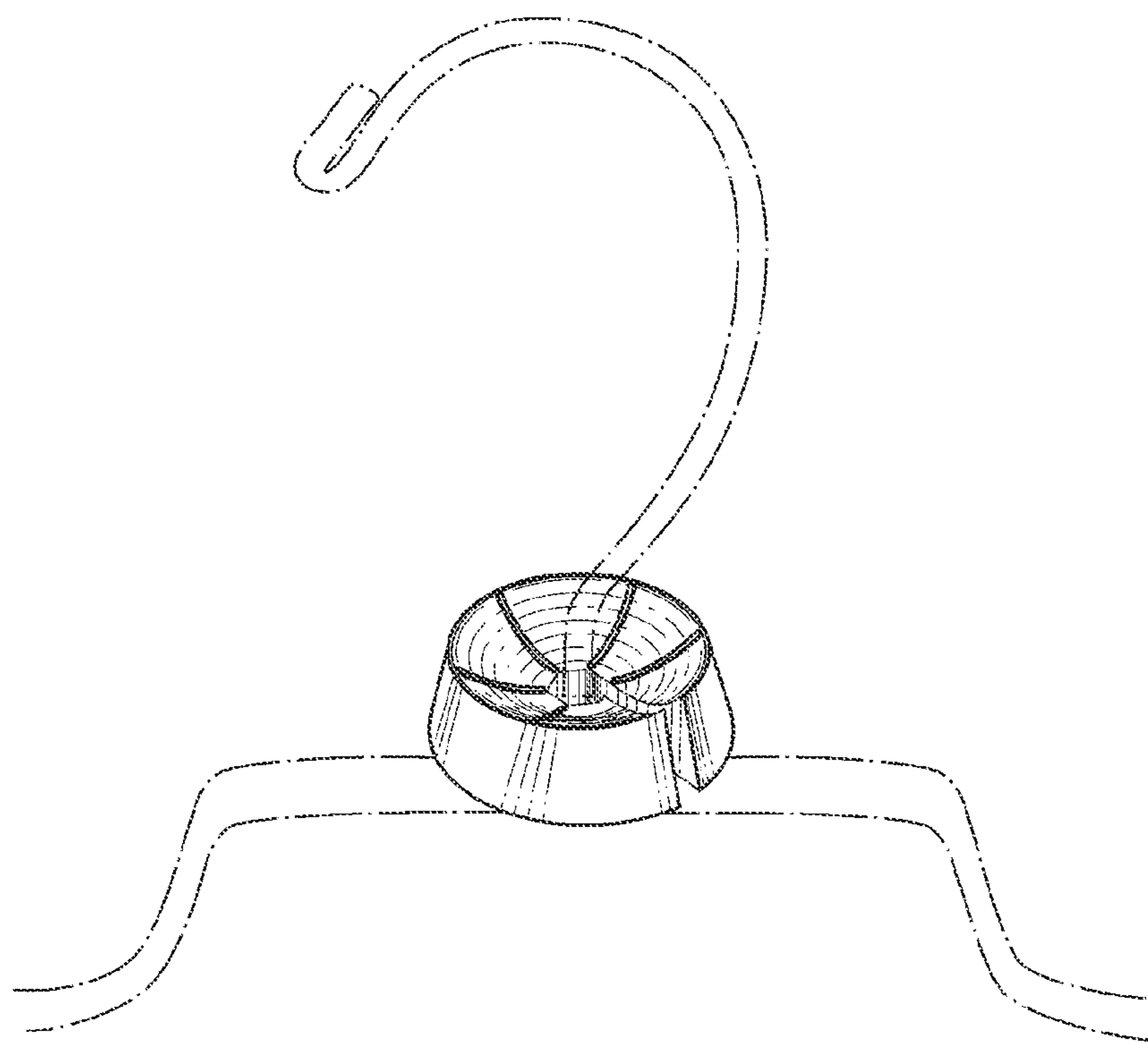


Fig. 4