



US00D638219S

(12) **United States Design Patent**
Wu et al.

(10) **Patent No.:** **US D638,219 S**

(45) **Date of Patent:** **** May 24, 2011**

(54) **SUPPORTING COLUMN FOR STORAGE BOX**

Primary Examiner — Holly Baynham

(75) Inventors: **Yira Wu**, Taichung County (TW); **Joe Chang**, Taichung County (TW); **Yang Lai**, Taichung County (TW); **Chuan Hong Wang**, Taichung County (TW)

(74) *Attorney, Agent, or Firm* — Pai Patent & Trademark Law Firm; Chao-Chang David Pai

(73) Assignee: **Shuter Enterprise Co., Ltd.**, Taichung County (TW)

(57) **CLAIM**

The ornamental design for a supporting column for a storage box, as shown and described.

(**) Term: **14 Years**

(21) Appl. No.: **29/361,363**

DESCRIPTION

(22) Filed: **May 10, 2010**

(51) **LOC (9) Cl.** **03-01**

(52) **U.S. Cl.** **D3/318**

(58) **Field of Classification Search** D3/318;
206/503, 510, 513, 518; 220/1.5, 23.6, 23.83

See application file for complete search history.

FIG. 1 shows a perspective view of the present design; FIG. 2 shows a front elevational view of the present design; FIG. 3 shows a rear elevational view of the present design; FIG. 4 shows a left elevational view of the present design; FIG. 5 shows a right elevational view of the present design; FIG. 6 shows a top plan view of the present design; FIG. 7 shows a bottom plan view of the present design; and, FIG. 8 is a reduced scale perspective drawing showing the supporting columns of the present design are used in cooperation with storage boxes.

(56) **References Cited**

U.S. PATENT DOCUMENTS

3,167,808 A * 2/1965 Lindenberg et al. 16/444

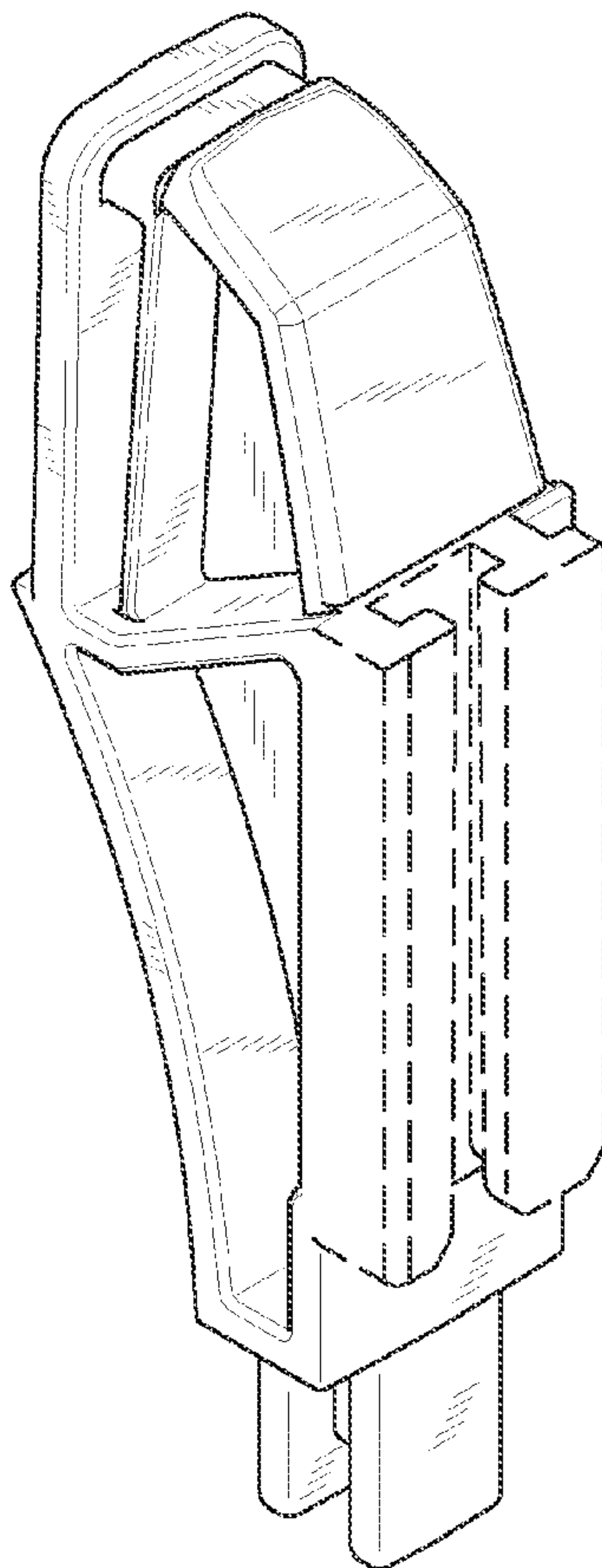
4,711,355 A * 12/1987 Veenman 206/503

D423,220 S * 4/2000 McDade D3/318

The broken lines showing a portion of the support and storage bins are for the purposes of showing environment and form no part of the claimed design.

* cited by examiner

1 Claim, 5 Drawing Sheets



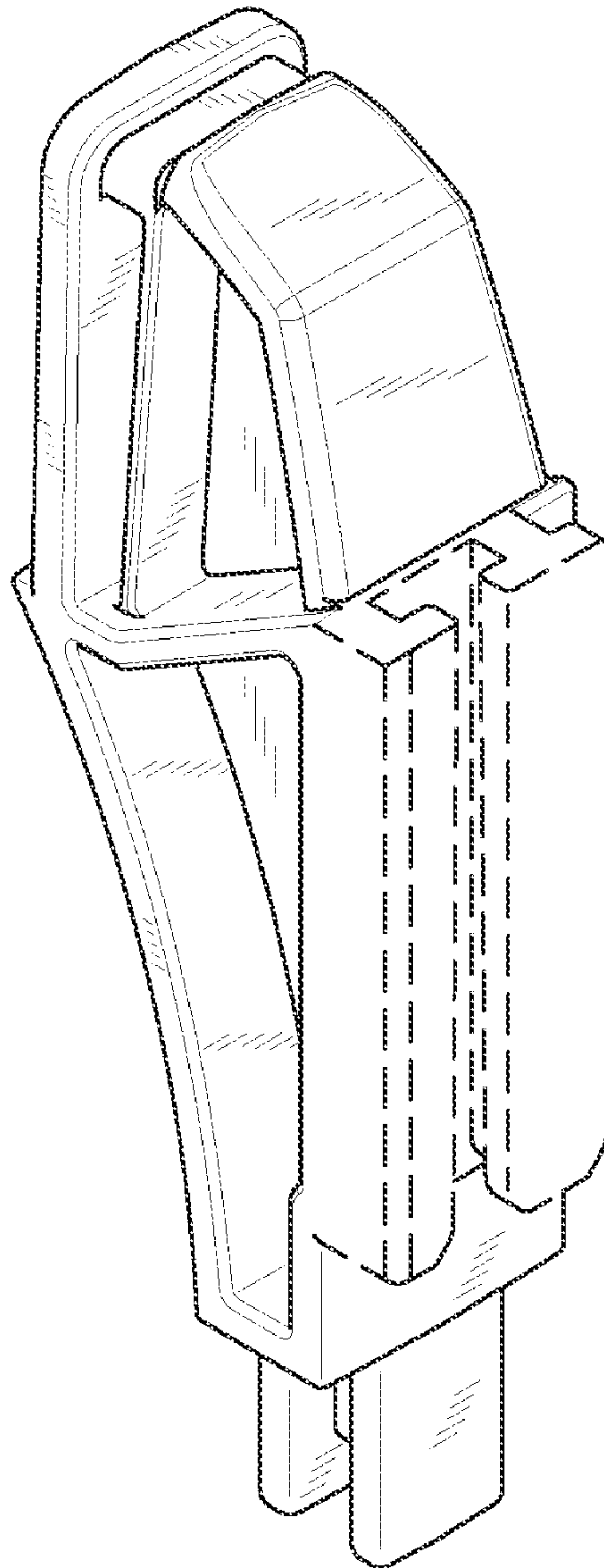


FIG. 1

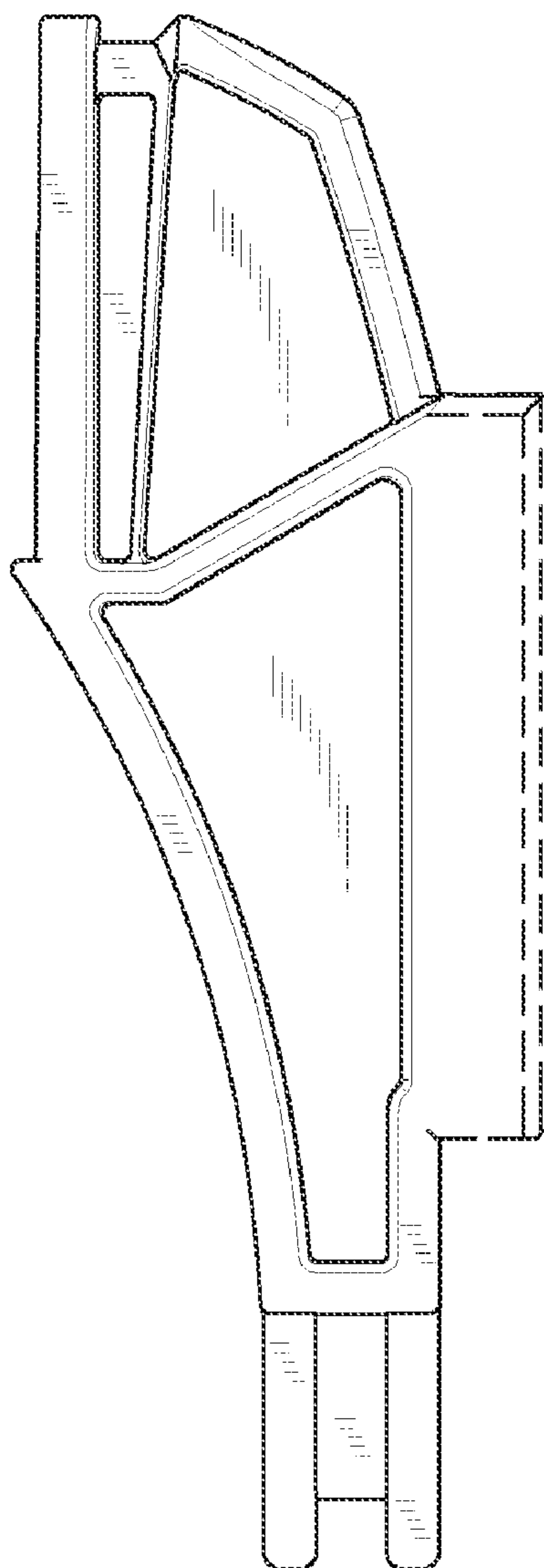


FIG. 2

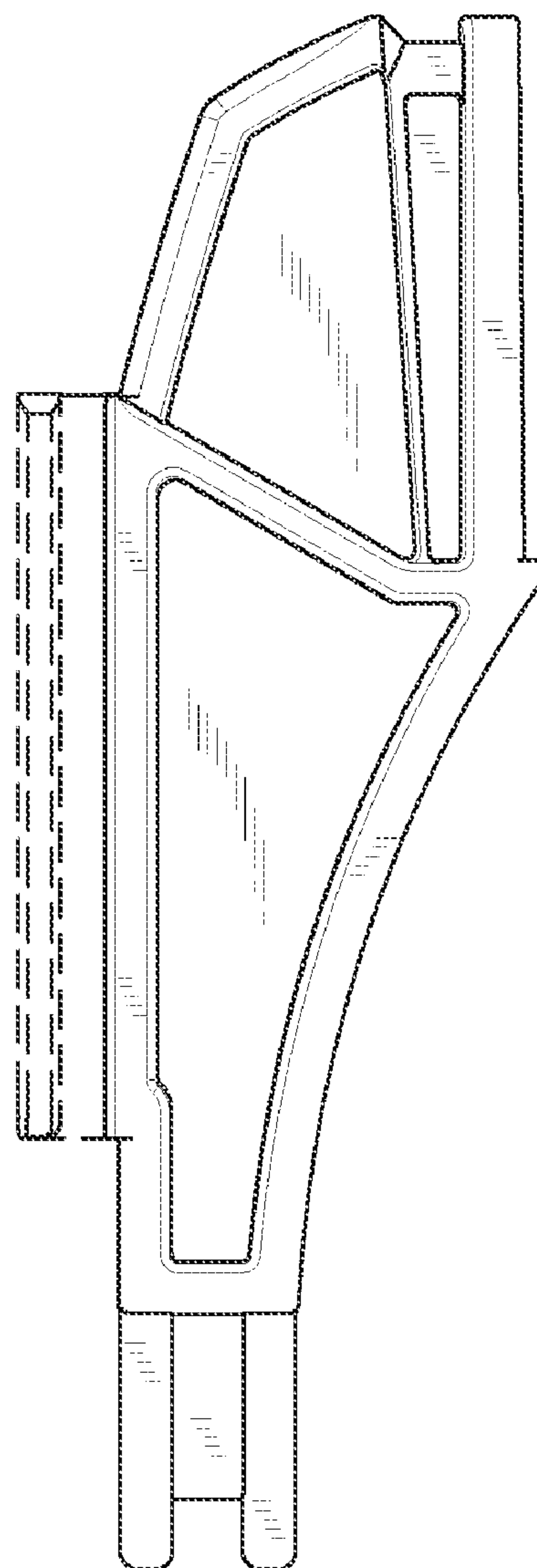


FIG. 3

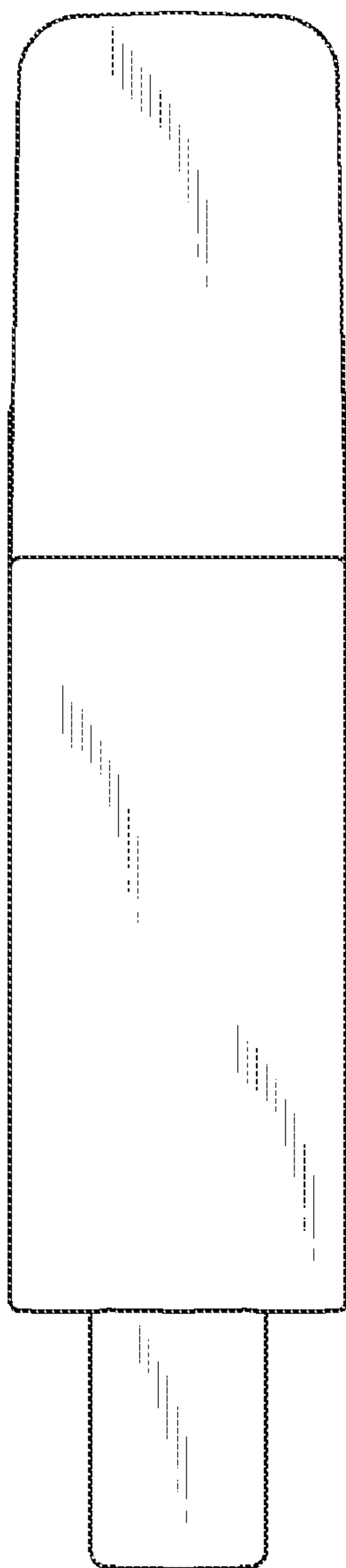


FIG. 4

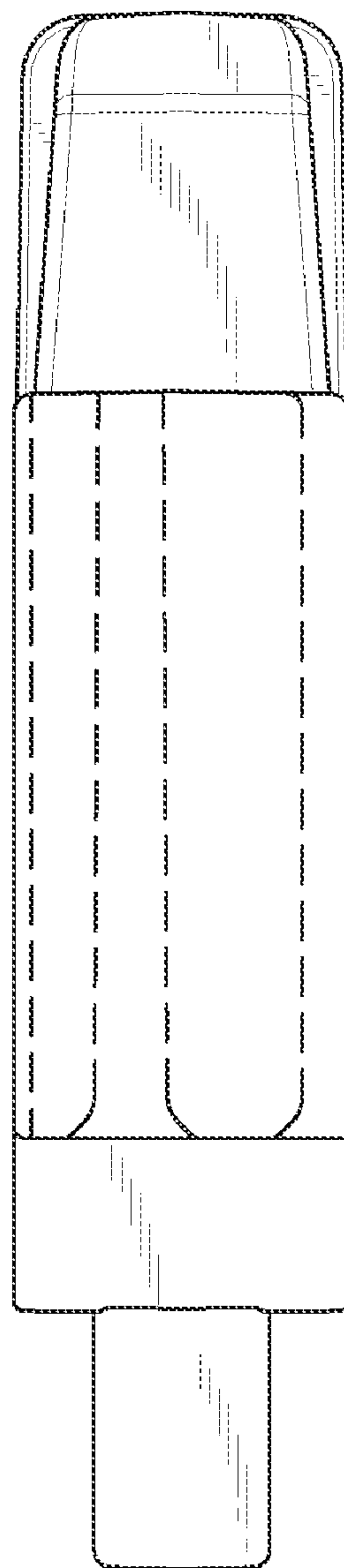


FIG. 5

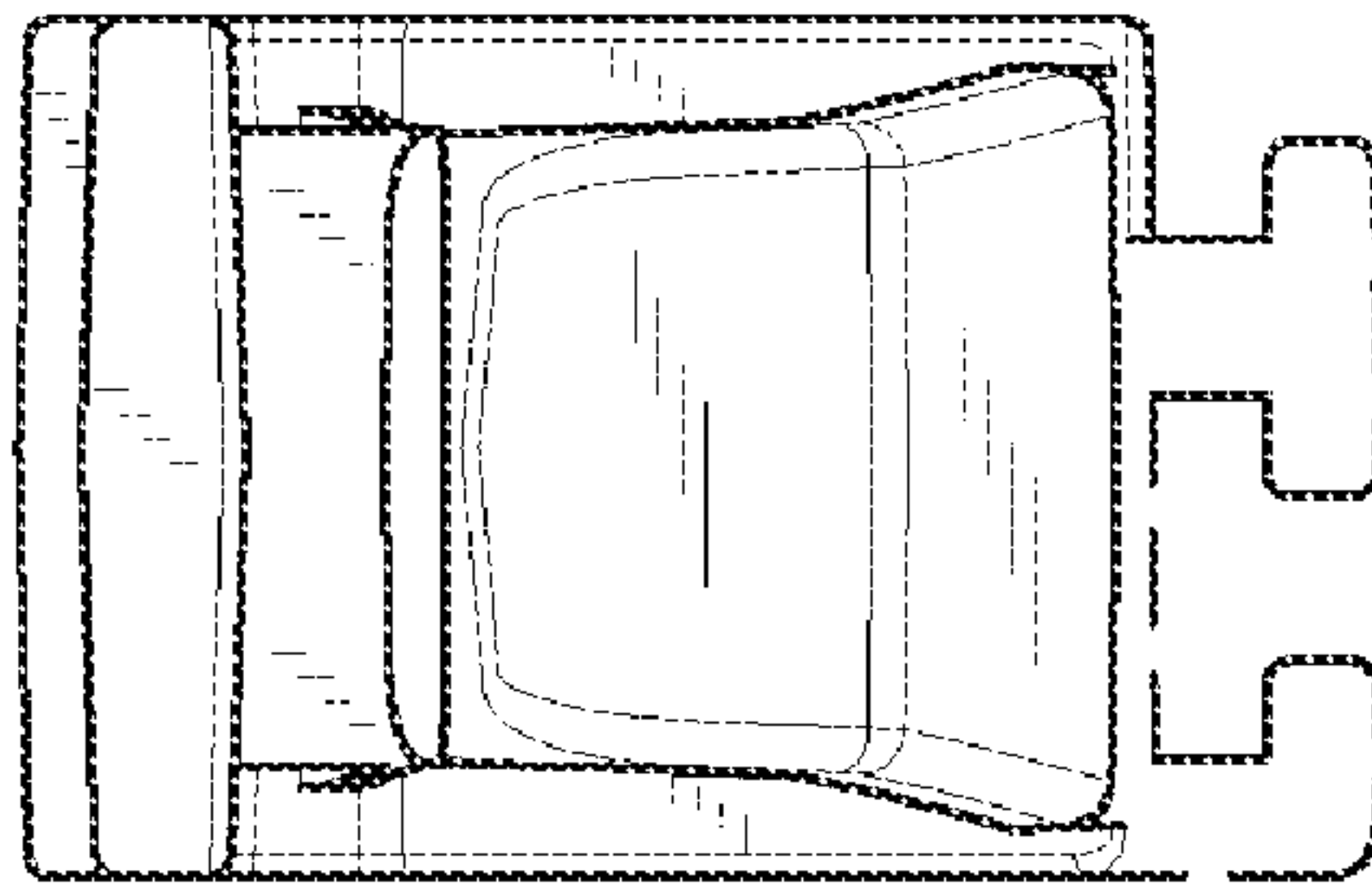


FIG. 6

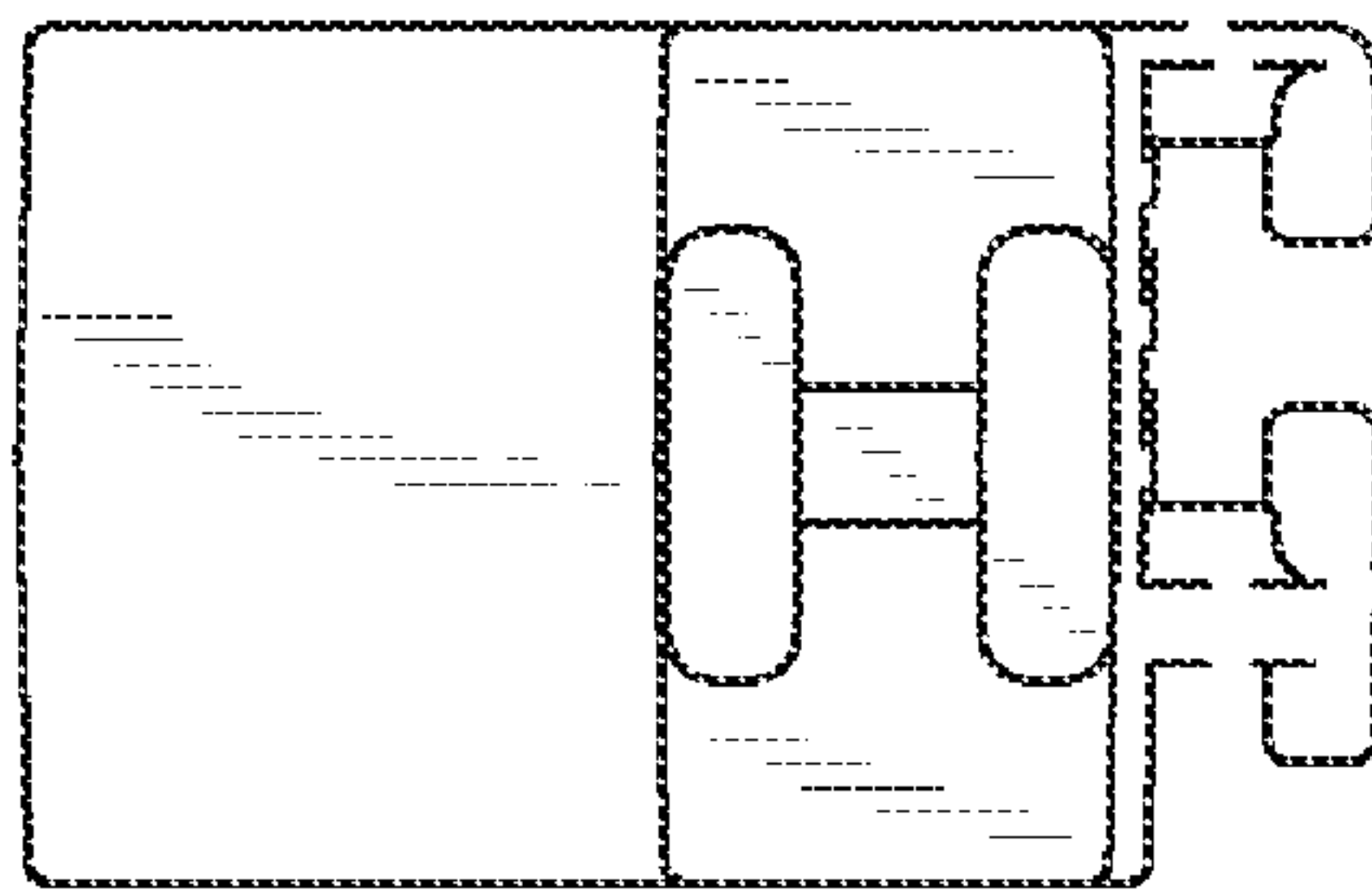


FIG. 7

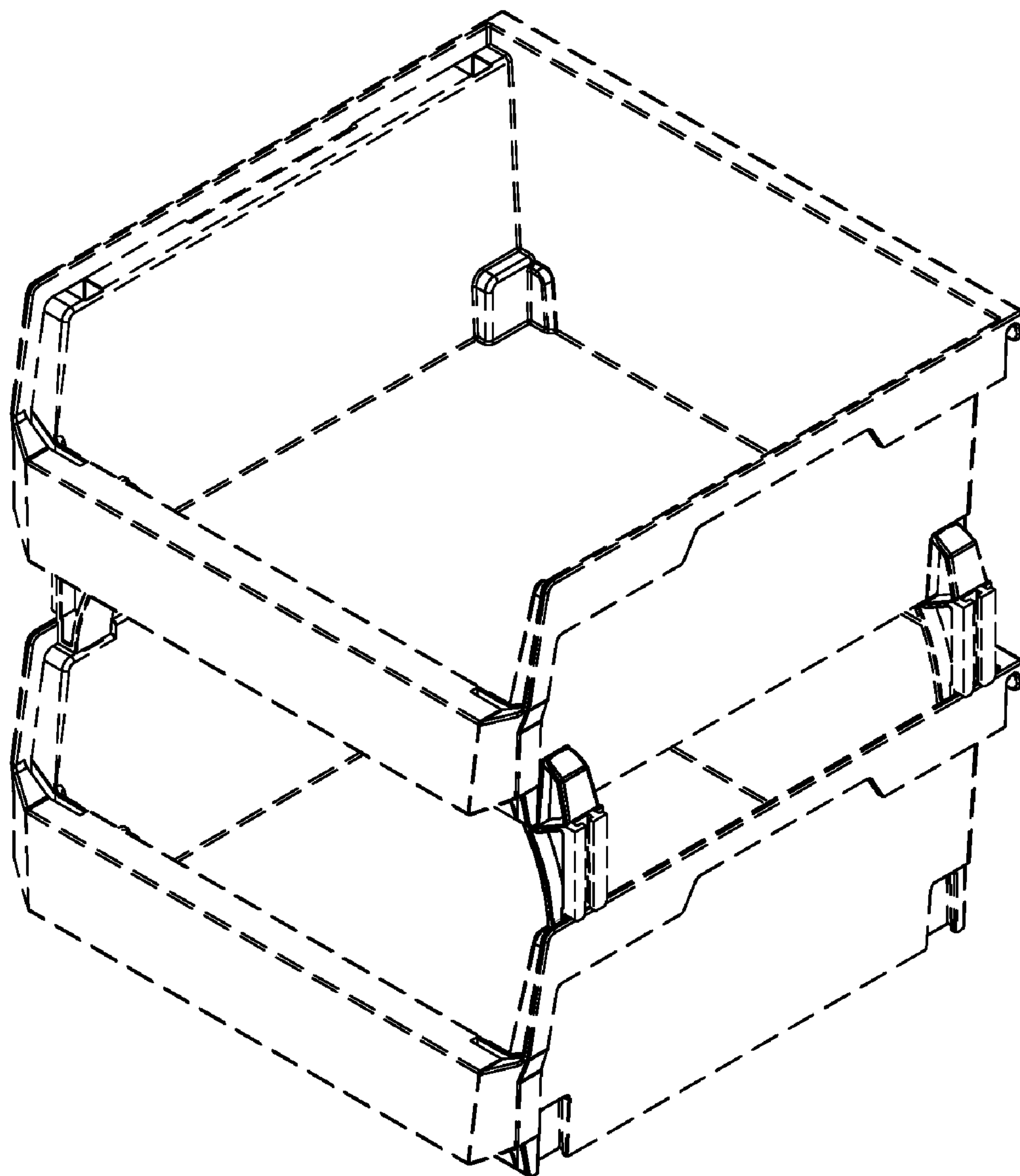


FIG. 8