



US00D638213S

(12) **United States Design Patent**  
**Funck**

(10) **Patent No.:** **US D638,213 S**

(45) **Date of Patent:** **\*\* May 24, 2011**

(54) **FOOTWEAR**

(75) Inventor: **Kristina Funck**, Portland, OR (US)

(73) Assignee: **Columbia Sportswear North America, Inc.**, Portland, OR (US)

(\*\*) Term: **14 Years**

(21) Appl. No.: **29/377,487**

(22) Filed: **Oct. 21, 2010**

(51) **LOC (9) Cl.** ..... **02-99**

(52) **U.S. Cl.** ..... **D2/970; D2/910**

(58) **Field of Classification Search** ..... D2/896,  
D2/900, 909-911, 946, 969, 970; 36/83,  
36/84, 87, 1.5, 2 R, 109, 3 A, 7.1 R, 45, 52,  
36/112, 100

See application file for complete search history.

(56) **References Cited**

**U.S. PATENT DOCUMENTS**

D105,890 S *	8/1937	Mondl	.....	D2/911
D106,649 S *	10/1937	Casey	.....	D2/911
D127,993 S *	7/1941	Hard	.....	D2/911
D133,632 S *	9/1942	Bingham, Jr.	.....	D2/911
D145,453 S *	8/1946	L'Hollier	.....	D2/911
D173,138 S *	10/1954	Bingham, Jr.	.....	D2/911
D173,932 S *	2/1955	Bingham, Jr.	.....	D2/911

D233,636 S *	11/1974	Schnelder	.....	D2/910
D380,592 S *	7/1997	Whittington	.....	D2/910
D449,152 S *	10/2001	Besko	.....	D2/911

\* cited by examiner

*Primary Examiner* — Robert M Spear

*Assistant Examiner* — Rashida C McCoy

(74) *Attorney, Agent, or Firm* — Schwabe, Williamson & Wyatt, P.C.

(57) **CLAIM**

I claim an ornamental design for footwear, as shown and described.

**DESCRIPTION**

FIG. 1 is a perspective view of footwear, showing my new design;

FIG. 2 is a top view of the footwear illustrated in FIG. 1;

FIG. 3 is a right side view of the footwear illustrated in FIG. 1;

FIG. 4 is a front view of the footwear illustrated in FIG. 1;

FIG. 5 is a left side view of the footwear illustrated in FIG. 1;

FIG. 6 is a bottom view of the footwear illustrated in FIG. 1; and,

FIG. 7 is a back view of the footwear illustrated in FIG. 1.

The broken lines denote unclaimed environment.

**1 Claim, 4 Drawing Sheets**





FIG. 1

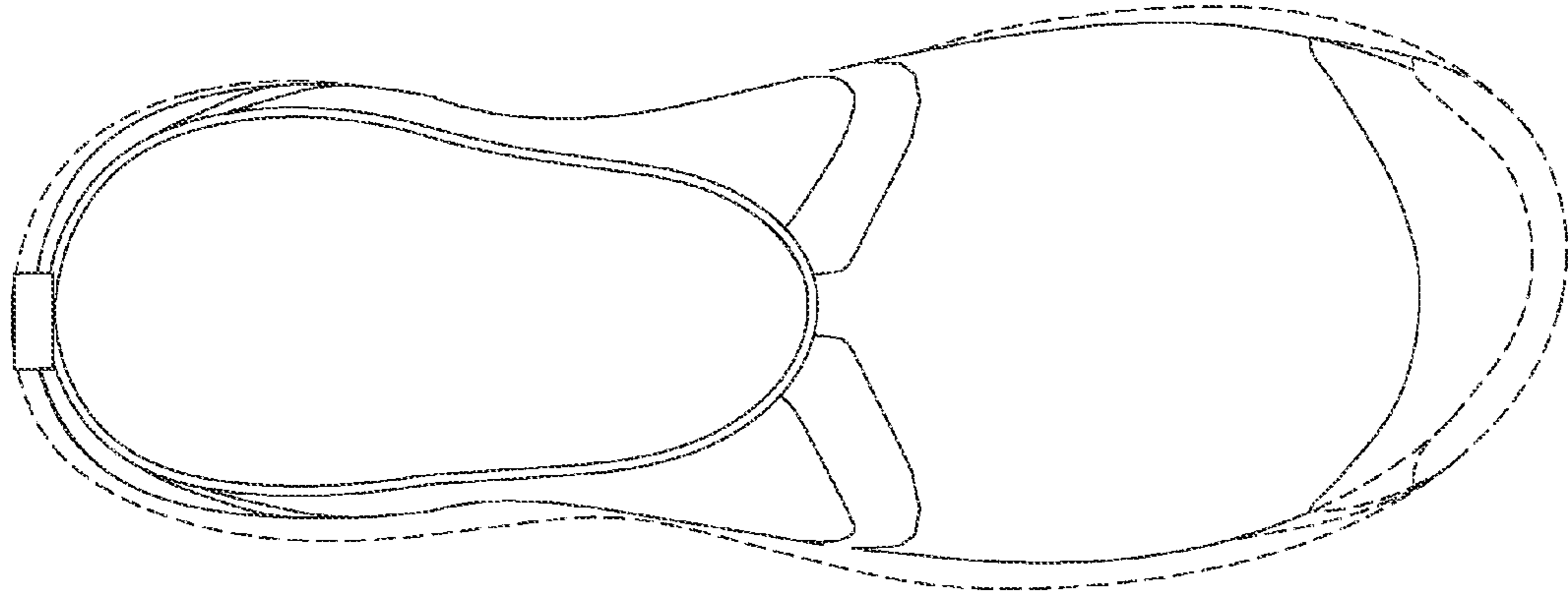


FIG. 2

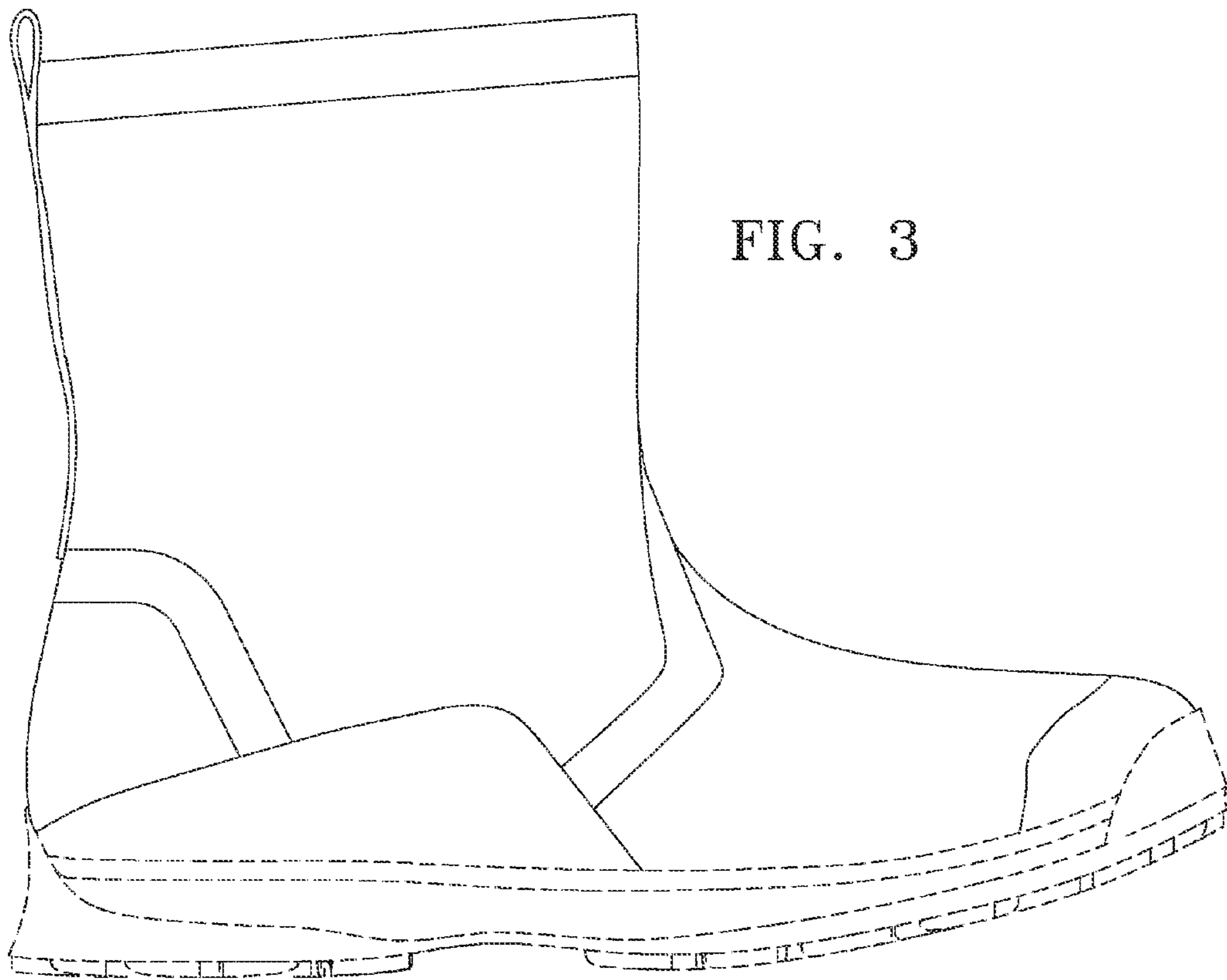


FIG. 3

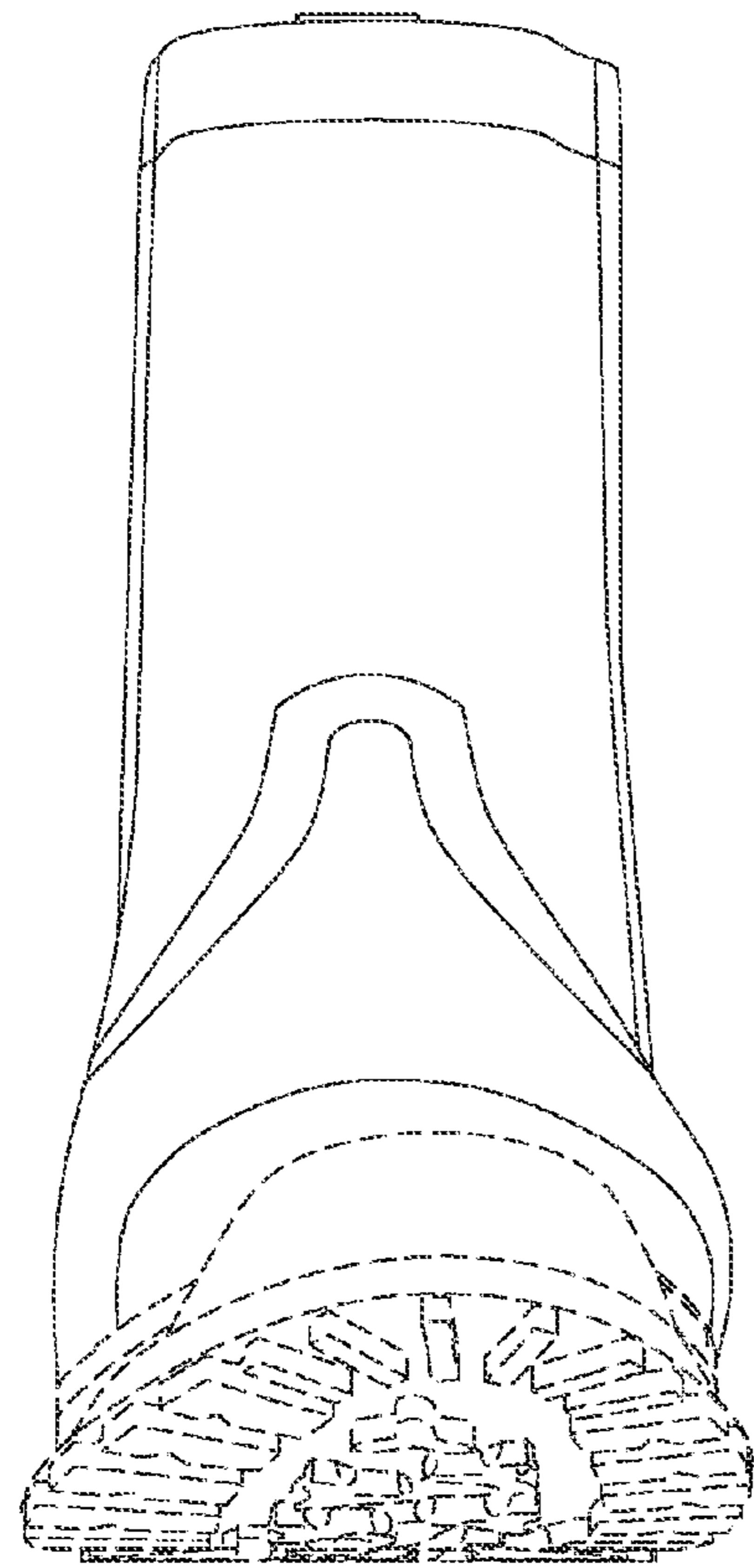


FIG. 4

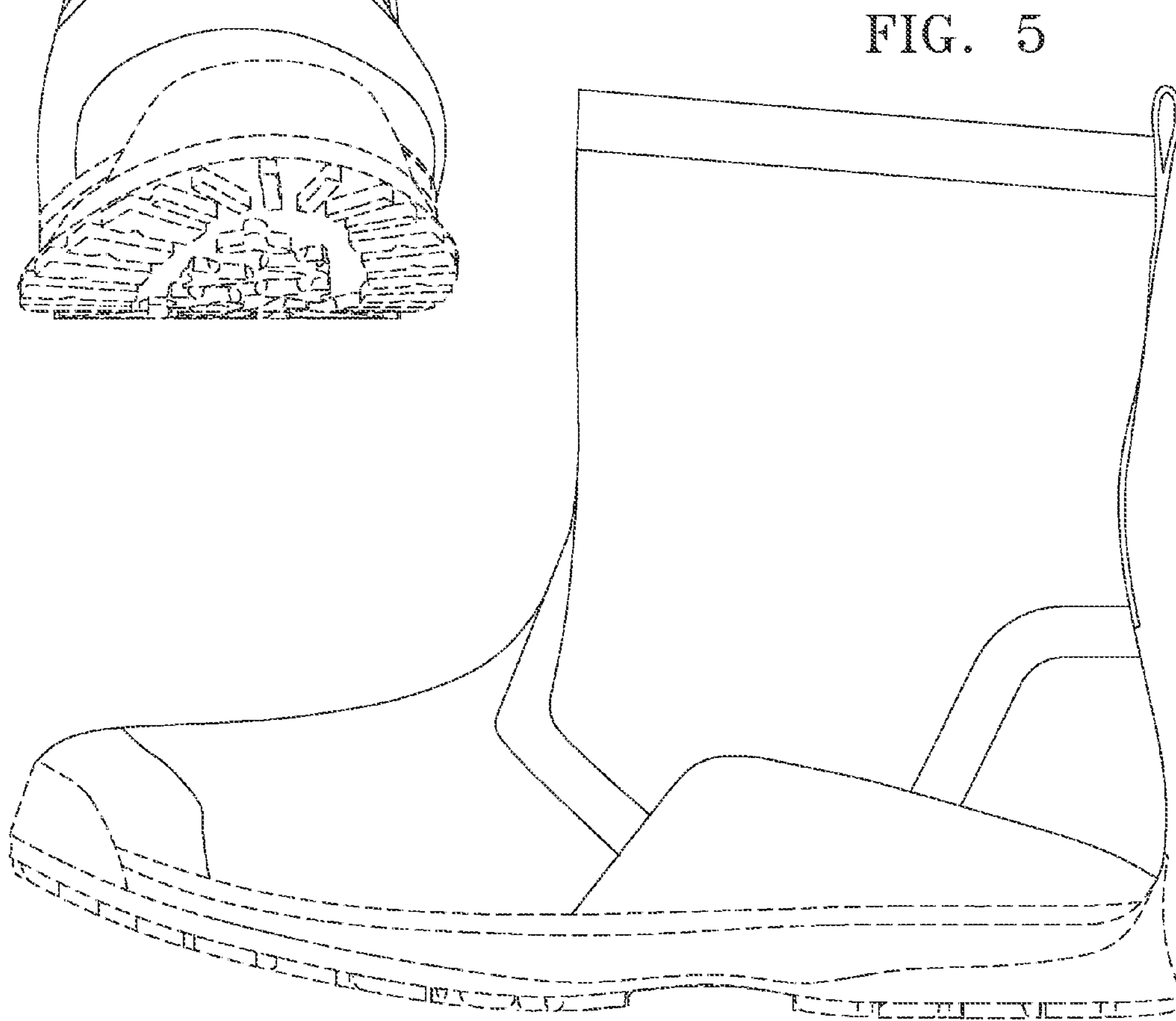


FIG. 5

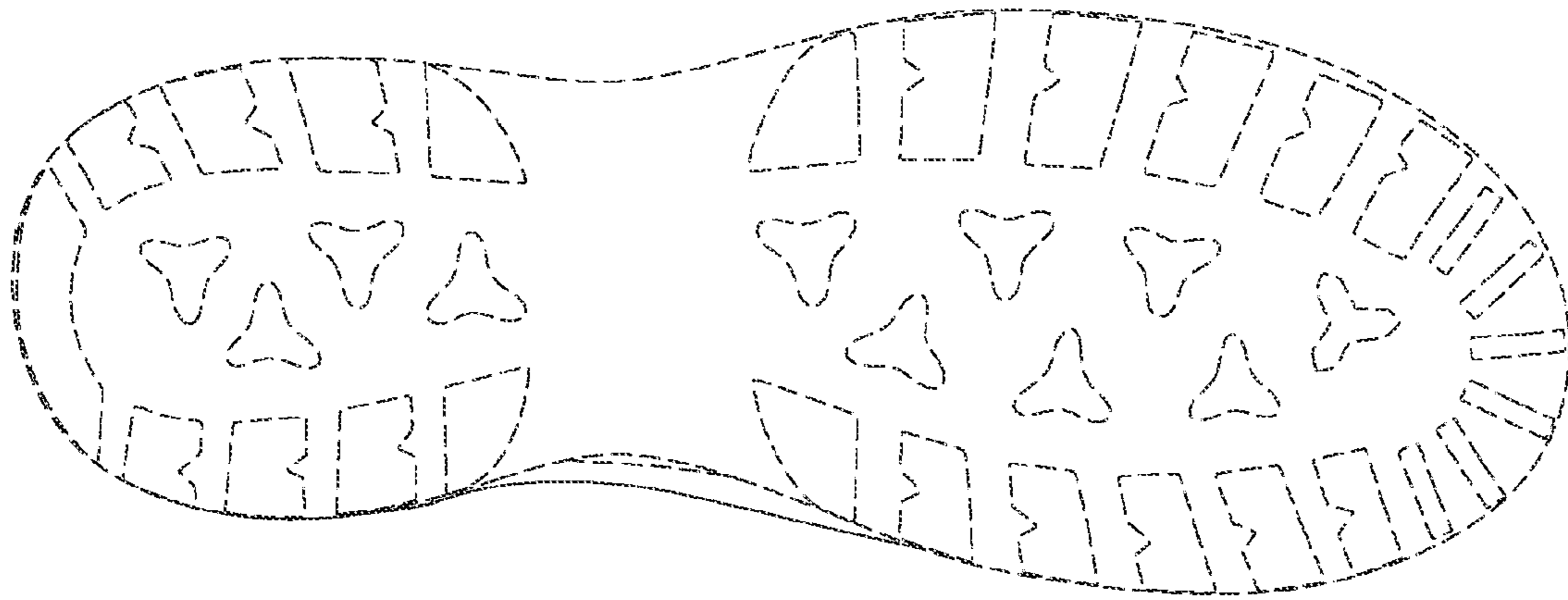


FIG. 6

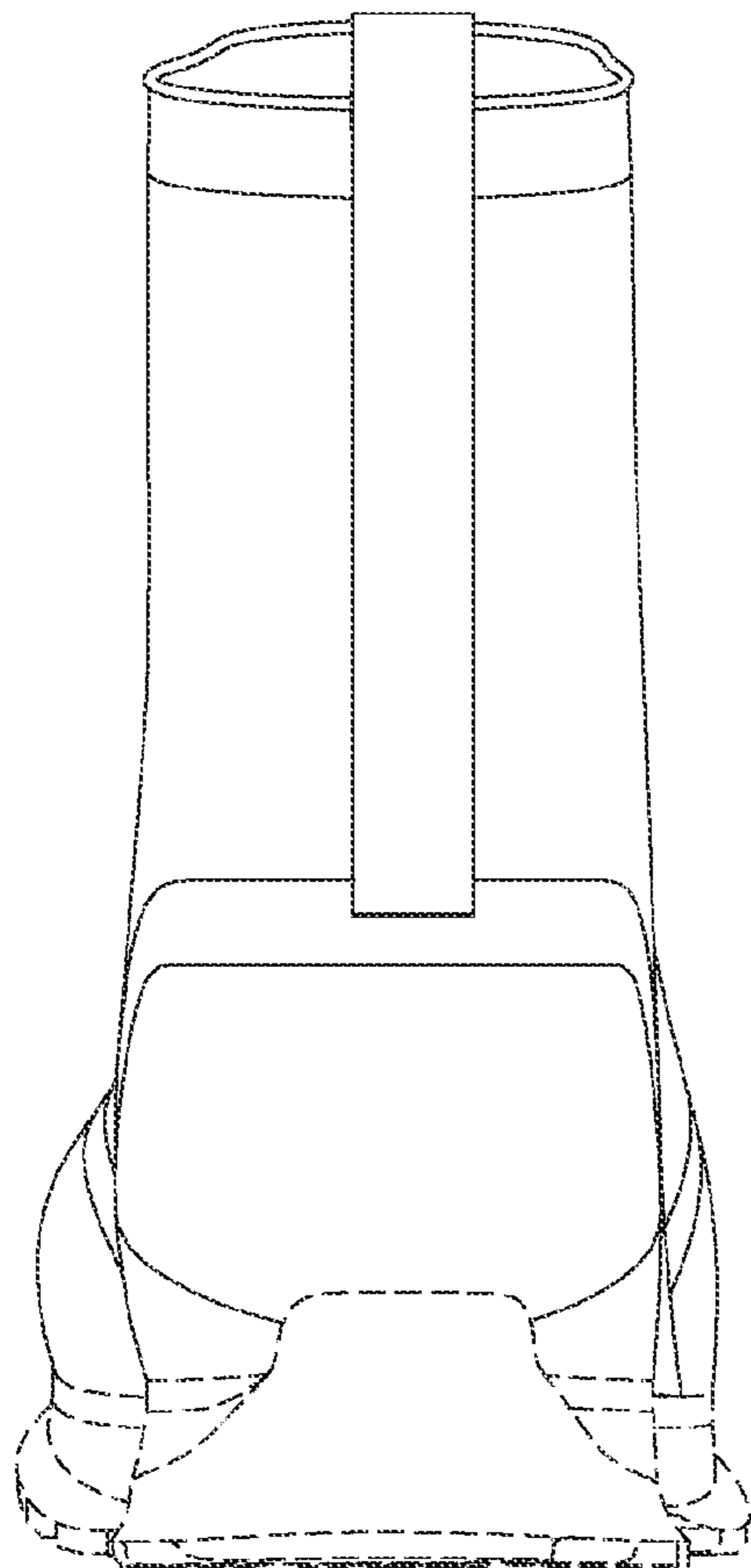


FIG. 7