



US00D638212S

(12) **United States Design Patent**  
**Blakeslee**

(10) **Patent No.:** **US D638,212 S**

(45) **Date of Patent:** **\*\* May 24, 2011**

(54) **FOOTWEAR**

(75) Inventor: **Carl Blakeslee**, Portland, OR (US)

(73) Assignee: **Sorel Corporation**, Portland, OR (US)

(\*\*) Term: **14 Years**

(21) Appl. No.: **29/377,480**

(22) Filed: **Oct. 21, 2010**

(51) **LOC (9) Cl.** ..... **02-99**

(52) **U.S. Cl.** ..... **D2/970; D2/910**

(58) **Field of Classification Search** ..... D2/896,  
D2/90, 909-911, 920, 943, 946, 969, 970;  
36/83, 1.5, 2 R, 109, 3 A, 7.1 R, 45, 52, 112,  
36/100

See application file for complete search history.

(56) **References Cited**

**U.S. PATENT DOCUMENTS**

562,784	A *	6/1896	Fisher	.....	36/2 R
D34,616	S *	6/1901	Urquhart	.....	D2/911
D64,744	S *	5/1924	Glidden	.....	D2/910
2,028,947	A *	1/1936	Palm	.....	36/2 R
D159,049	S *	6/1950	Cohn	.....	D2/920
D160,064	S *	9/1950	Brower	.....	D2/920
D335,946	S *	6/1993	Preston	.....	D2/901

5,501,022	A *	3/1996	Cohn	.....	36/2 R
D561,983	S *	2/2008	FitzGerald	.....	D2/909
D599,984	S *	9/2009	Madden	.....	D2/910

\* cited by examiner

*Primary Examiner* — Robert M Spear

*Assistant Examiner* — Rashida C McCoy

(74) *Attorney, Agent, or Firm* — Schwabe, Williamson & Wyatt, P.C.

(57) **CLAIM**

I claim an ornamental design for footwear, as shown and described.

**DESCRIPTION**

FIG. 1 is a perspective view of footwear, showing my new design;

FIG. 2 is a top view of the footwear illustrated in FIG. 1;

FIG. 3 is a right side view of the footwear illustrated in FIG. 1;

FIG. 4 is a front view of the footwear illustrated in FIG. 1;

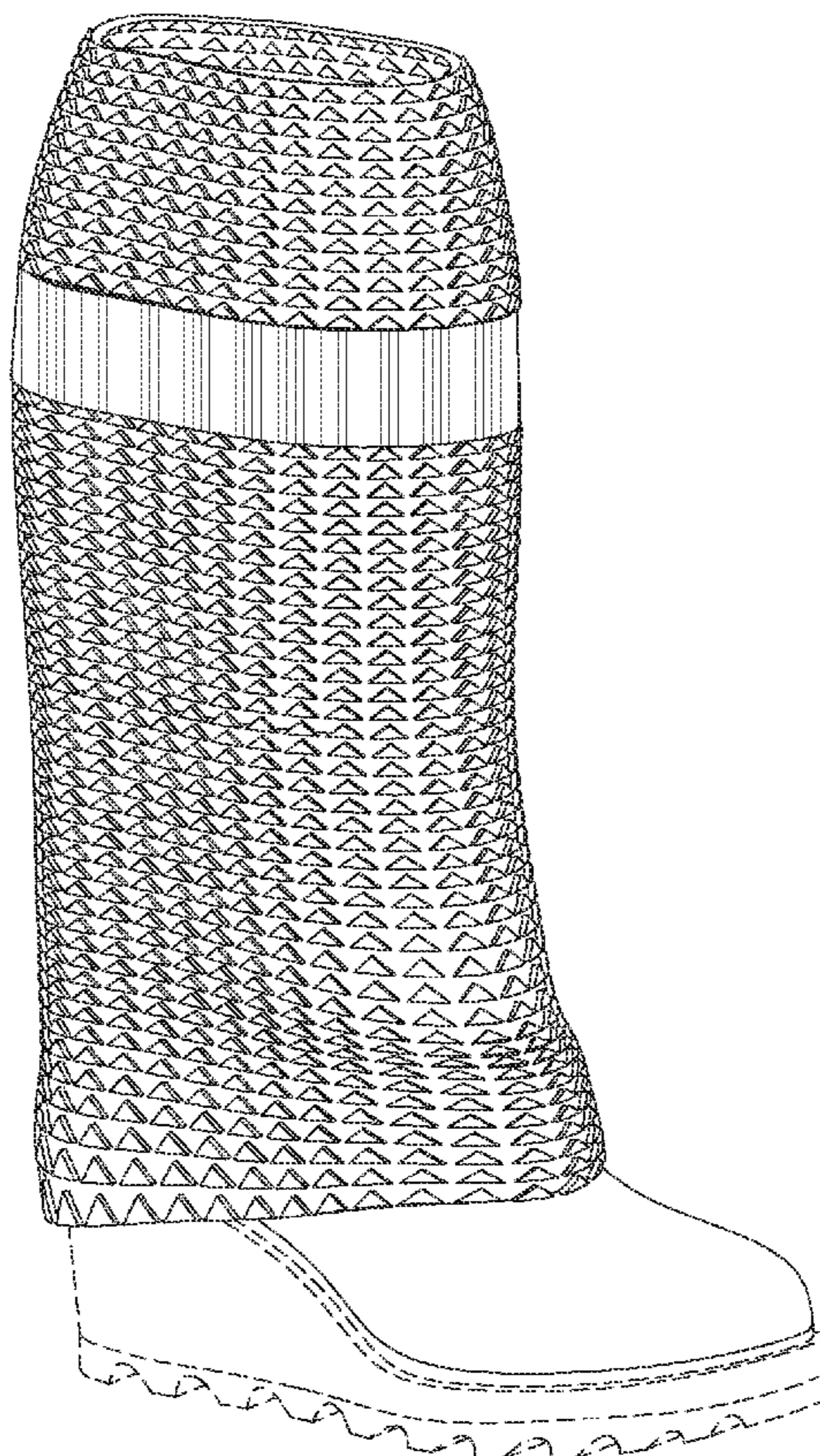
FIG. 5 is a left side view of the footwear illustrated in FIG. 1;

FIG. 6 is a bottom view of the footwear illustrated in FIG. 1; and,

FIG. 7 is a back view of the footwear illustrated in FIG. 1.

The broken lines denote unclaimed environment.

**1 Claim, 4 Drawing Sheets**



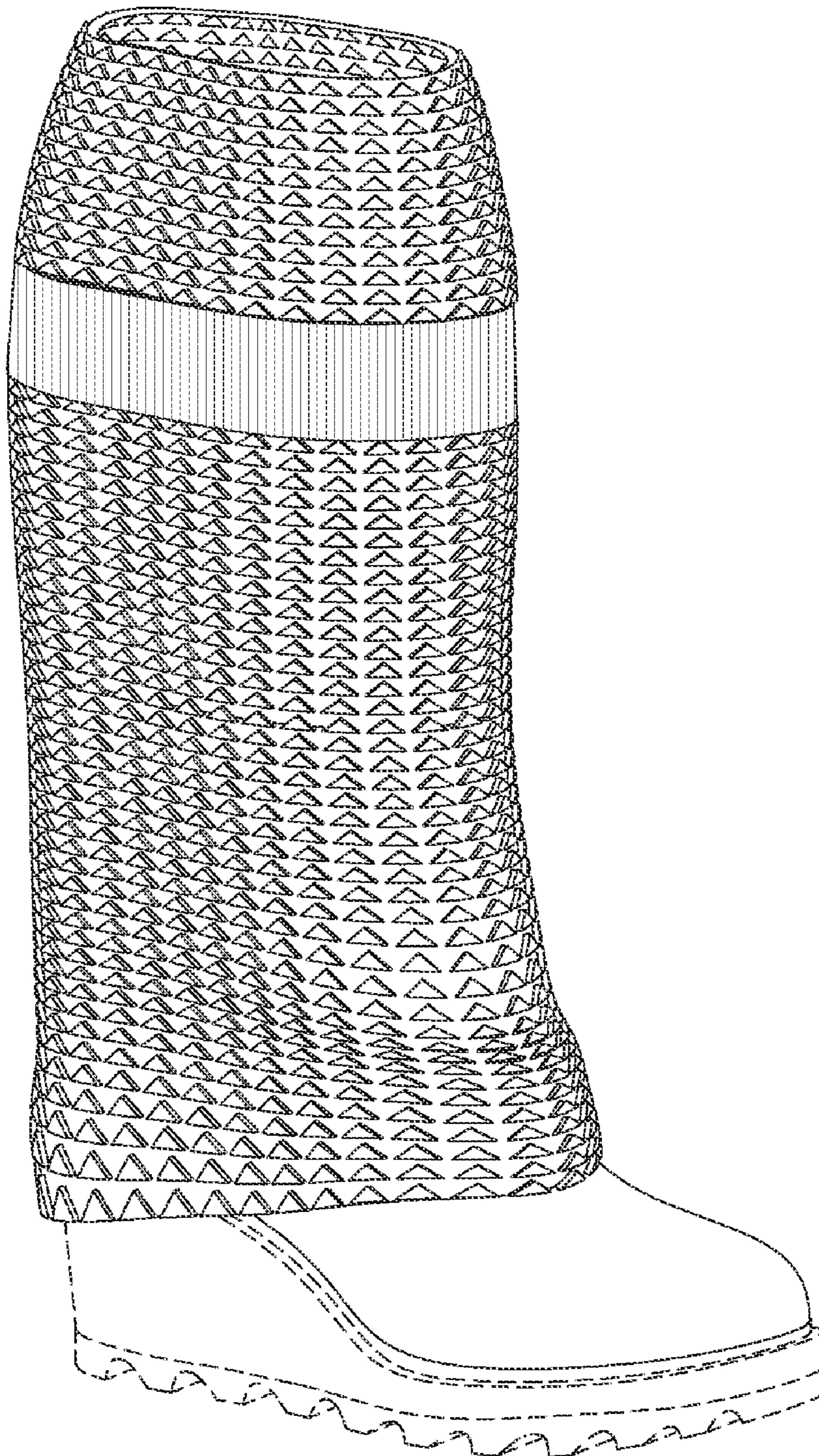


FIG. 1

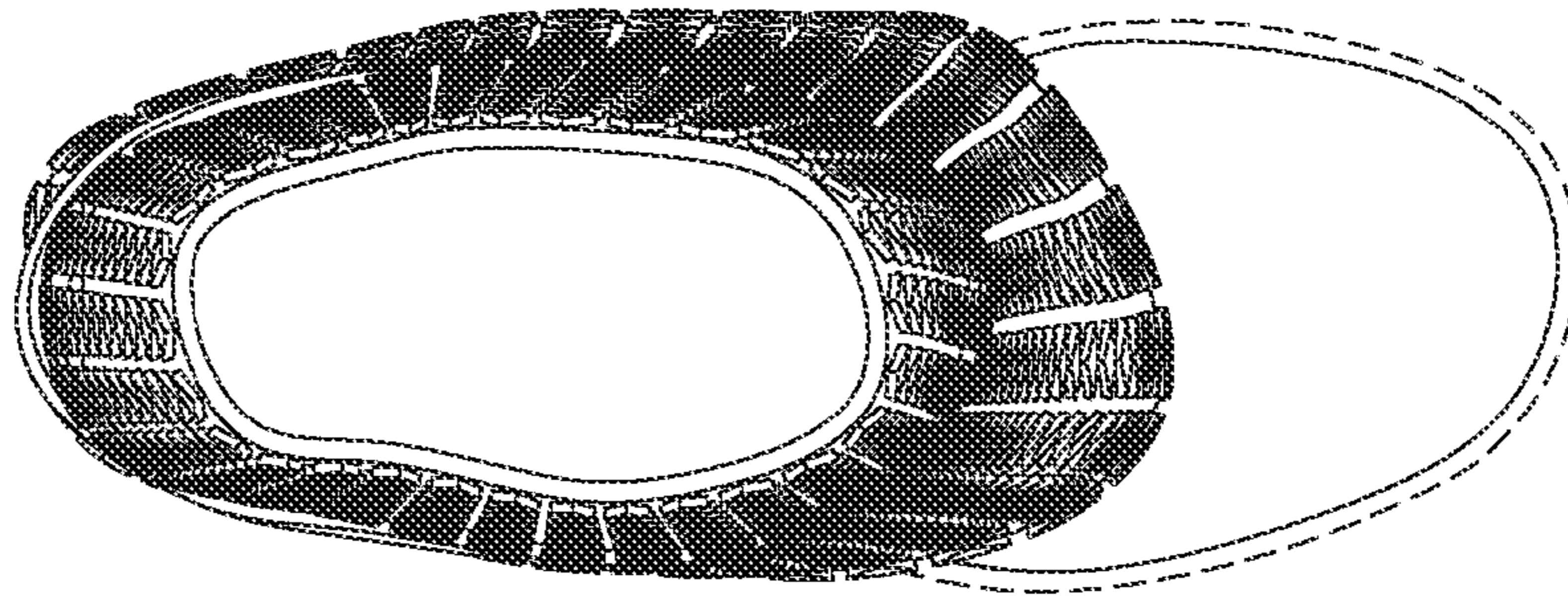


FIG. 2

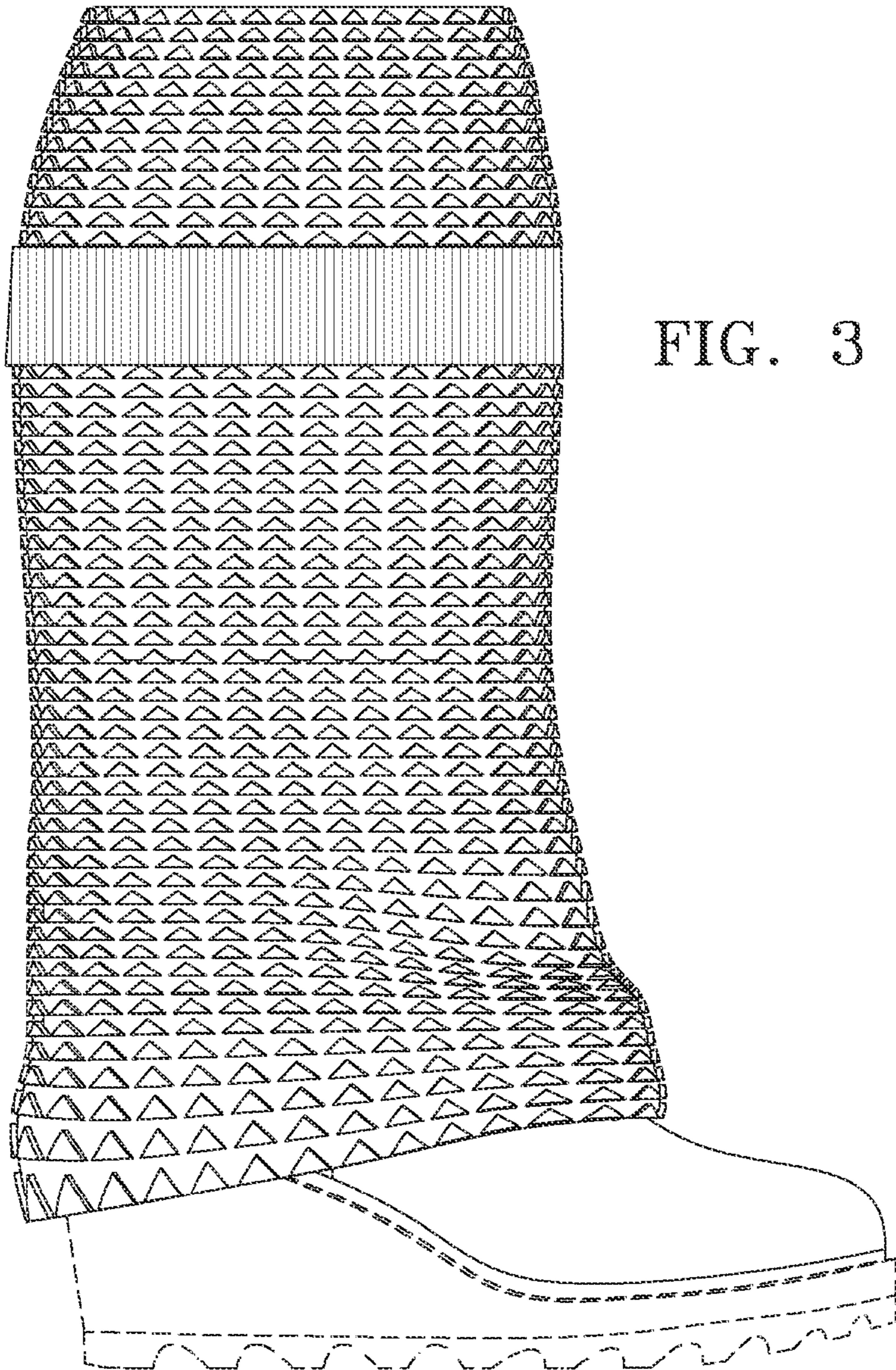


FIG. 3

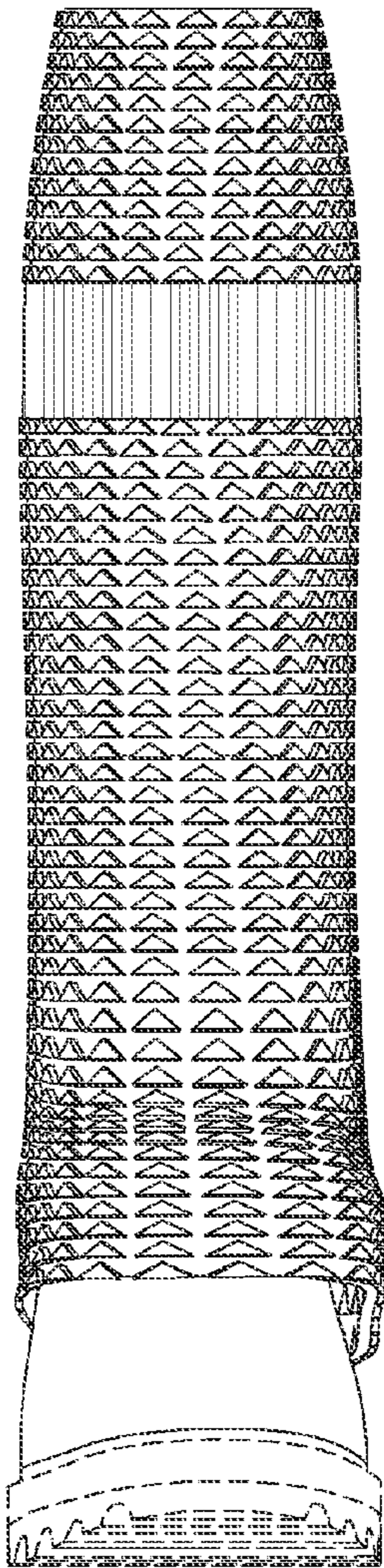
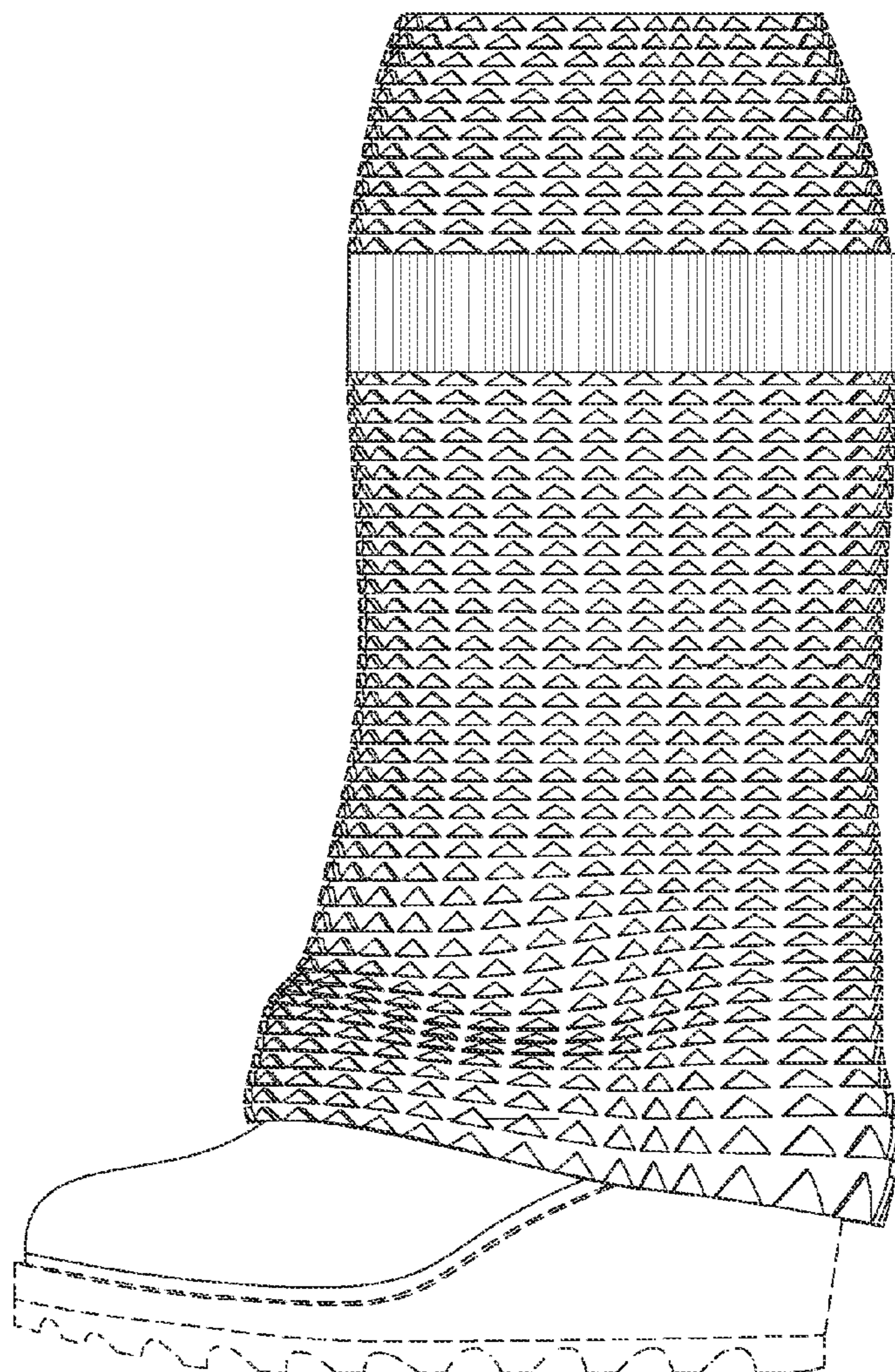


FIG. 4

FIG. 5



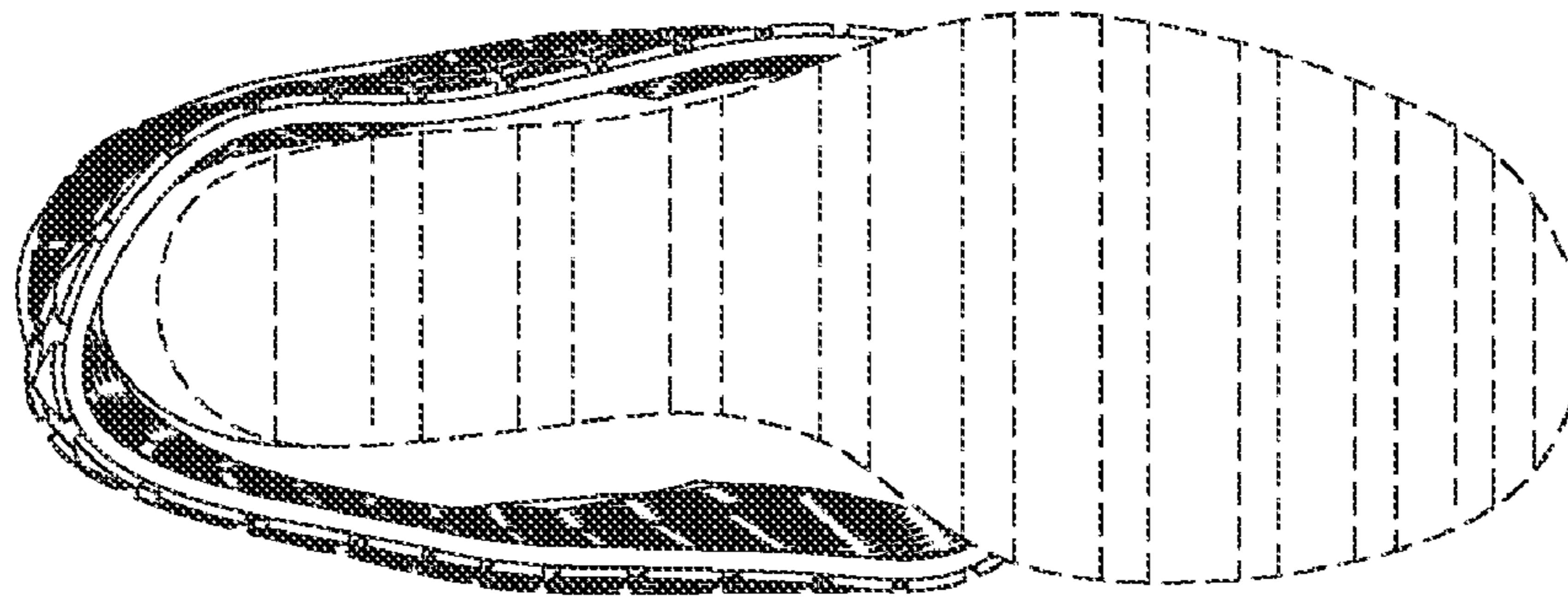


FIG. 6

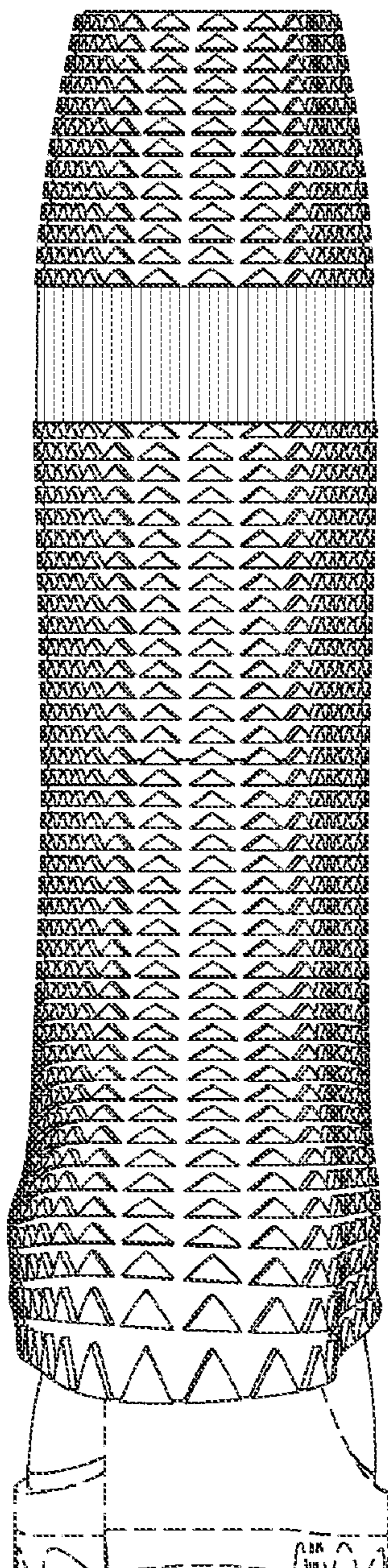


FIG. 7