



US00D638194S

(12) **United States Design Patent**
Lichstein

(10) **Patent No.:** **US D638,194 S**

(45) **Date of Patent:** **** May 17, 2011**

(54) **PLUG HAVING A TOOL INSERT OPENING WITH A NON-CIRCULAR CONSTANT DIAMETER CROSS-SECTION**

(75) Inventor: **Paul Lichstein**, Hoboken, NJ (US)

(73) Assignee: **Carpathian Industries, LLC**, Hoboken, NJ (US)

(**) Term: **14 Years**

(21) Appl. No.: **29/363,601**

(22) Filed: **Jun. 11, 2010**

(51) **LOC (9) Cl.** **09-02**

(52) **U.S. Cl.** **D34/39**

(58) **Field of Classification Search** D34/39;
D23/202, 203, 206, 205; 220/254.8, 601,
220/304, 233, 235, 237; D9/435

See application file for complete search history.

(56) **References Cited**

U.S. PATENT DOCUMENTS

1,413,236 A	4/1922	Owens	
1,634,958 A	7/1927	Noyes	
1,838,285 A *	12/1931	Rieke	220/254.8
D114,207 S *	4/1939	Corey	D34/39
3,167,210 A *	1/1965	Carney, Jr.	220/495.05
3,195,762 A	7/1965	Senoff	
3,905,091 A	9/1975	La Rocque	
3,912,116 A	10/1975	Chahley	
3,935,877 A	2/1976	Franceschi	

4,088,239 A *	5/1978	Uhlig	220/649
4,105,135 A	8/1978	Bradshaw et al.	
4,252,249 A	2/1981	Beckhardt et al.	
4,393,900 A	7/1983	Gajajiva et al.	
4,643,825 A	2/1987	Weslowski	
D319,134 S *	8/1991	Pryztulla	D34/39
D405,931 S *	2/1999	Palmer	D34/39
D539,005 S	3/2007	Baughman	
D567,081 S	4/2008	Baughman et al.	
D568,025 S *	4/2008	Schutz	D34/39
7,690,526 B1	4/2010	Hoff	
2002/0079319 A1	6/2002	Krieger et al.	
2005/0194398 A1	9/2005	Leyendecker et al.	
2007/0102431 A1	5/2007	Green	
2009/0200259 A1	8/2009	Baughman	

* cited by examiner

Primary Examiner — Cynthia E Ramirez

(74) *Attorney, Agent, or Firm* — Woodard, Emhardt, Moriarty, McNett & Henry LLP

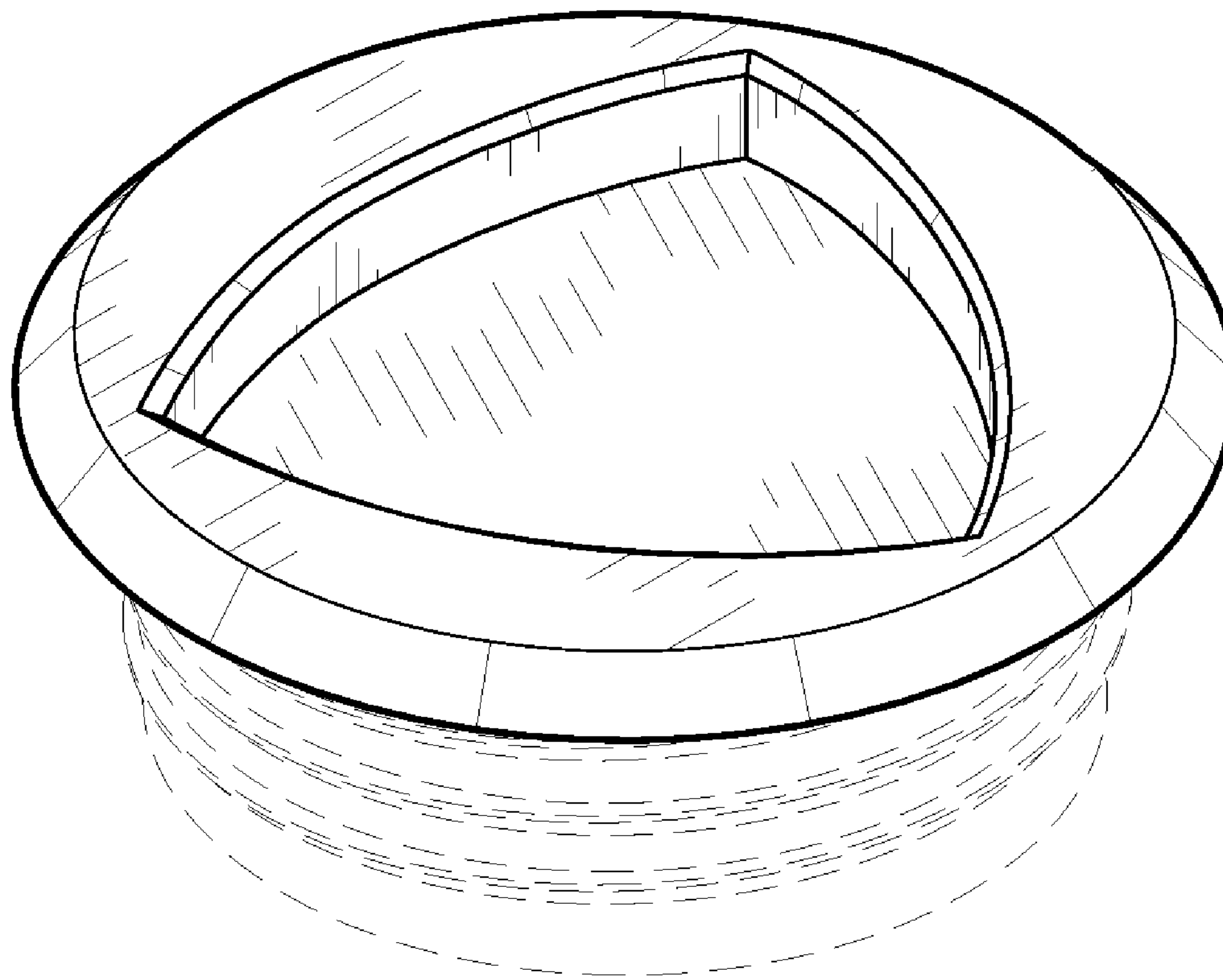
(57) **CLAIM**

The ornamental design for a plug having a tool insert opening with a non-circular constant diameter cross-section, as shown and described.

DESCRIPTION

FIG. 1 is a perspective view of the plug.
FIG. 2 is a top view of the plug; and,
FIG. 3 is a side view of the plug.
The dotted line drawing portions are for illustrative purposes only and form no part of the claimed design.

1 Claim, 2 Drawing Sheets



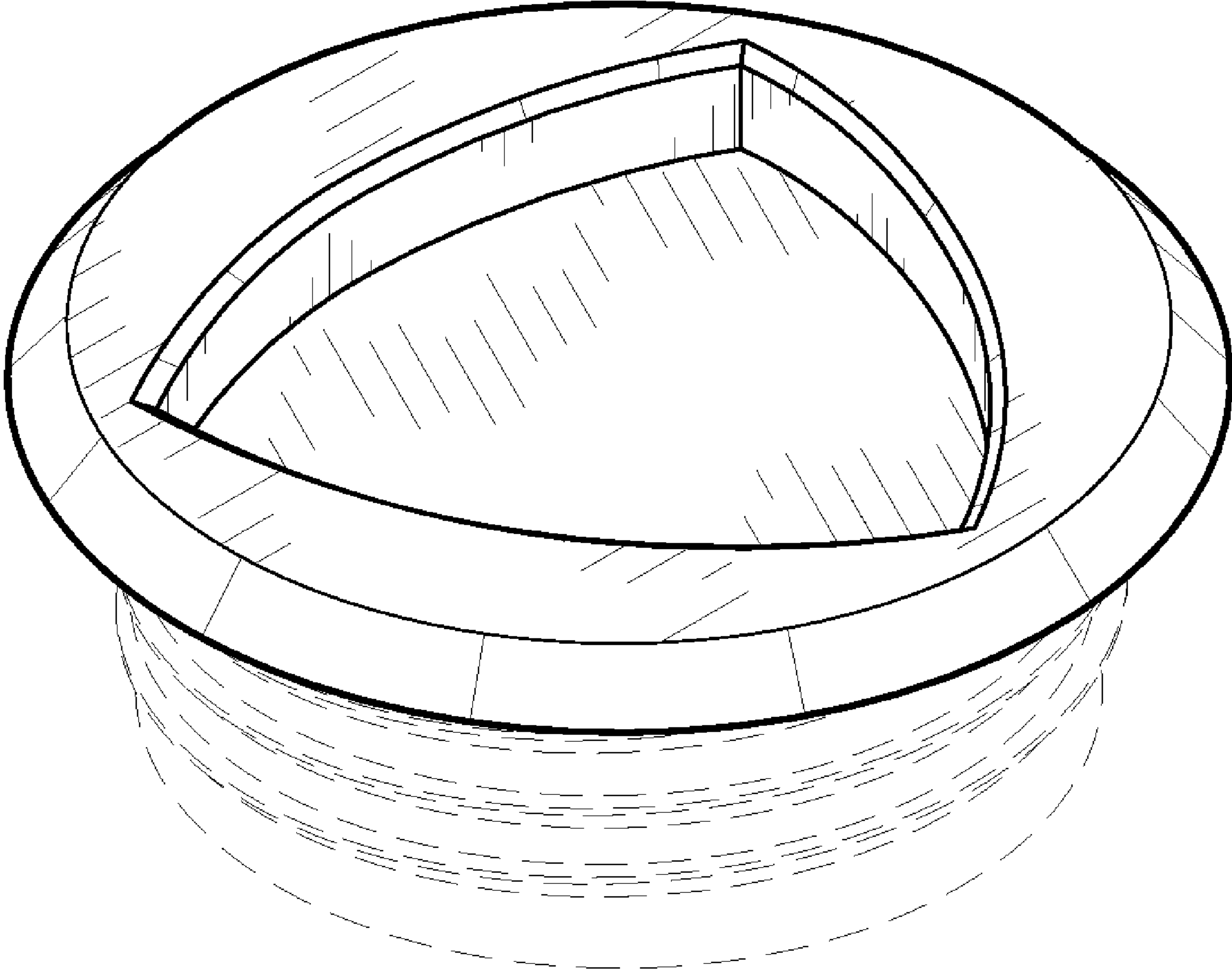


Fig. 1

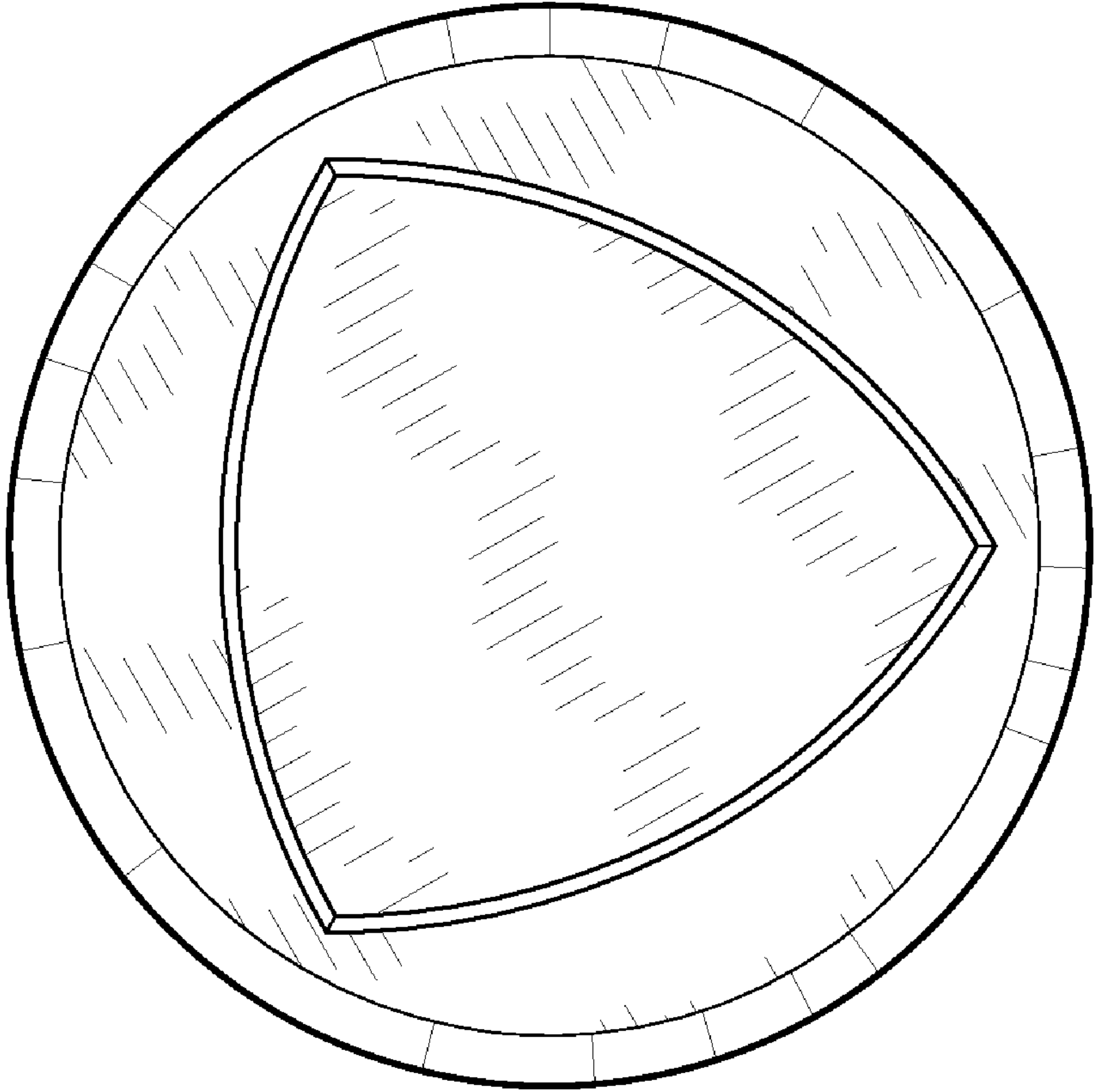


Fig. 2

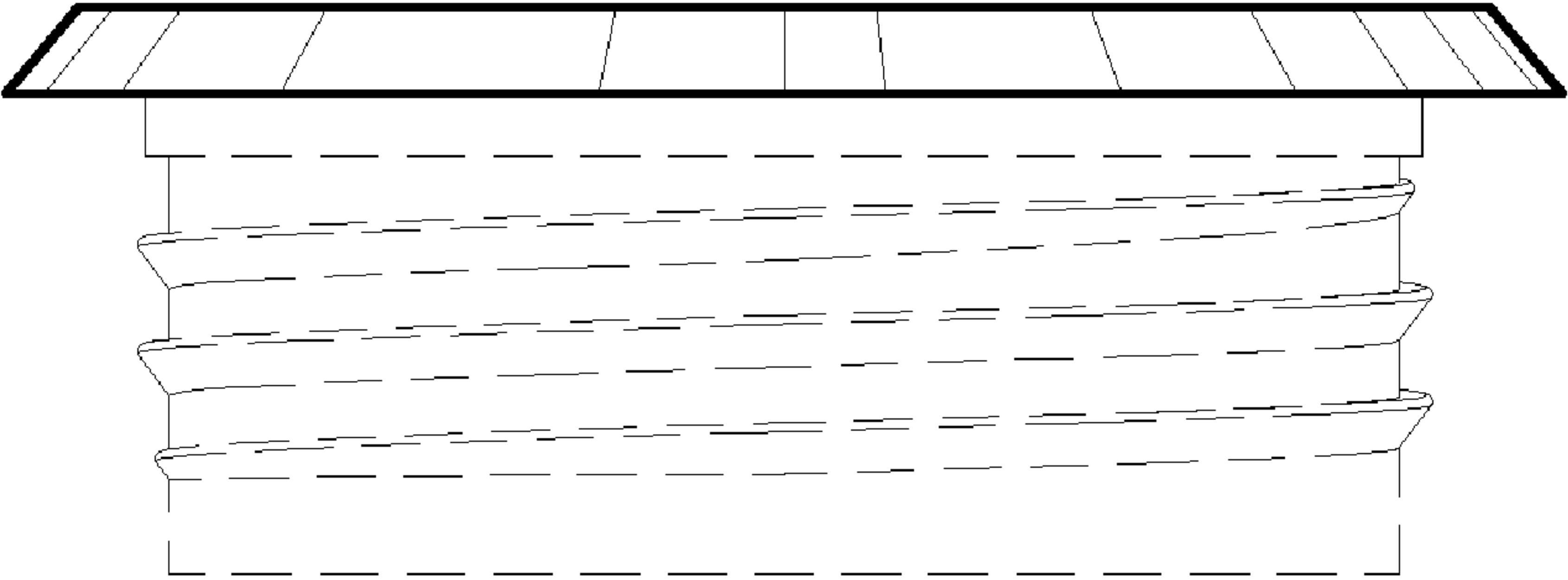


Fig. 3