



US00D638193S

(12) **United States Design Patent**
Kania

(10) **Patent No.:** **US D638,193 S**

(45) **Date of Patent:** **** May 17, 2011**

(54) **FLOOR JACK HAVING INTEGRATED TOOL KIT**

(75) Inventor: **Anthony Kania**, Mesa, AZ (US)

(73) Assignee: **Test Rite Products, Corp.**, Ontario (CA)

(**) Term: **14 Years**

(21) Appl. No.: **29/366,217**

(22) Filed: **Jul. 21, 2010**

(51) **LOC (9) Cl.** **12-05**

(52) **U.S. Cl.** **D34/31**

(58) **Field of Classification Search** D34/31,

D34/28; 254/8 B, 9 B, 84, 11, 93 H, DIG. 3

See application file for complete search history.

(56) **References Cited**

U.S. PATENT DOCUMENTS

D452,597 S	*	12/2001	Hung	D34/31
D579,167 S	*	10/2008	Lin	D34/31
D582,623 S	*	12/2008	Qian et al.	D34/31
D590,569 S	*	4/2009	Arzouman	D34/31
D590,570 S	*	4/2009	Arzouman	D34/31
D604,025 S	*	11/2009	Lin	D34/31

* cited by examiner

Primary Examiner — Cynthia E Ramirez

(74) *Attorney, Agent, or Firm* — Tsircou Law, P.C.

(57) **CLAIM**

The ornamental design for a floor jack having integrated tool kit, as shown and described.

DESCRIPTION

FIG. 1 is a left perspective view of a floor jack having integrated tool kit in accordance with the new design, depicting tool housings coupled to sidewalls of the floor jack in a stored orientation.

FIG. 2 is a right perspective view of the floor jack having integrated tool kit of FIG. 1.

FIG. 3 is a left elevational view of the floor jack having integrated tool kit of FIG. 1.

FIG. 4 is a right elevational view of the floor jack having integrated tool kit of FIG. 1.

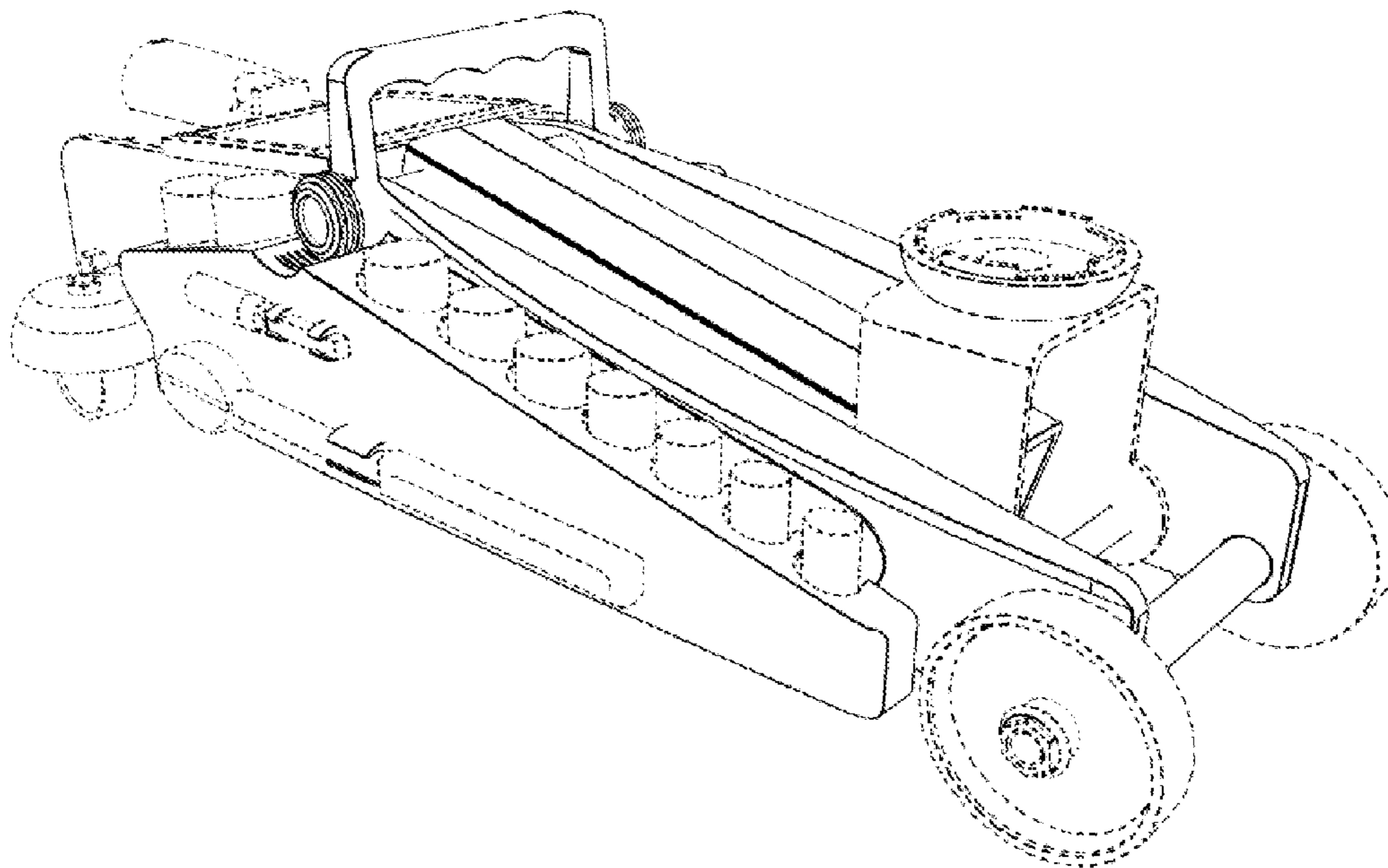
FIG. 5 is a top view of the floor jack having integrated tool kit of FIG. 1.

FIG. 6 is a left perspective view of a floor jack having integrated tool kit of FIG. 1, depicting tool housings in a deployed orientation; and,

FIG. 7 is a right perspective view of a floor jack having integrated tool kit of FIG. 1, depicting tool housings in a deployed orientation.

The dashed lines depict environmental aspects and form no part of the claimed design.

1 Claim, 3 Drawing Sheets



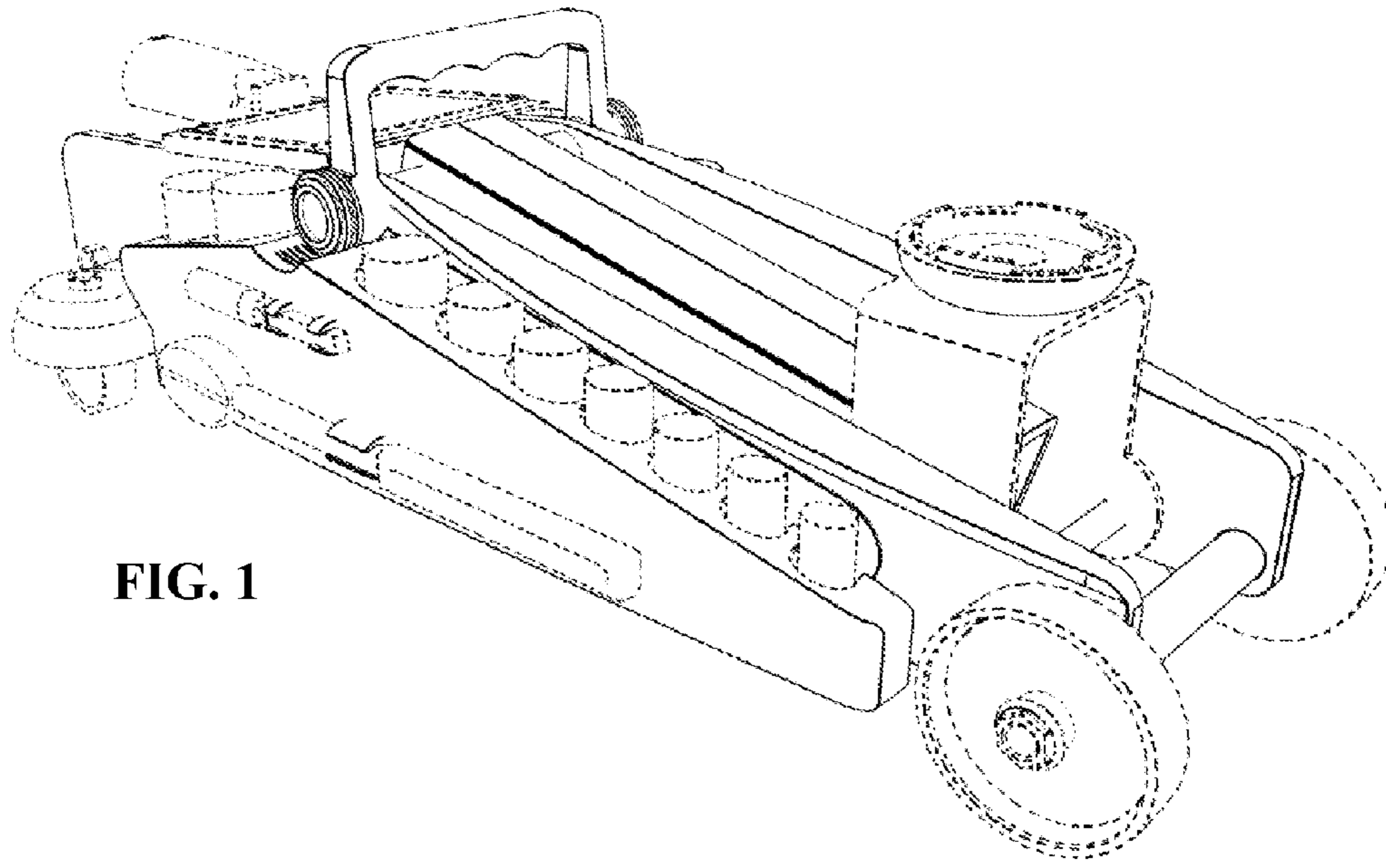


FIG. 1

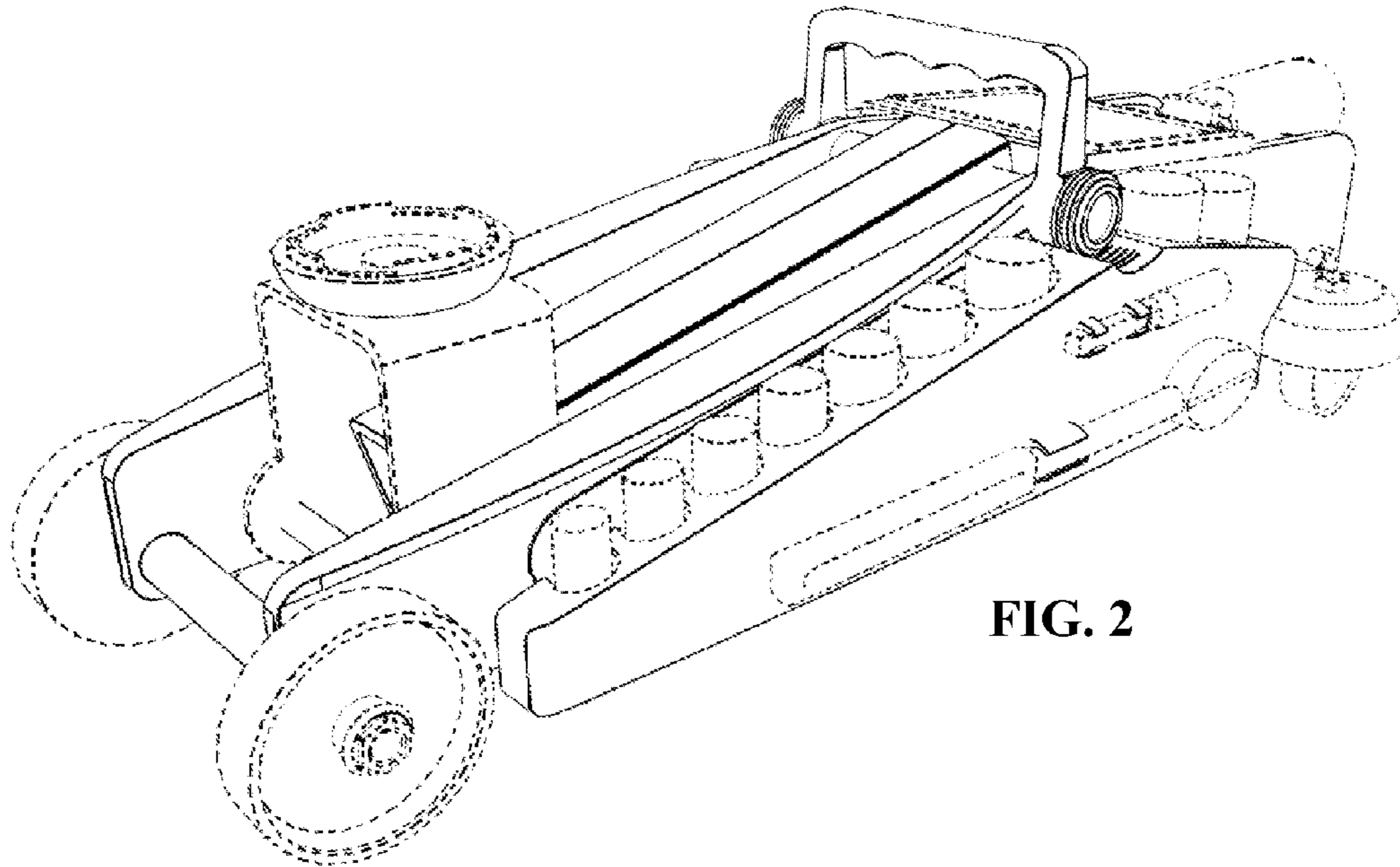


FIG. 2

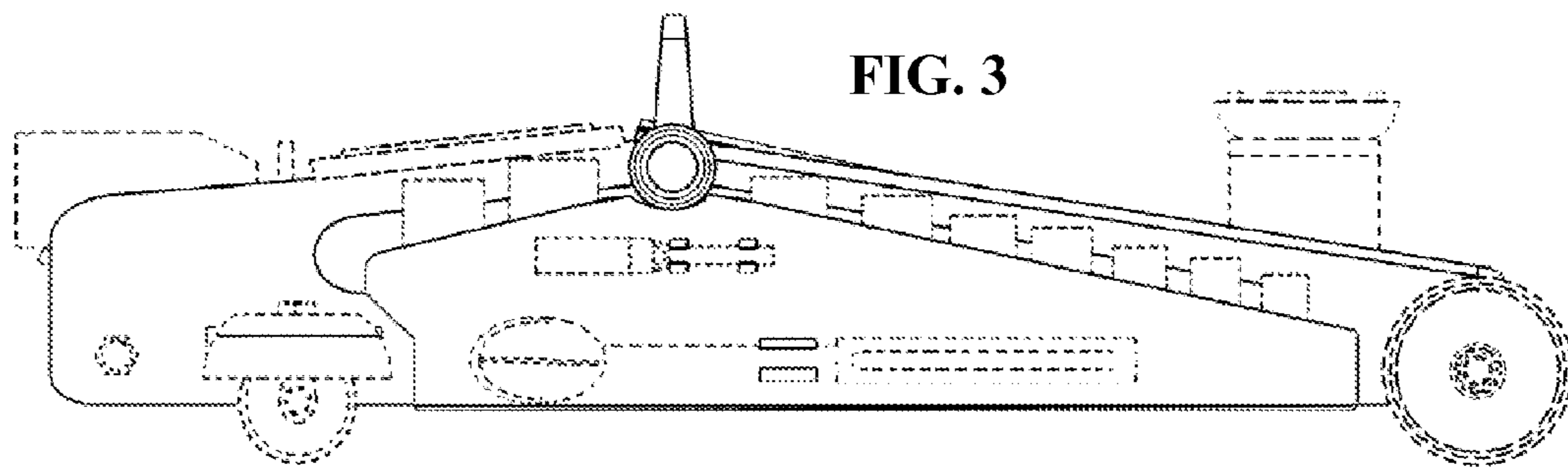


FIG. 3

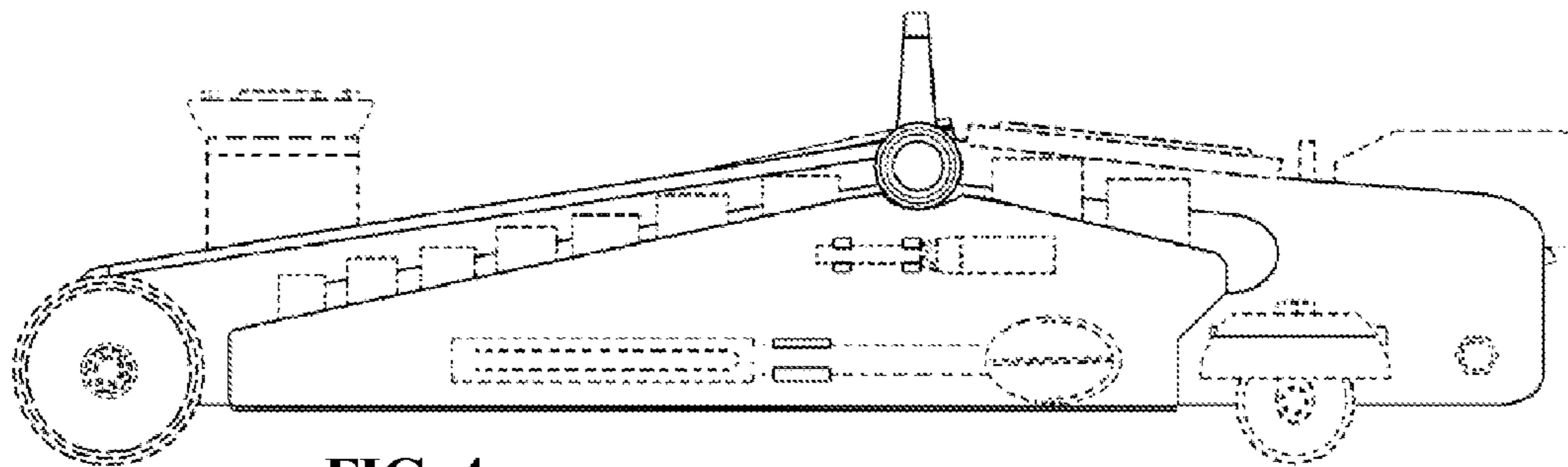


FIG. 4

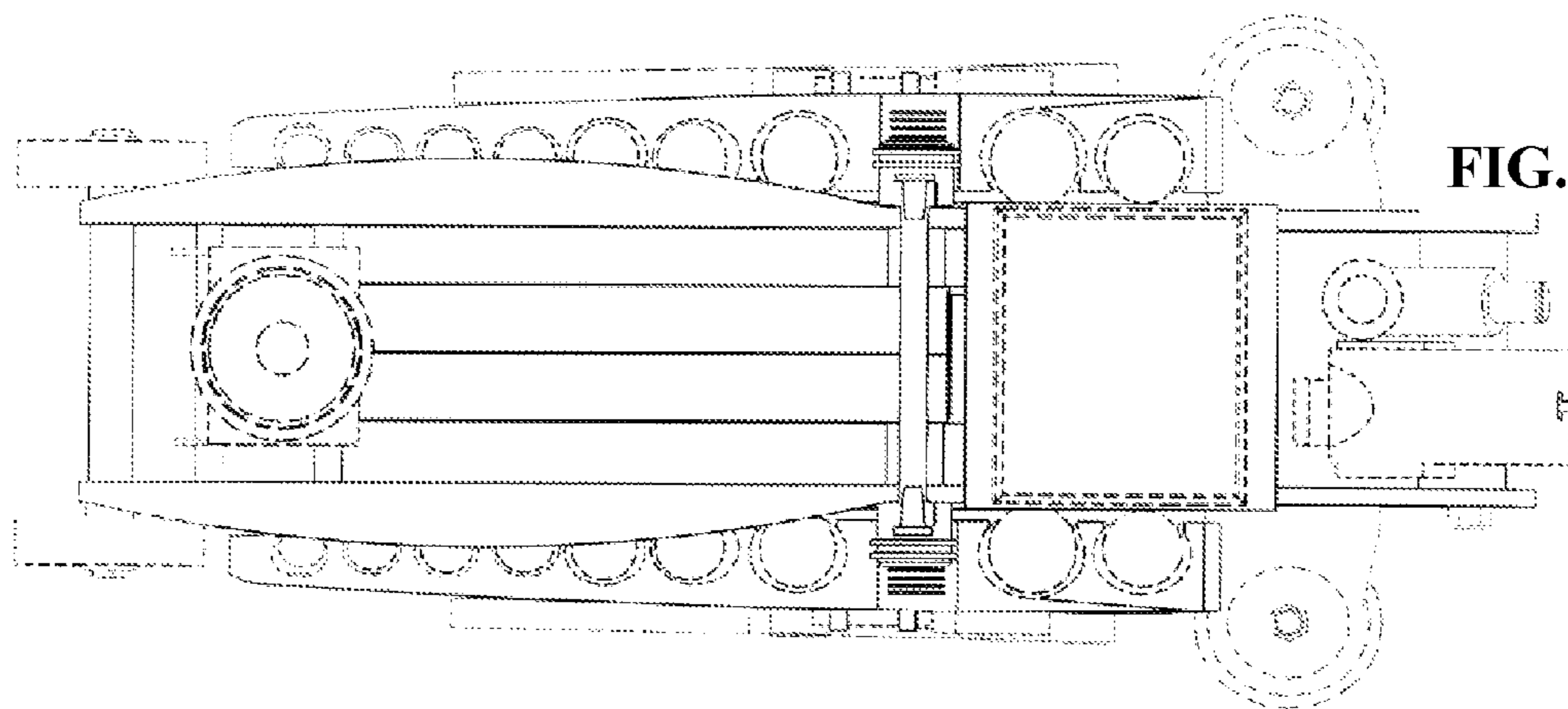


FIG. 5

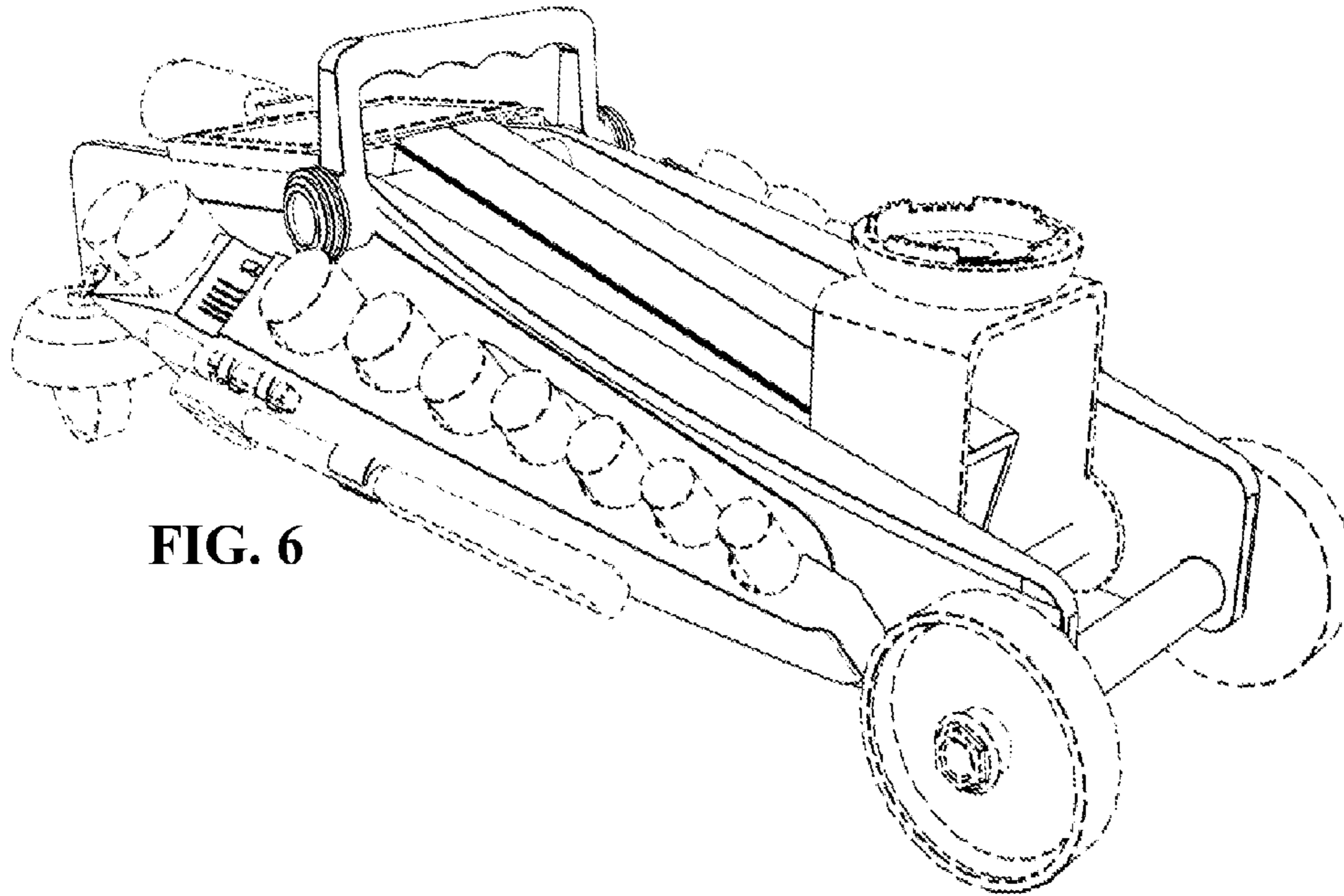


FIG. 6

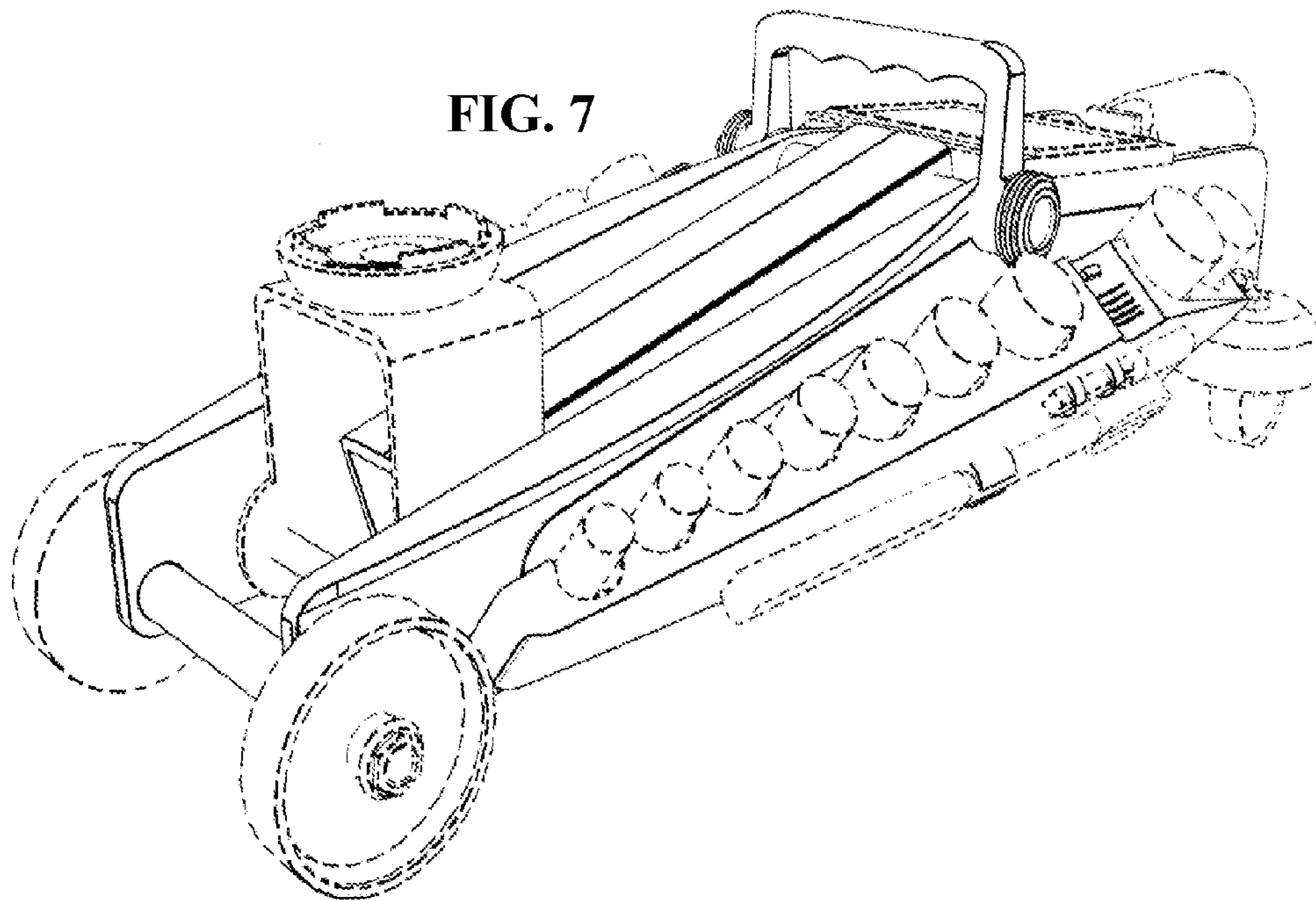


FIG. 7