



US00D638191S

(12) **United States Design Patent**  
**Goth et al.**

(10) **Patent No.:** **US D638,191 S**

(45) **Date of Patent:** **\*\* May 17, 2011**

(54) **LANDSCAPING TOOL CART**

(76) Inventors: **Thomas Goth**, Scottsdale, AZ (US);  
**Robert J. Muffuletto, Sr.**, Apache  
Junction, AZ (US)

(\*\*) Term: **14 Years**

(21) Appl. No.: **29/362,618**

(22) Filed: **May 27, 2010**

(51) **LOC (9) Cl.** ..... **12-02**

(52) **U.S. Cl.** ..... **D34/24**

(58) **Field of Classification Search** ..... D34/12-27;  
280/47.29, 47.35, 47.34, 47.19, 79.2, 652;  
206/315.11; 43/54.1

See application file for complete search history.

D415,867 S \* 10/1999 Perelli ..... D34/21  
D427,740 S \* 7/2000 Hurt ..... D34/24  
D446,621 S \* 8/2001 Schier ..... D34/24  
D480,527 S \* 10/2003 Kollen ..... D34/21  
7,207,577 B2 \* 4/2007 Udall et al. .... 280/47.26  
D606,722 S \* 12/2009 Walter ..... D34/12  
D622,471 S \* 8/2010 Hernandez ..... D34/12

\* cited by examiner

*Primary Examiner* — Cynthia E Ramirez

(74) *Attorney, Agent, or Firm* — Jeffrey D. Moy; Weiss &  
Moy, P.C.

(57) **CLAIM**

The ornamental design for a landscaping tool cart, as shown  
and described.

**DESCRIPTION**

FIG. 1 is an elevated perspective view of the landscaping tool  
cart;

FIG. 2 is a front view of the landscaping tool cart;

FIG. 3 is a back view of the landscaping tool cart;

FIG. 4 is bottom view of the landscaping tool cart; and,

FIG. 5 is a first side view of the landscaping tool cart, a second  
side view being a mirror image thereof.

**1 Claim, 5 Drawing Sheets**

(56) **References Cited**

**U.S. PATENT DOCUMENTS**

D190,853 S \* 7/1961 Neville ..... D34/26  
D208,536 S \* 9/1967 Clark et al. .... D34/24  
D242,534 S \* 11/1976 Becker ..... D34/21  
D273,242 S \* 3/1984 Maza et al. .... D34/21  
4,743,040 A \* 5/1988 Breveglieri et al. .... 280/47.35  
D396,924 S \* 8/1998 Cardenas ..... D34/24  
5,833,250 A \* 11/1998 Schier et al. .... 280/47.19

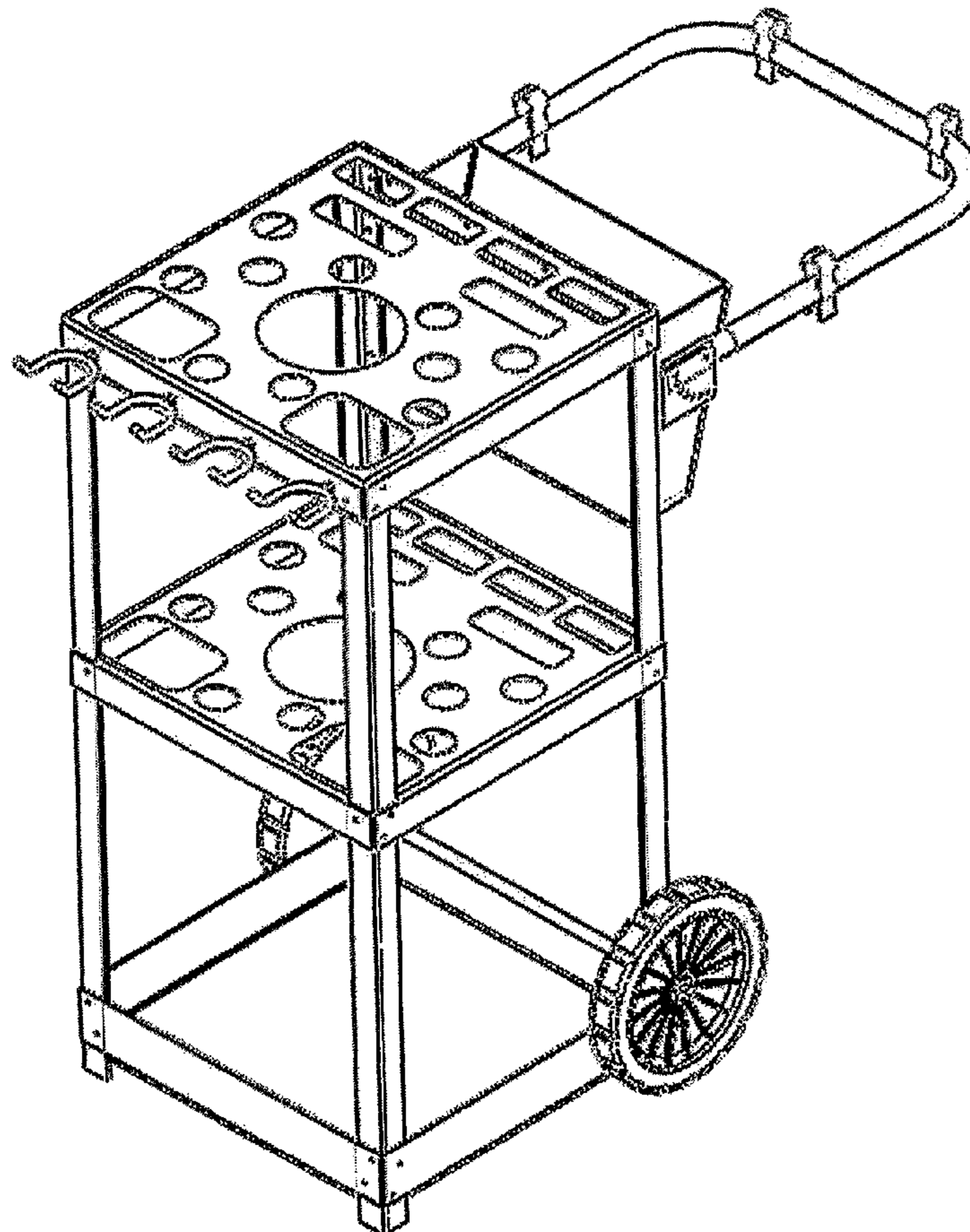


Figure 1

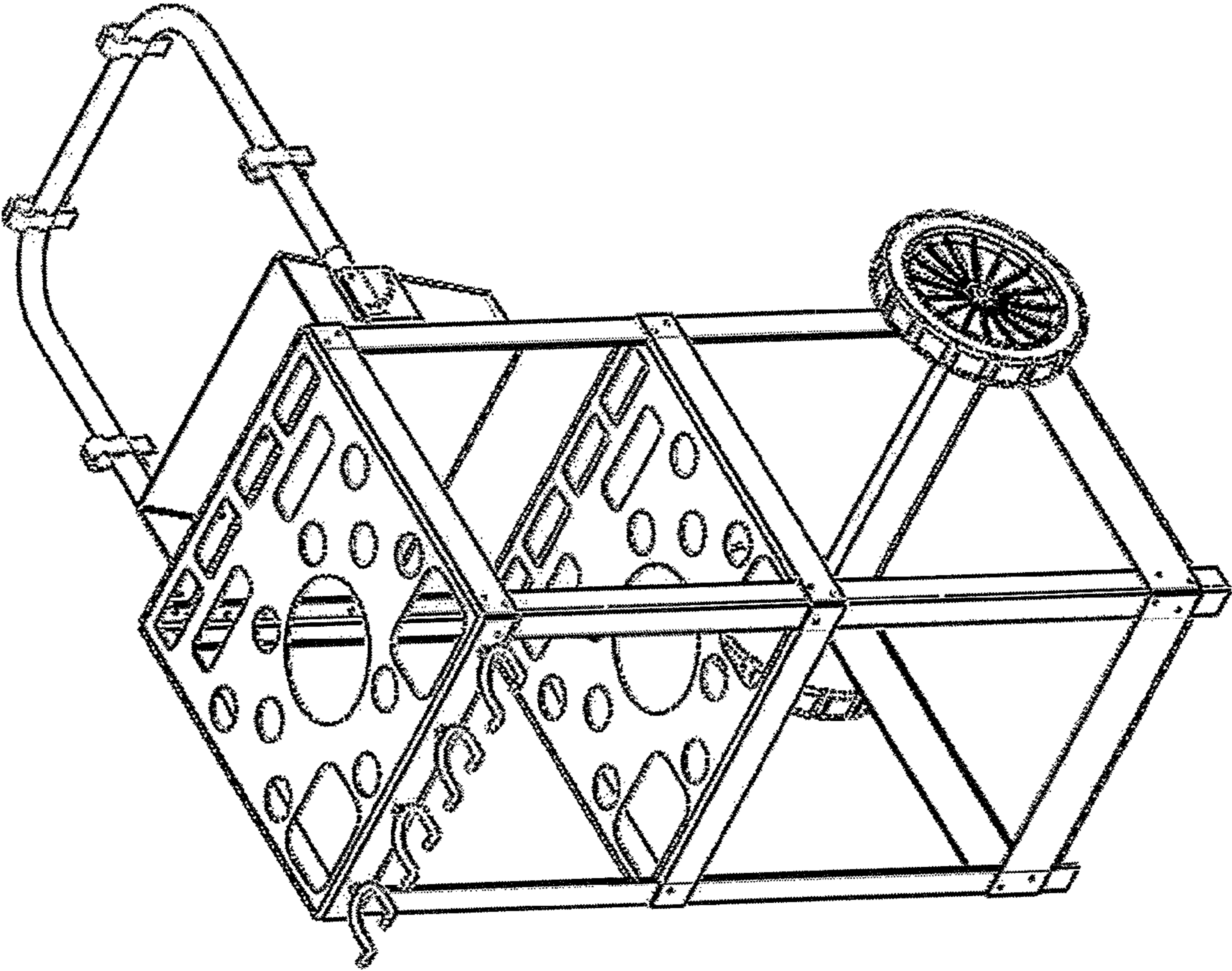


Figure 2

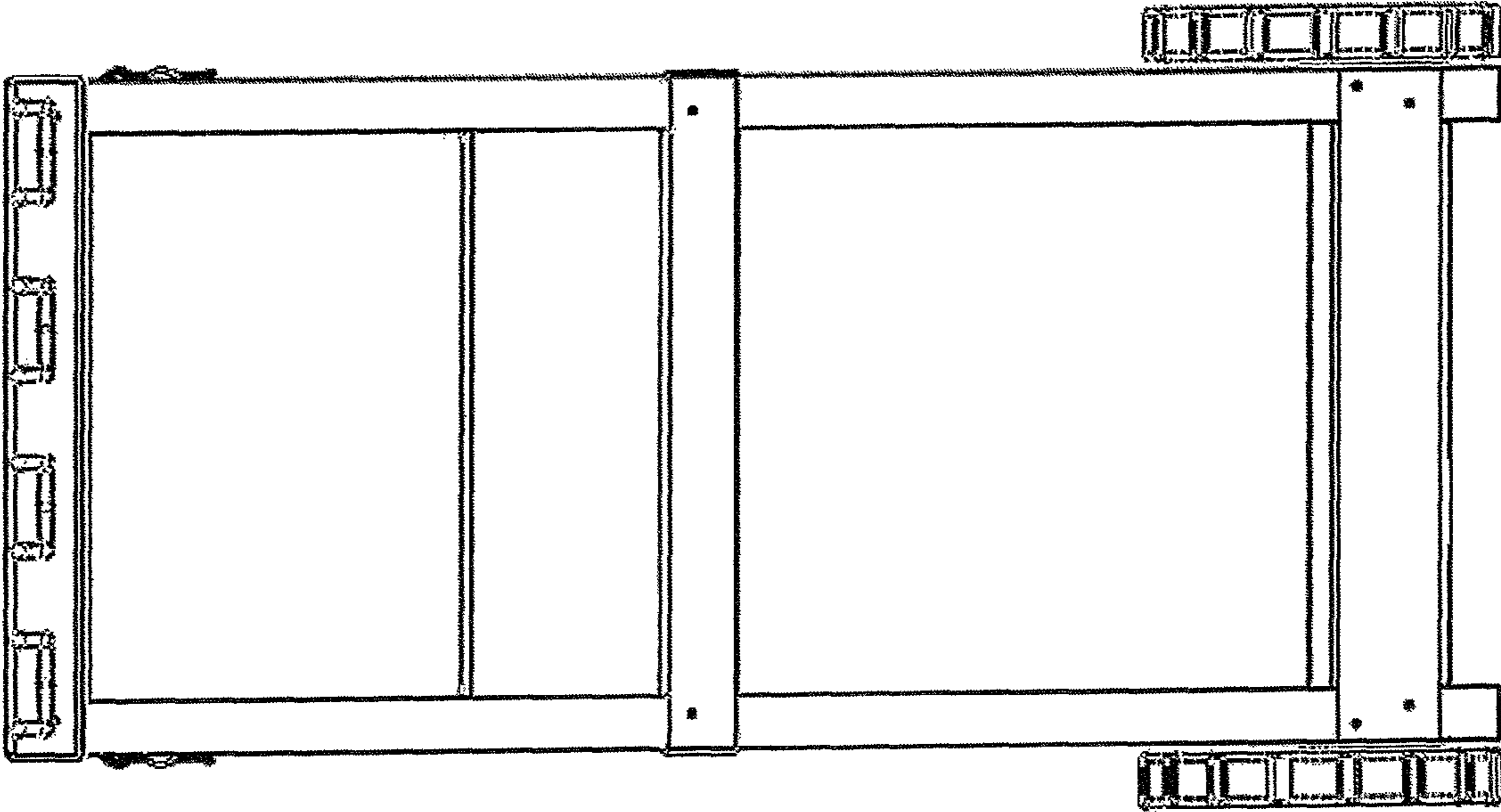




Figure 3

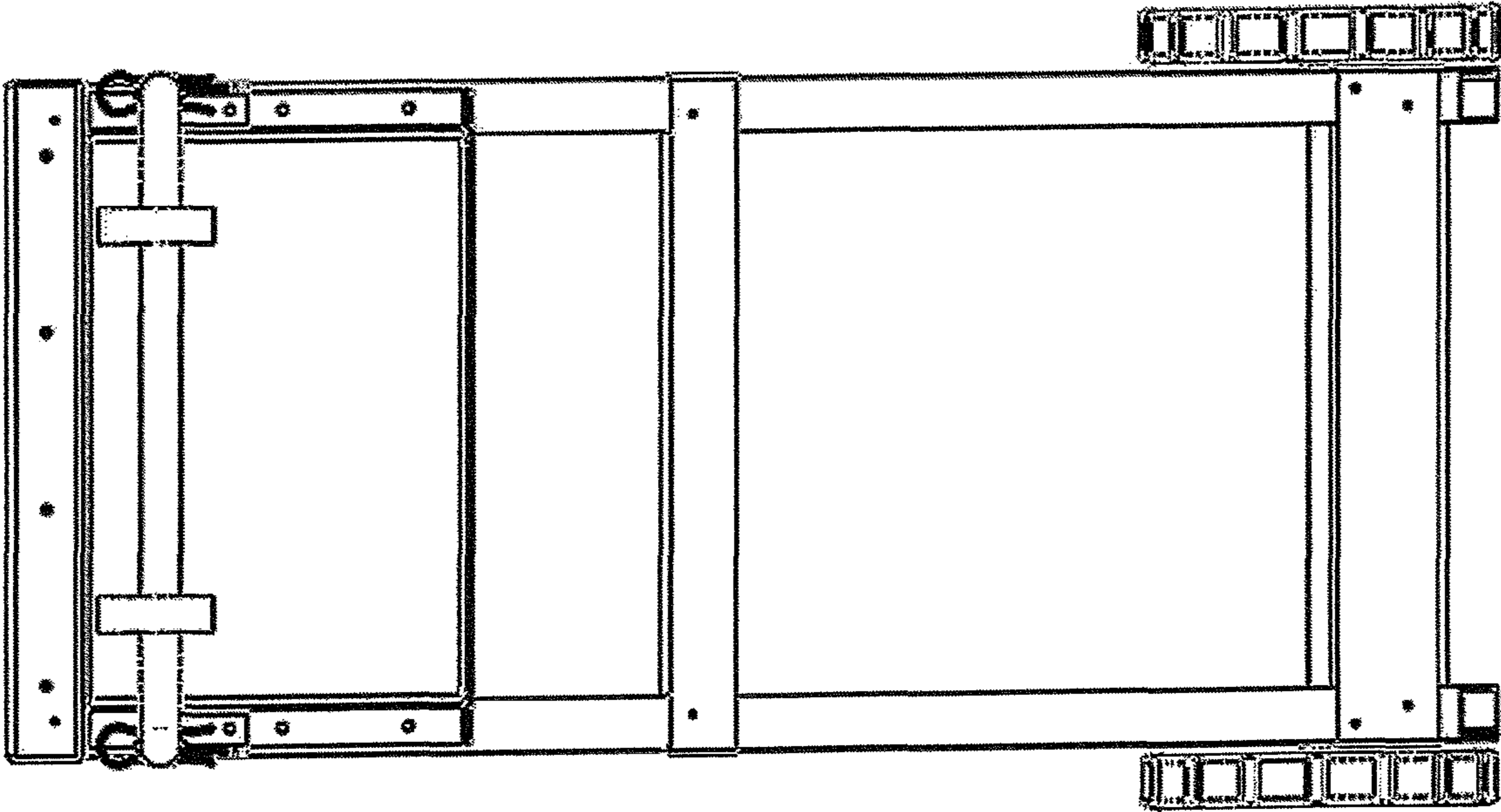
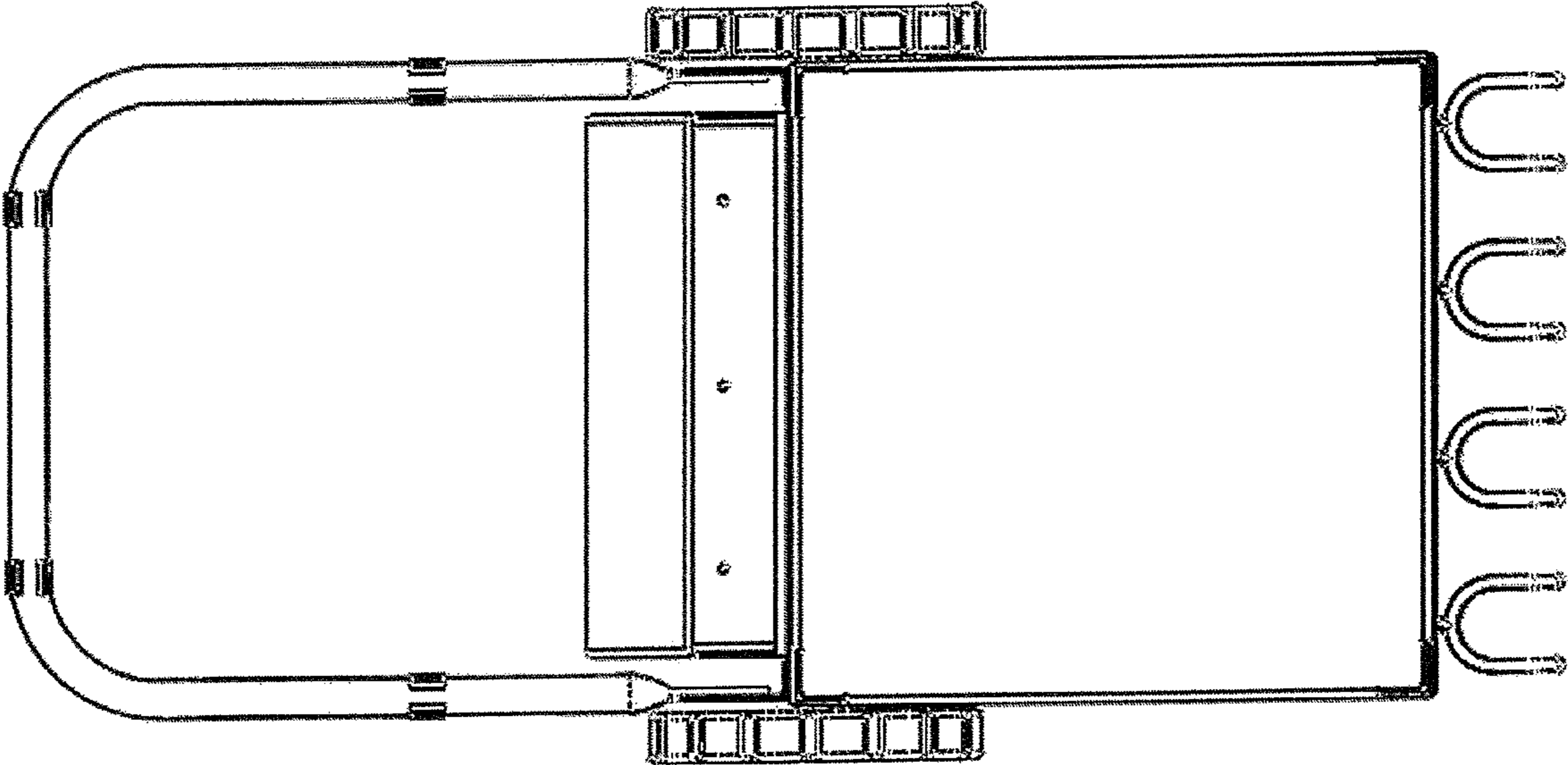


Figure 4



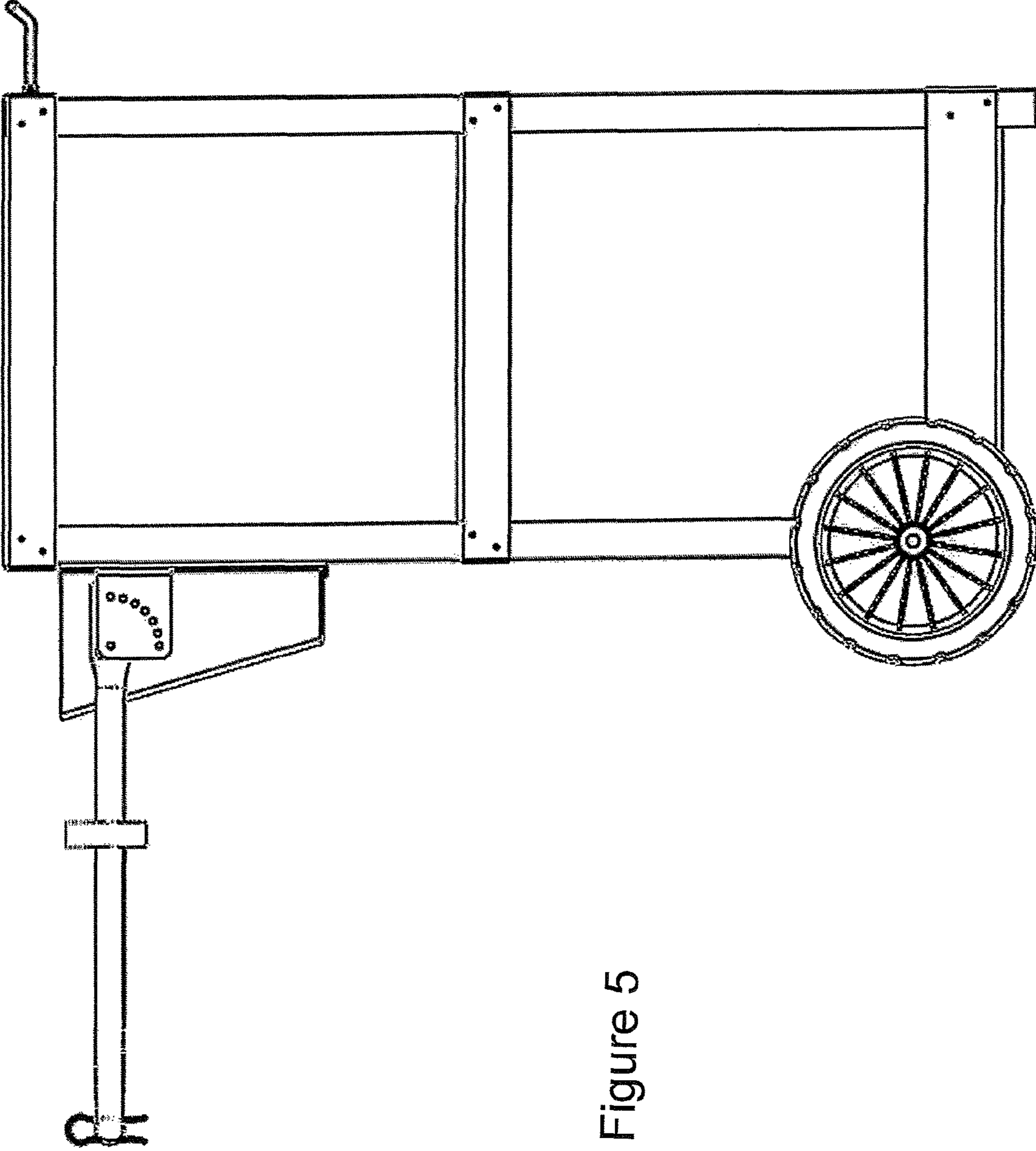


Figure 5