



US00D638190S

(12) **United States Design Patent**
Spann

(10) **Patent No.:** **US D638,190 S**

(45) **Date of Patent:** **** May 17, 2011**

(54) **COMBINED FISHING CHAIR AND CARRIER**

(76) **Inventor:** **Charles S. Spann**, Riveria Beach, FL
(US)

(**) **Term:** **14 Years**

(21) **Appl. No.:** **29/362,300**

(22) **Filed:** **May 24, 2010**

(51) **LOC (9) Cl.** **12-02**

(52) **U.S. Cl.** **D34/14**

(58) **Field of Classification Search** D34/12-27;
280/47.26, 47.31, 47.34, 47.35, 47.19, 79.2,
280/652; 43/54.1; 206/315.11

See application file for complete search history.

(56) **References Cited**

U.S. PATENT DOCUMENTS

D264,888	S	*	6/1982	Watts	D34/26
4,350,366	A	*	9/1982	Helms	280/655
4,355,818	A	*	10/1982	Watts	280/654
5,333,885	A	*	8/1994	Pullman	280/47.19
D357,783	S	*	4/1995	Jones	D34/26
D372,350	S	*	7/1996	Olson	D34/26
D378,456	S	*	3/1997	Speicher	D34/25
D410,784	S	*	6/1999	Sandford et al.	D34/14
6,082,757	A	*	7/2000	Lin	280/654
6,131,925	A	*	10/2000	Weldon	280/30
6,467,779	B1	*	10/2002	Mills	280/47.26
D473,990	S	*	4/2003	Hittle	D34/18
D481,511	S	*	10/2003	Lee	D34/24
6,880,851	B1	*	4/2005	Summers et al.	280/652

6,962,354	B1	*	11/2005	Miller	280/47.26
D558,948	S	*	1/2008	Miller et al.	D34/24
7,471,437	B2	*	12/2008	Lenhard et al.	359/265
2006/0232033	A1	*	10/2006	Pint	280/79.2
2009/0243241	A1	*	10/2009	Arakawa et al.	280/47.19

* cited by examiner

Primary Examiner — Cynthia E Ramirez

(74) *Attorney, Agent, or Firm* — Robert C. Kain, Jr.

(57) **CLAIM**

The ornamental design for a combined fishing chair and carrier, as shown and described.

DESCRIPTION

FIG. 1 is a front perspective view of a combined fishing chair and carrier showing my new design;

FIG. 2 is a rear elevational view of the combined fishing chair and carrier.

FIG. 3 is a right side elevational view of the combined fishing chair and carrier.

FIG. 4 is a front elevational view of the combined fishing chair and carrier.

FIG. 5 is a top view of the combined fishing chair and carrier.

FIG. 6 is a bottom view of the combined fishing chair and carrier; and,

FIG. 7 is a left elevational view of the combined fishing chair and carrier.

The broken line showing a cooler is for the purpose of illustrations and forms no part of the claimed design.

1 Claim, 7 Drawing Sheets

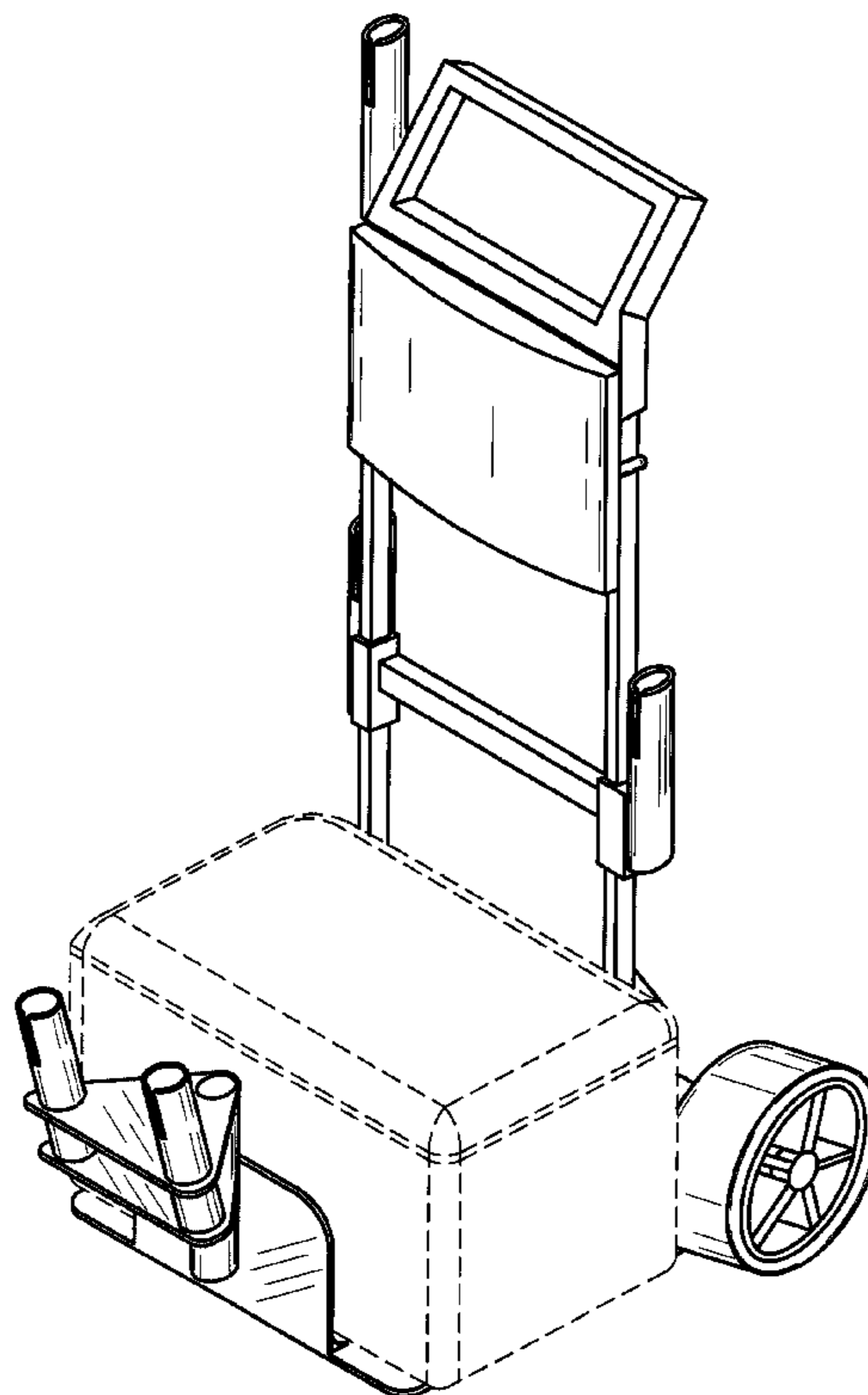


FIG. 1

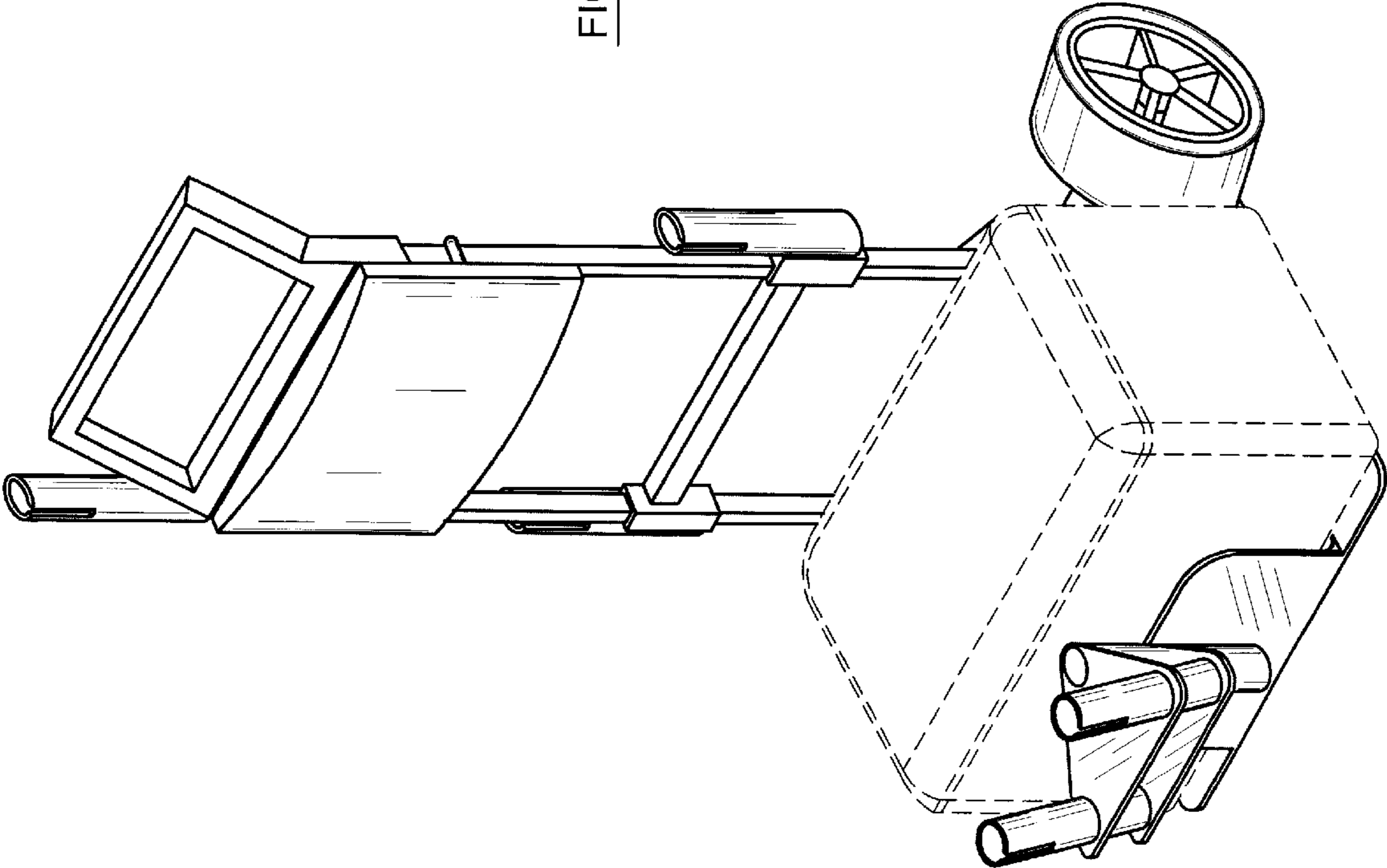


FIG.2

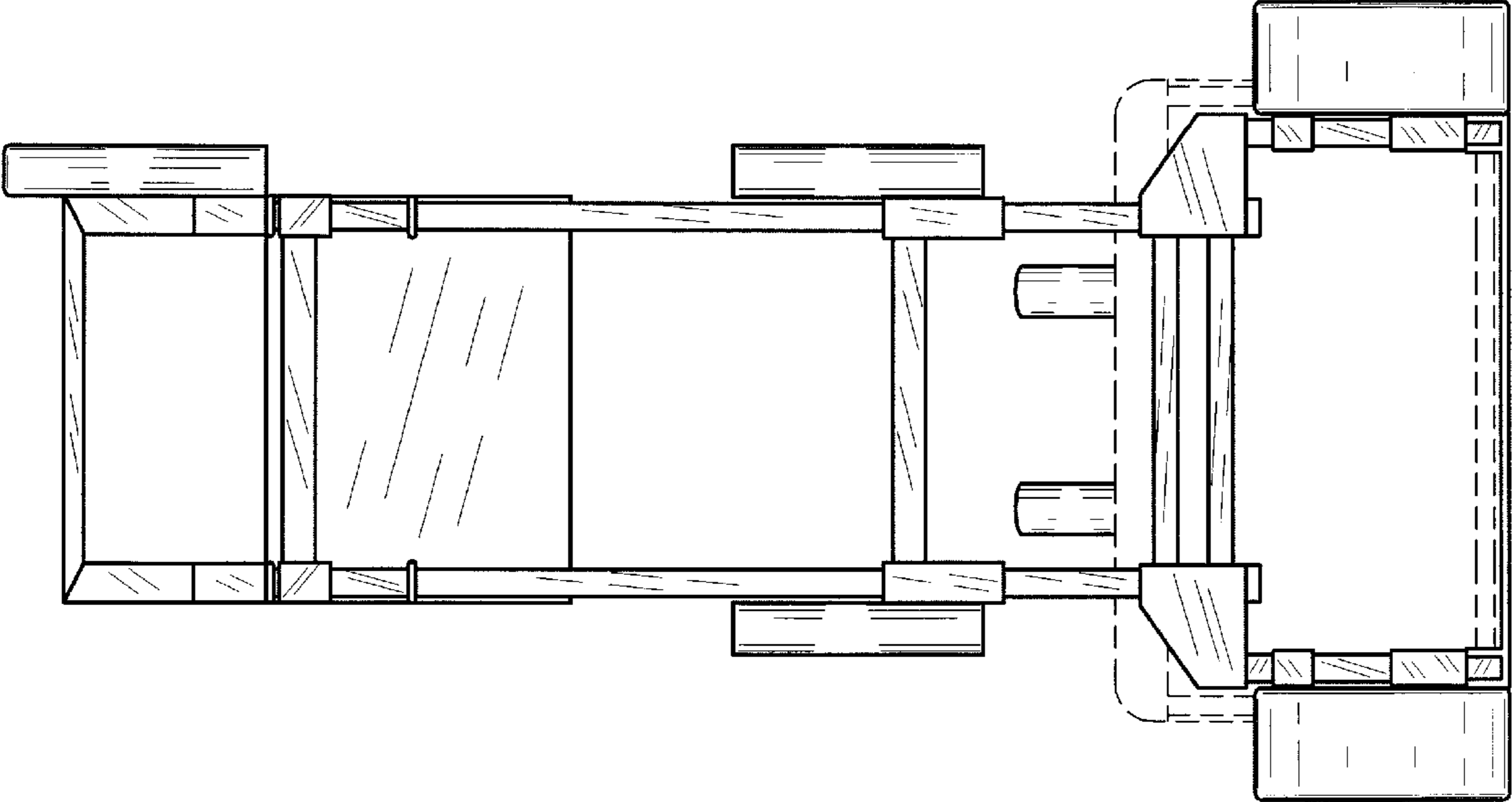
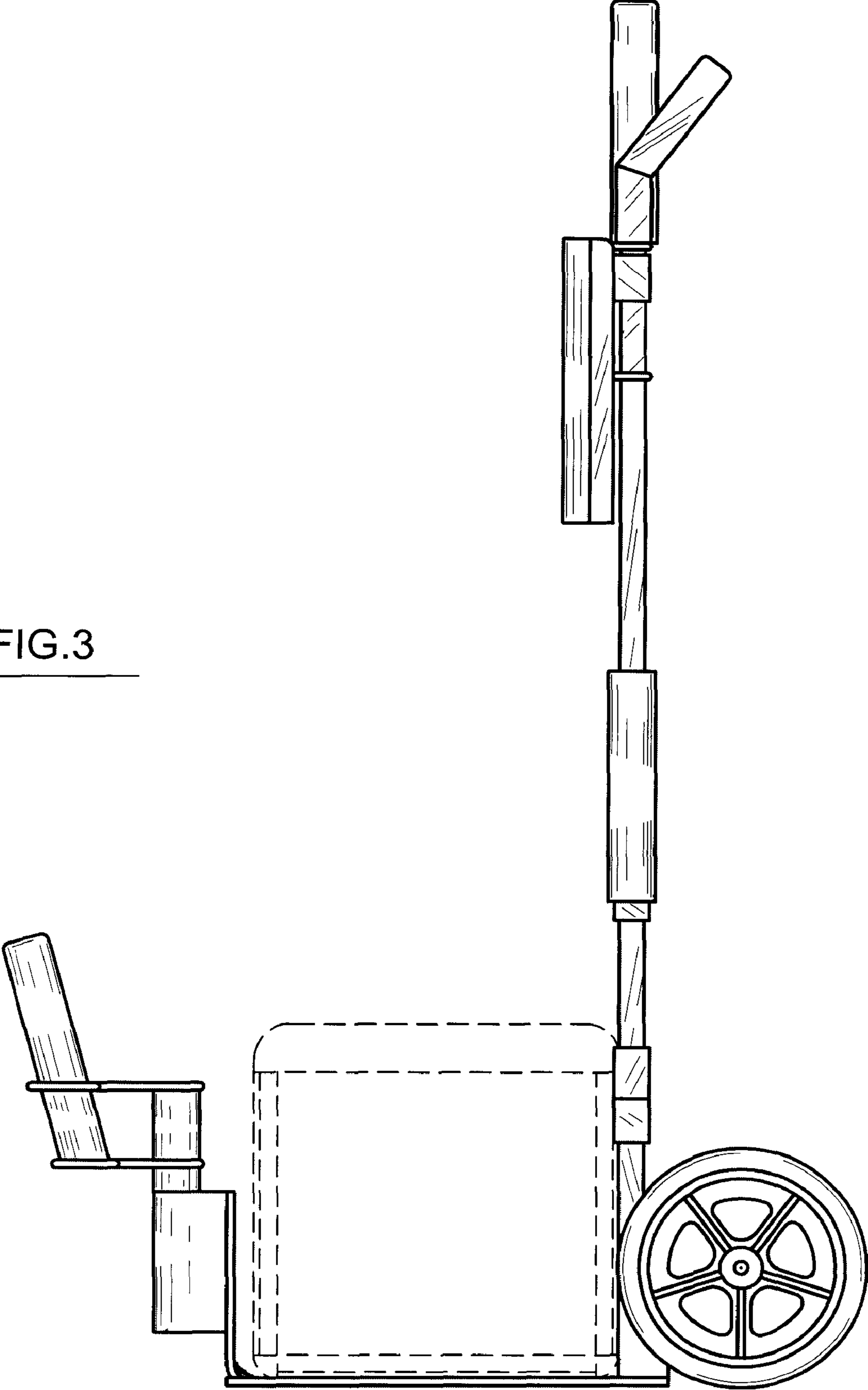


FIG.3



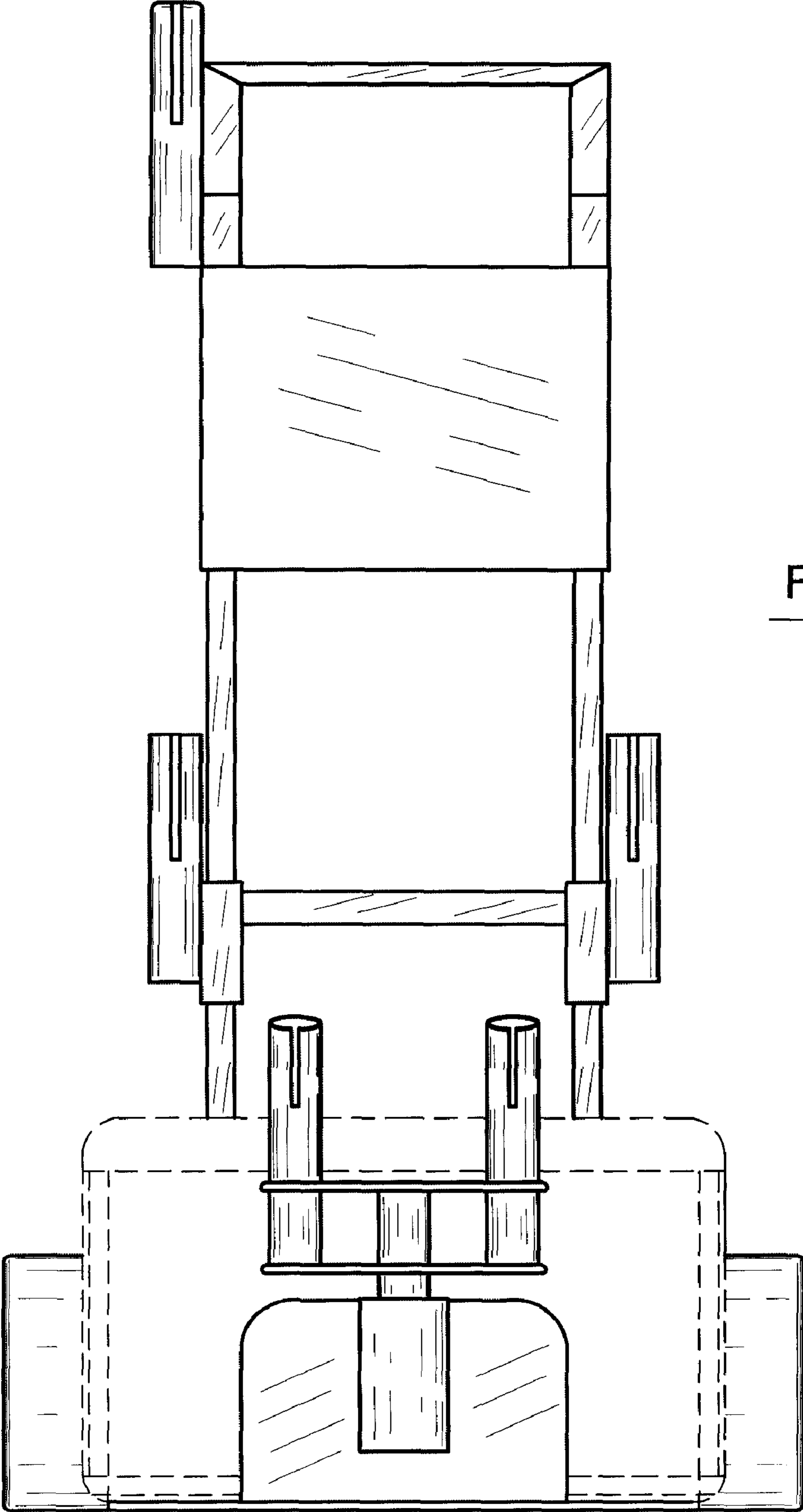


FIG. 4

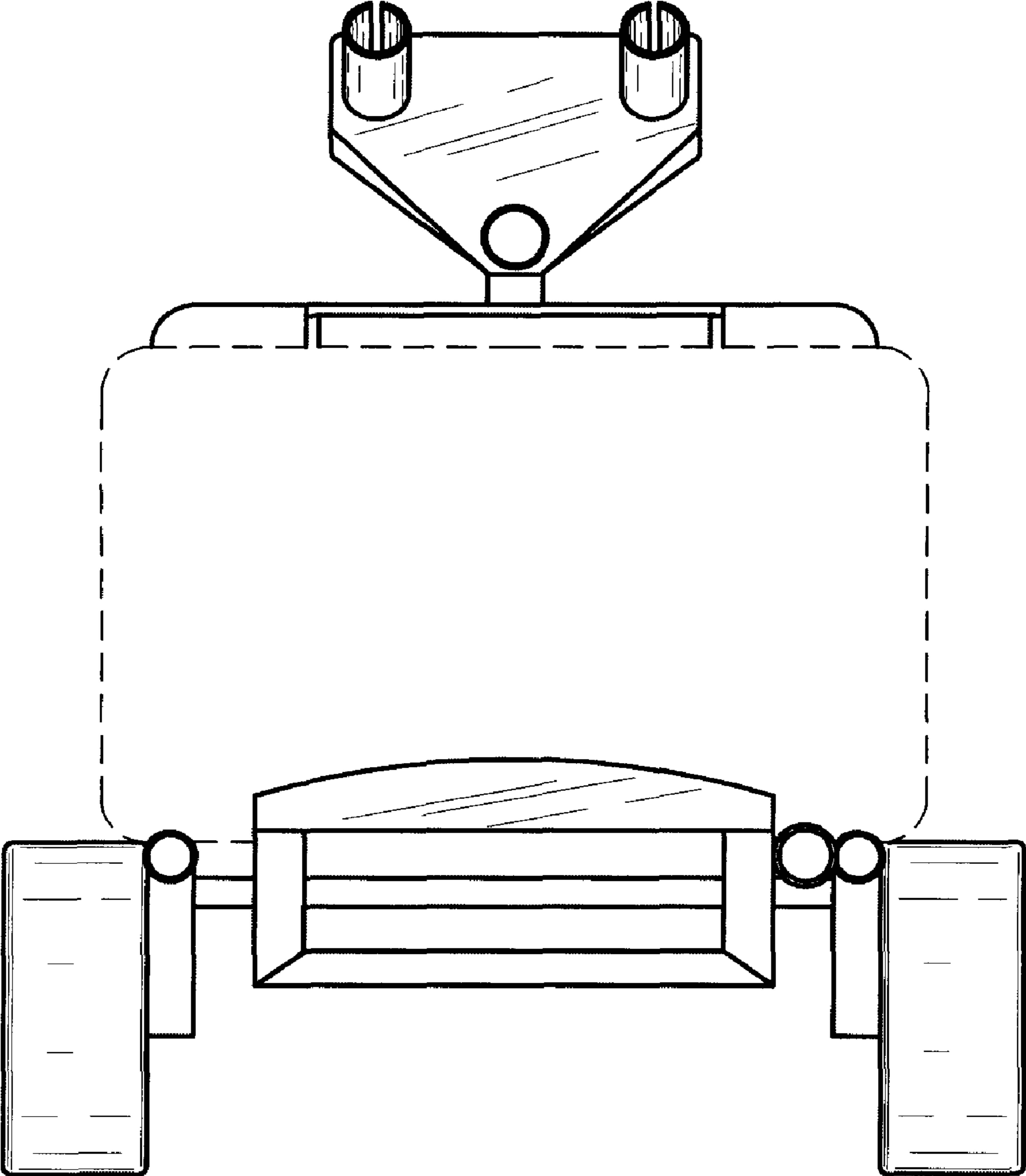


FIG. 5

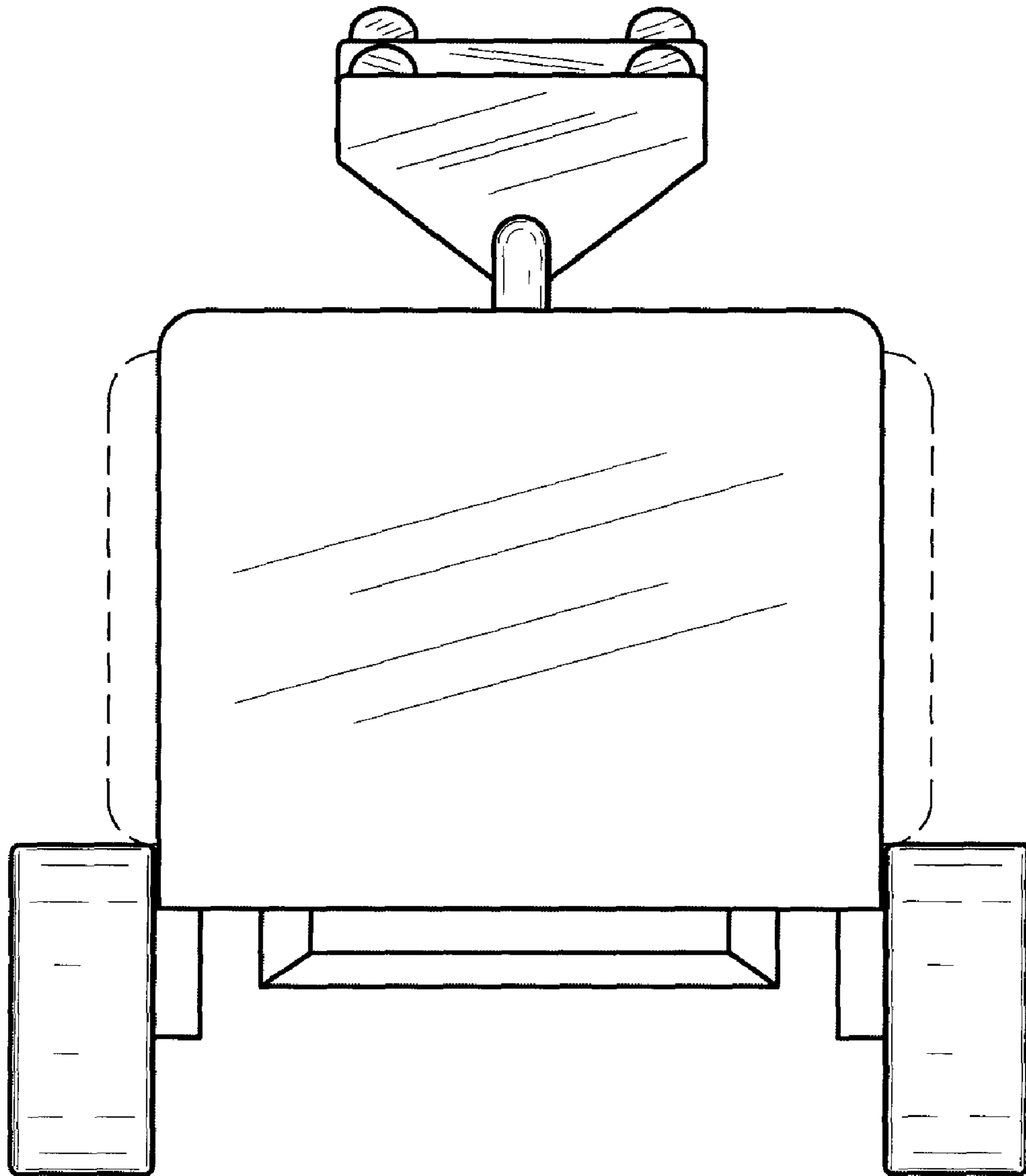


FIG.6

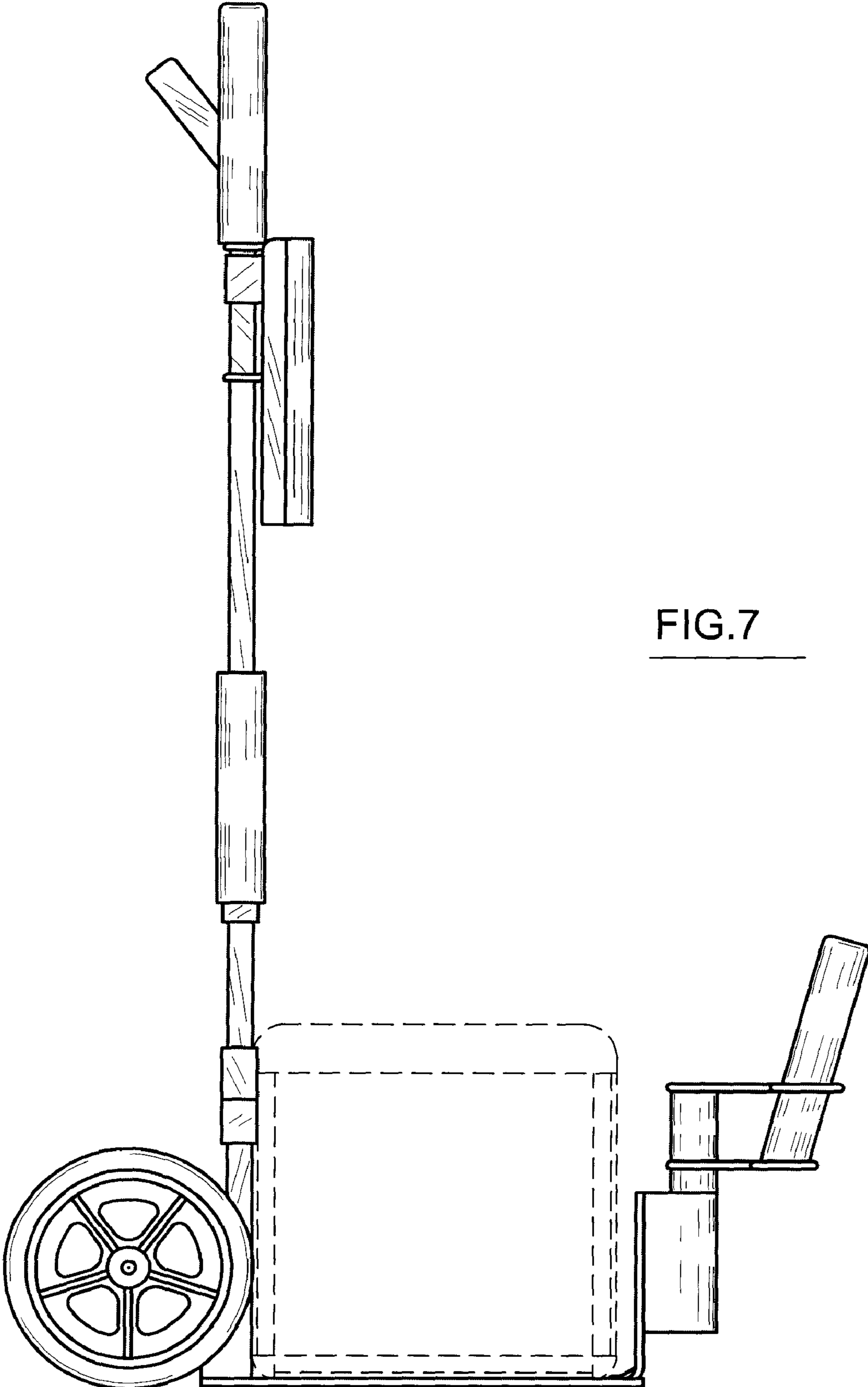


FIG. 7