



US00D638186S

(12) **United States Design Patent**  
**Yoon**

(10) **Patent No.:** **US D638,186 S**

(45) **Date of Patent:** **\*\* May 17, 2011**

(54) **MOP HEAD**

(75) **Inventor:** **Il Han Yoon**, Gyeonggi-do (KR)

(73) **Assignee:** **Iswill Co., Ltd.**, Seoul (KR)

(\*\*) **Term:** **14 Years**

(21) **Appl. No.:** **29/366,853**

(22) **Filed:** **Jul. 30, 2010**

(30) **Foreign Application Priority Data**

Feb. 17, 2010 (KR) ..... 30-2010-0006883

(51) **LOC (9) Cl.** ..... **04-01**

(52) **U.S. Cl.** ..... **D32/50**

(58) **Field of Classification Search** ..... D32/50,  
D32/51, 39-45; 15/116.1, 116.2, 119.2,  
15/147.1, 147.2, 150, 208, 209.1, 210.1,  
15/228; 401/137-140

See application file for complete search history.

(56) **References Cited**

**U.S. PATENT DOCUMENTS**

5,876,141 A \* 3/1999 Hsu ..... 15/147.1  
D429,860 S \* 8/2000 Denney ..... D32/40  
6,098,239 A \* 8/2000 Vosbikian ..... 15/228  
D431,100 S \* 9/2000 Denney ..... D32/40

D446,895 S \* 8/2001 Denney ..... D32/40  
D465,890 S \* 11/2002 Rivera et al. .... D32/50  
D506,050 S \* 6/2005 Lalanne et al. .... D32/45  
D515,759 S \* 2/2006 Fischer ..... D32/45  
D536,176 S \* 2/2007 Ramirez ..... D32/50  
D563,068 S \* 2/2008 Jiang et al. .... D32/50  
D585,612 S \* 1/2009 Soller et al. .... D32/50  
D588,770 S \* 3/2009 Koenig et al. .... D32/50  
D617,066 S \* 6/2010 Koenig et al. .... D32/50

\* cited by examiner

*Primary Examiner* — David G Muller

(74) *Attorney, Agent, or Firm* — Duane Morris LLP

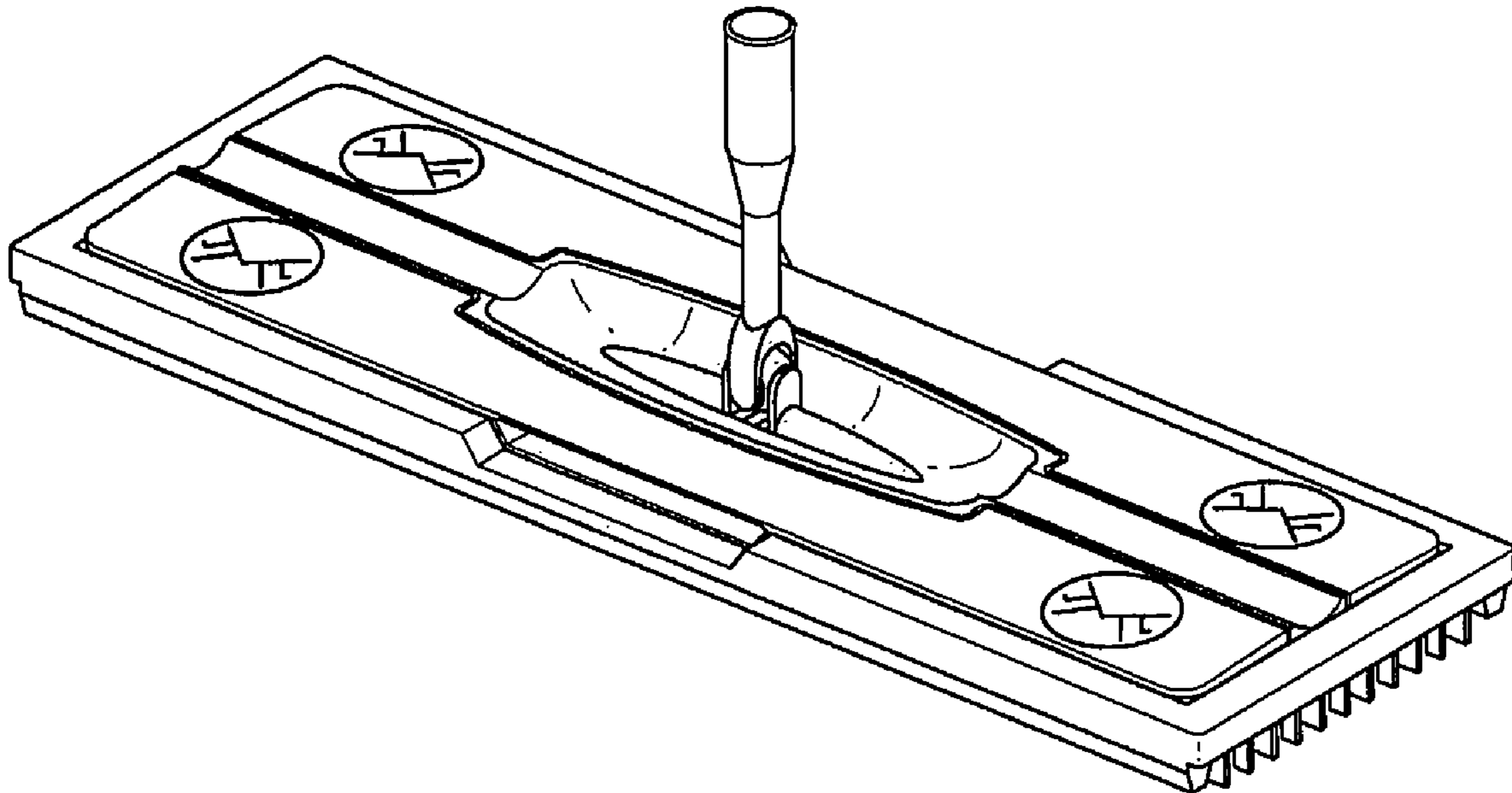
(57) **CLAIM**

The ornamental design for a mop head, as shown and described in the Figures.

**DESCRIPTION**

FIG. 1 is a perspective view of the mop head;  
FIG. 2 is a side view of the mop head, the opposite side view is a mirror image thereto;  
FIG. 3 is an end view of the mop head, the opposite end view of the mop head is a mirror image thereto;  
FIG. 4 is a top plan view of the mop head; and,  
FIG. 5 is a bottom plan view of the mop head.  
The dashed lines immediately adjacent to the claimed areas in FIGS. 2 and 4 represent the boundaries of the claimed design and form no part of the claimed design.

**1 Claim, 2 Drawing Sheets**



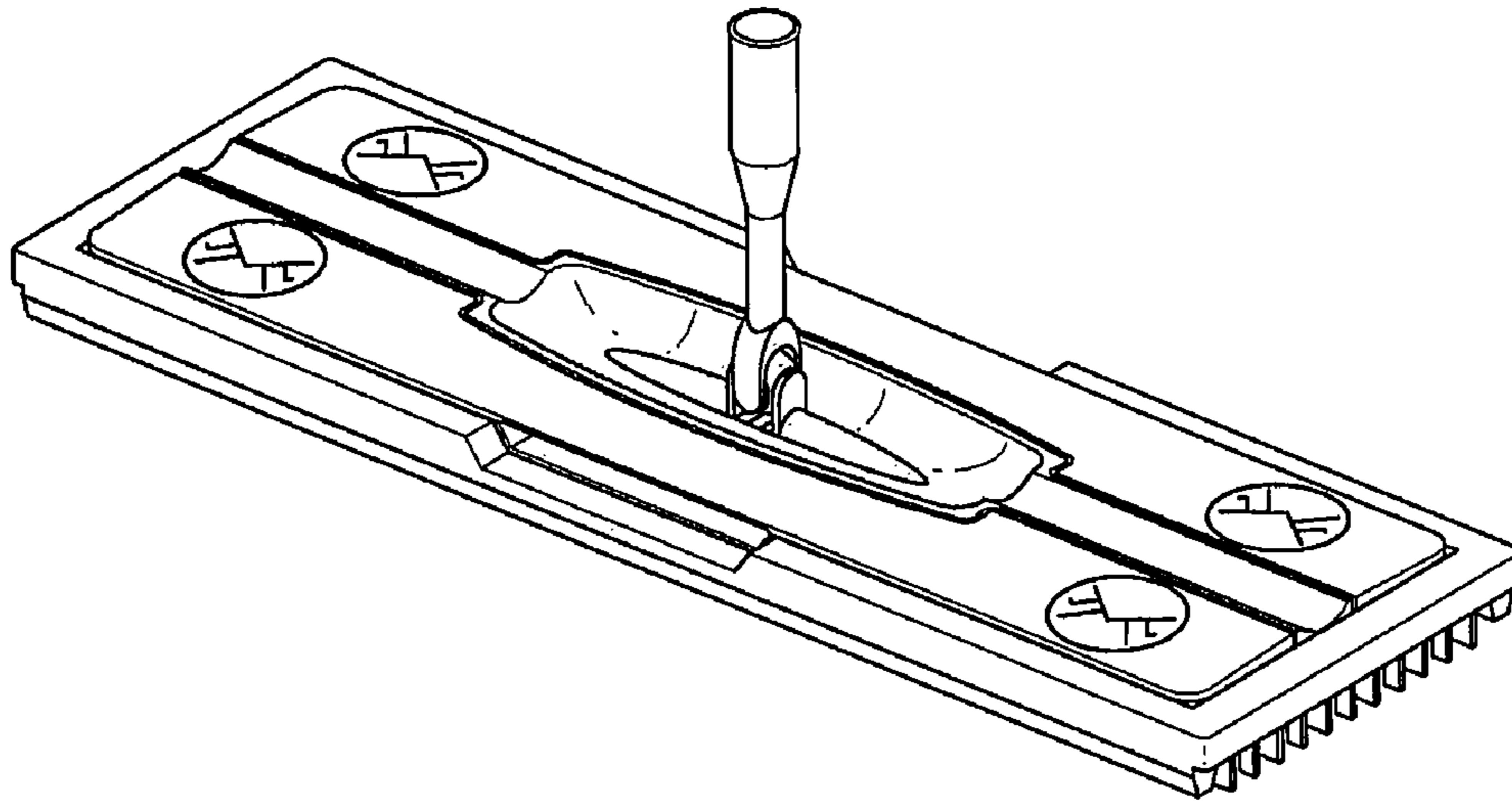


FIG. 1

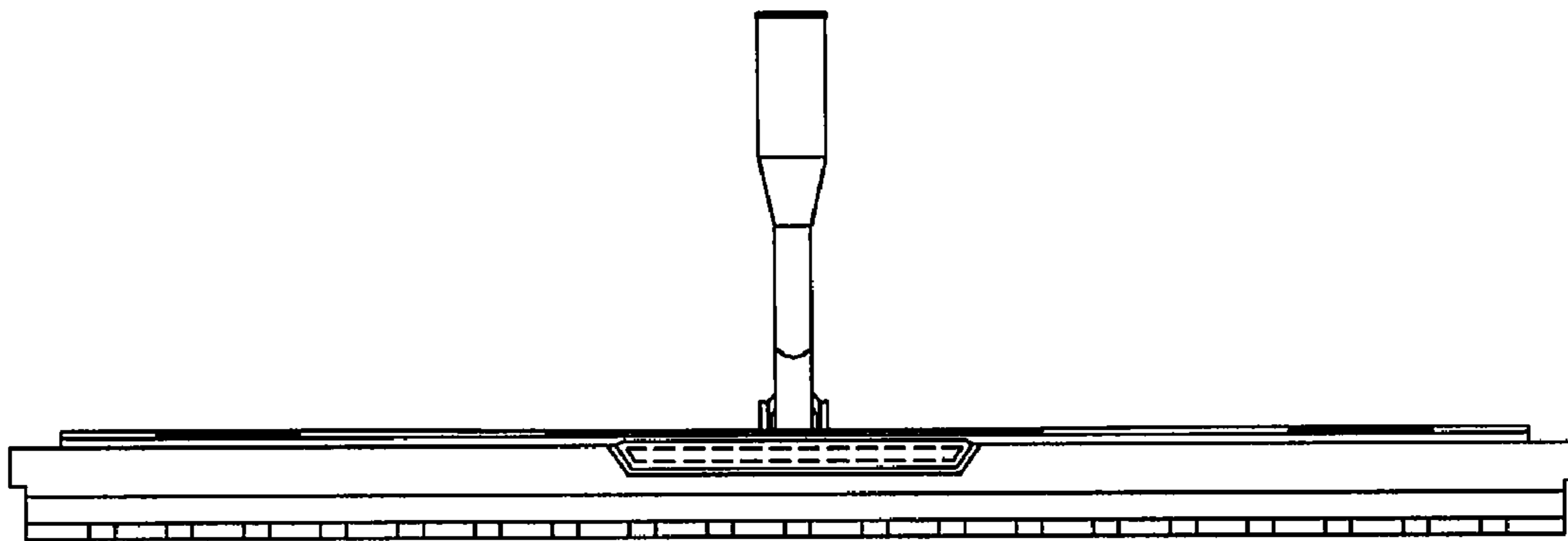


FIG. 2

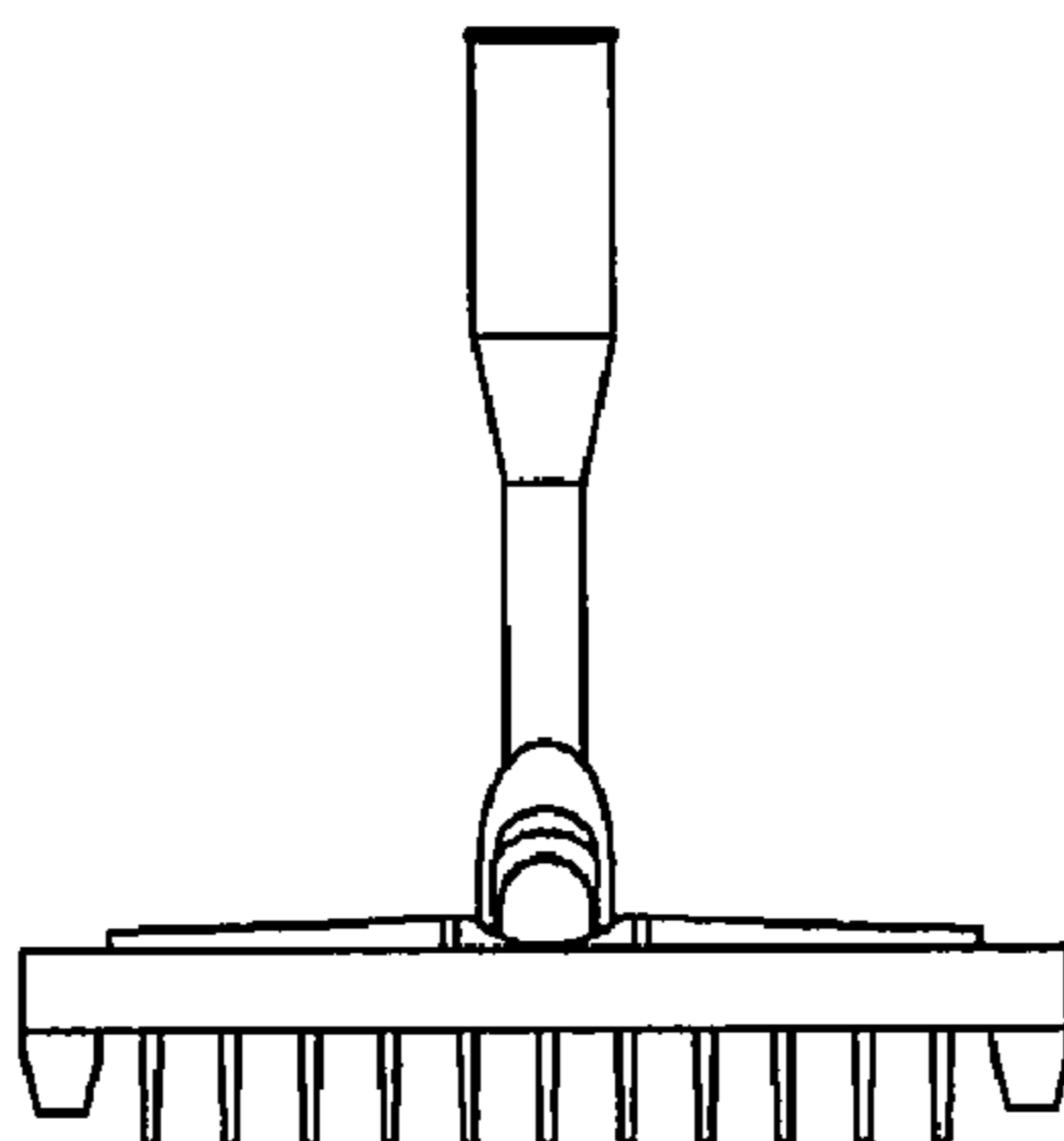


FIG. 3

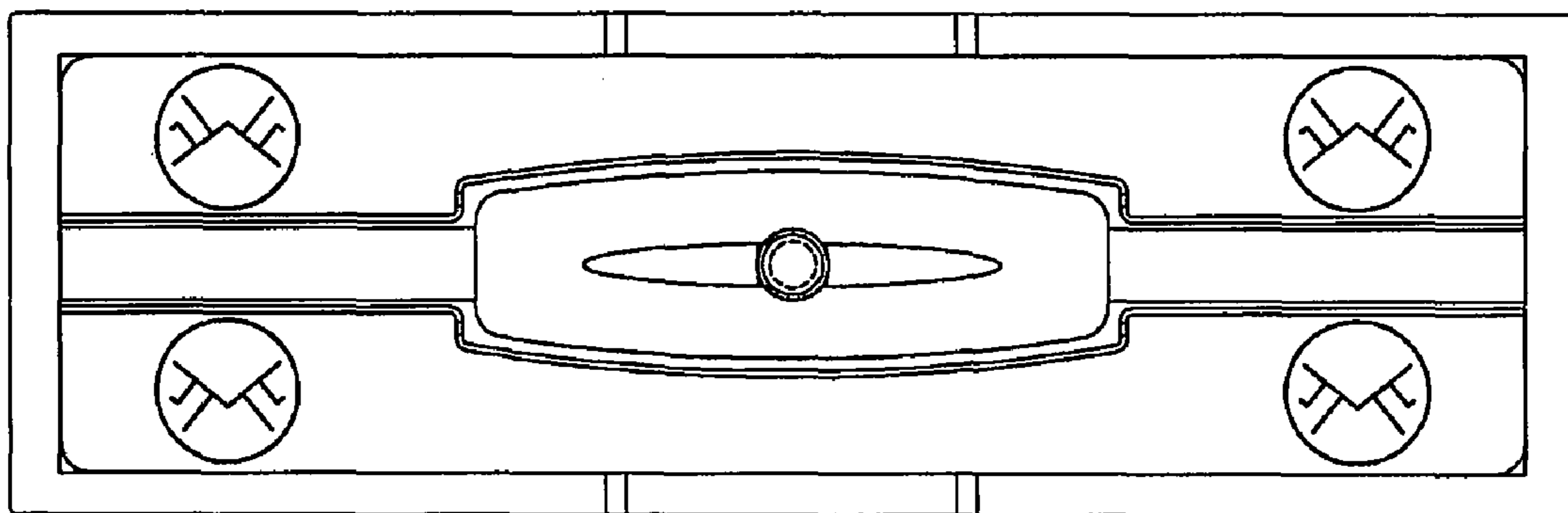


FIG. 4

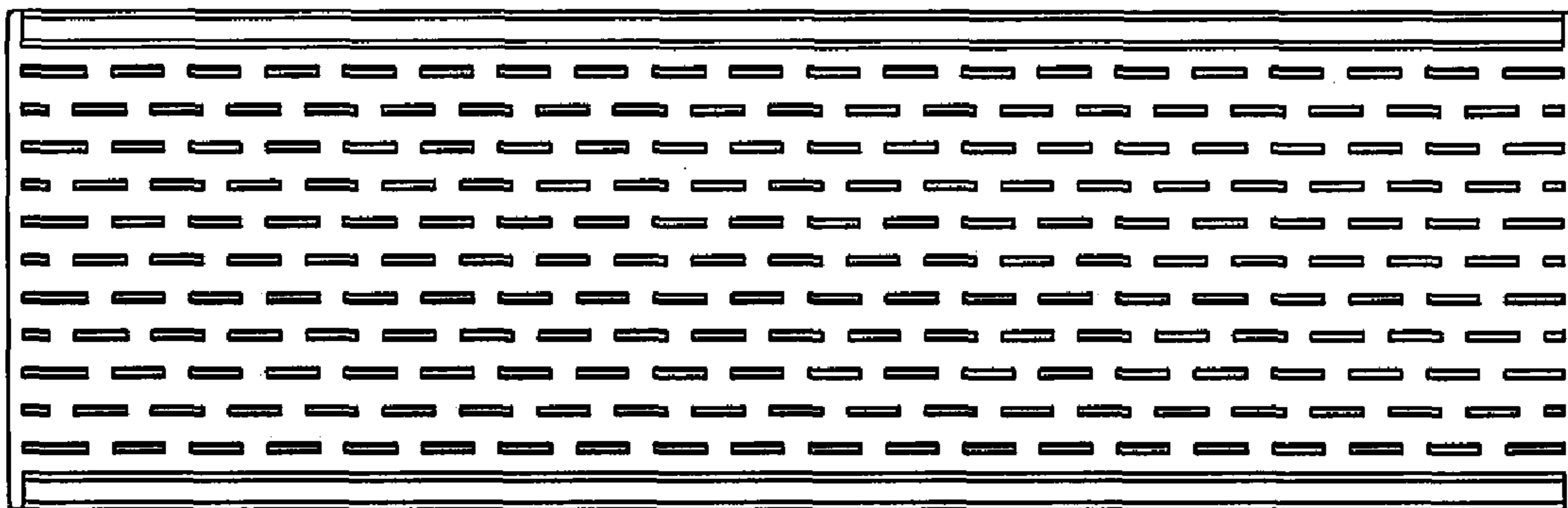


FIG. 5