

US00D638185S

(12) **United States Design Patent**
Yoon

(10) **Patent No.:** **US D638,185 S**

(45) **Date of Patent:** **** May 17, 2011**

(54) **MOP HEAD**

(75) Inventor: **Il Han Yoon**, Gyeonggi-do (KR)

(73) Assignee: **Iswill Co., Ltd.**, Seoul (KR)

(**) Term: **14 Years**

(21) Appl. No.: **29/366,828**

(22) Filed: **Jul. 30, 2010**

(30) **Foreign Application Priority Data**

Feb. 8, 2010 (KR) 30-2010-0005674

(51) **LOC (9) Cl.** **04-01**

(52) **U.S. Cl.** **D32/50**

(58) **Field of Classification Search** D32/50,
D32/51, 39-45; 15/116.1, 116.2, 119.2,
15/147.1, 147.2, 150, 208, 209.1, 210.1,
15/228; 401/137-140

See application file for complete search history.

(56) **References Cited**

U.S. PATENT DOCUMENTS

D198,562	S	*	7/1964	Politzer et al.	D32/40
3,538,533	A	*	11/1970	Woods	D32/50
5,483,719	A	*	1/1996	Ikemoto et al.	401/138
D408,105	S	*	4/1999	Chreene	D32/41
D412,248	S	*	7/1999	Berti	D32/50
D427,401	S	*	6/2000	Kunkler	D32/50
D429,860	S	*	8/2000	Denney	D32/40
D430,716	S	*	9/2000	Denney	D32/40
D431,100	S	*	9/2000	Denney	D32/40
6,148,466	A	*	11/2000	Smitelli et al.	D32/50

D446,895	S	*	8/2001	Denney	D32/40
D447,300	S	*	8/2001	Denney	D32/40
D452,053	S	*	12/2001	Denney	D32/40
D536,176	S	*	2/2007	Ramirez	D32/50
7,284,293	B1	*	10/2007	Holder et al.	15/210.1
D589,667	S	*	3/2009	Andersen et al.	D32/45
7,690,069	B2	*	4/2010	Chen et al.	15/228
D625,480	S	*	10/2010	Raven	D32/50
D626,711	S	*	11/2010	Kaminer et al.	D32/40

* cited by examiner

Primary Examiner — David G Muller

(74) *Attorney, Agent, or Firm* — Duane Morris LLP

(57) **CLAIM**

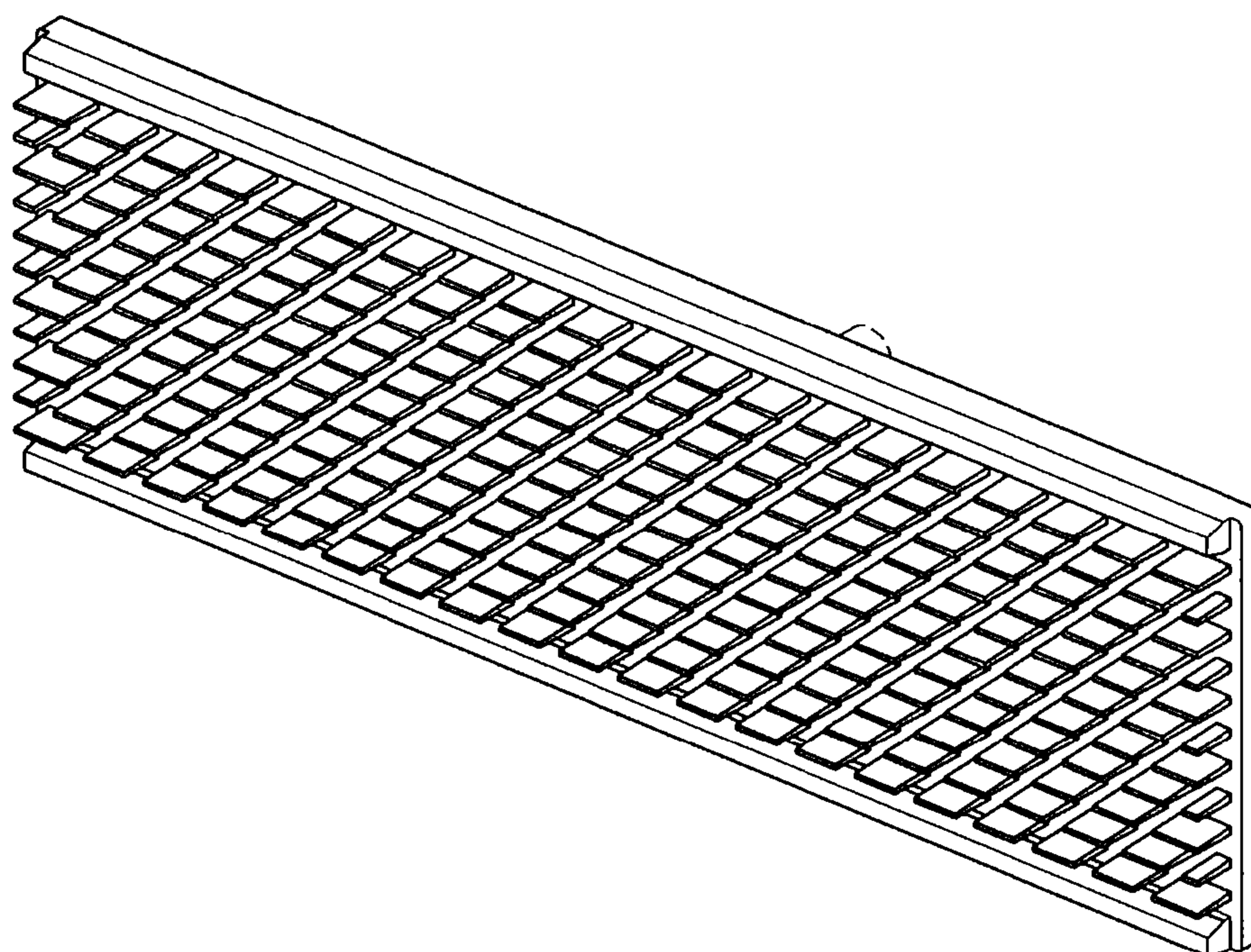
The ornamental design for a mop head, as shown and described in the Figures.

DESCRIPTION

FIG. 1 is a perspective view of the mop head;
FIG. 2 is a front end view of the mop head;
FIG. 3 is a back end view of the mop head;
FIG. 4 is a side view of the mop head;
FIG. 5 is a side view of the mop head, opposite that shown in FIG. 4;
FIG. 6 is a top plan view of the mop head; and,
FIG. 7 is a bottom plan view of the mop head.

The phantom lines immediately adjacent to the claimed areas in FIG. 3 represent the boundaries of the claimed design. The dashed lines in the figures illustrate the portions of the design that form no part of the claimed design. None of the broken lines form any part of the claimed design.

1 Claim, 2 Drawing Sheets



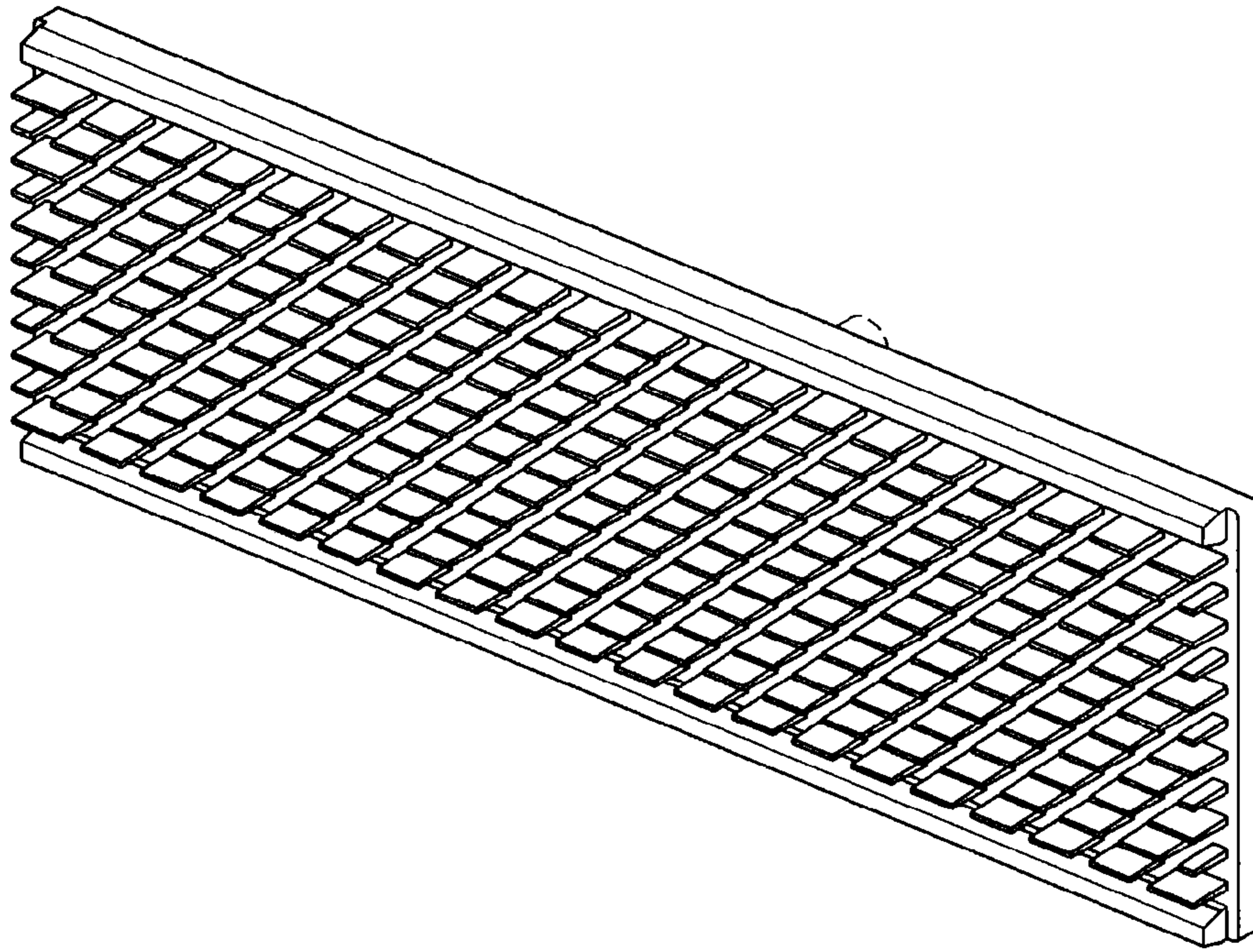


FIG. 1

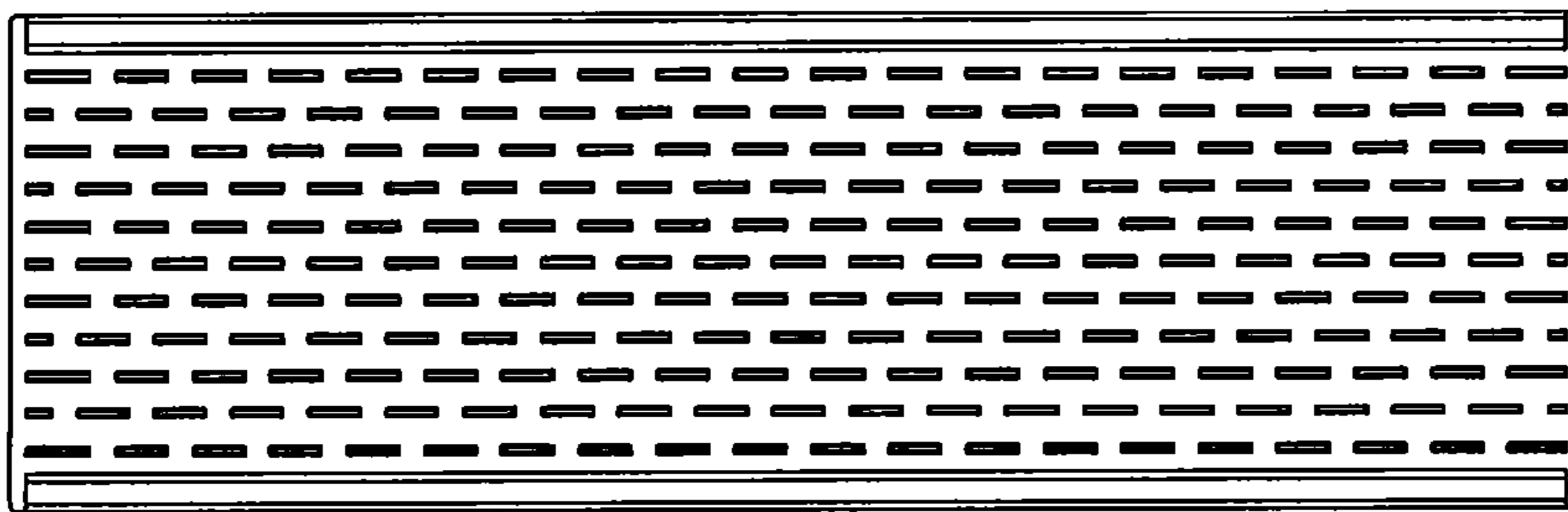


FIG. 2

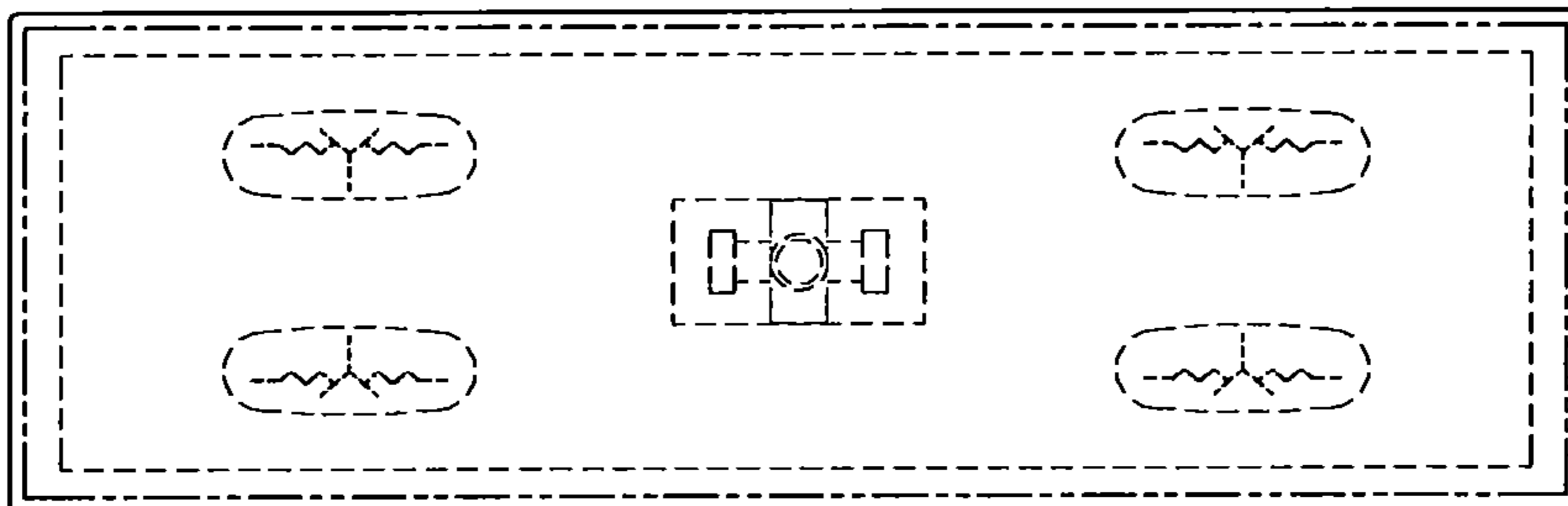


FIG. 3

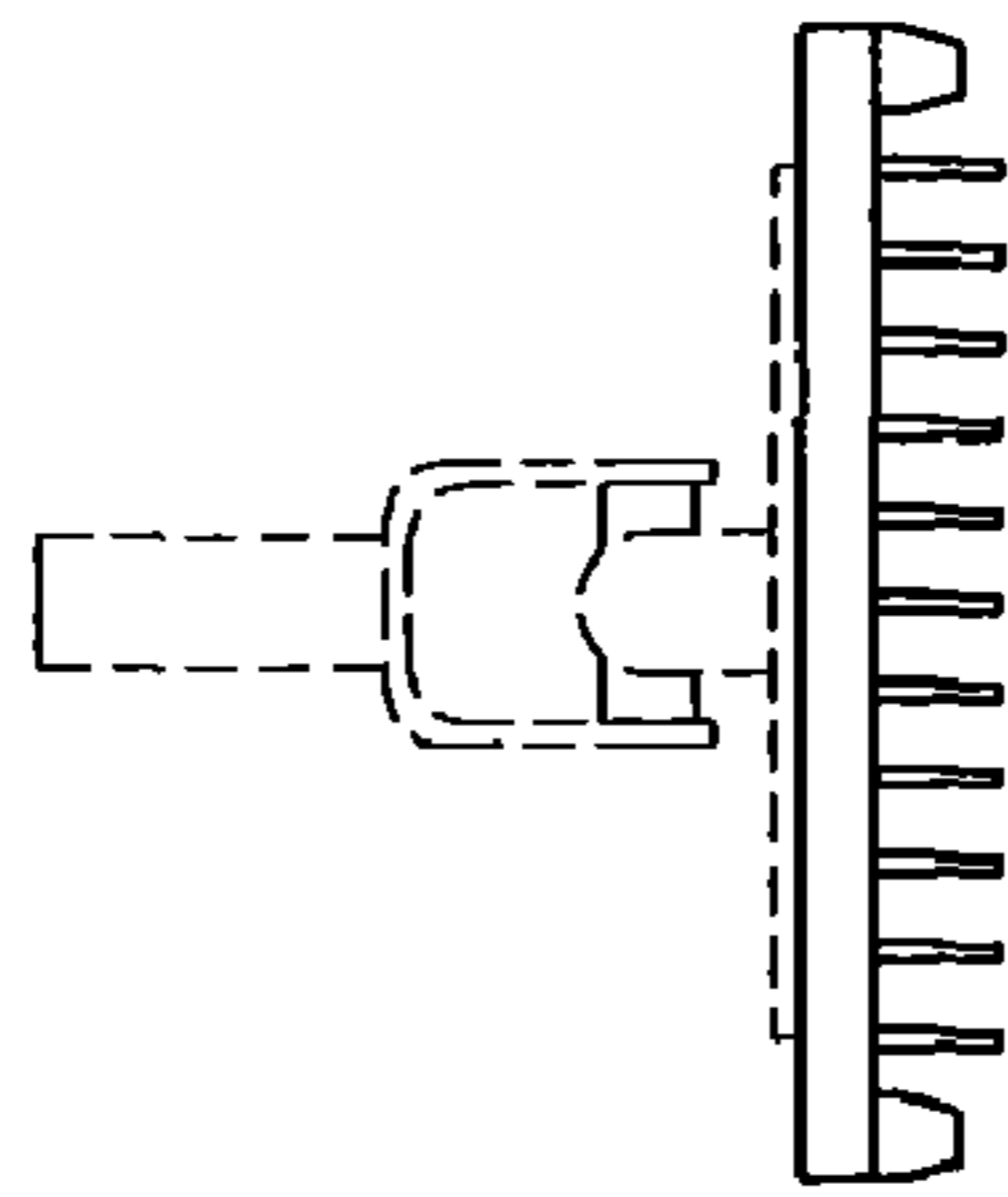


FIG. 4

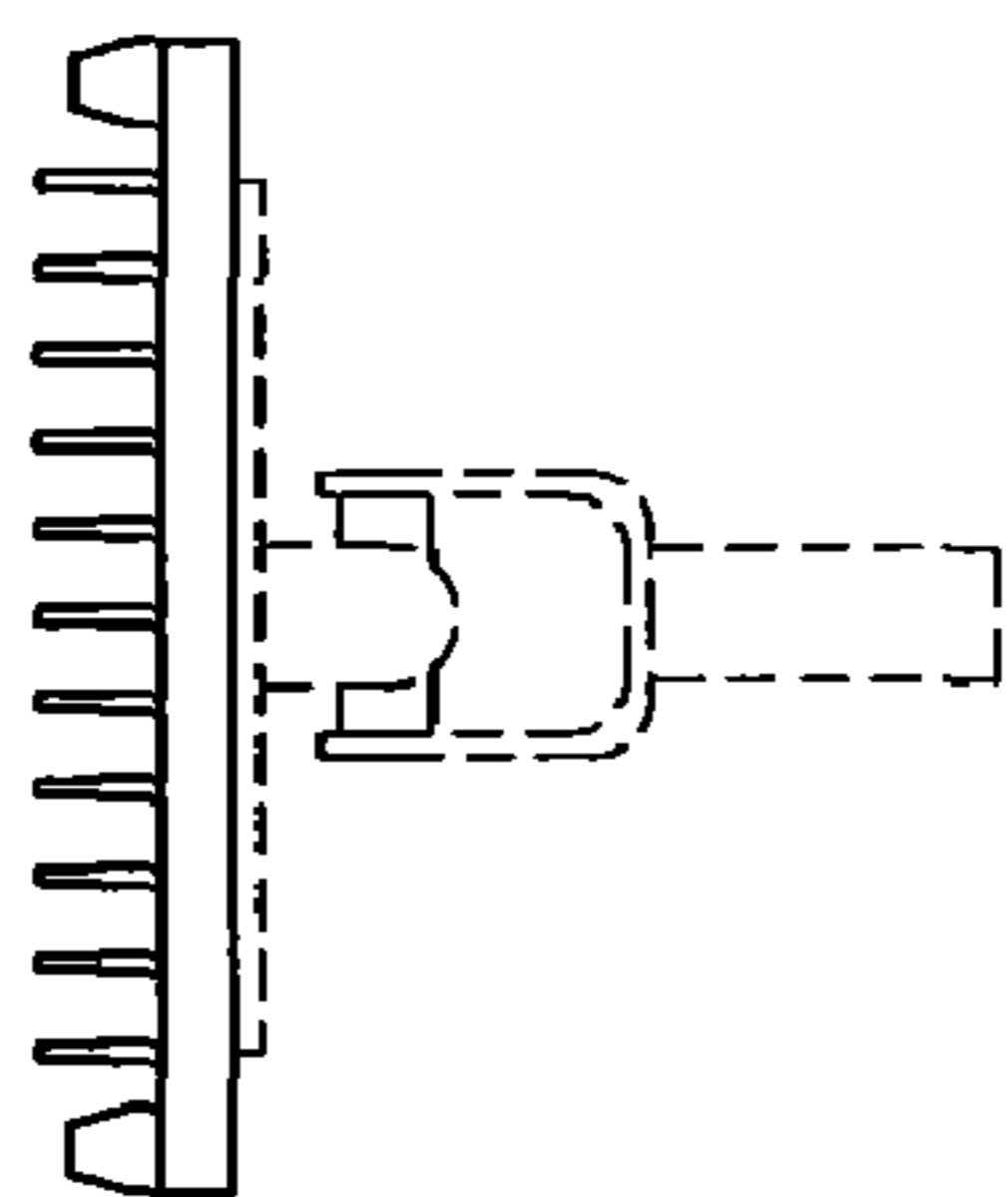


FIG. 5

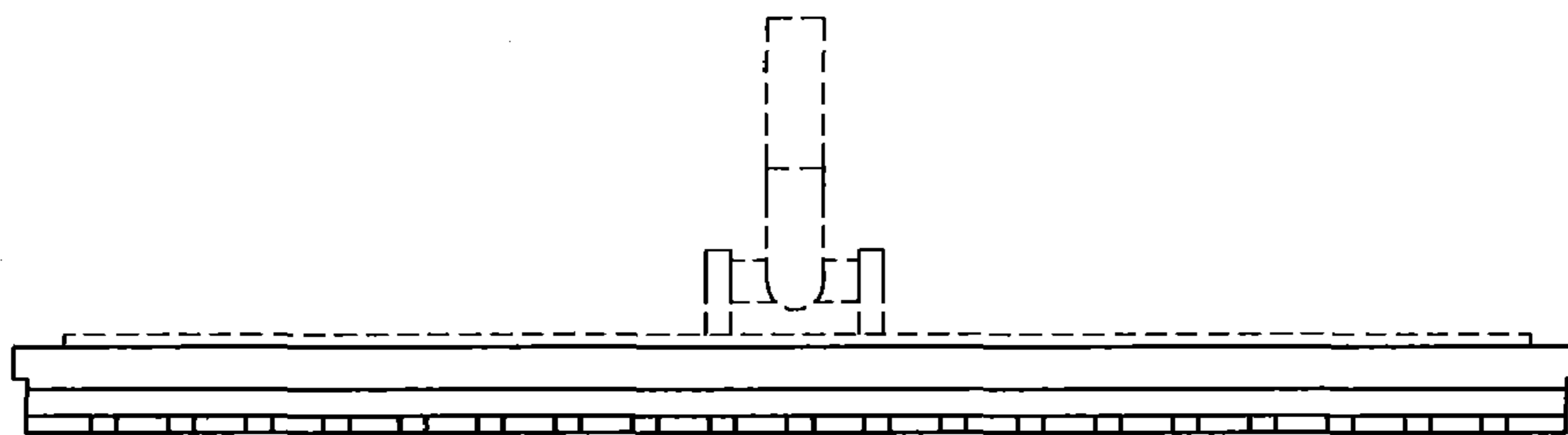


FIG. 6

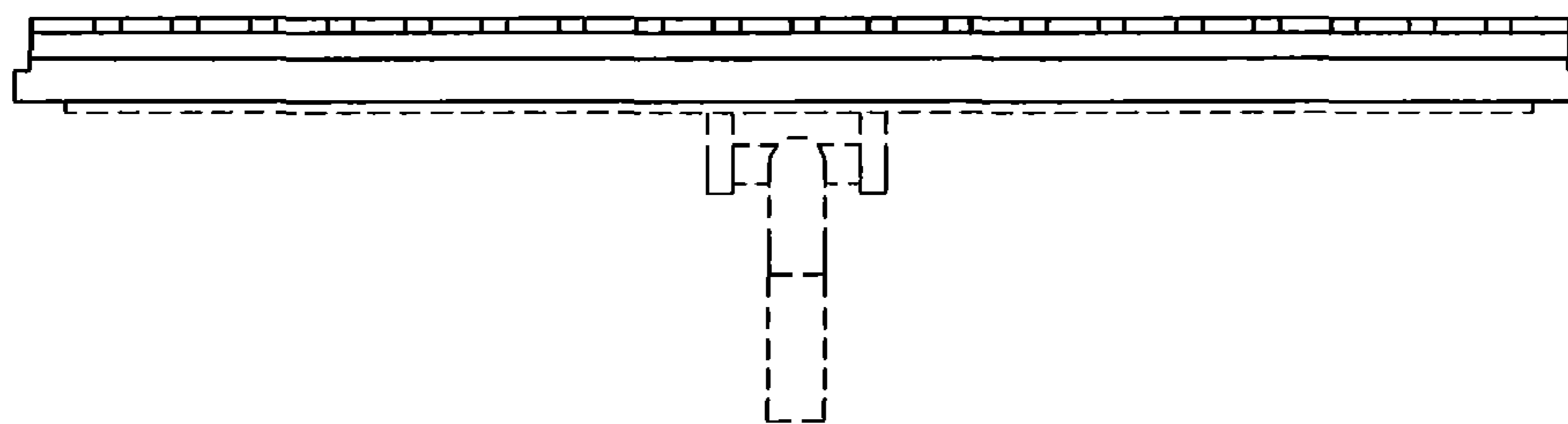


FIG. 7