



US00D638184S

(12) **United States Design Patent**
Lesche

(10) **Patent No.:** **US D638,184 S**

(45) **Date of Patent:** **** May 17, 2011**

(54) **LAWN MOWER SCRAPER TOOL**

(76) Inventor: **Peter W. Lesche**, Millville, NJ (US)

(**) Term: **14 Years**

(21) Appl. No.: **29/370,911**

(22) Filed: **Sep. 21, 2010**

(51) **LOC (9) Cl.** **08-05**

(52) **U.S. Cl.** **D32/46**

(58) **Field of Classification Search** D32/40-49;
D8/14, 98, 102, 45, 47, 18; D21/369, 385;
15/236.01-236.08, 143.1, 159.1, 160; 30/164.9,
30/169; D4/118, 132, 134; 7/105, 158; 56/400.05
See application file for complete search history.

(56) **References Cited**

U.S. PATENT DOCUMENTS

| | | | | |
|-----------|-----|---------|----------------|--------|
| 3,592,272 | A * | 7/1971 | Perez | 7/116 |
| D270,105 | S * | 8/1983 | Erickson | D32/42 |
| D285,014 | S * | 8/1986 | Maciel | D32/46 |
| D286,457 | S * | 10/1986 | Thomas | D32/49 |
| D293,266 | S * | 12/1987 | Stanich | D32/49 |
| D343,559 | S * | 1/1994 | Liberty | D8/45 |
| D389,624 | S * | 1/1998 | Drimmie et al. | D32/46 |
| D403,815 | S * | 1/1999 | Inerbickler | D32/46 |
| D457,793 | S * | 5/2002 | D'Astous | D8/14 |
| D461,287 | S * | 8/2002 | Hansen | D32/41 |
| D467,686 | S * | 12/2002 | Kohler | D32/49 |
| D507,728 | S * | 7/2005 | Graff et al. | D8/18 |

D537,589 S * 2/2007 Huddleston et al. D32/47
* cited by examiner

Primary Examiner — David G Muller

(74) *Attorney, Agent, or Firm* — Stuart M. Goldstein

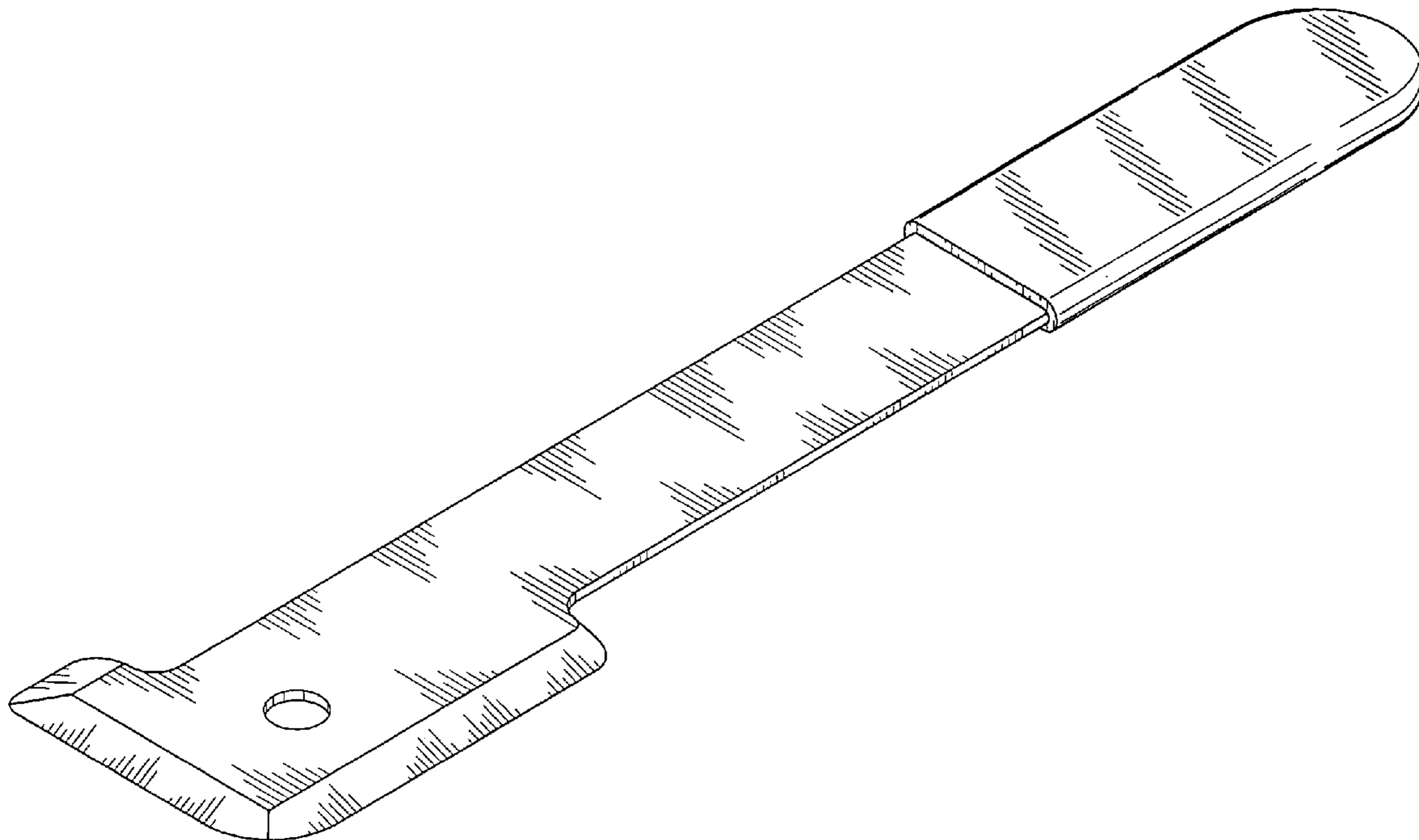
(57) **CLAIM**

The ornamental design for the lawn mower scraper tool, as shown and described.

DESCRIPTION

FIG. 1 is an isometric view of a first embodiment of the lawn mower scraper tool of the present invention. FIG. 2 is the front elevation view thereof; FIG. 3 is the rear elevation view thereof; FIG. 4 is a side elevation view thereof; FIG. 5 is an elevation view showing the other side thereof; FIG. 6 is the top plan view thereof; FIG. 7 is the bottom plan view thereof; FIG. 8 is an isometric view of a second embodiment of the lawn mower scraper tool of the present invention. FIG. 9 is the front elevation view thereof; FIG. 10 is the rear elevation view thereof; FIG. 11 is a side elevation view thereof; FIG. 12 is an elevation view showing the other side thereof; FIG. 13 is the top plan view thereof; and, FIG. 14 is the bottom plan view thereof.

1 Claim, 6 Drawing Sheets



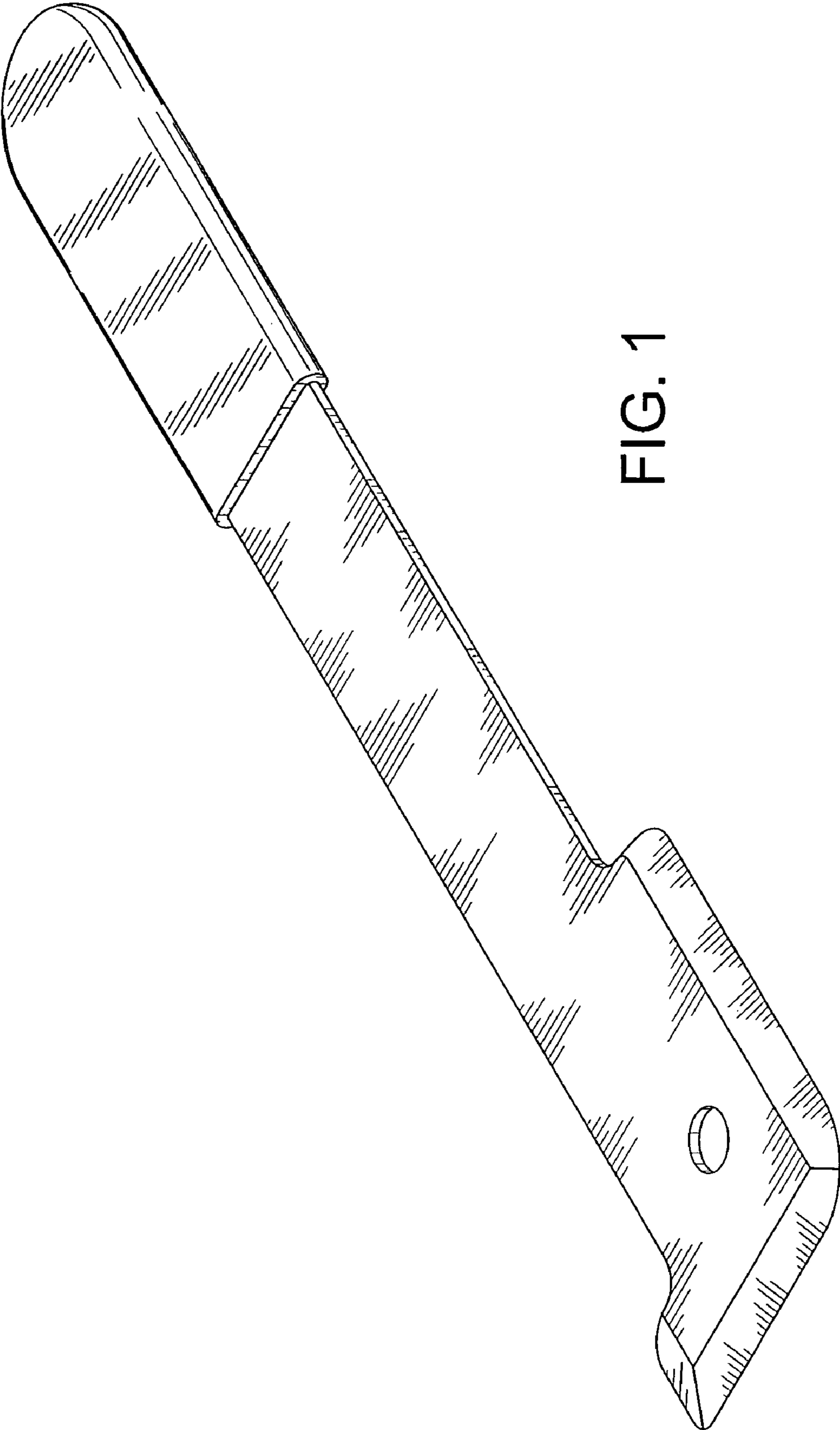


FIG. 1

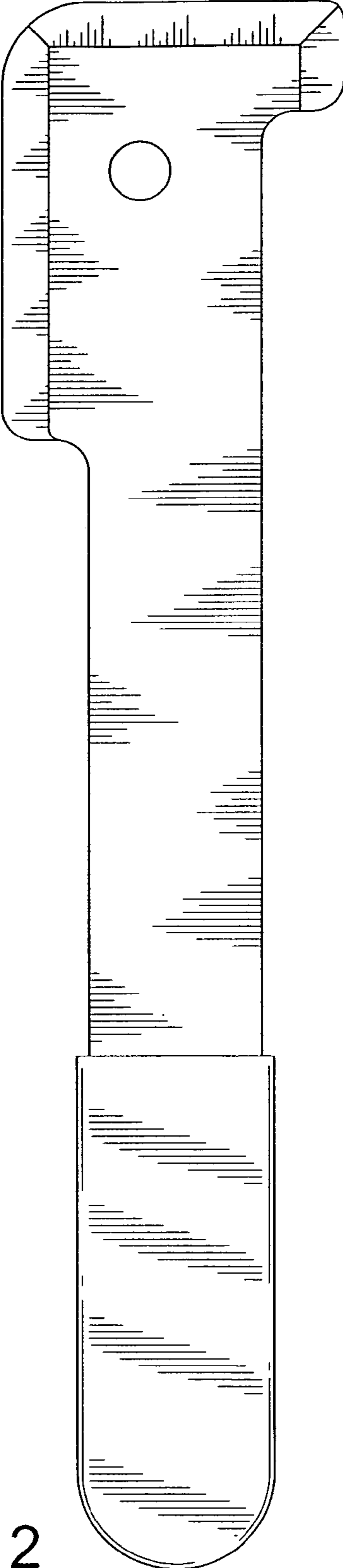


FIG. 2

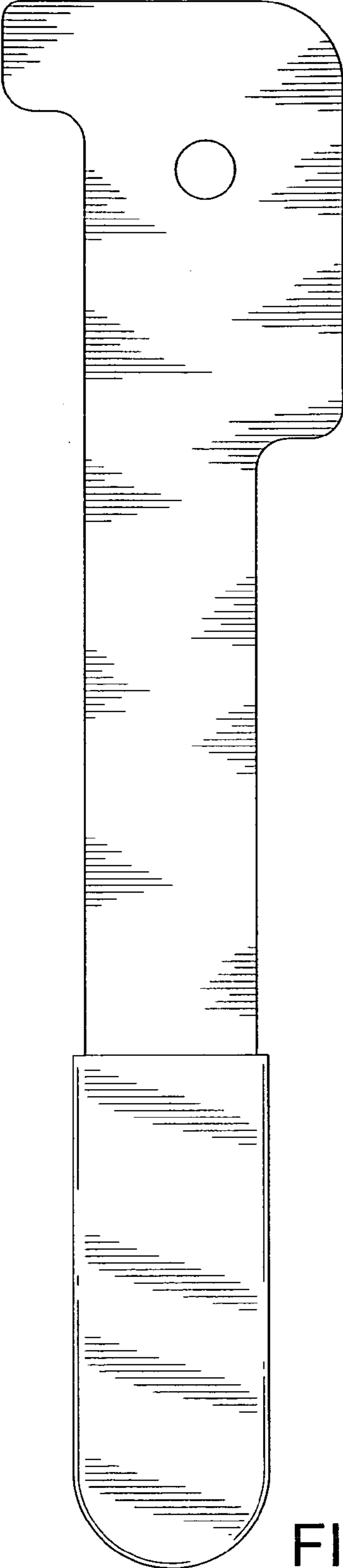


FIG. 3



FIG. 4

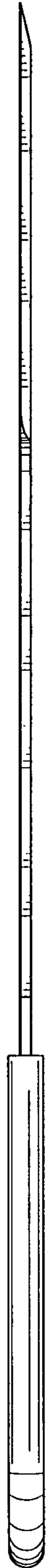


FIG. 5

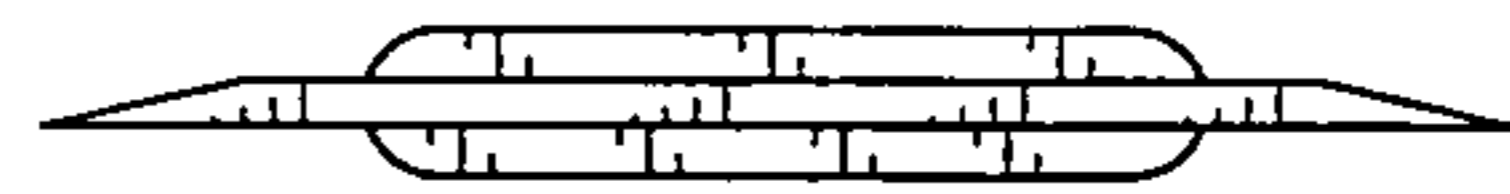


FIG. 6

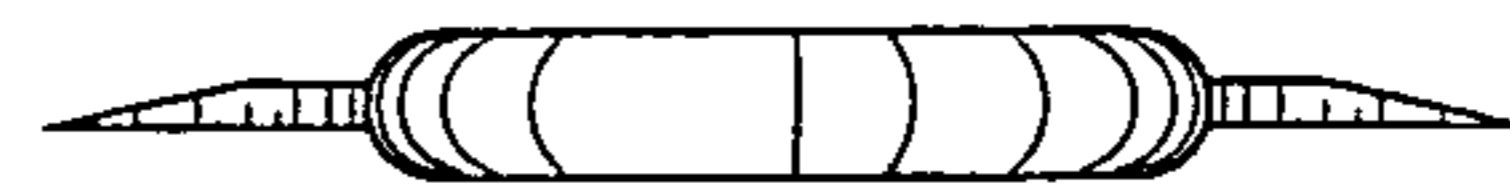


FIG. 7

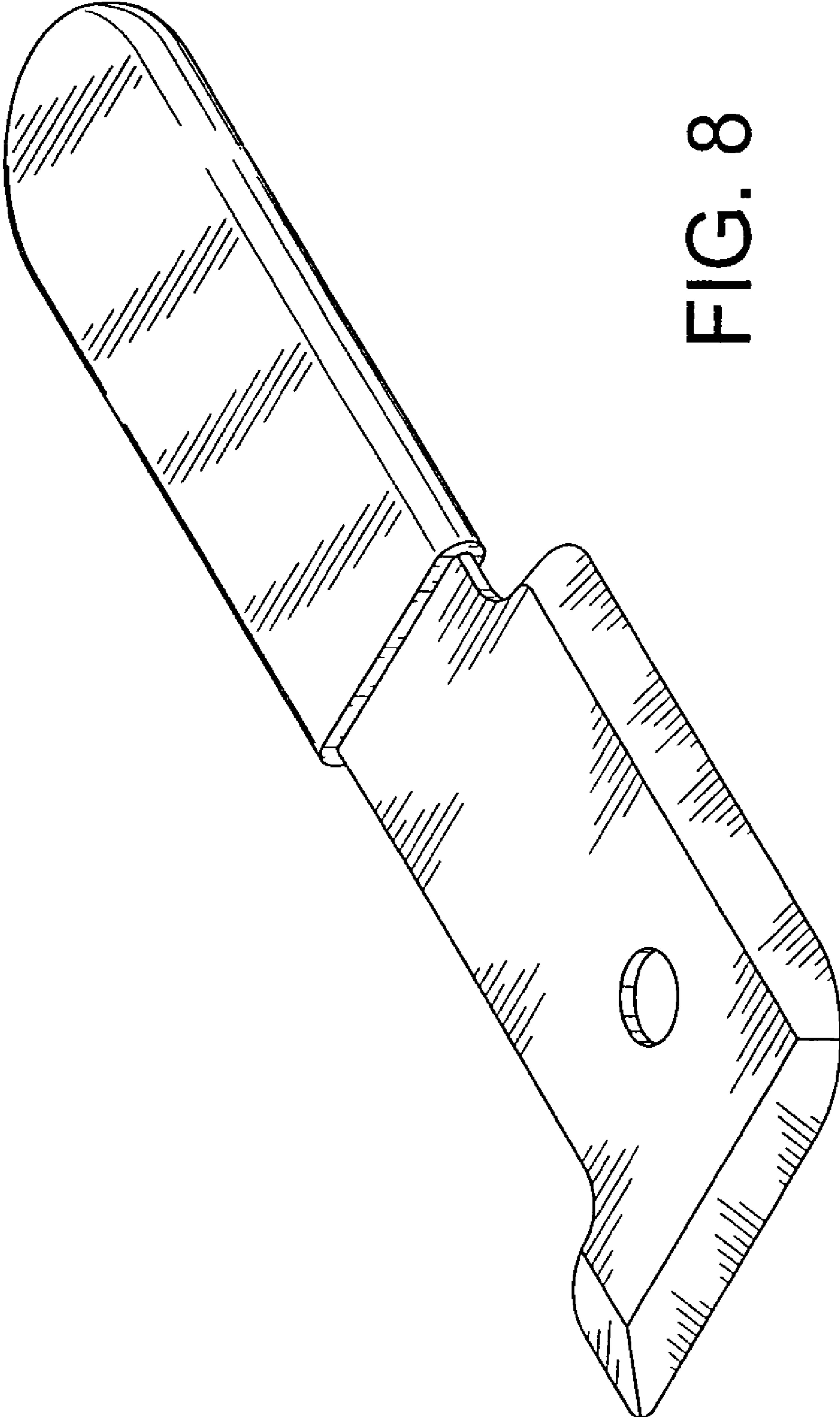


FIG. 8

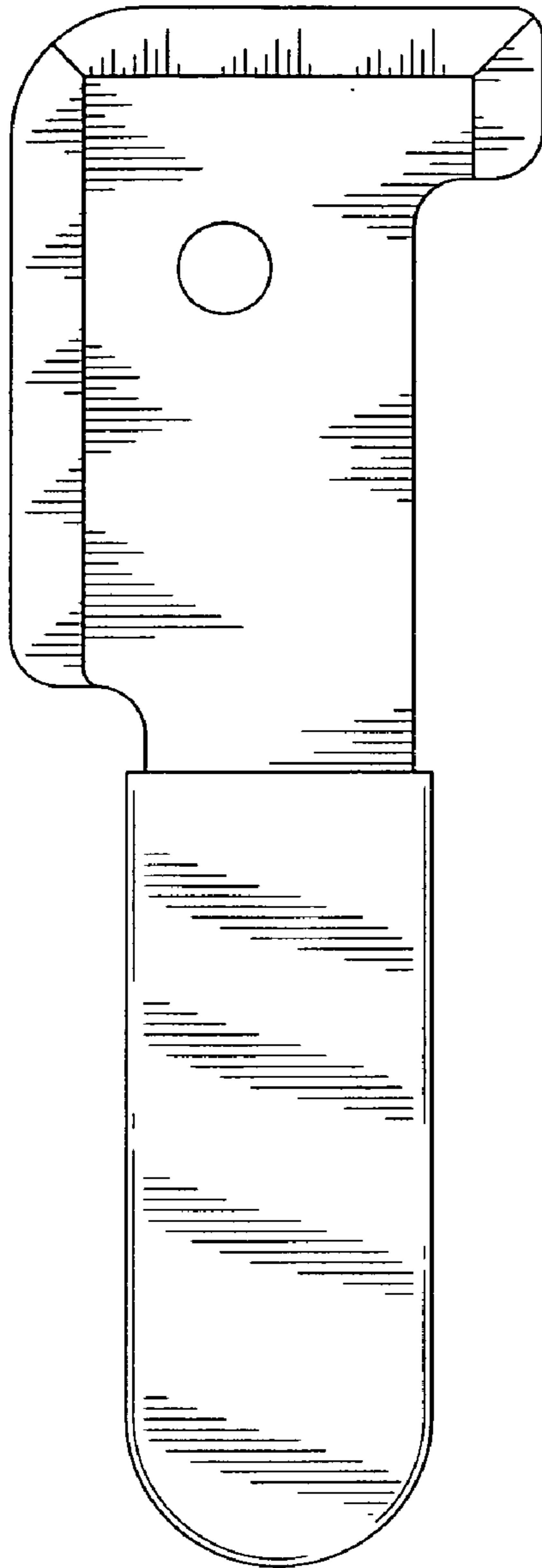


FIG. 9

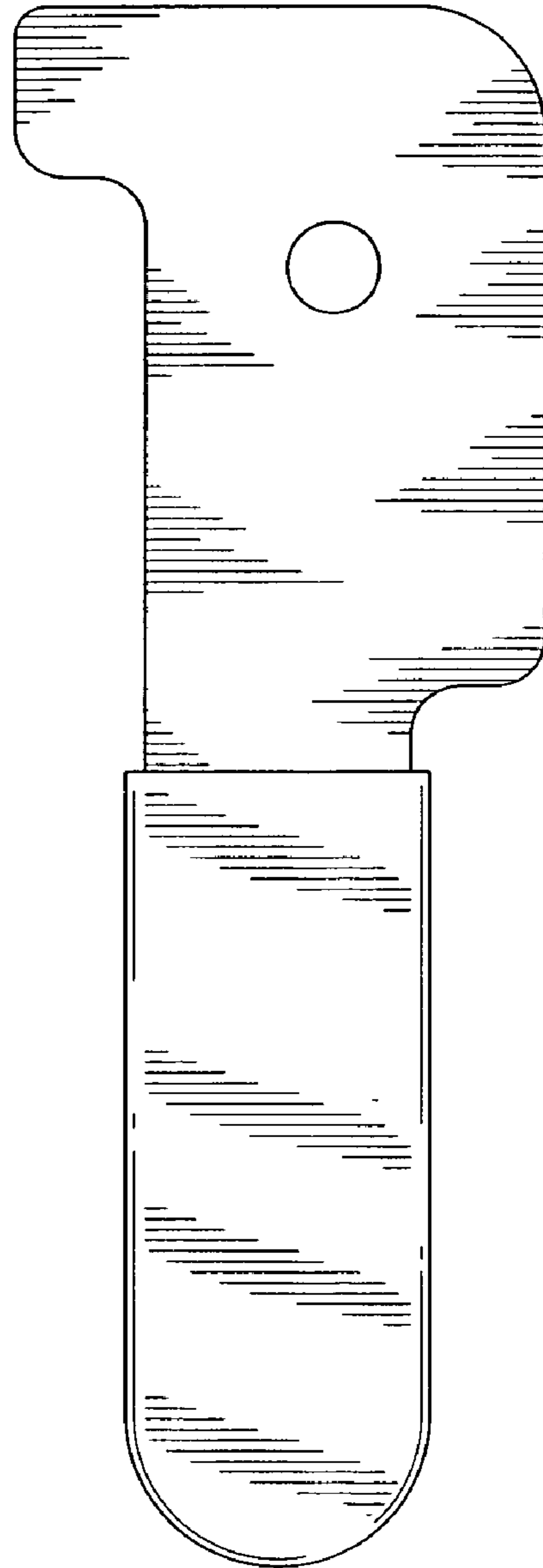


FIG. 10

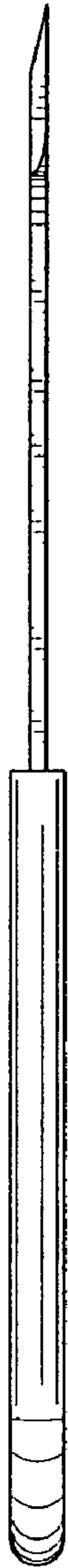


FIG. 11



FIG. 12

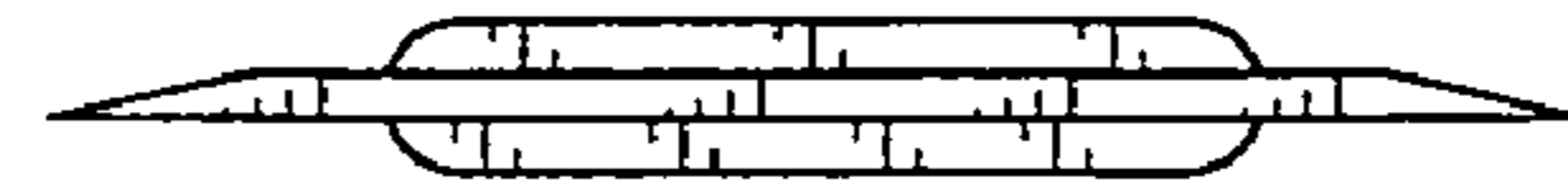


FIG. 13



FIG. 14