



US00D638181S

(12) **United States Design Patent**  
**Crevling, Jr. et al.**

(10) **Patent No.:** **US D638,181 S**

(45) **Date of Patent:** **\*\* May 17, 2011**

(54) **CLEANING TOOL**

(75) Inventors: **Robert Lent Crevling, Jr.**,  
Williamsport, PA (US); **Kevin Fry**,  
South Williamsport, PA (US); **John**  
**Griffin**, Phoenix, AZ (US)

(73) Assignee: **Shop Vac Corporation**, Williamsport,  
PA (US)

(\*\*) Term: **14 Years**

(21) Appl. No.: **29/365,805**

(22) Filed: **Jul. 15, 2010**

(51) **LOC (9) Cl.** ..... **15-05**

(52) **U.S. Cl.** ..... **D32/31**

(58) **Field of Classification Search** ..... D32/21,  
D32/23-24, 31; 15/327.1, 327.2, 327.6,  
15/327.7, 344, 353, 320-321, 301-302, 312.1,  
15/314-315; 55/DIG. 3, DIG. 8  
See application file for complete search history.

(56) **References Cited**

U.S. PATENT DOCUMENTS

D260,151 S \* 8/1981 Martinec ..... D32/31  
D360,718 S \* 7/1995 Rakocy et al. .... D32/31

D426,360 S \* 6/2000 Griffin et al. .... D32/31  
D426,687 S \* 6/2000 Griffin et al. .... D32/31  
D429,857 S \* 8/2000 Griffin  
D434,537 S \* 11/2000 Griffin et al. .... D32/31  
D444,276 S \* 6/2001 Griffin  
D470,281 S \* 2/2003 Griffin et al. .... D32/23  
D479,372 S \* 9/2003 Griffin ..... D32/23  
D568,013 S \* 4/2008 Crevling et al. .... D32/23  
D569,066 S \* 5/2008 Crevling et al. .... D32/31  
D573,320 S \* 7/2008 Crevling et al. .... D32/23  
D588,761 S \* 3/2009 Griffin

\* cited by examiner

*Primary Examiner* — Ruth McInroy

(74) *Attorney, Agent, or Firm* — Marshall, Gerstein & Borun  
LLP; Richard M. LaBerge

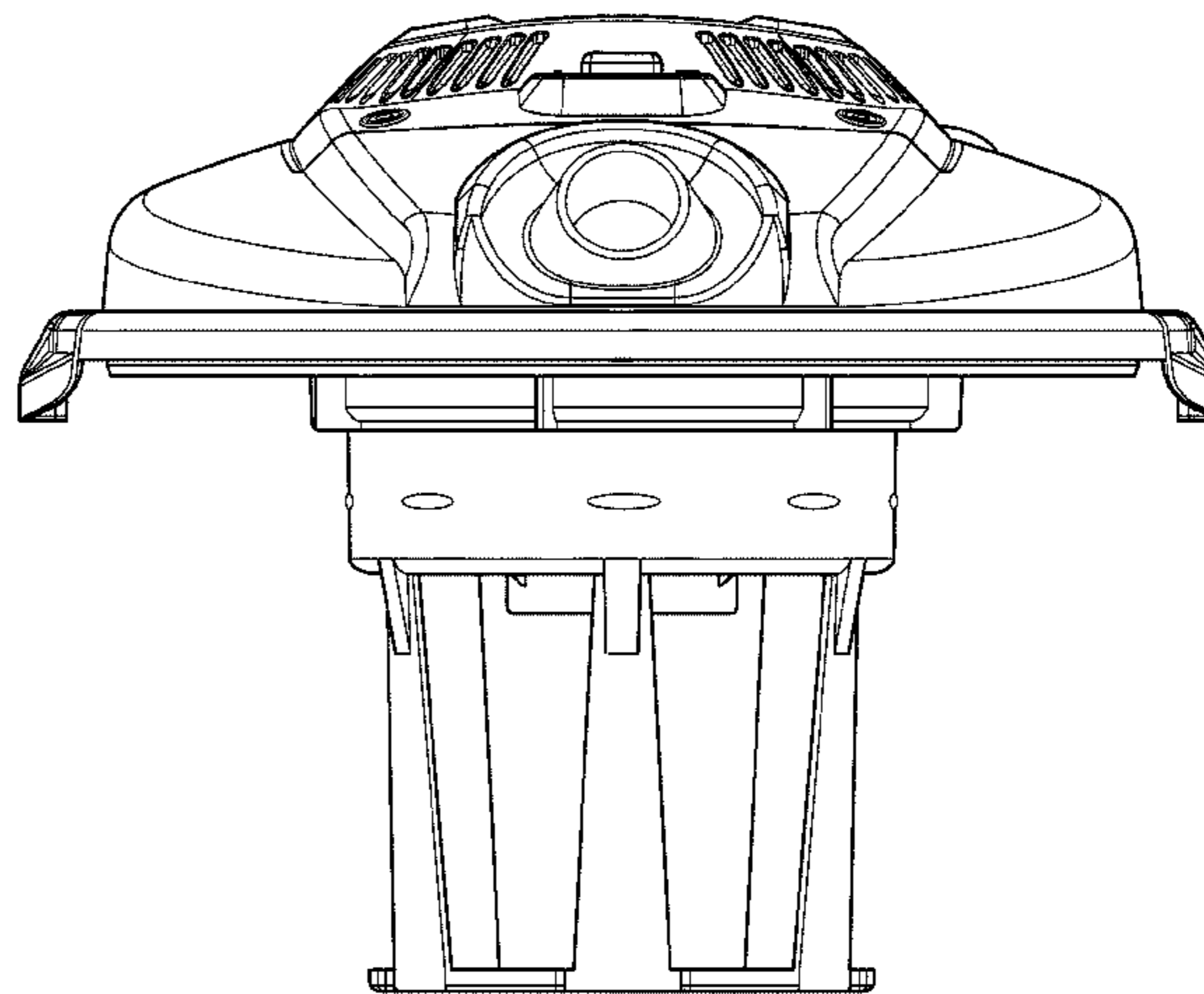
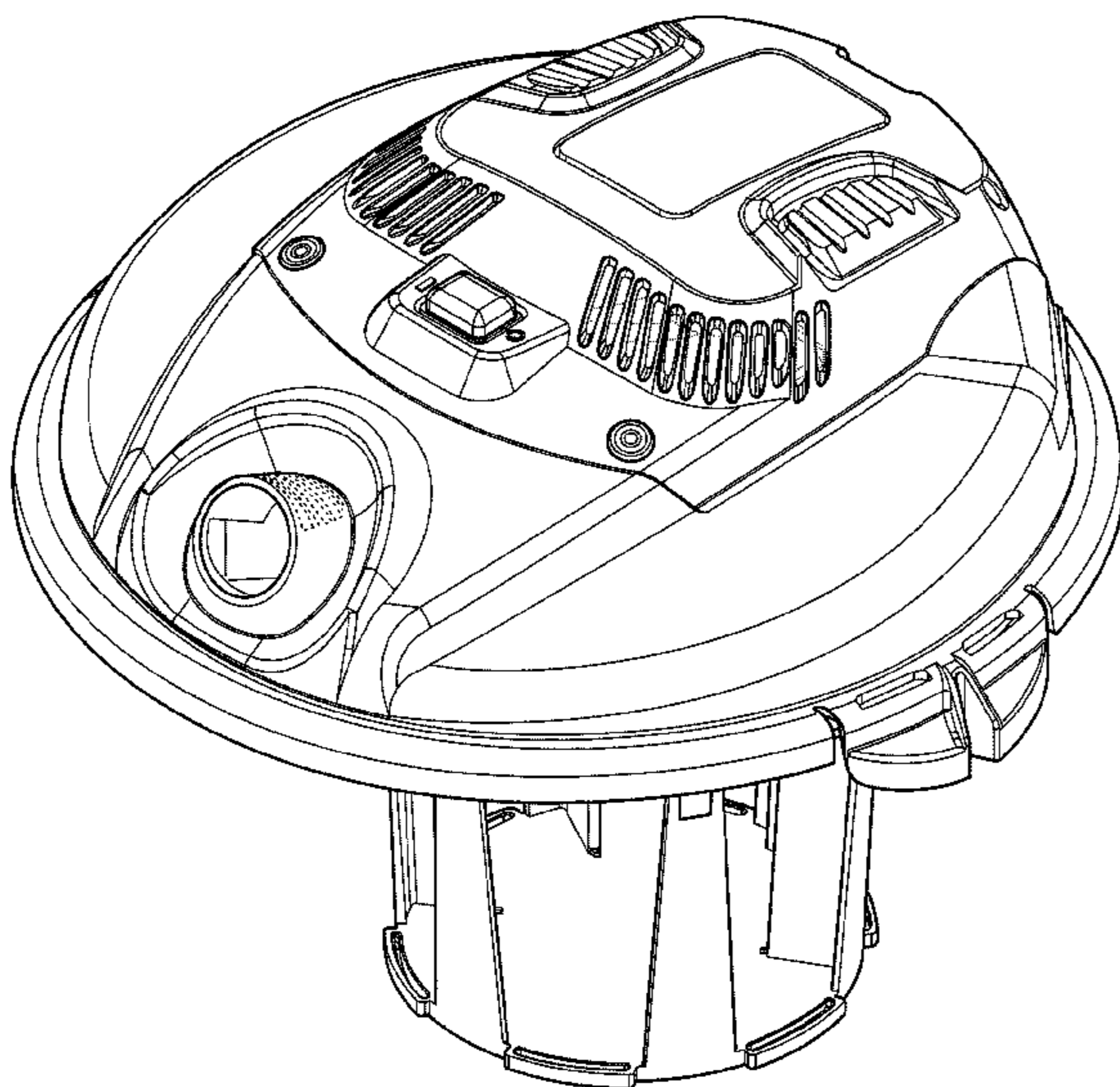
(57) **CLAIM**

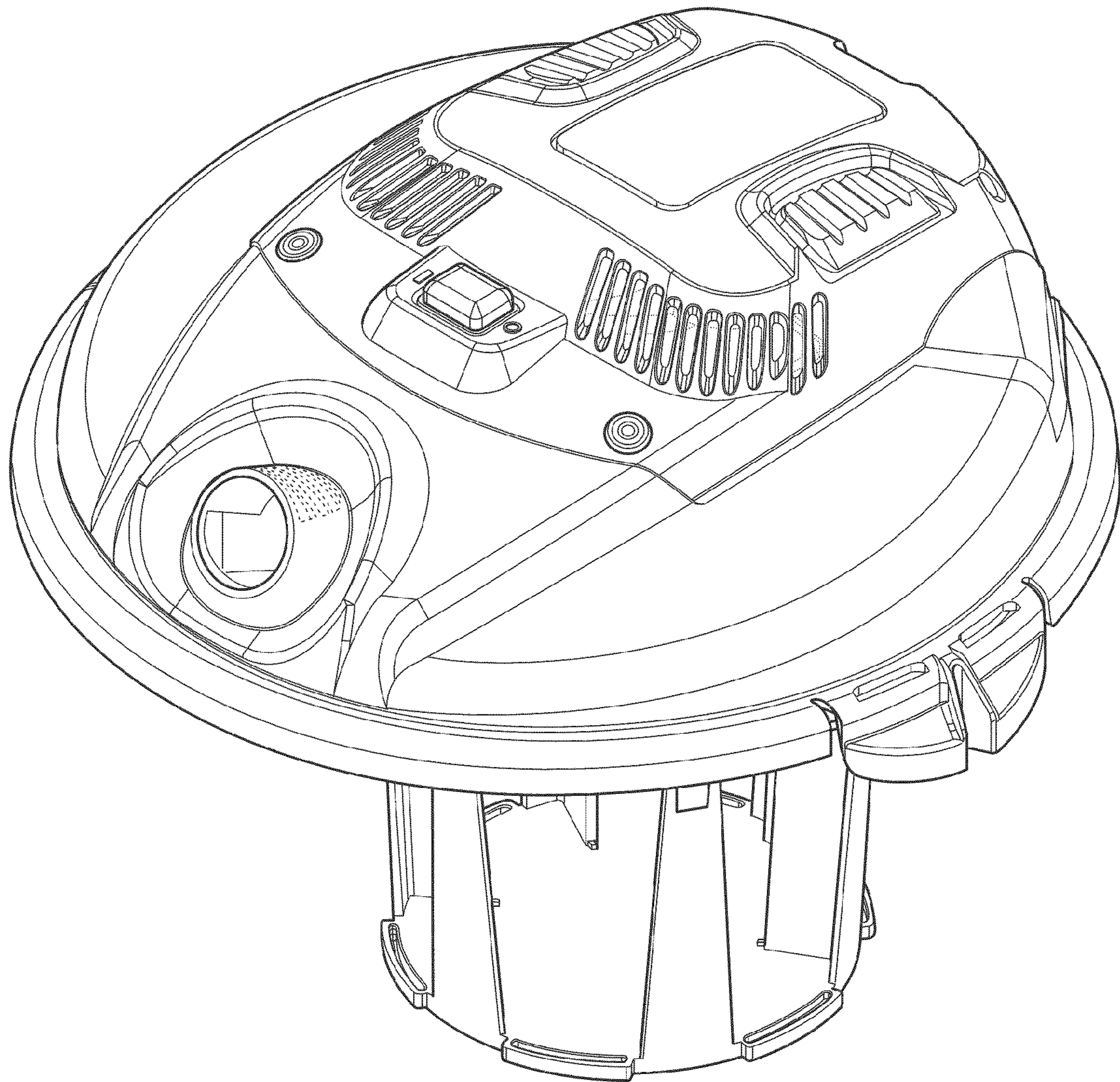
The ornamental design for a cleaning tool, as shown.

**DESCRIPTION**

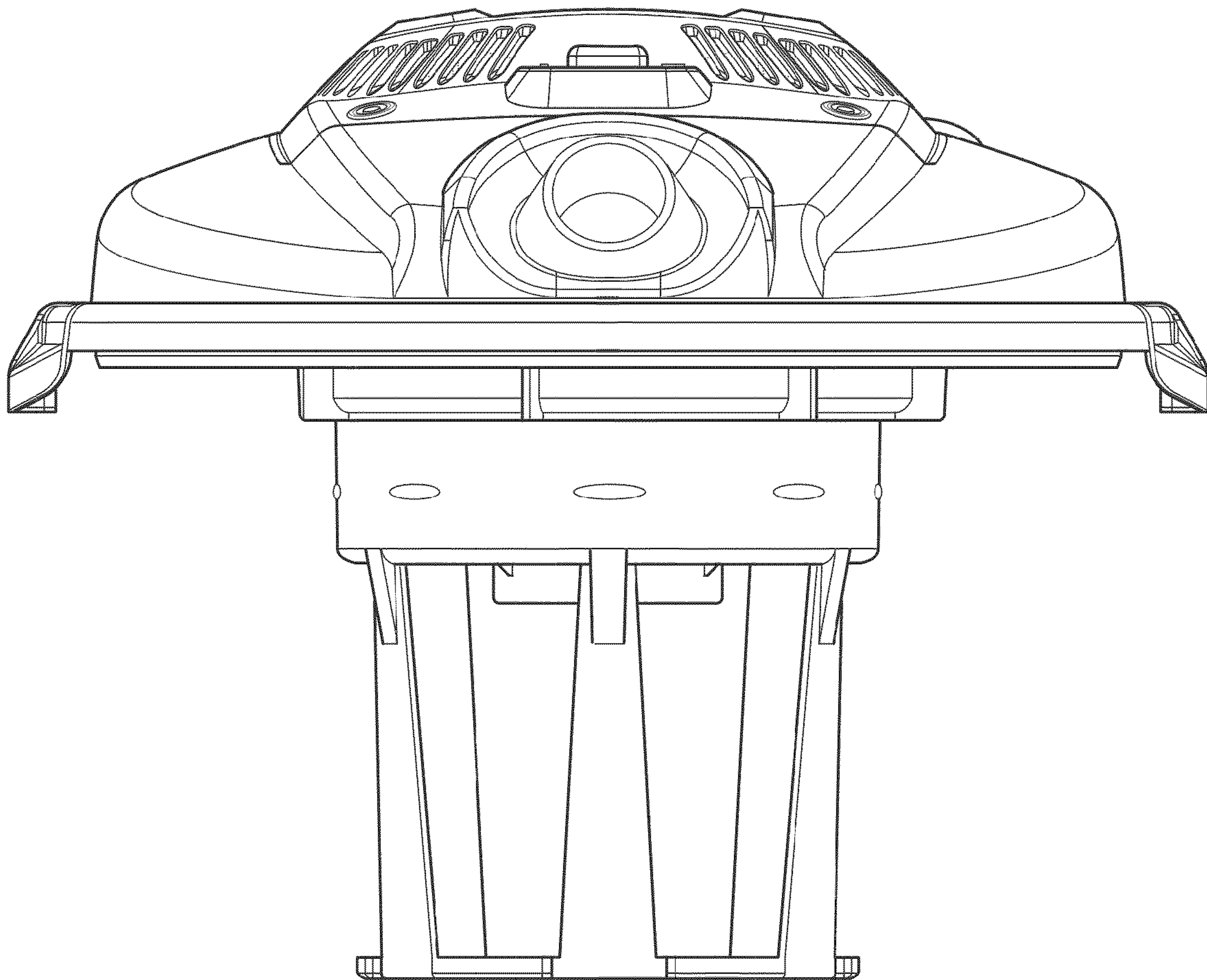
FIG. 1 is a top, front, and left side perspective view of a cleaning tool showing the new design. FIG. 2 is a front view of the cleaning tool. FIG. 3 is a left side view of the cleaning tool. FIG. 4 is a right side view of the cleaning tool; and, FIG. 5 is a top view of the cleaning tool. The details shown in broken lines form no part of the claimed design.

**1 Claim, 5 Drawing Sheets**

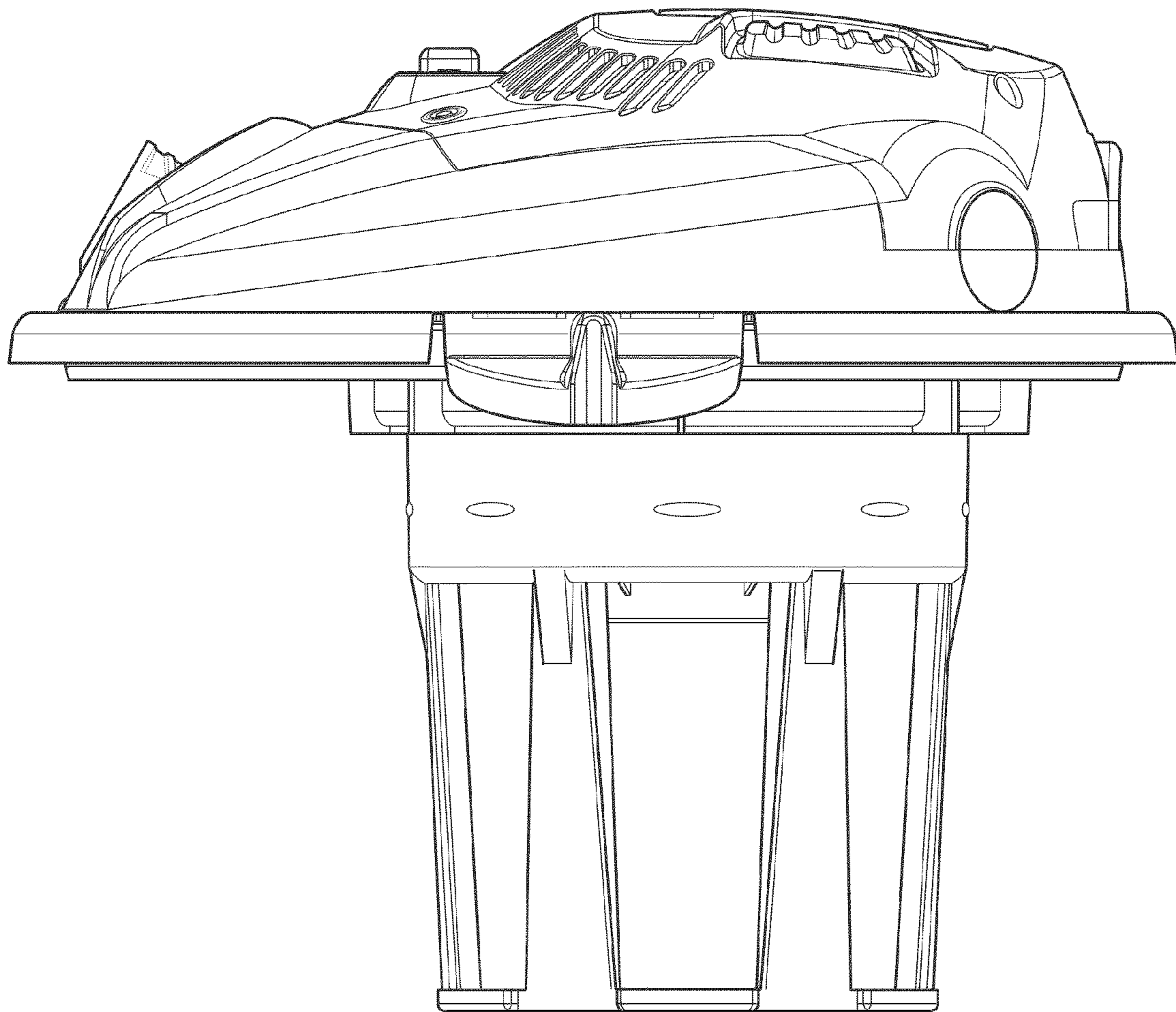




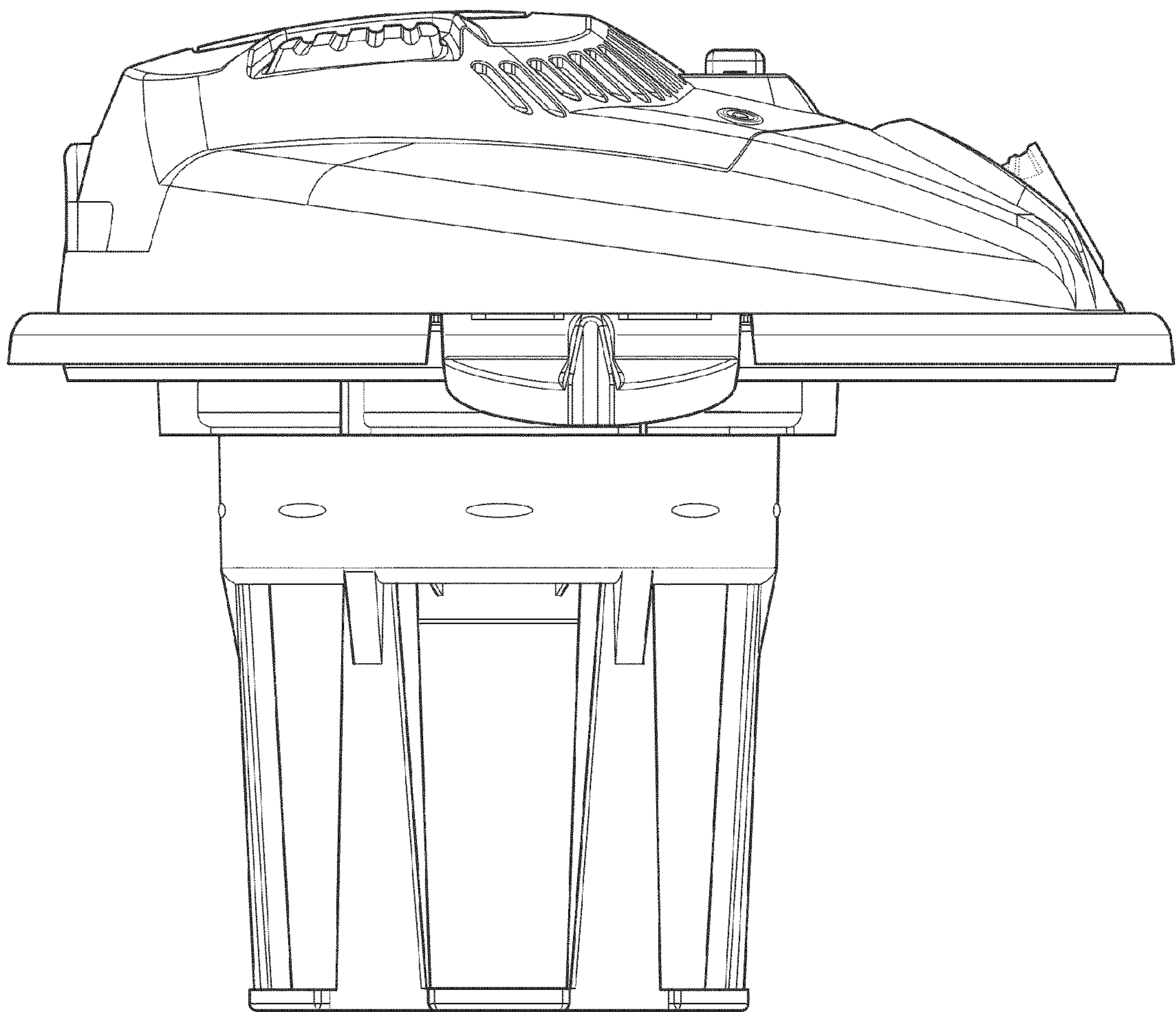
**FIG. 1**



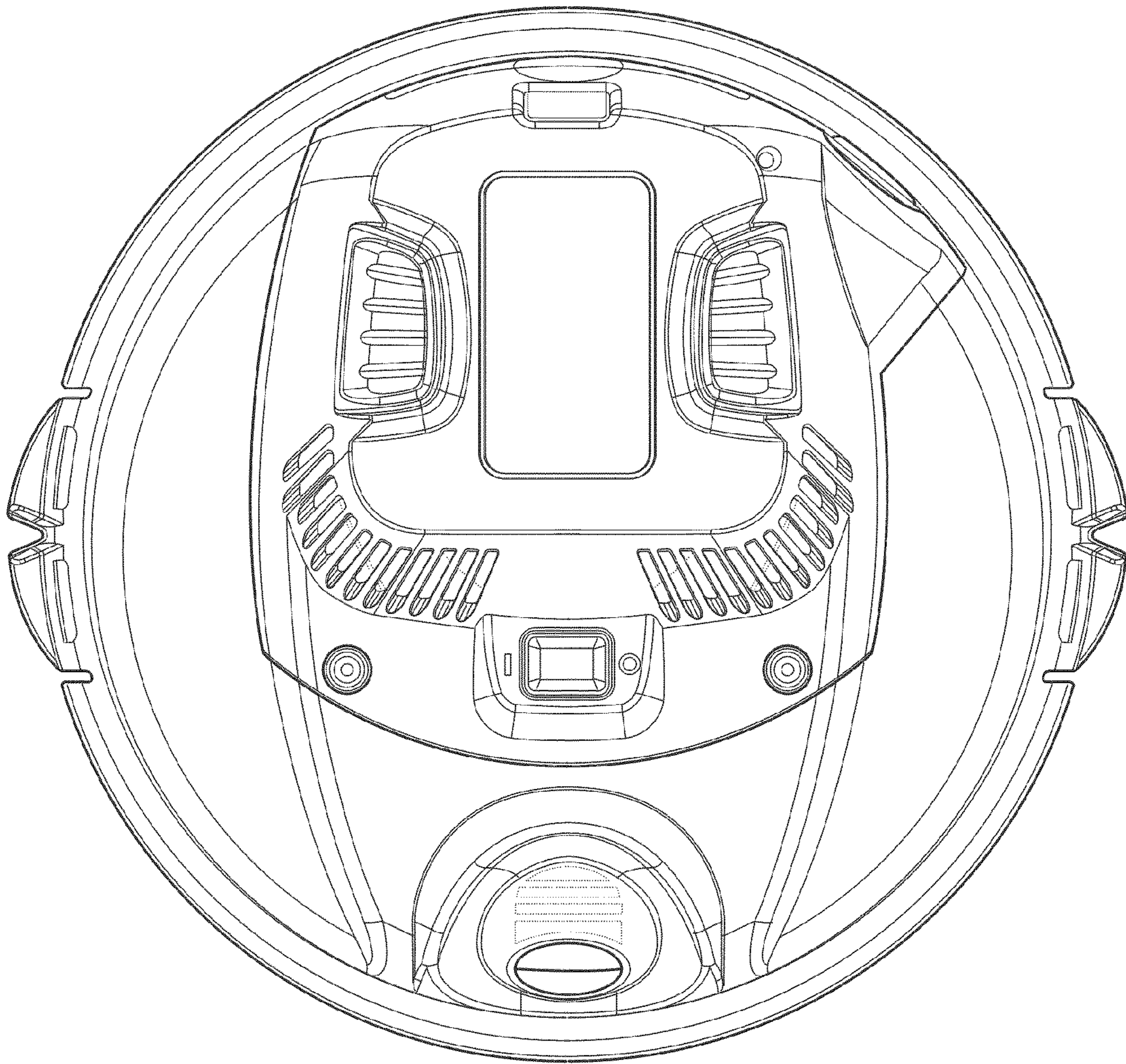
**FIG. 2**



**FIG. 3**



**FIG. 4**



**FIG. 5**