



US00D638180S

(12) **United States Design Patent**
Griffin et al.

(10) **Patent No.:** **US D638,180 S**
(45) **Date of Patent:** **** May 17, 2011**

(54) **VACUUM CLEANER**

(75) Inventors: **John Griffin**, Phoenix, AZ (US); **Robert L. Crevling**, Cogan Station, PA (US); **Kevin Fry**, S. Williamsport, PA (US)

(73) Assignee: **Shop Vac Corporation**, Williamsport, PA (US)

(**) Term: **14 Years**

(21) Appl. No.: **29/335,673**

(22) Filed: **Apr. 20, 2009**

(51) **LOC (9) Cl.** **15-05**

(52) **U.S. Cl.** **D32/31**

(58) **Field of Classification Search** D32/21,
D32/23, 31; 15/327.1, 327.2, 327.4, 327.5,
15/327.7, 320-321, 323, 301, 312.1, 314,
15/353, 412, 347; 220/23.83, 23.6
See application file for complete search history.

(56) **References Cited**

U.S. PATENT DOCUMENTS

D446,892 S * 8/2001 Griffin D32/23
(Continued)

OTHER PUBLICATIONS

U.S. Appl. No. 29/335,660, filed Apr. 20, 1009, Griffin et al.

Primary Examiner — Ruth McInroy

(74) *Attorney, Agent, or Firm* — Marshall, Gerstein & Borun LLP; Robert M. Gerstein; Richard M. LaBarge

(57) **CLAIM**

The ornamental design for a vacuum cleaner, as shown and described.

DESCRIPTION

FIG. 1 is a top and front perspective view of a vacuum cleaner that has the claimed design.

FIG. 2 is a top and right side perspective view of the vacuum cleaner.

FIG. 3 is a top and left side perspective view of the vacuum cleaner.

FIG. 4 is a top and rear perspective view of the vacuum cleaner.

FIG. 5 is a front, top, and right side perspective view of the head of the vacuum cleaner, removed from the tank.

FIG. 6 is a front, top, and left side perspective view of the head of the vacuum cleaner, removed from the tank.

FIG. 7 is a rear, top, and left side perspective view of the head of the vacuum cleaner, removed from the tank.

FIG. 8 is a rear, top, and right side perspective view of the head of the vacuum cleaner, removed from the tank.

FIG. 9 is a front perspective view of the head of the vacuum cleaner.

FIG. 10 is a right side front perspective view of the head of the vacuum cleaner.

FIG. 11 is a left side perspective view of the head of the vacuum cleaner.

FIG. 12 is a rear perspective view of the head of the vacuum cleaner.

FIG. 13 is a top and front perspective view of a vacuum cleaner that has a second embodiment of the claimed design.

FIG. 14 is a top and right side perspective view of the vacuum cleaner.

FIG. 15 is a top and left side perspective view of the vacuum cleaner.

FIG. 16 is a top and rear perspective view of the vacuum cleaner.

FIG. 17 is a front, top, and right side perspective view of the head of the vacuum cleaner, removed from the tank.

FIG. 18 is a front, top, and left side perspective view of the head of the vacuum cleaner, removed from the tank.

FIG. 19 is a rear, top, and left side perspective view of the head of the vacuum cleaner, removed from the tank.

FIG. 20 is a rear, top, and right side perspective view of the head of the vacuum cleaner, removed from the tank.

FIG. 21 is a front perspective view of the head of the vacuum cleaner.

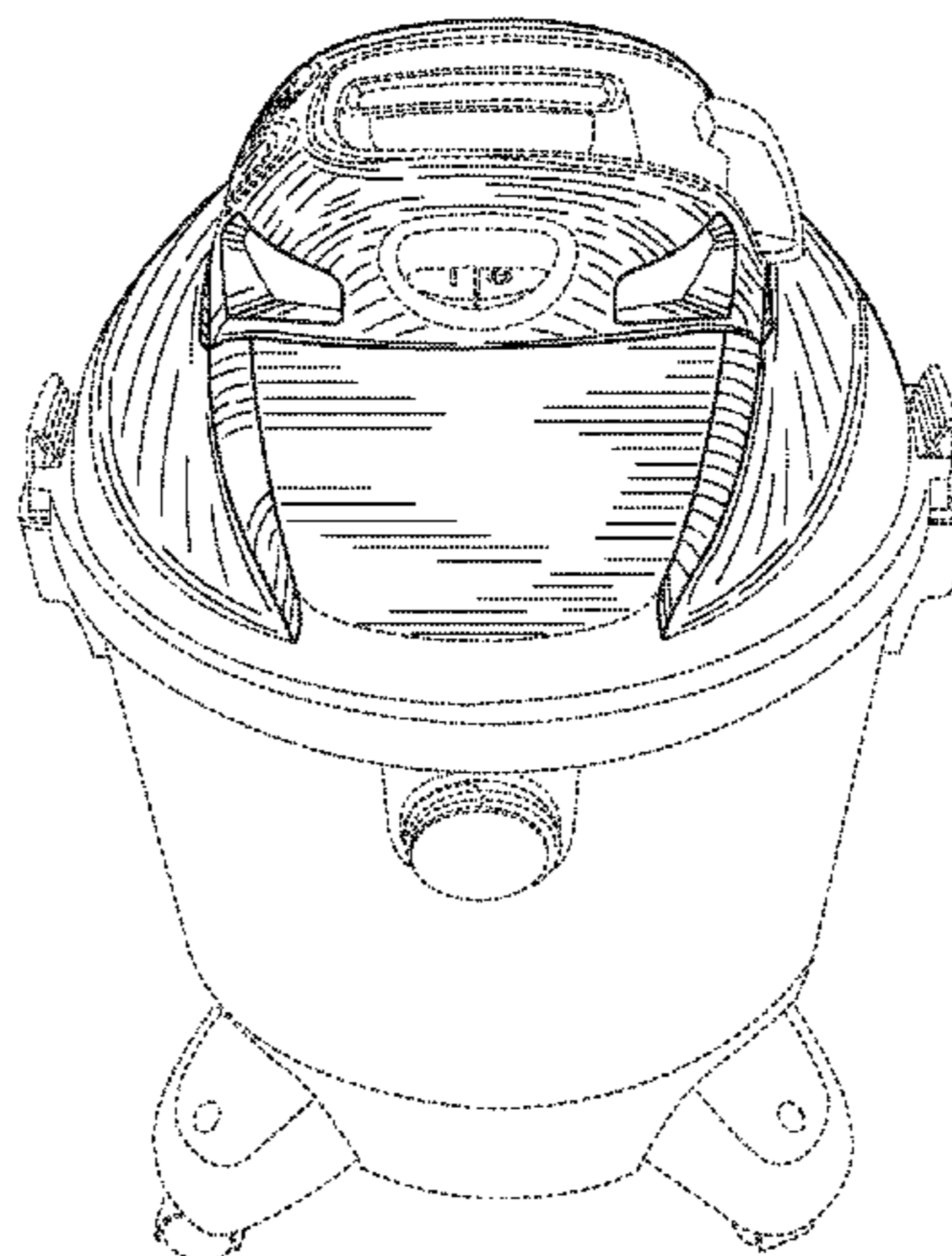
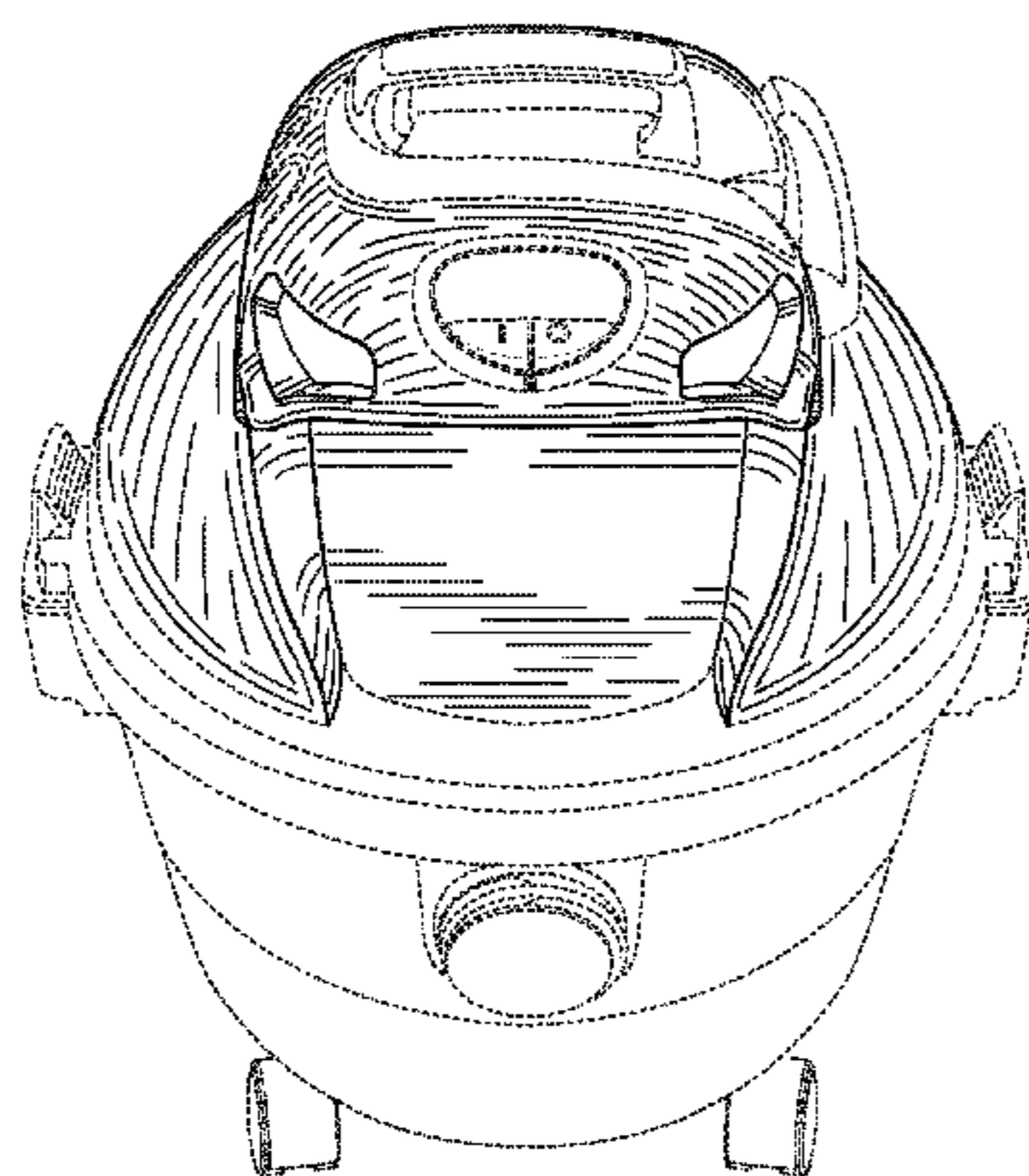
FIG. 22 is a right side front perspective view of the head of the vacuum cleaner.

FIG. 23 is a left side perspective view of the head of the vacuum cleaner; and,

FIG. 24 is a rear perspective view of the head of the vacuum cleaner.

The broken lines immediately adjacent the shaded areas represent the bounds of the claimed design while all other broken lines are directed to environment and are for illustrative purposes only; the broken lines form no part of the claimed design.

1 Claim, 24 Drawing Sheets



US D638,180 S

Page 2

U.S. PATENT DOCUMENTS

D470,281 S *	2/2003	Griffin et al.	D32/23	D588,316 S	3/2009	Griffin	
D479,371 S *	9/2003	Griffin et al.	D32/23	D588,761 S *	3/2009	Griffin	D32/31
D479,372 S *	9/2003	Griffin	D32/23	D591,467 S *	4/2009	Griffin et al.	D32/23
D527,503 S	8/2006	Griffin et al.		D599,968 S *	9/2009	Crevling et al.	D32/23
D527,504 S	8/2006	Griffin et al.		D623,812 S	9/2010	Seasholtz et al.	
D528,255 S *	9/2006	Griffin et al.	D32/21	D624,259 S	9/2010	Gottschall et al.	
D587,414 S *	2/2009	Griffin et al.	D32/31	2006/0191099 A1 *	8/2006	Fry et al.	15/353

* cited by examiner

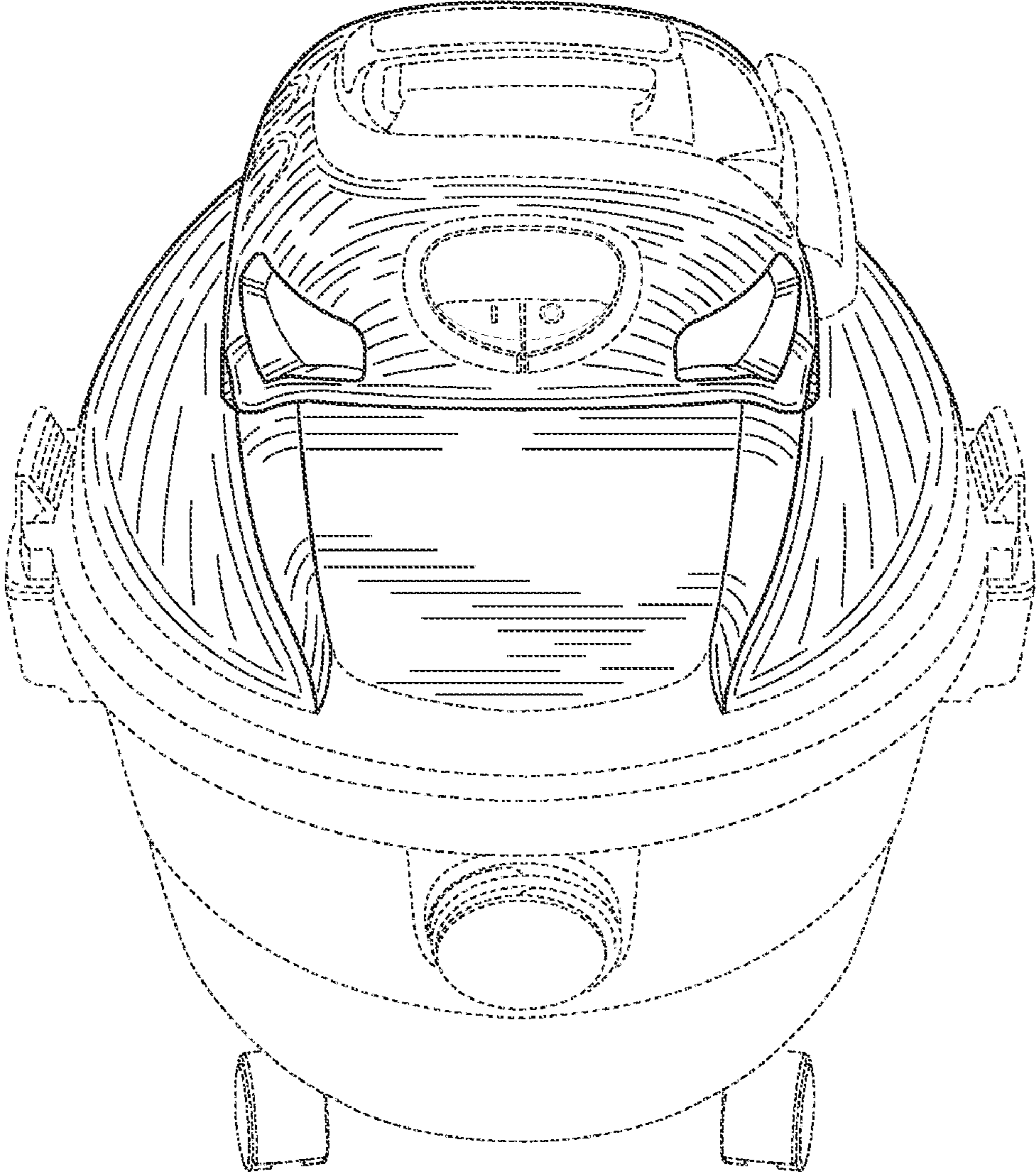


FIG. 1

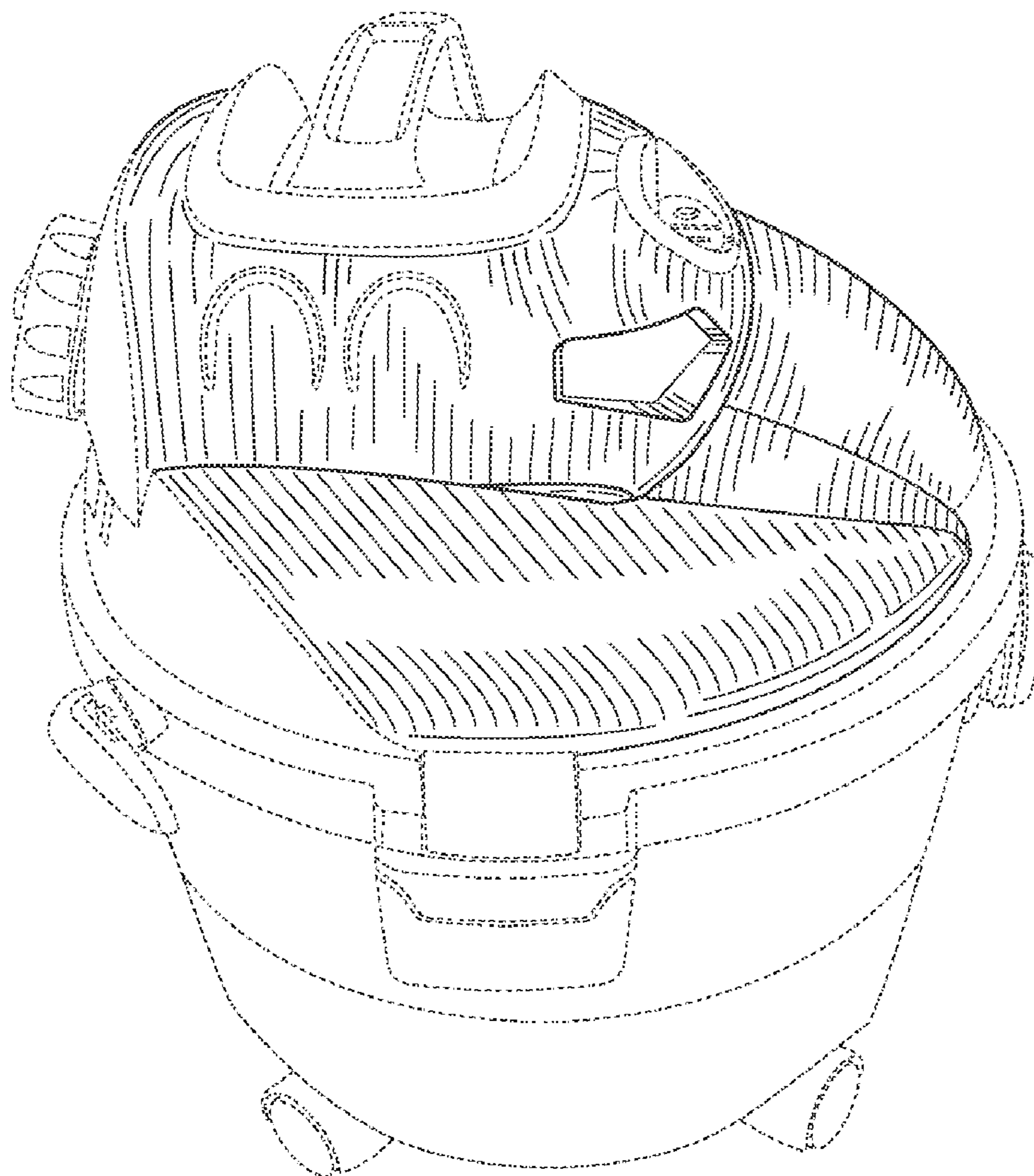


FIG. 2

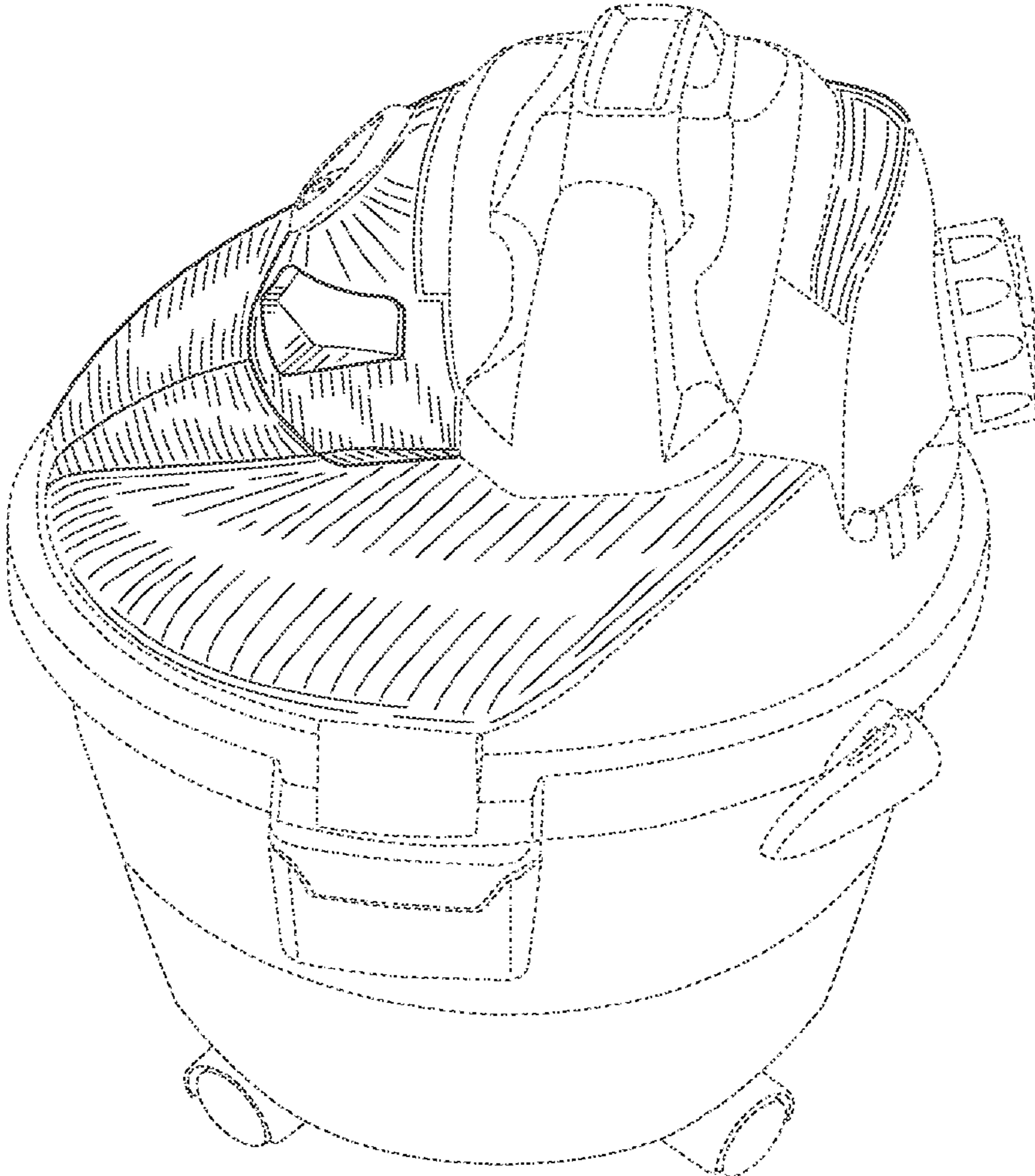


FIG. 3

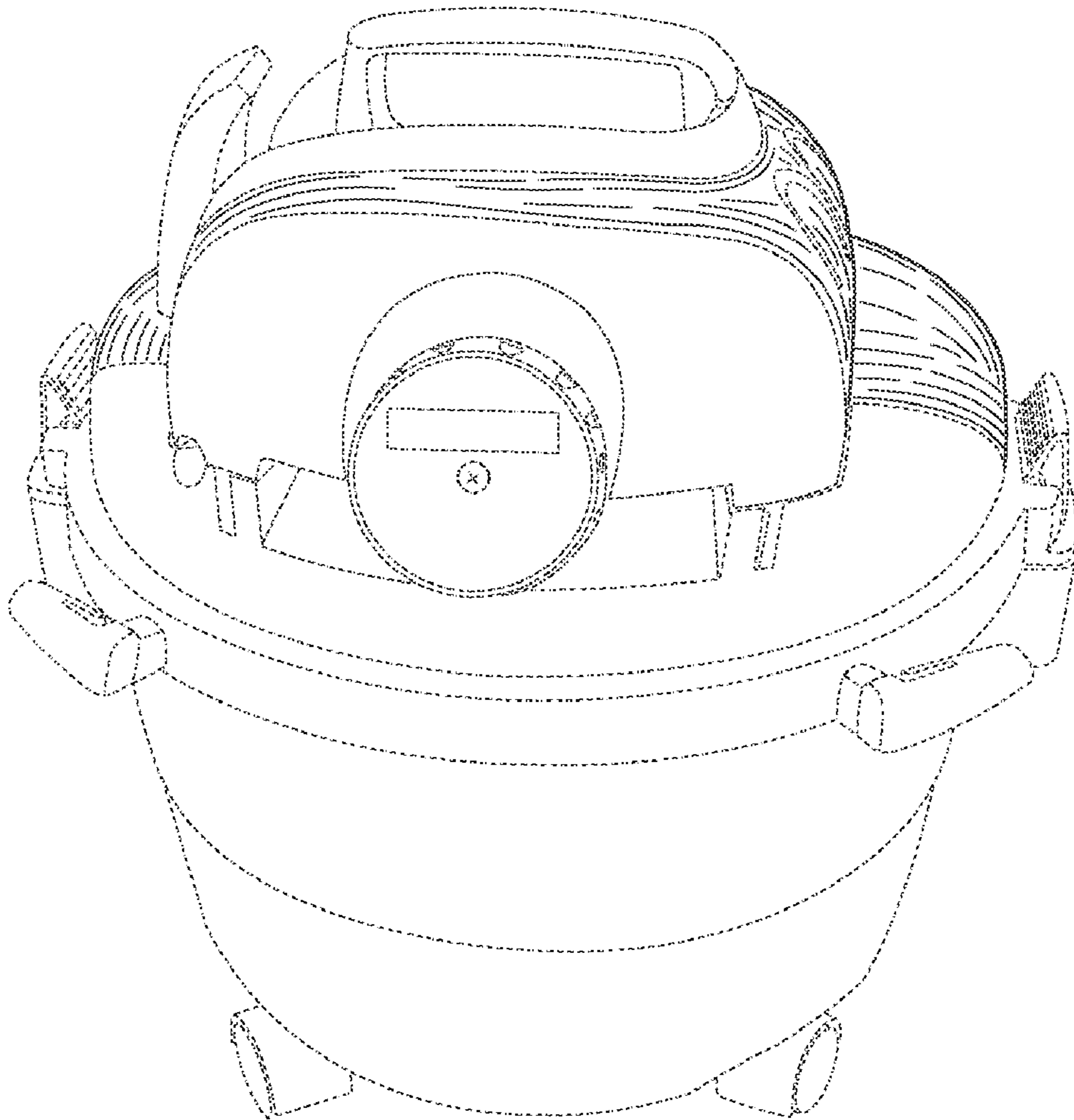


FIG. 4

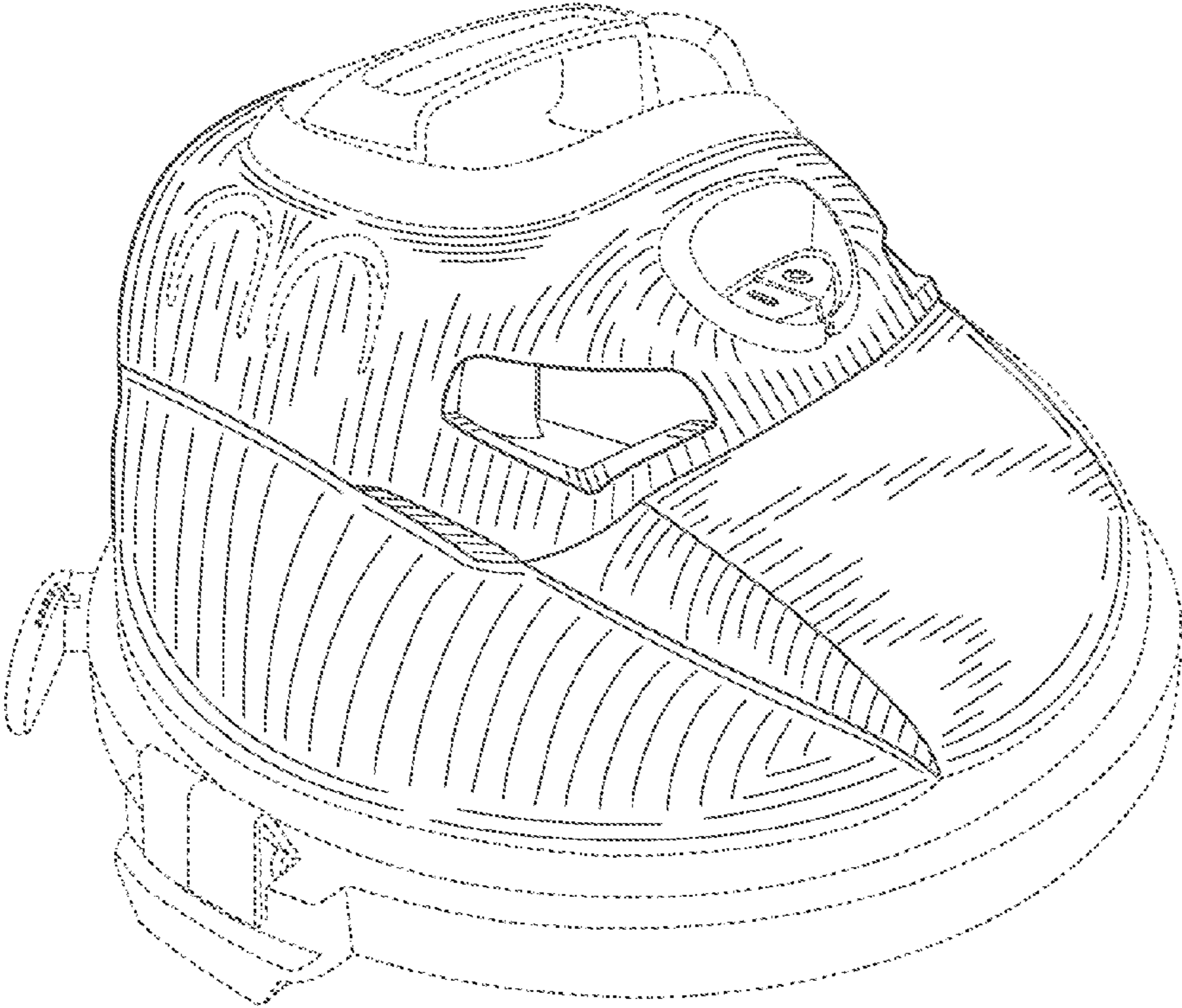


FIG. 5

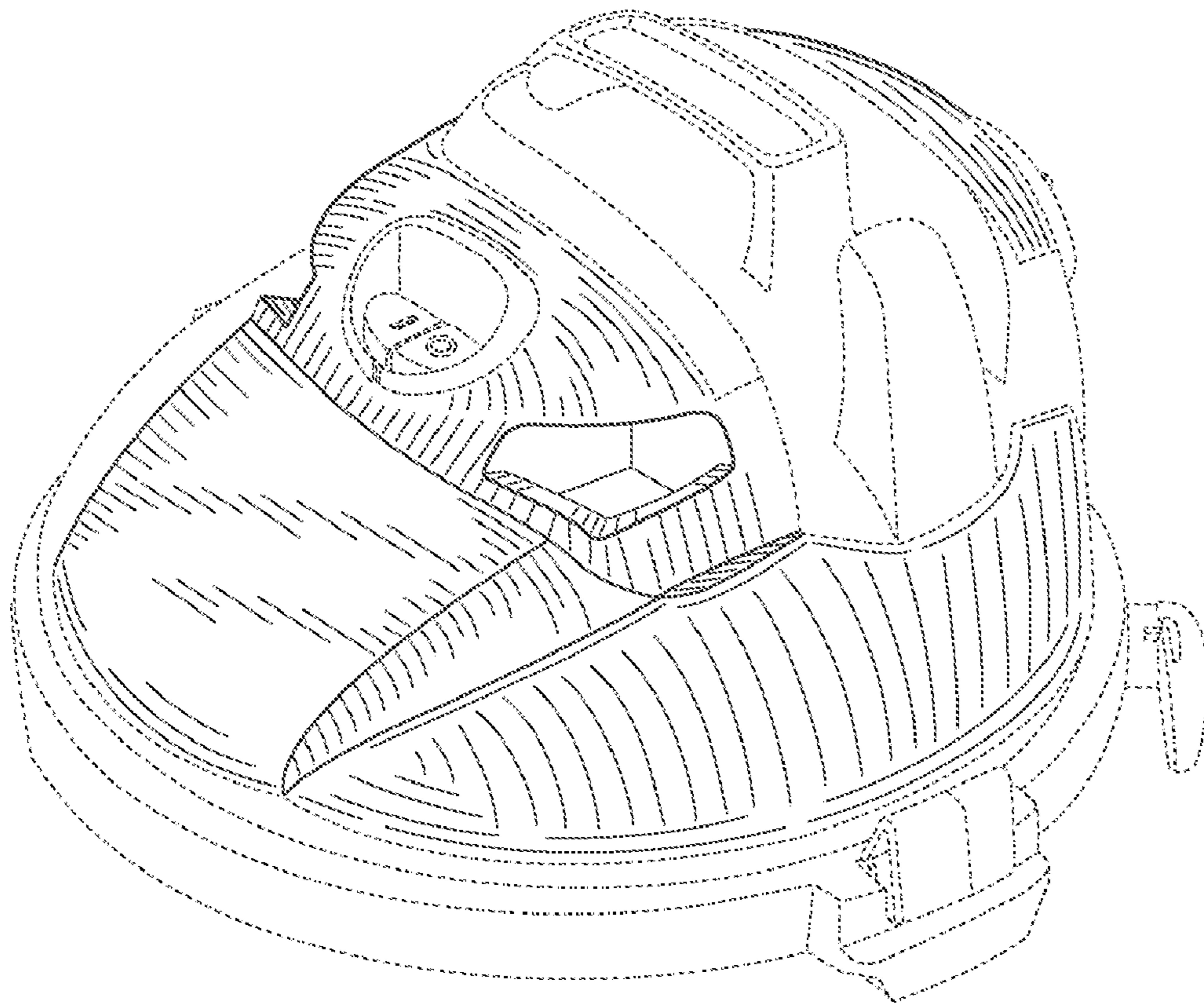


FIG. 6

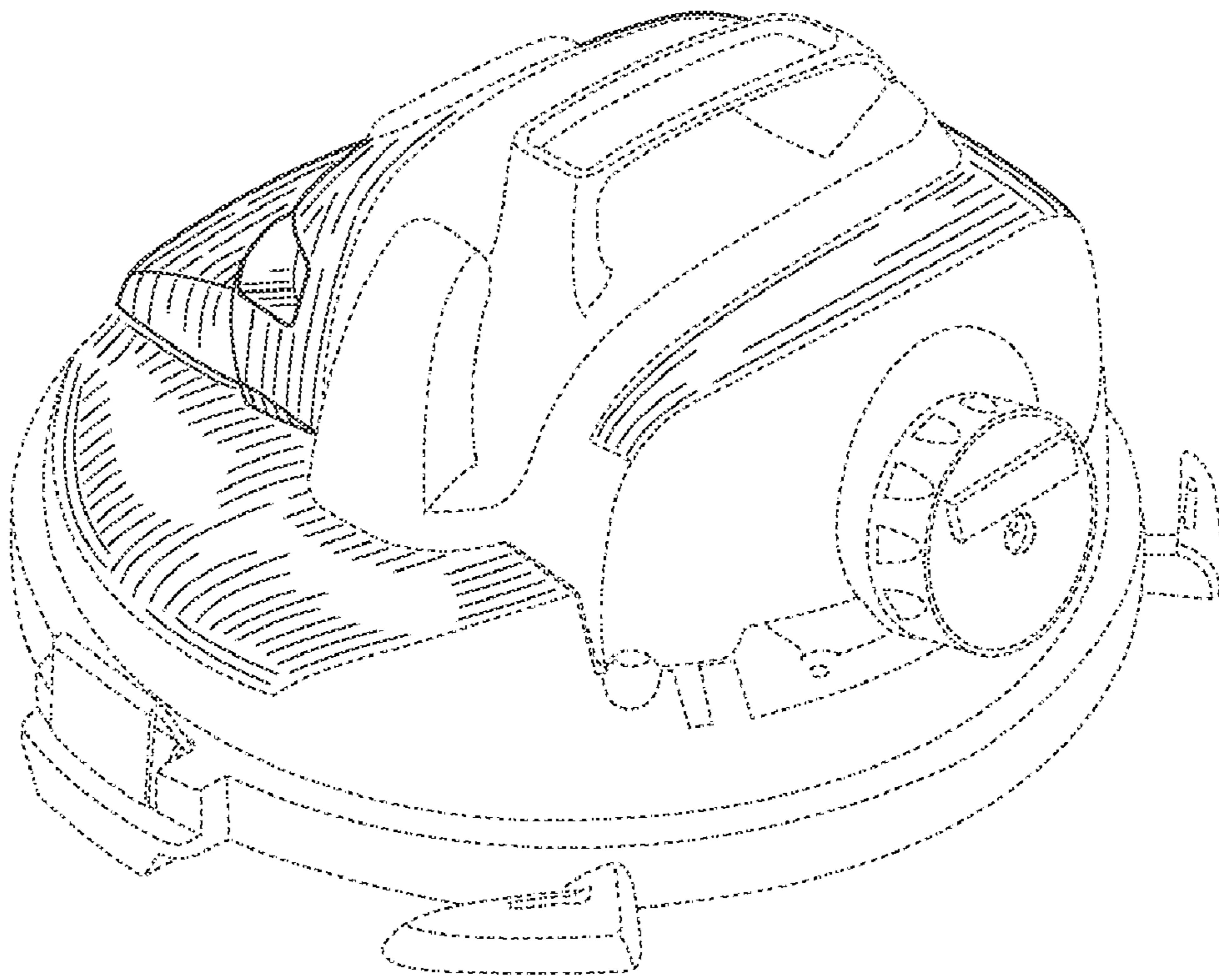


FIG. 7

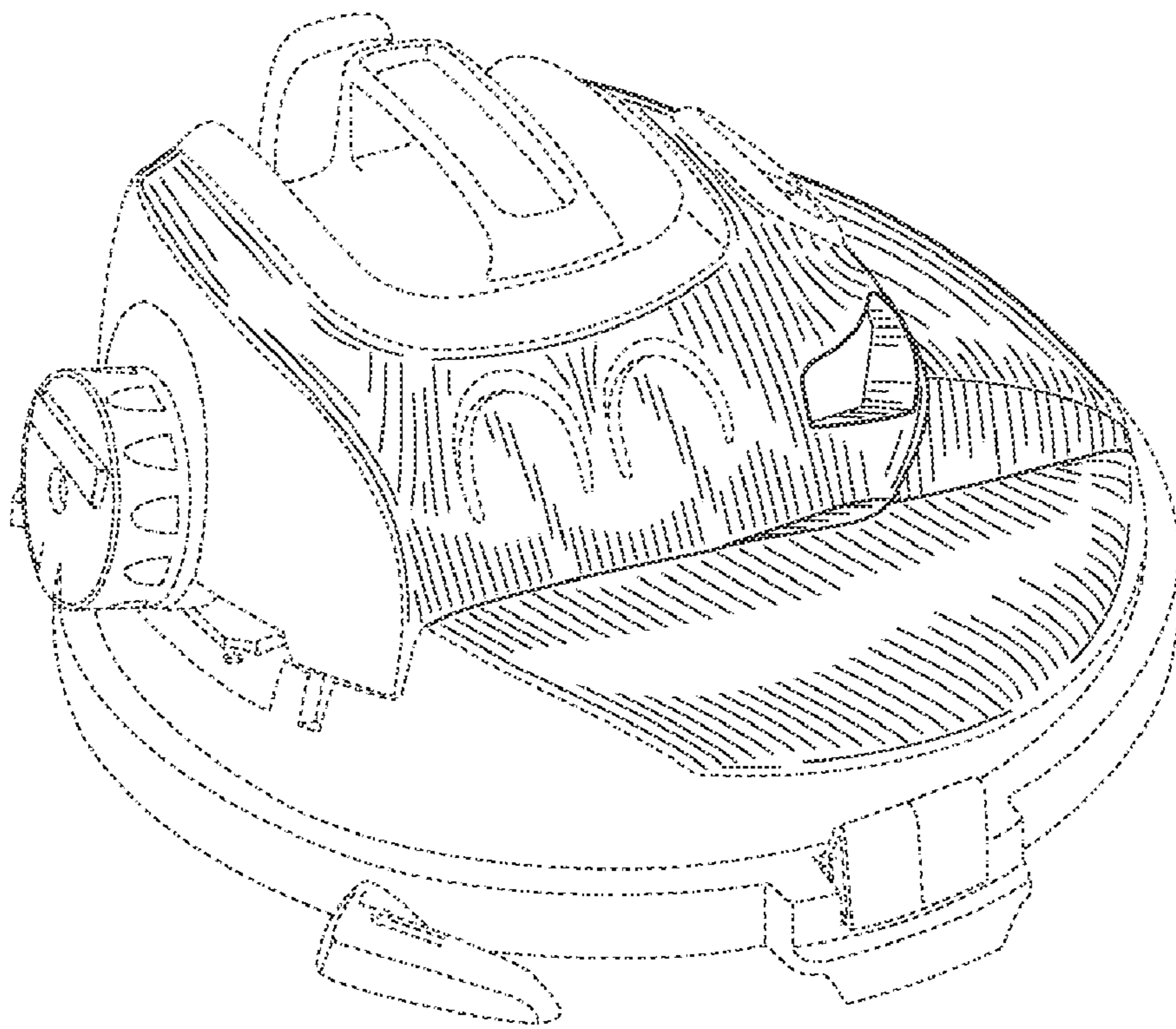


FIG. 8

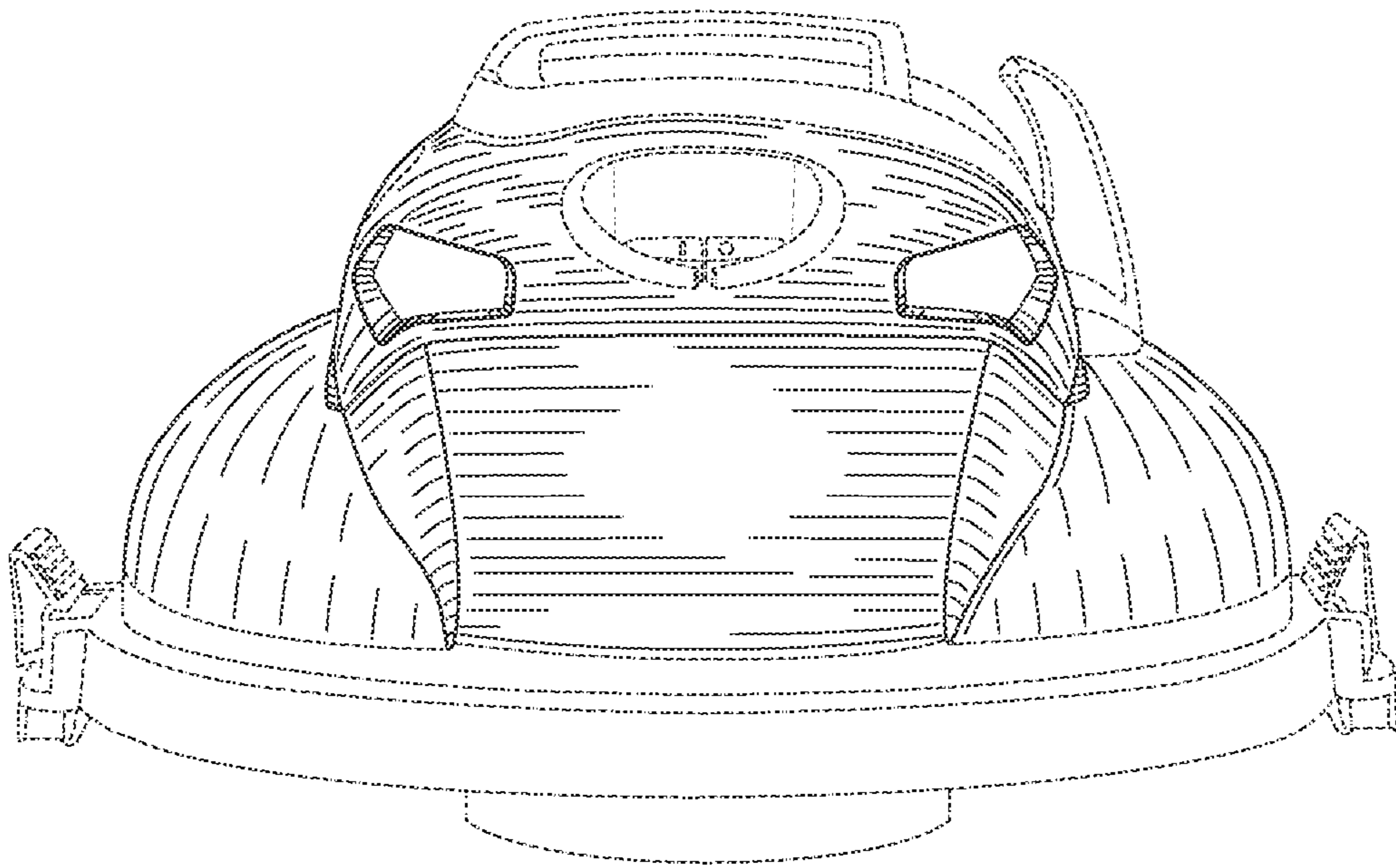


FIG. 9

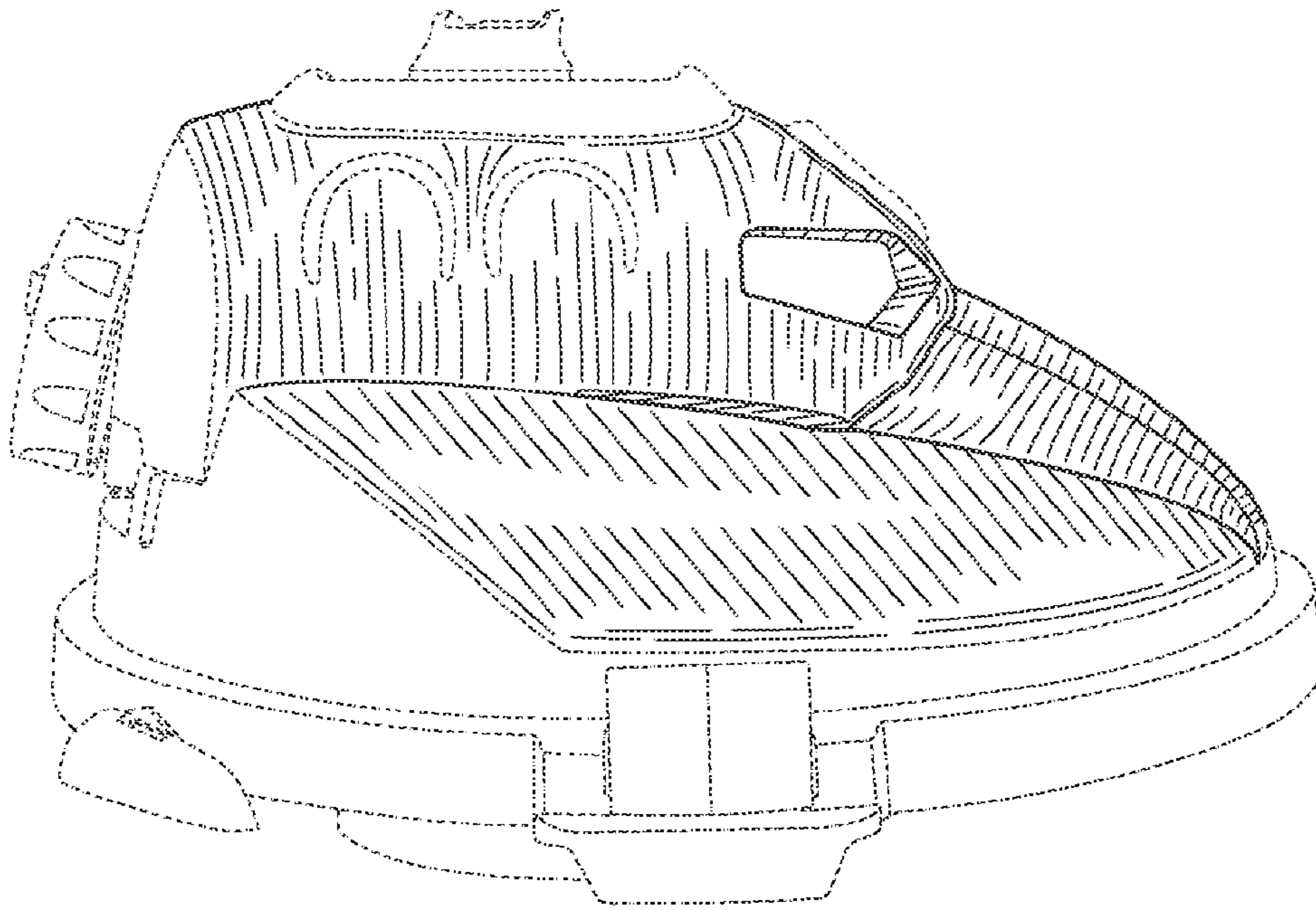


FIG. 10

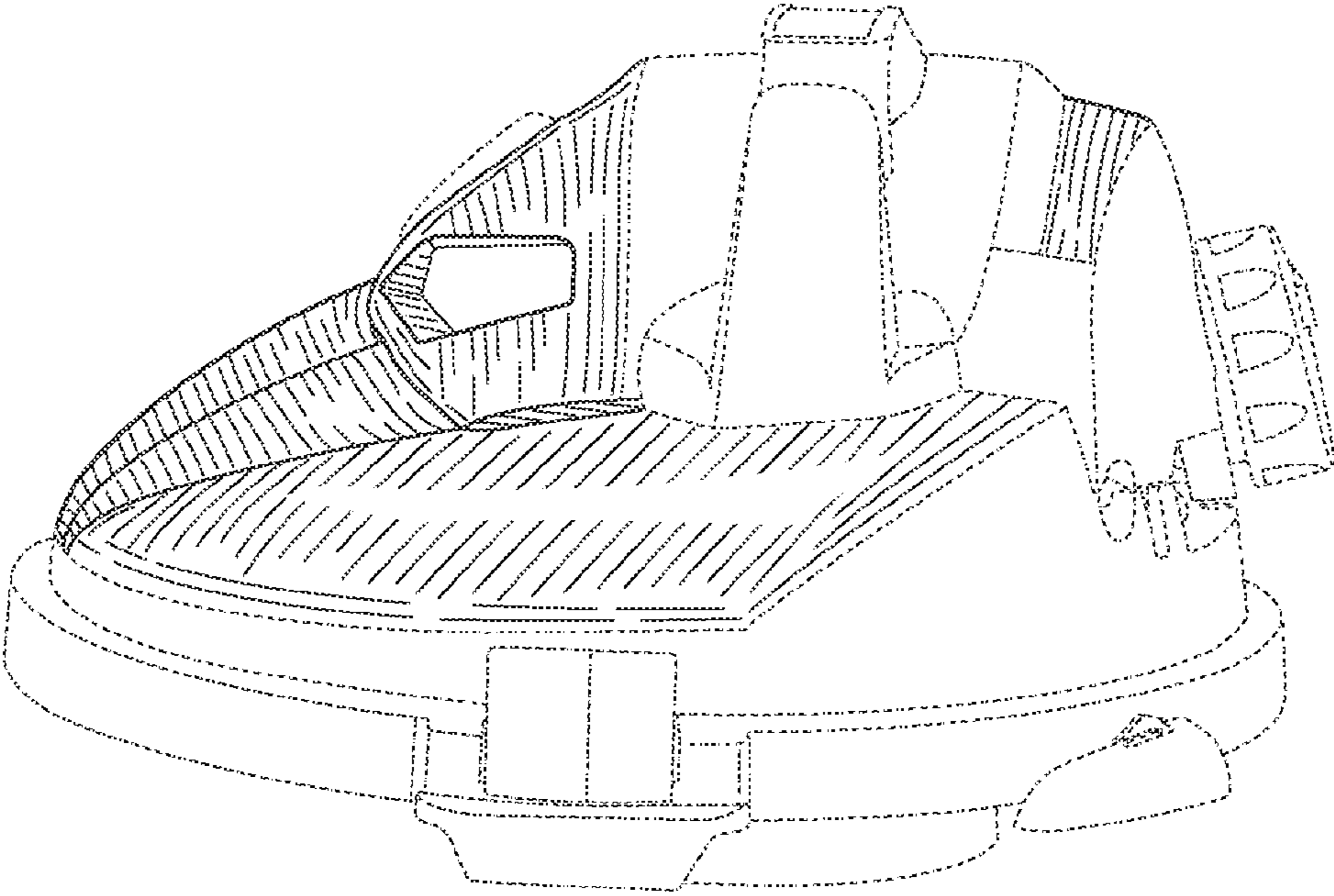


FIG. 11

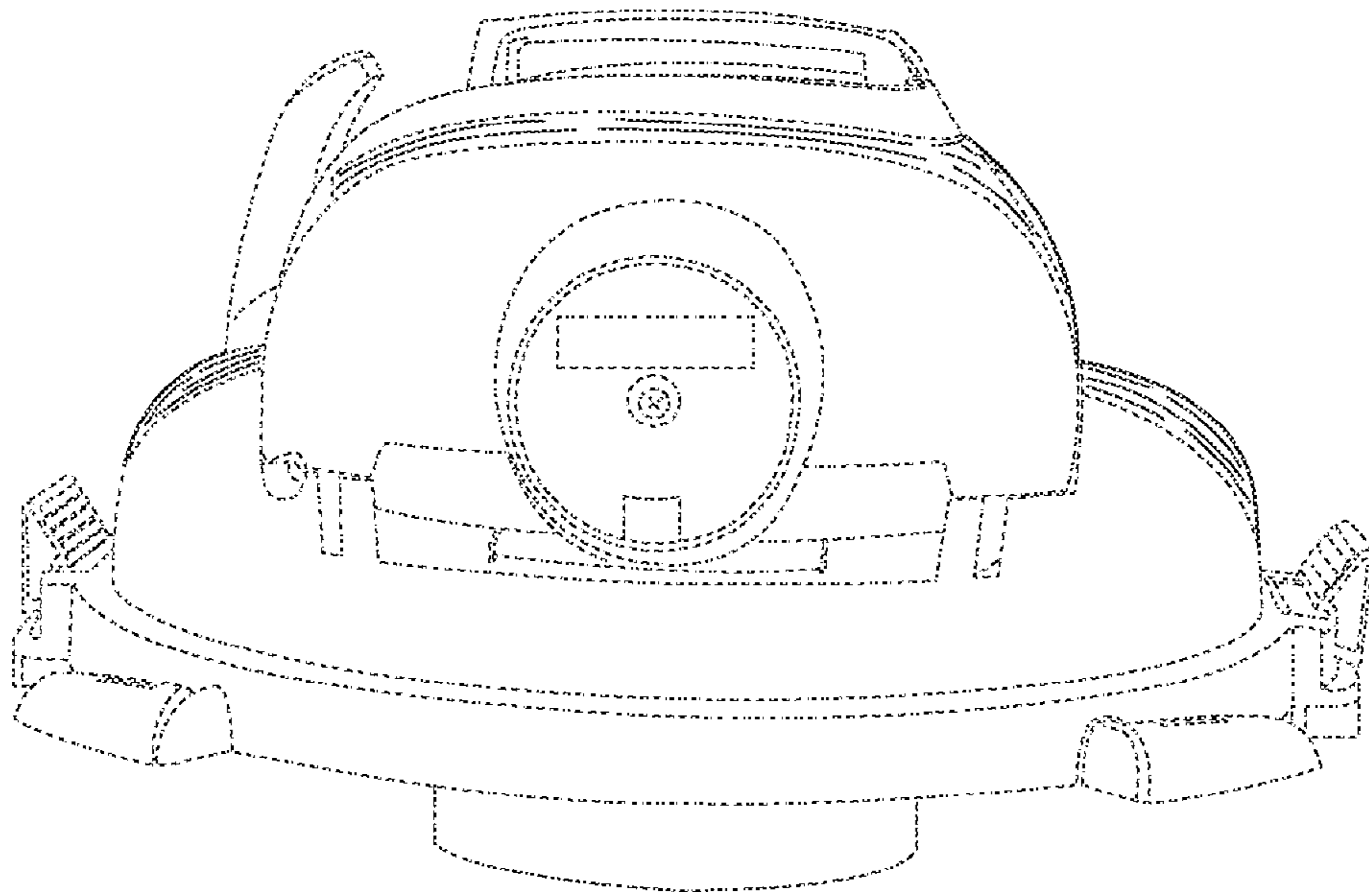


FIG. 12

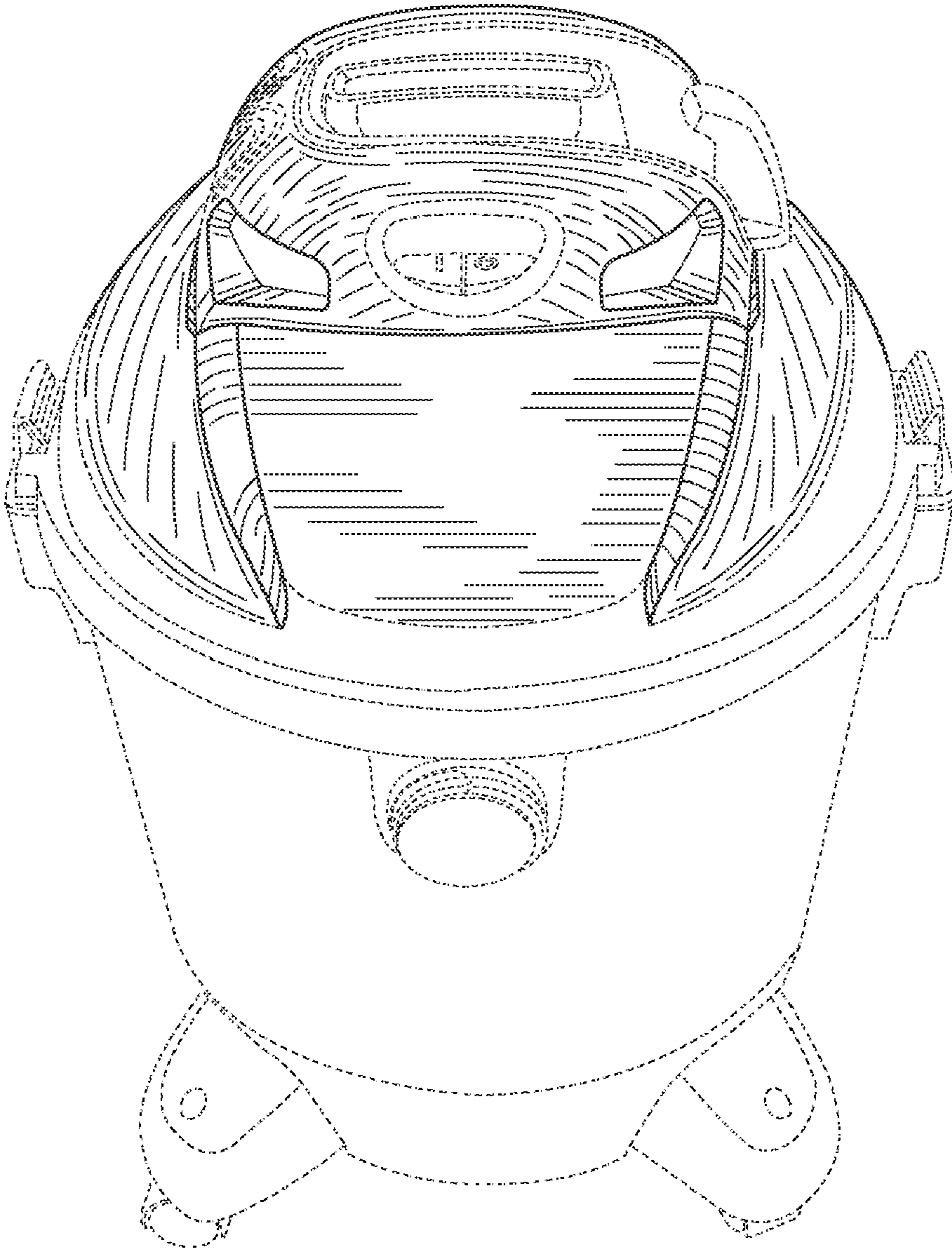


FIG. 13

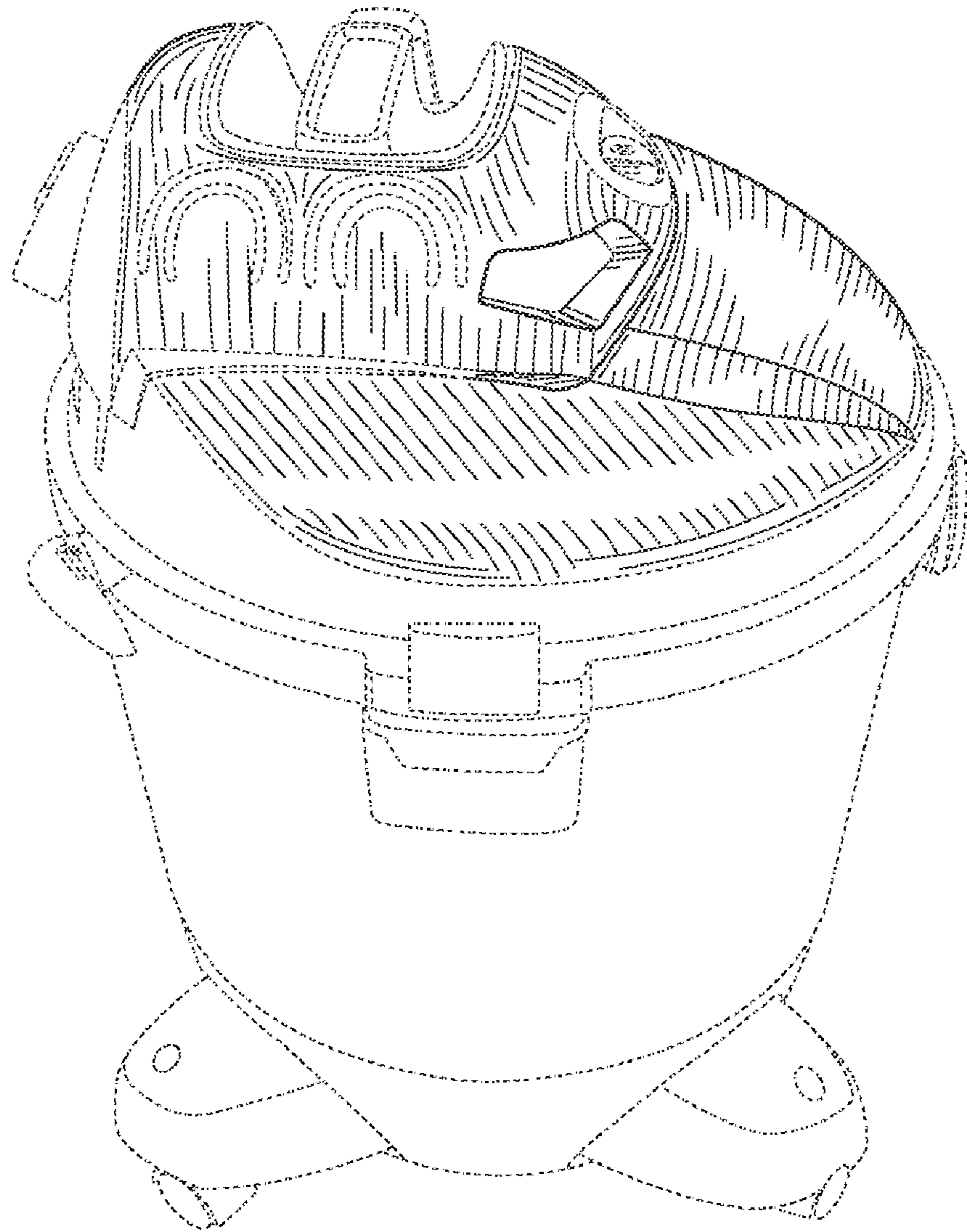


FIG. 14

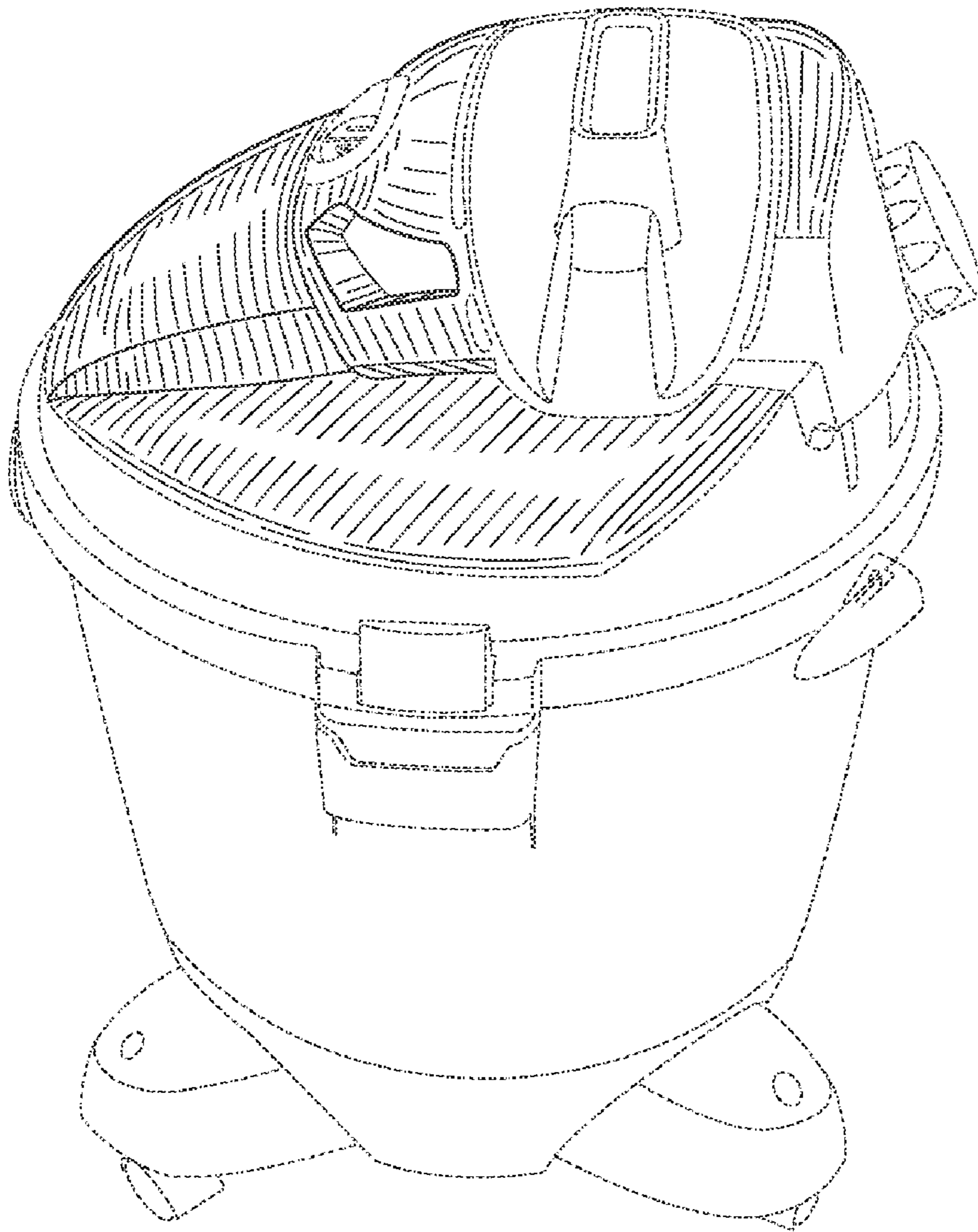


FIG. 15

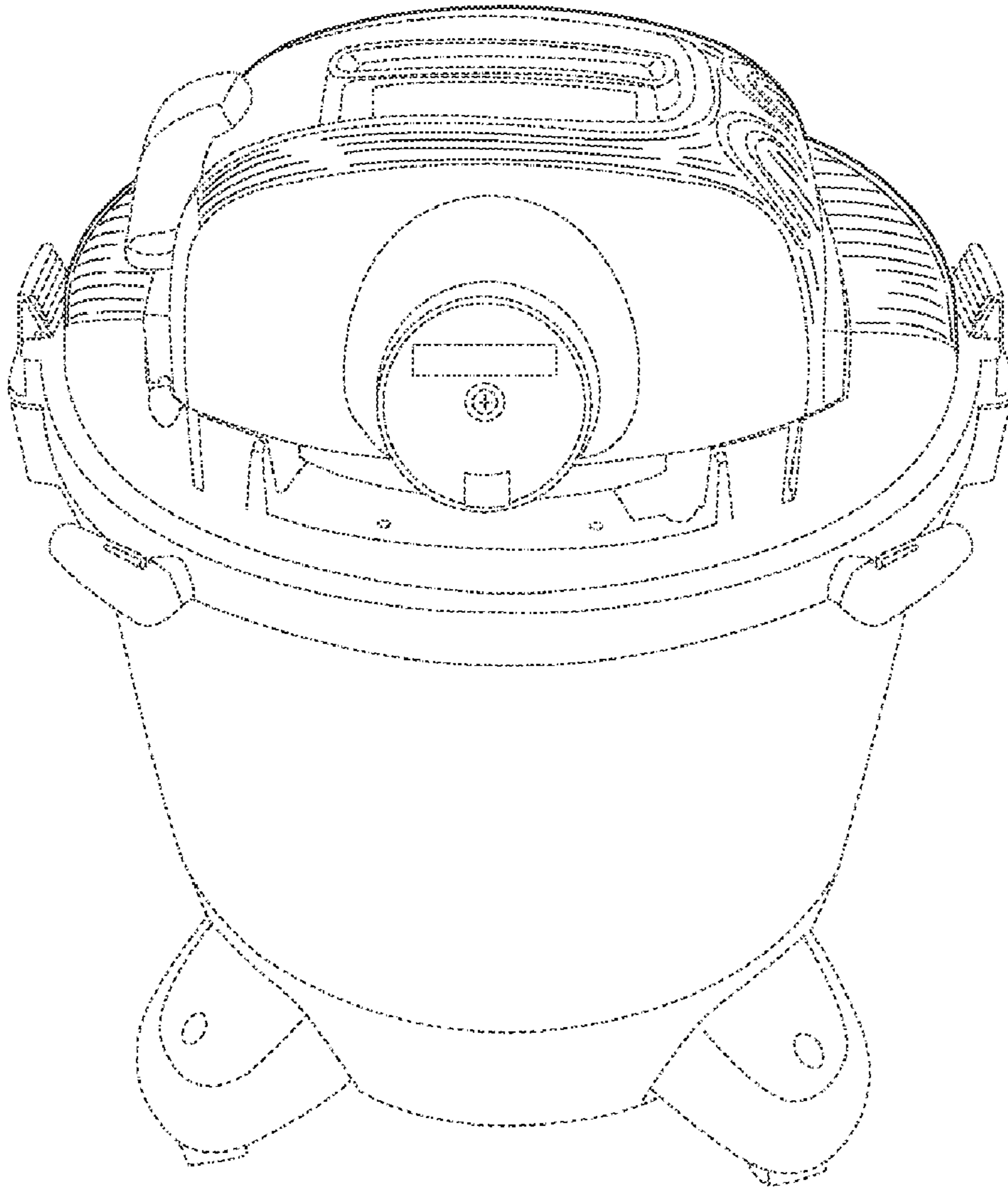


FIG. 16

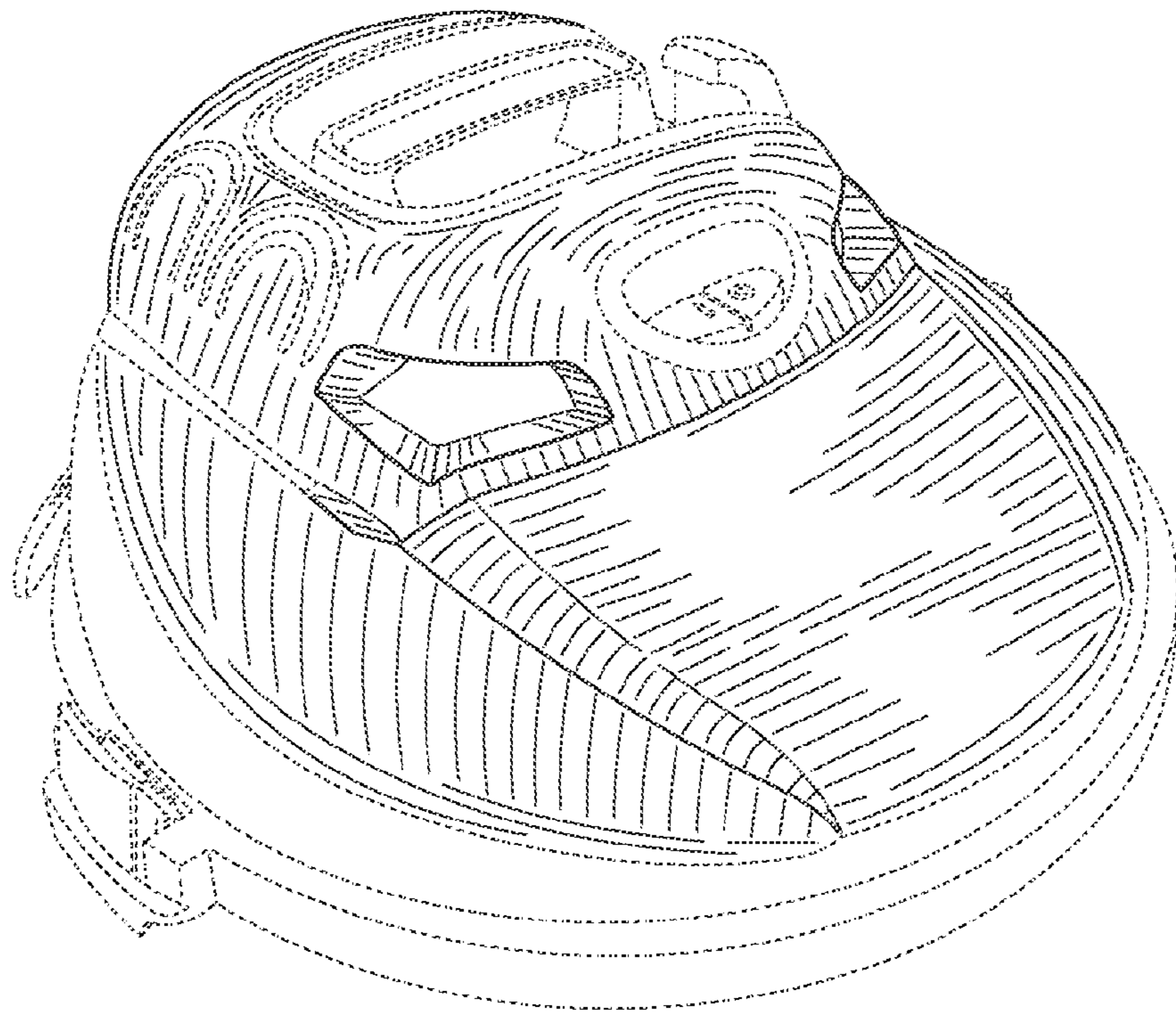


FIG. 17

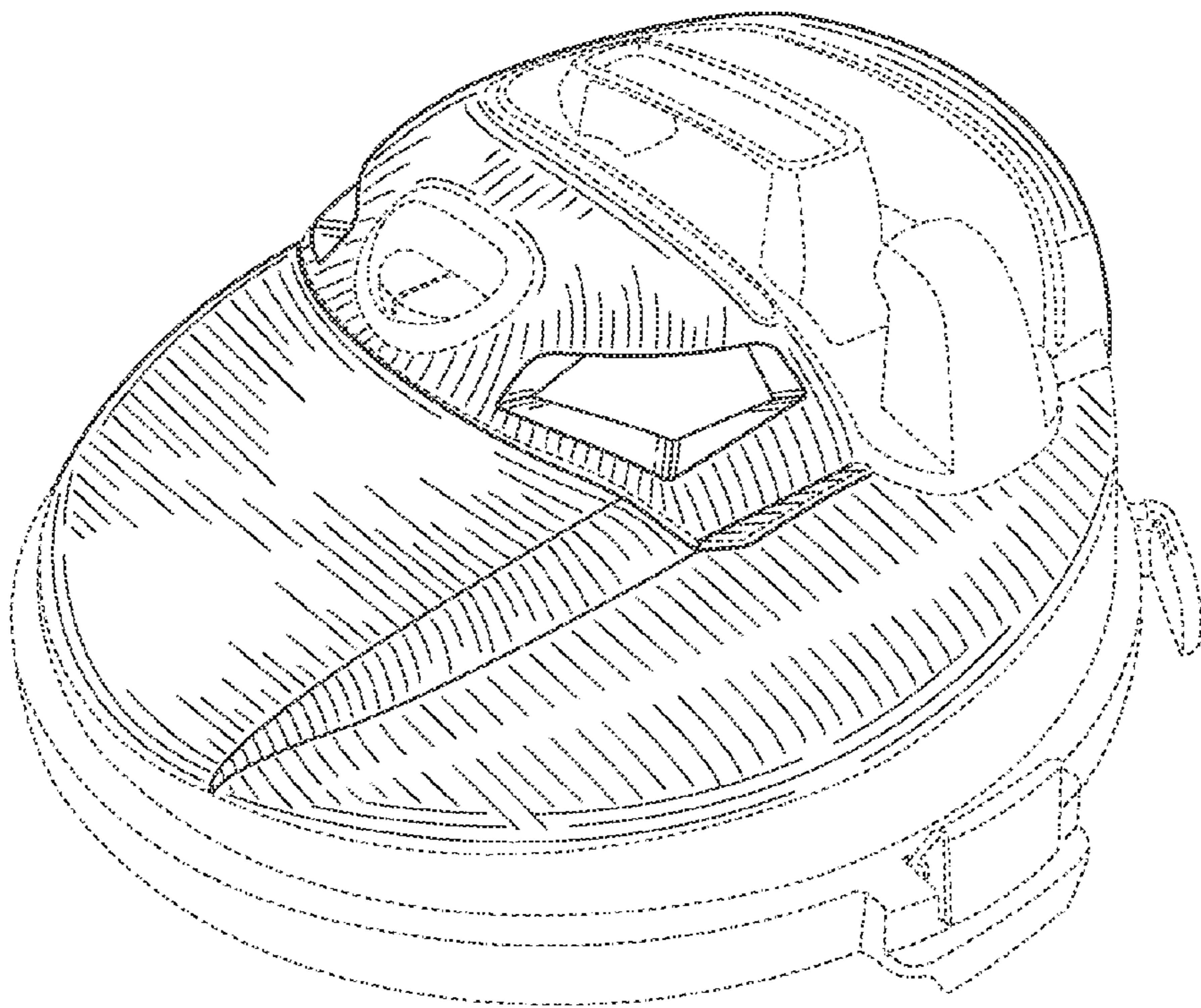


FIG. 18

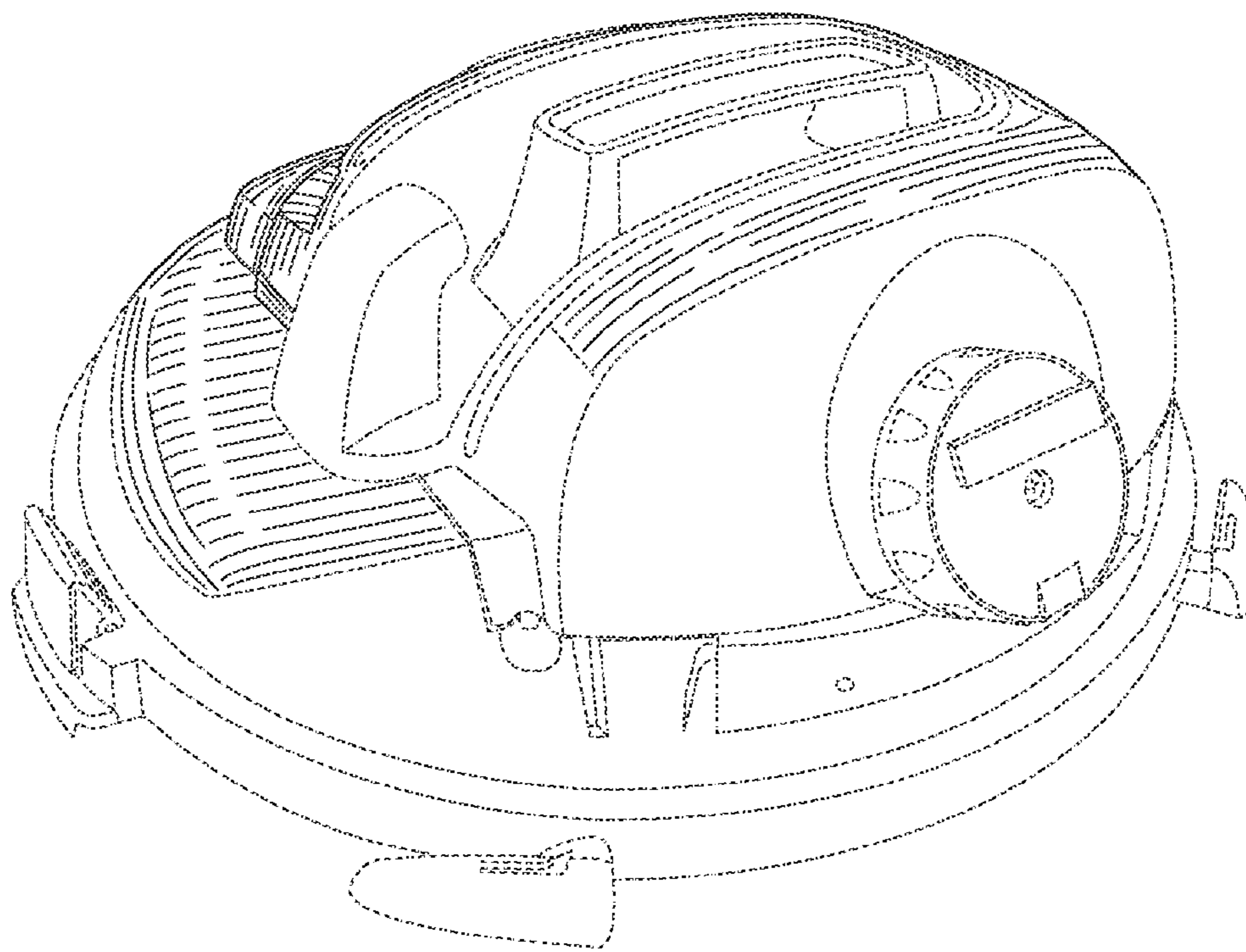


FIG. 19

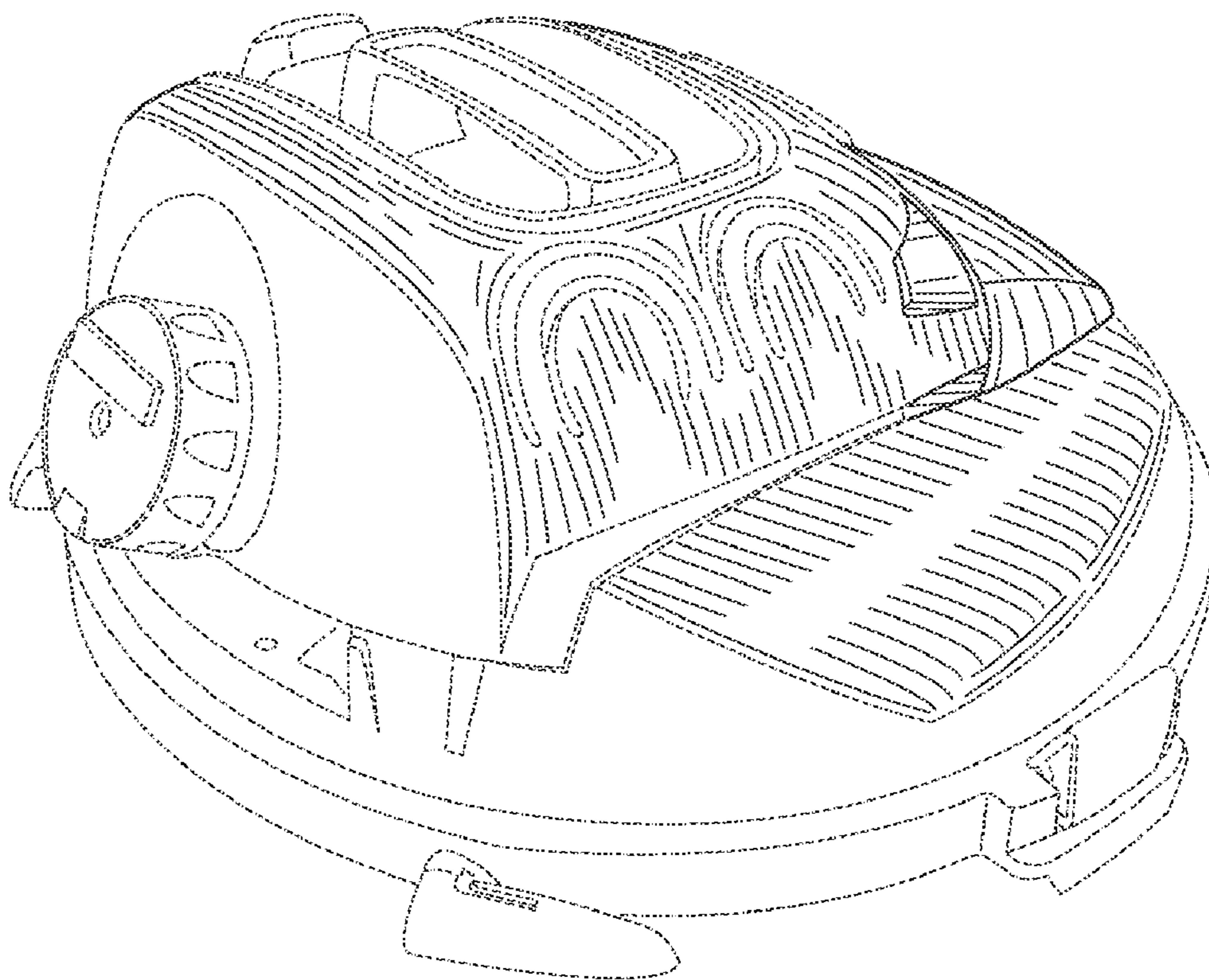


FIG. 20

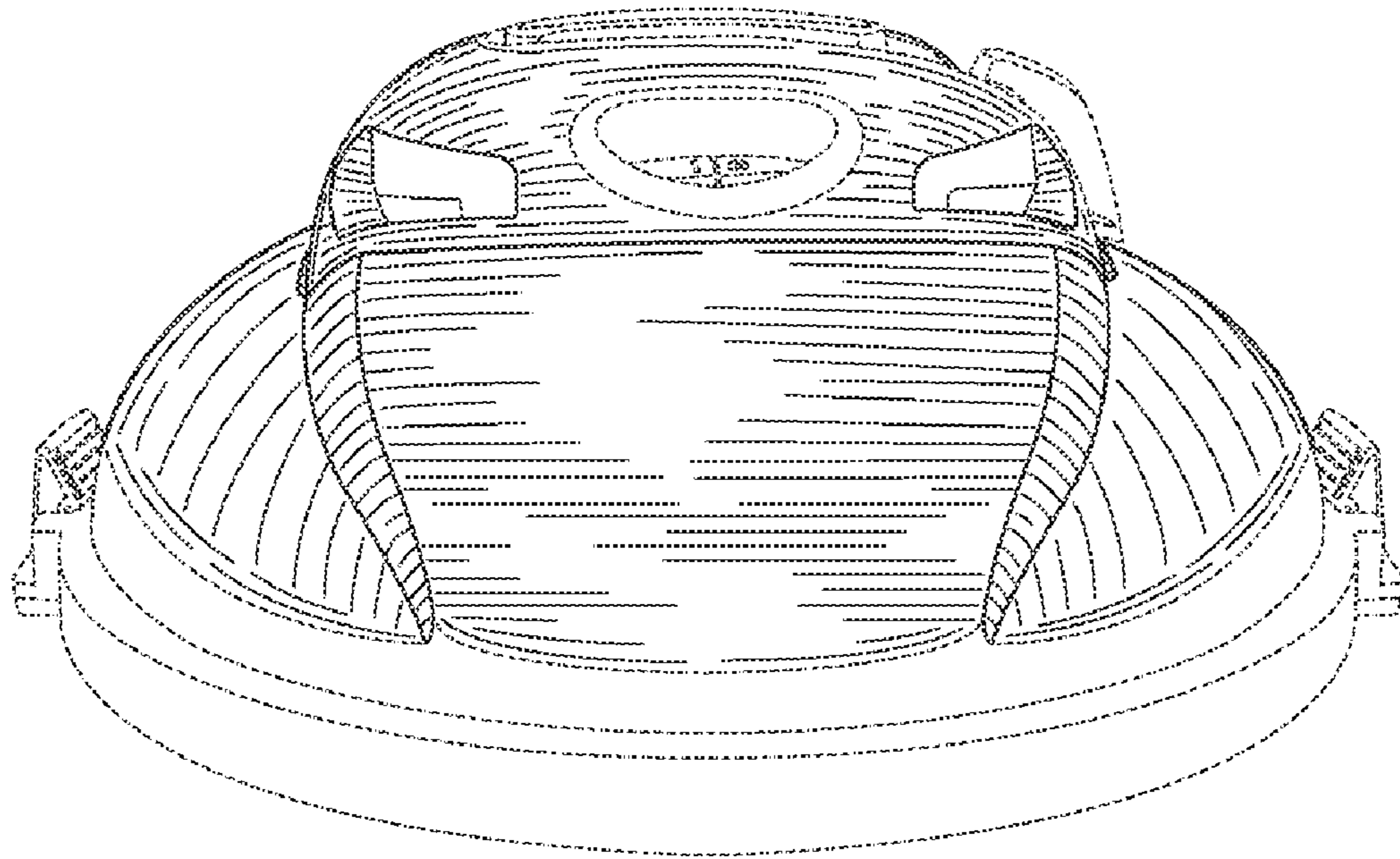


FIG. 21

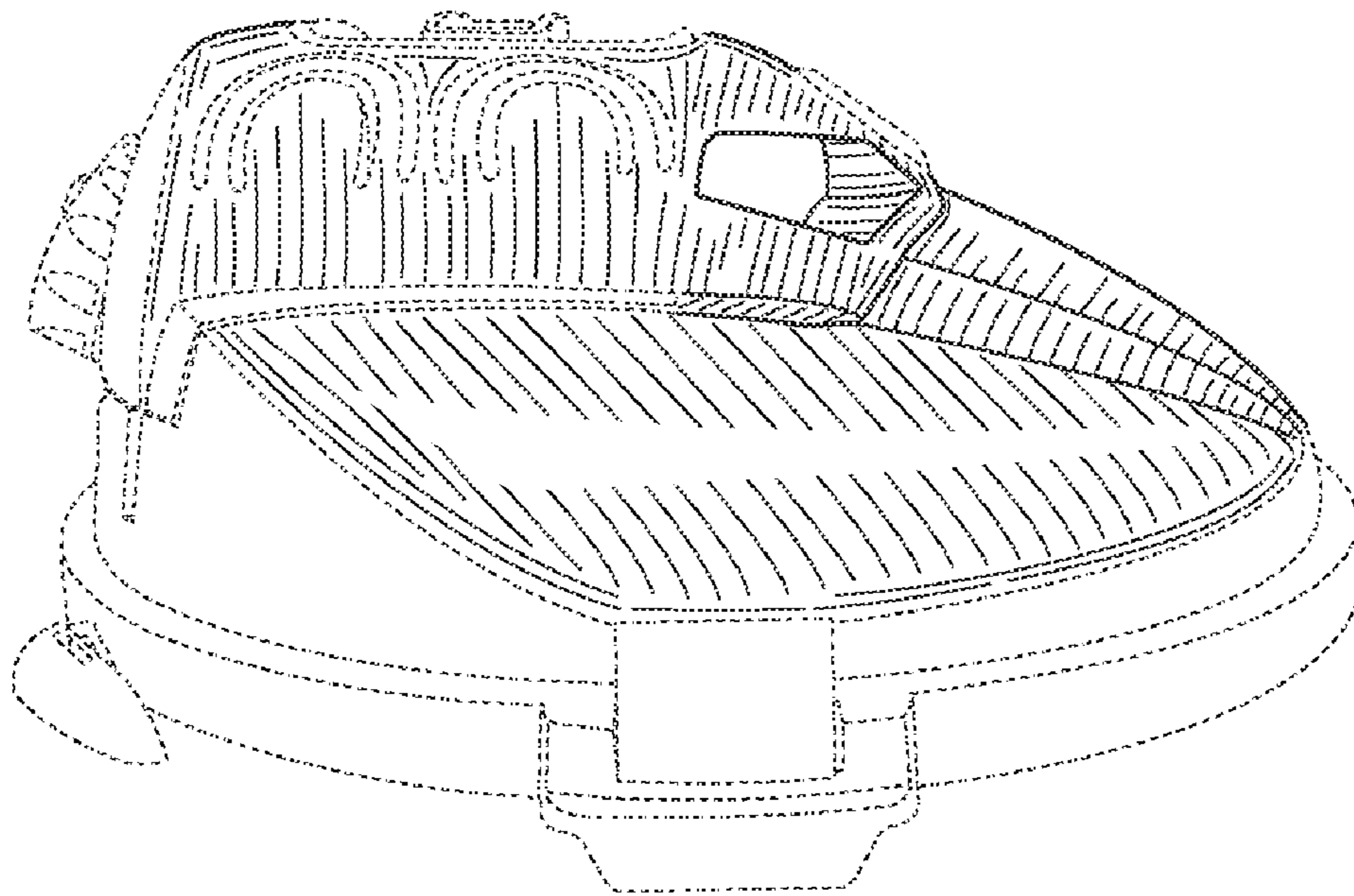


FIG. 22

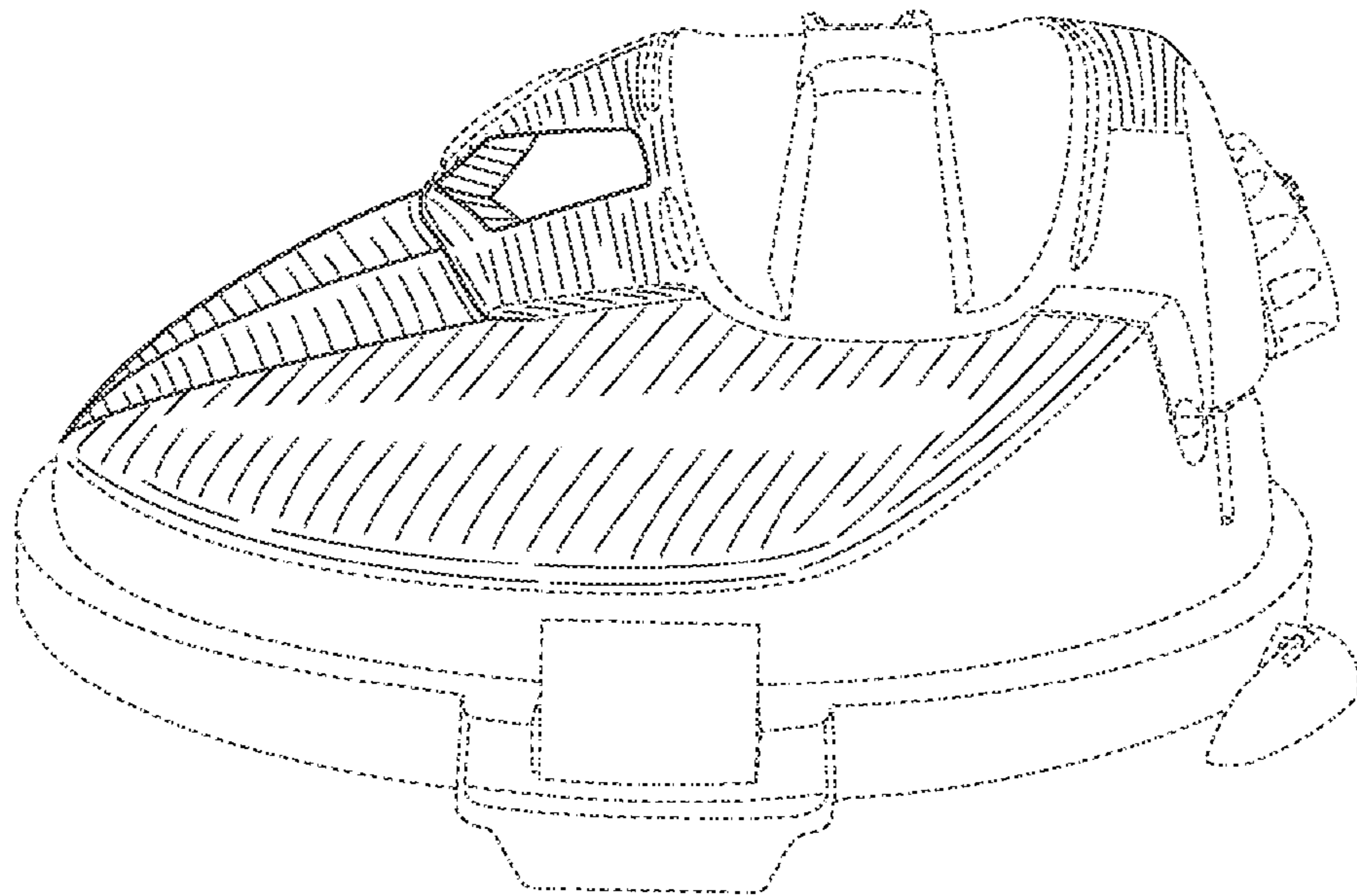


FIG. 23

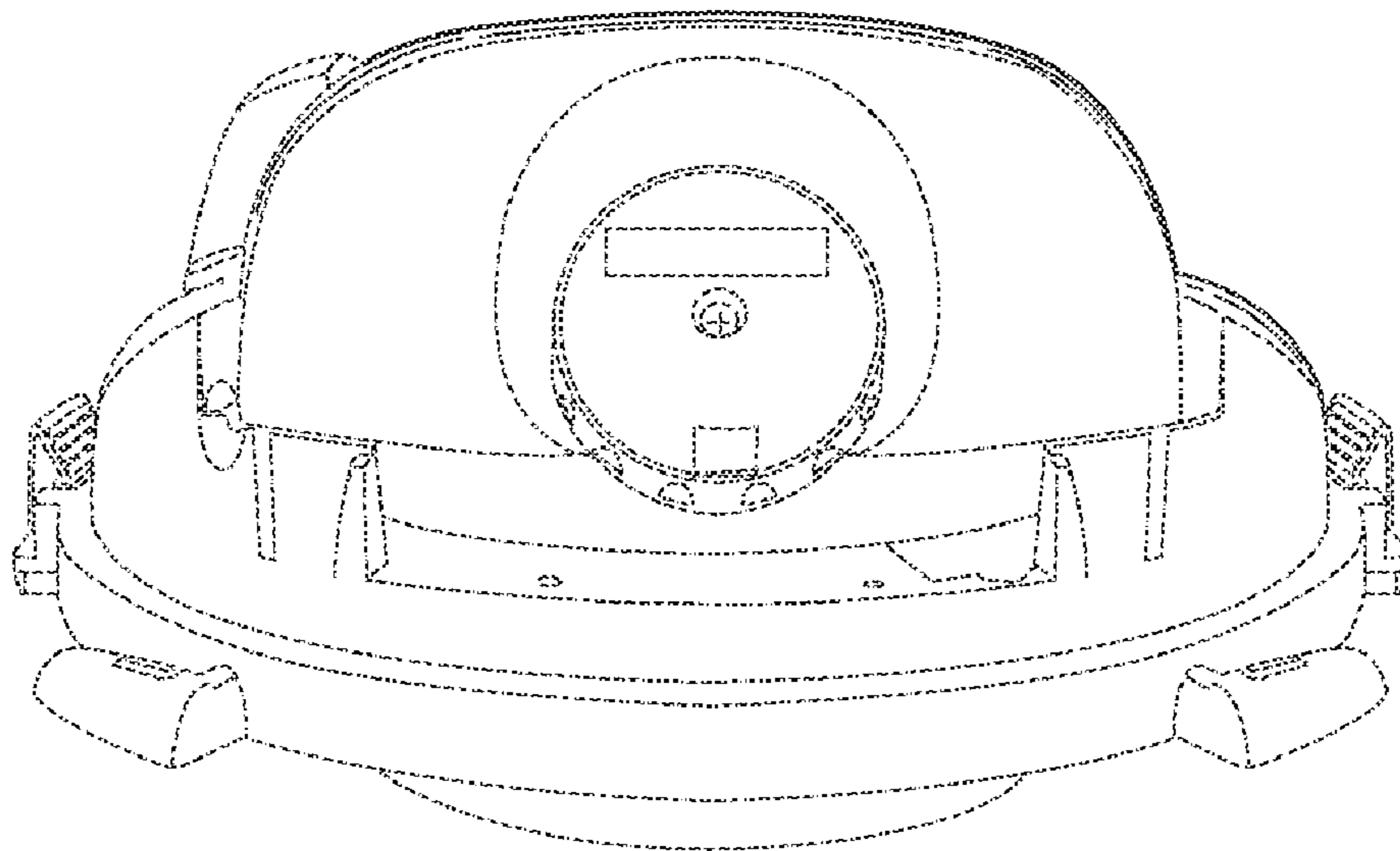


FIG. 24