



US00D638179S

(12) **United States Design Patent**
Witter

(10) **Patent No.:** **US D638,179 S**

(45) **Date of Patent:** **** May 17, 2011**

(54) **AUXILIARY CYCLONIC DUST COLLECTOR**

(76) Inventor: **Robert M. Witter**, Syracuse, NY (US)

(**) Term: **14 Years**

(21) Appl. No.: **29/342,738**

(22) Filed: **Aug. 31, 2009**

(51) **LOC (9) Cl.** **15-05**

(52) **U.S. Cl.** **D32/21**

(58) **Field of Classification Search** D32/1,
D32/21, 31, 25, 23-24; 55/356, 315, 337,
55/346, 472, 343, 429, 428, DIG. 3, 459.1,
55/345, 336, 342; 95/273; D15/138, 141;
451/453, 456, 451; 15/347; D23/393, 394,
D23/391, 386, 387; 285/7, 424, 179, 134.1,
285/189; 454/306

See application file for complete search history.

(56) **References Cited**

U.S. PATENT DOCUMENTS

5,089,037	A	*	2/1992	Marsolais	55/357
D482,827	S	*	11/2003	Storer et al.	D32/21
D482,828	S	*	11/2003	Storer et al.	D32/21
D502,297	S	*	2/2005	Cheng	D32/21
D533,321	S	*	12/2006	Peng	D32/21

D566,350	S	*	4/2008	Leasure	D32/21
D593,264	S	*	5/2009	Lin	D32/21
D596,358	S	*	7/2009	Witter et al.	D32/21
D596,816	S	*	7/2009	Leasure et al.	D32/21
D604,464	S	*	11/2009	Witter	D32/21
2005/0076624	A1	*	4/2005	Cho	55/356

* cited by examiner

Primary Examiner — Ruth McInroy

(74) *Attorney, Agent, or Firm* — Bernhard P. Mollidrem, Jr.

(57) **CLAIM**

The ornamental design for an auxiliary cyclonic dust collector, as shown and described.

DESCRIPTION

FIG. 1 is a perspective view of an auxiliary cyclonic dust collector showing my new design;
FIG. 2 is a top view thereof.
FIG. 3 is a right side elevational view thereof.
FIG. 4 is a left side elevational view thereof.
FIG. 5 is a rear view thereof; and,
FIG. 6 is a front view thereof.
The wheels, casters and intake portion shown in broken lines form no part of the claimed design.

1 Claim, 1 Drawing Sheet

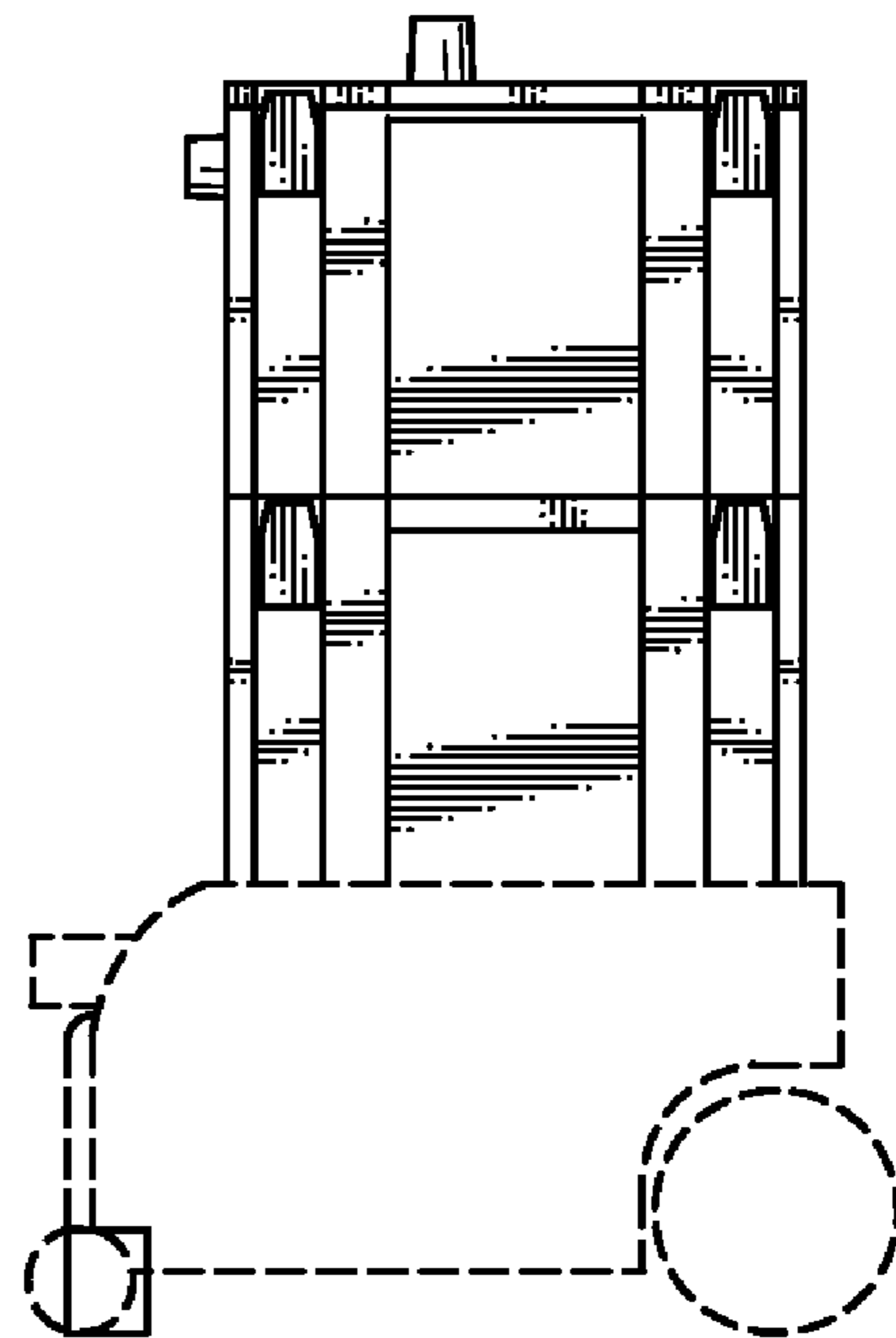
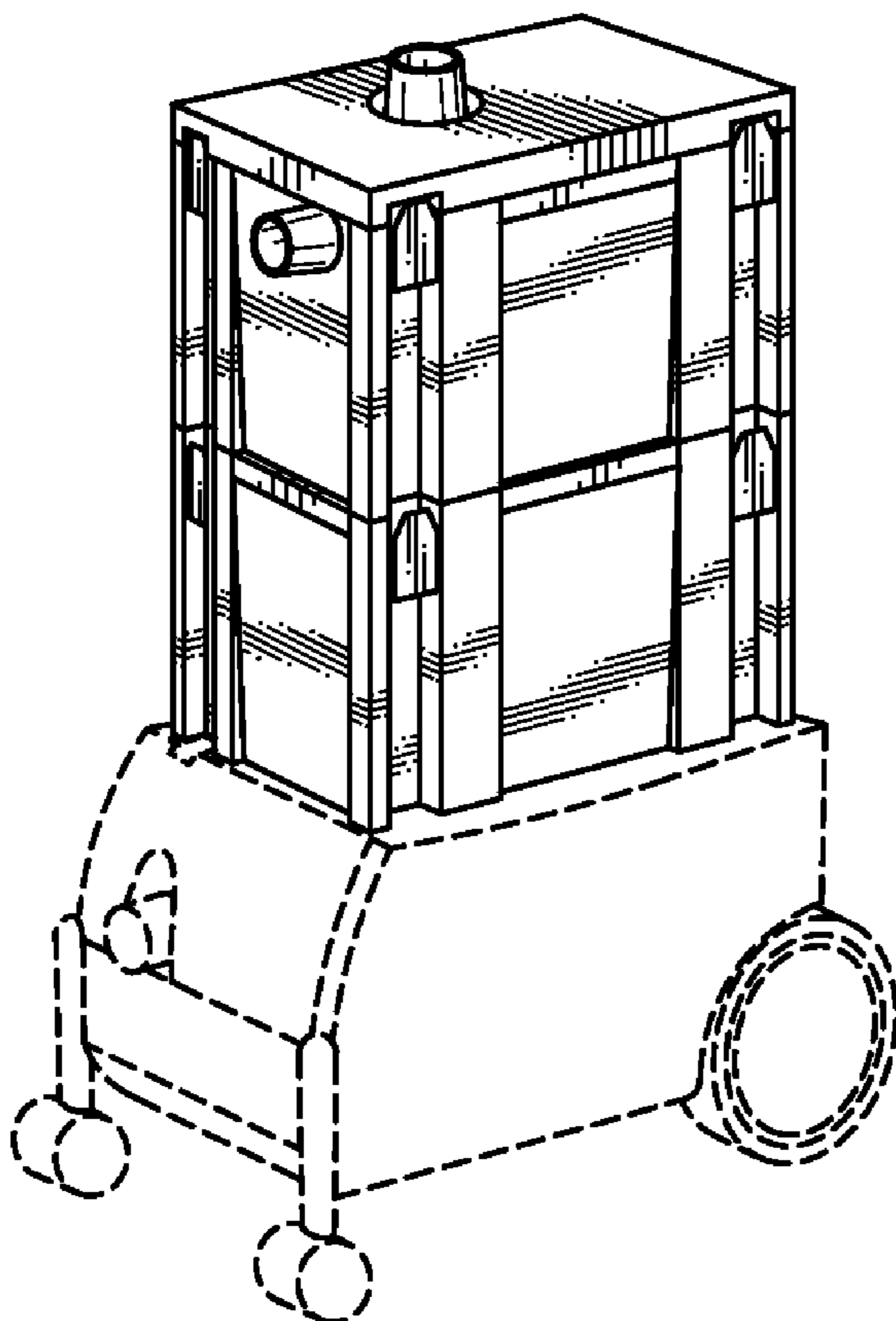


FIG.1

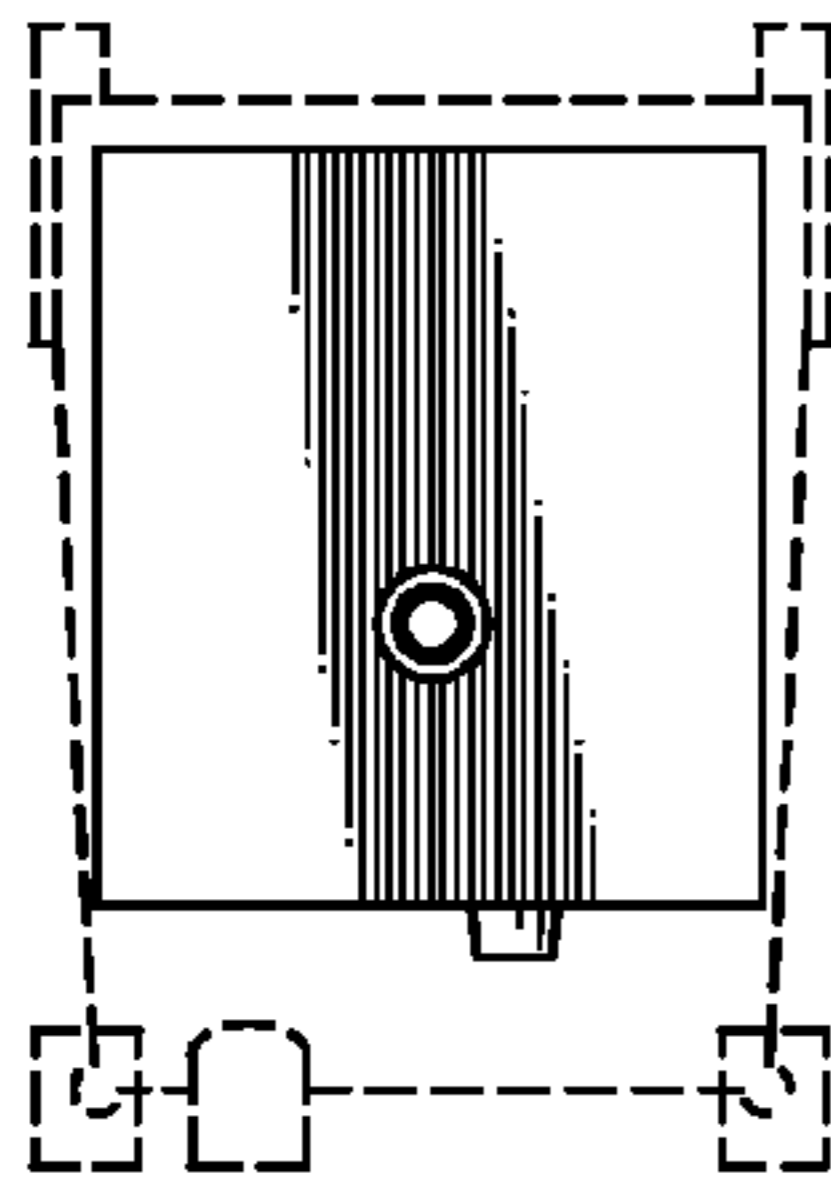
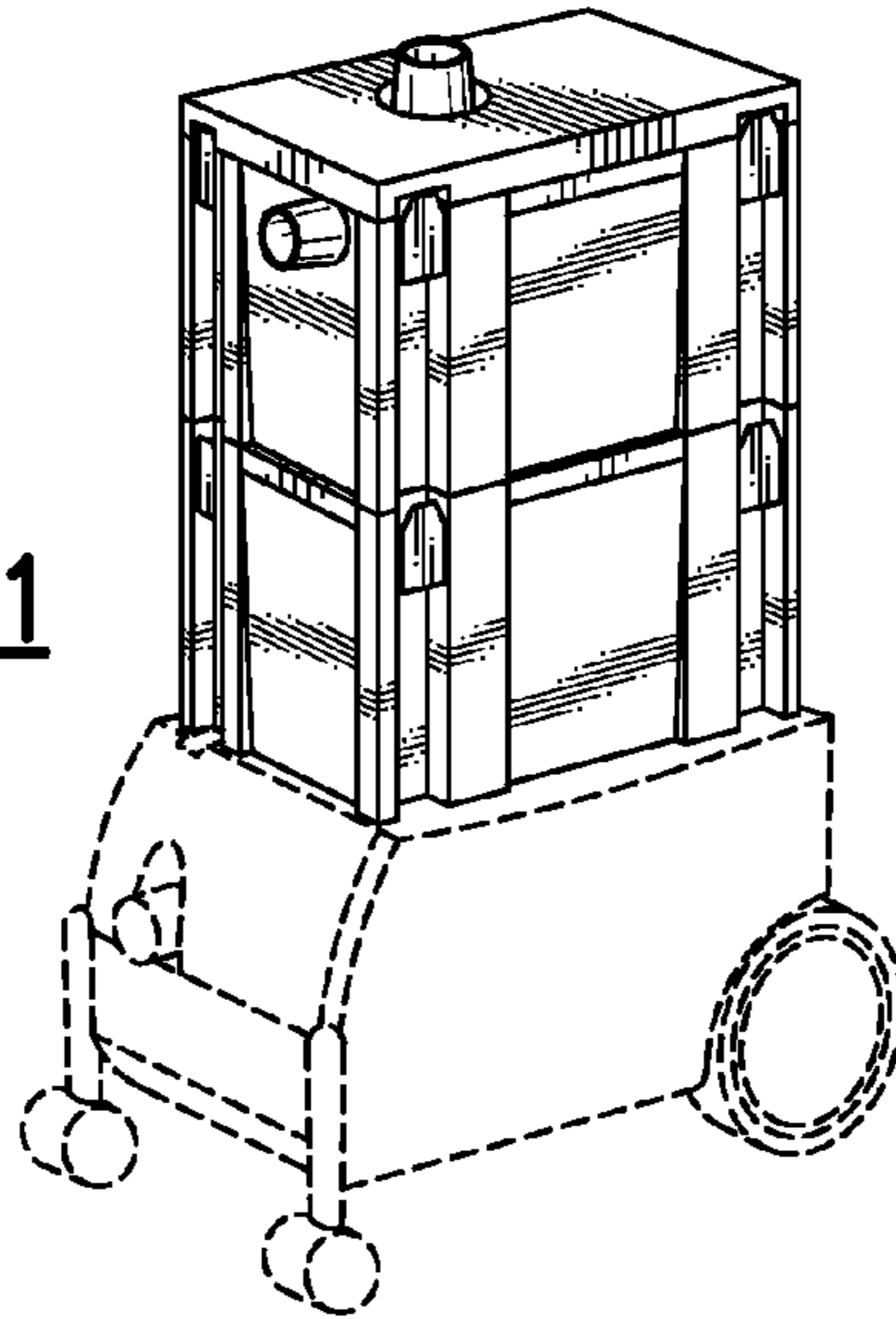


FIG.2

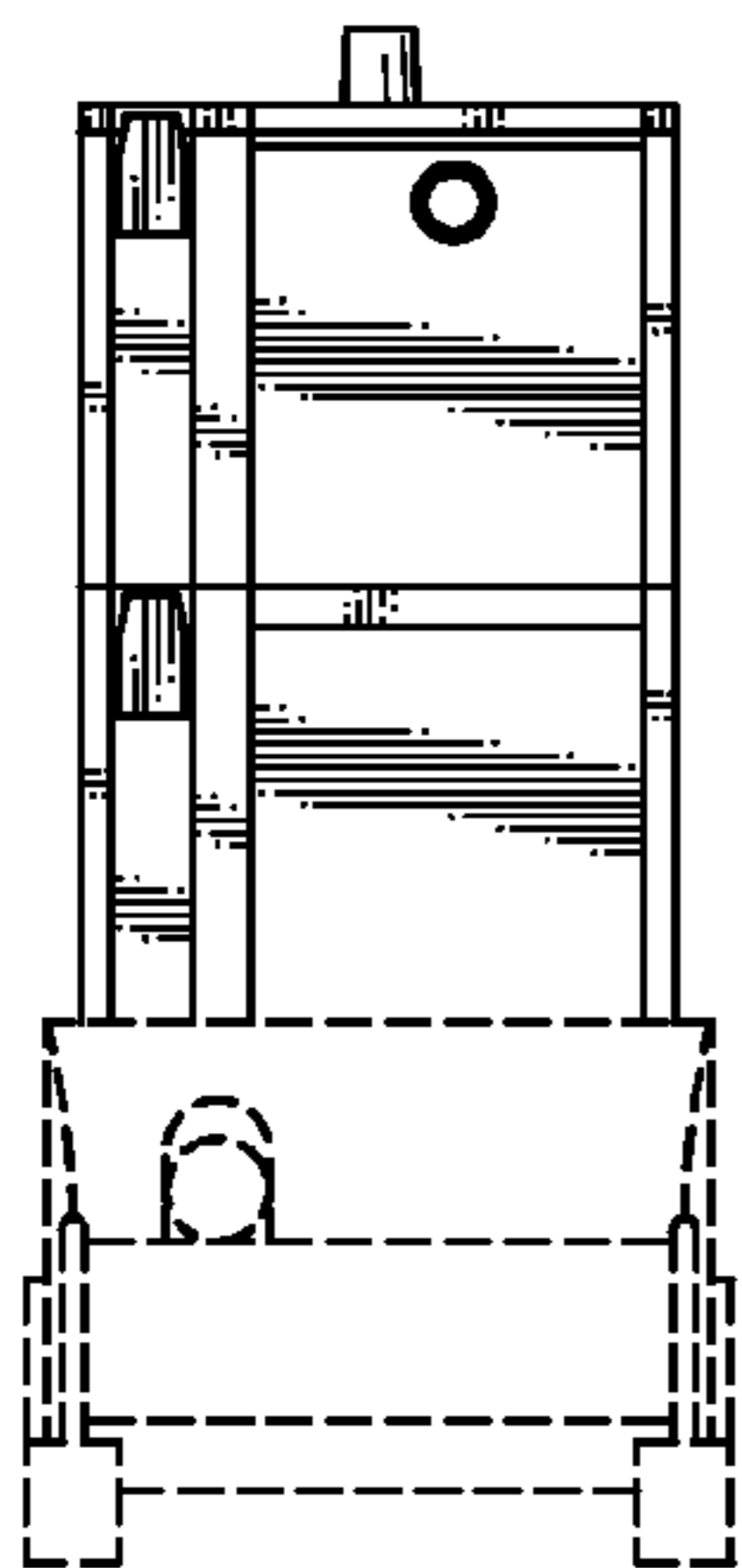


FIG.6

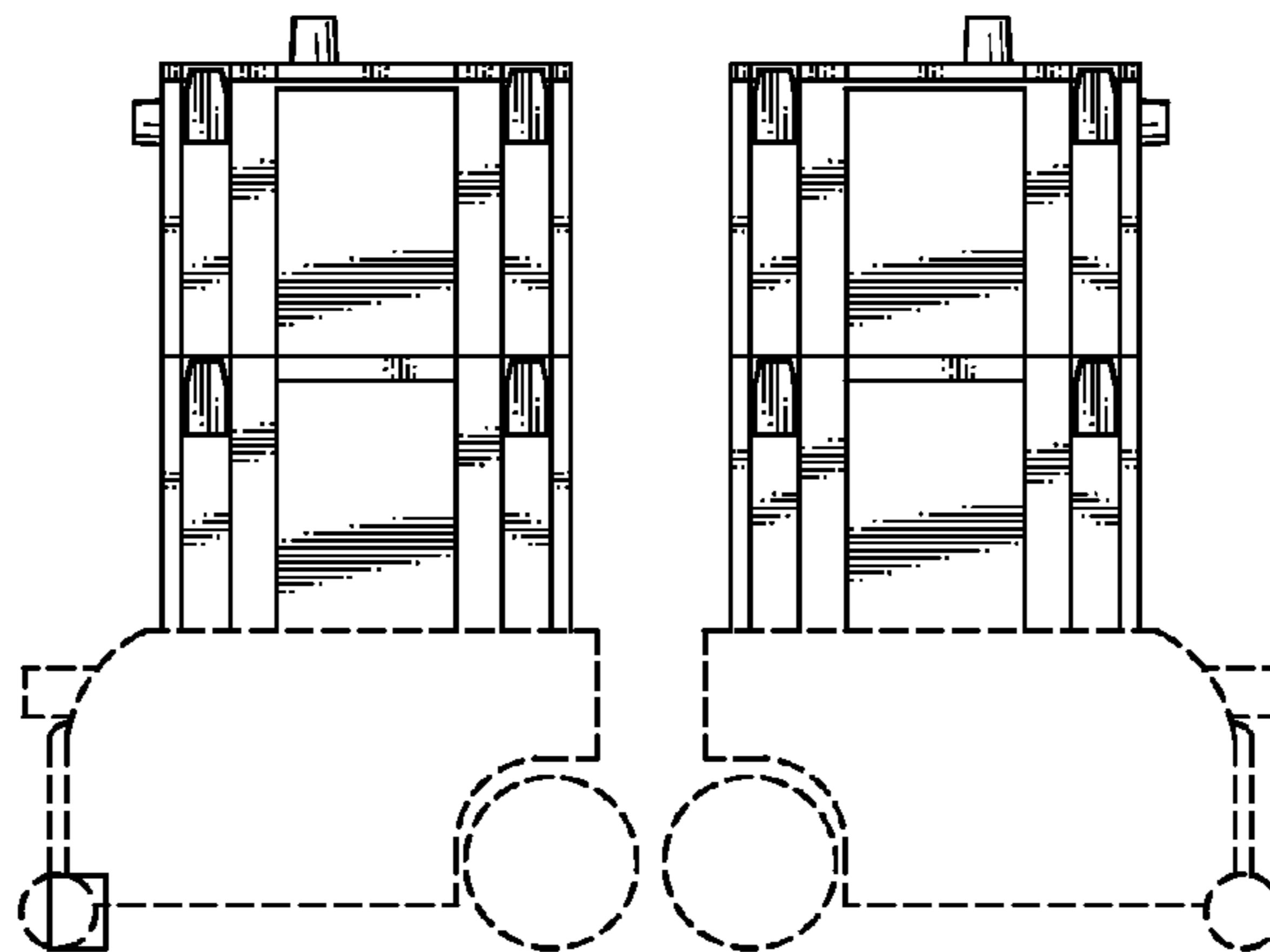


FIG.4

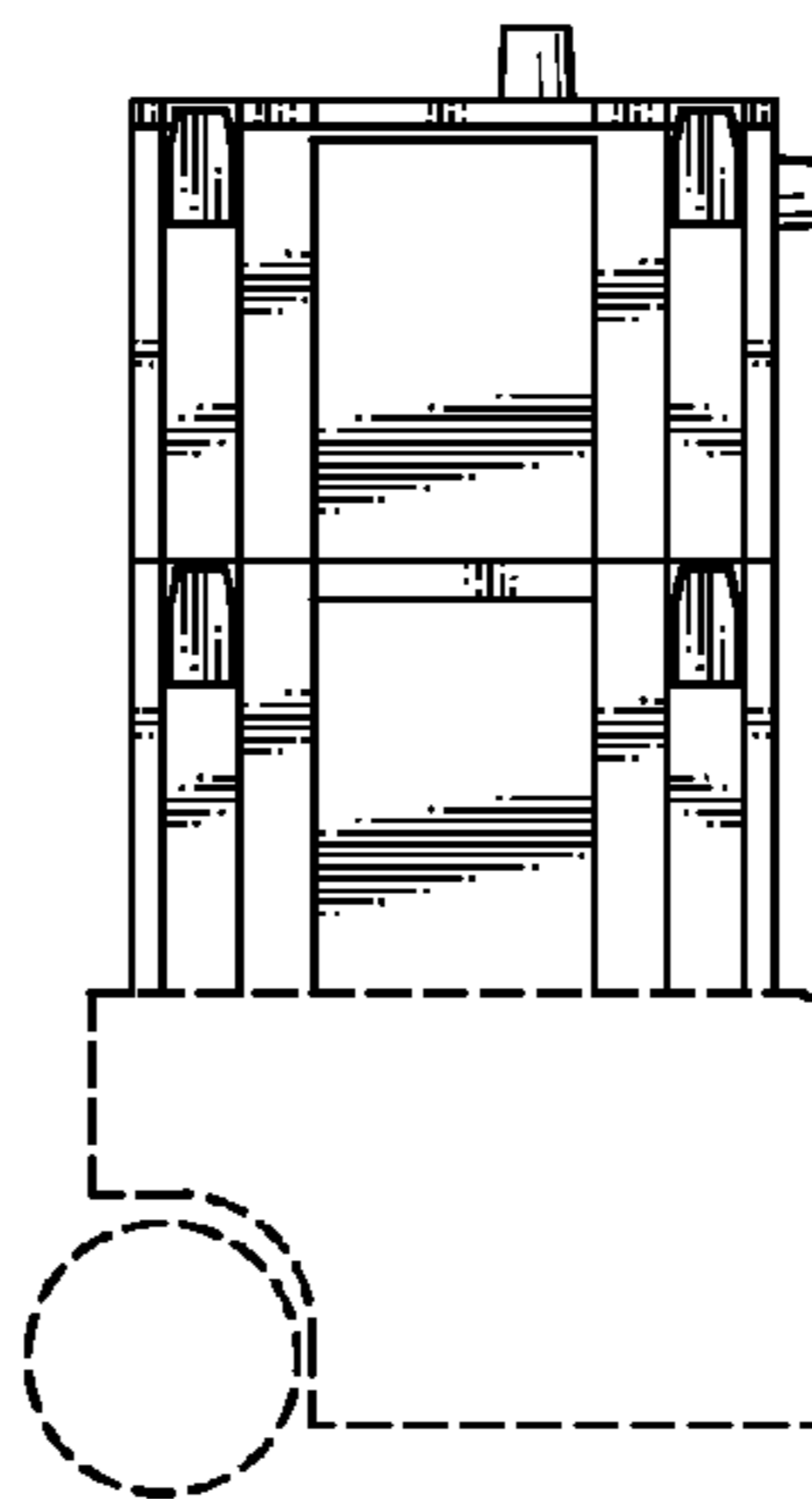


FIG.3

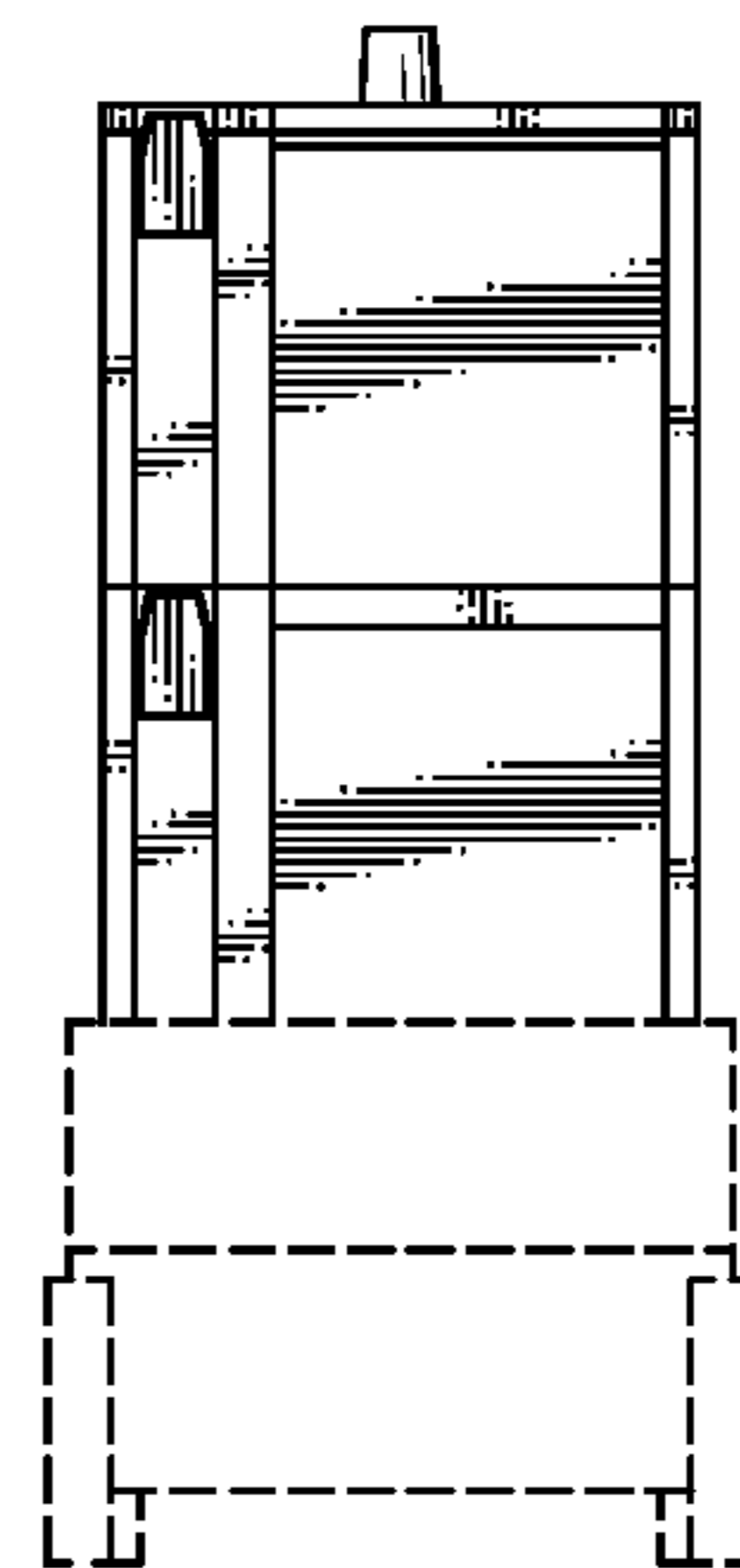


FIG.5