



US00D638174S

(12) **United States Design Patent**  
**Wolk**

(10) **Patent No.:** **US D638,174 S**

(45) **Date of Patent:** **\*\* May 17, 2011**

(54) **WILDLIFE FEEDER BEAR EXCLUSION  
DEVICE**

(76) Inventor: **Peter Wolk**, Seminole, FL (US)

(\*\*) Term: **14 Years**

(21) Appl. No.: **29/381,844**

(22) Filed: **Dec. 23, 2010**

(51) **LOC (9) Cl.** ..... **30-03**

(52) **U.S. Cl.** ..... **D30/121; D30/128**

(58) **Field of Classification Search** ..... D30/133,  
D30/121, 129-132, 108, 113, 161, 199; 119/60,  
119/58, 59, 61, 51.5, 51.01, 56.1, 51.13,  
119/61.3, 57.92, 51.11, 482, 221, 208, 452,  
119/52.1, 498, 500, 61.1; D25/56, 57, 1,  
D25/19, 16, 26, 13, 32, 15, 18, 22, 33; D21/837,  
D21/834, 838, 811, 470, 511; 52/79.1, 584.1,  
52/13, 79.5, 2.17, 2.18, 2.15, 2.22, 2.25,  
52/68, 64, 70, 143, 86, 167.1, 274, 293.3,  
52/745.08, 79.4, 245, 82, 81.5, 285.3, 309.9,  
52/586.1, 79.9, 81.1, 81.4, 80.1; 135/131,  
135/132, 98, 97, 115, 901, 135, 153, 94,  
135/93, 156, 87, 116, 124, 125, 905, 123,  
135/137, 145, 117, 120.3, 147, 155, 126,  
135/128, 143, 133, 136, 90, 903, 907; 280/19.1;  
296/10; 256/26; 414/24.5; 446/7, 478;  
D6/403-405, 411, 465-468; D11/143-146,  
D11/152-154; D7/409, 561, 601, 570; 47/32.7,  
47/33, 39, 41.01, 41.1, 41.11, 71, 69, 67,  
47/66.5-66.7, 44-47, 65.5, 65.8, 76, 904;  
D99/19, 23, 27; 211/181.1; D26/9, 16, 19;  
248/153; D36/30; D8/1

See application file for complete search history.

(56) **References Cited**

U.S. PATENT DOCUMENTS

166,346	A *	8/1875	Collier	248/153
375,824	A *	1/1888	Light	119/60
D37,662	S *	11/1905	Jung	D3/306
879,613	A *	2/1908	Edwards	47/78
1,319,060	A *	10/1919	Gardon	119/60
1,522,876	A *	1/1925	Genebach	248/153
D138,327	S *	7/1944	Smith et al.	D3/306
D158,566	S *	5/1950	Engstrom	D3/306
2,746,208	A *	5/1956	Lewis	47/41.01
3,284,039	A *	11/1966	Brunner	248/153
3,777,713	A *	12/1973	Deats	119/60
3,851,624	A *	12/1974	Peak	119/60
D236,273	S *	8/1975	Peak	D30/131
3,906,903	A *	9/1975	Vandewater	119/60
D237,814	S *	11/1975	Edmonds et al.	D11/152
D241,453	S *	9/1976	Schwartzberg et al.	D11/152
3,979,856	A *	9/1976	Belcher	47/76
4,062,148	A *	12/1977	Edmonds et al.	47/76
D256,682	S *	9/1980	Lee et al.	D11/152

(Continued)

*Primary Examiner* — Susan Moon Lee

(74) *Attorney, Agent, or Firm* — Larson & Larson, P.A.;  
Frank Liebenow; Justin P. Miller

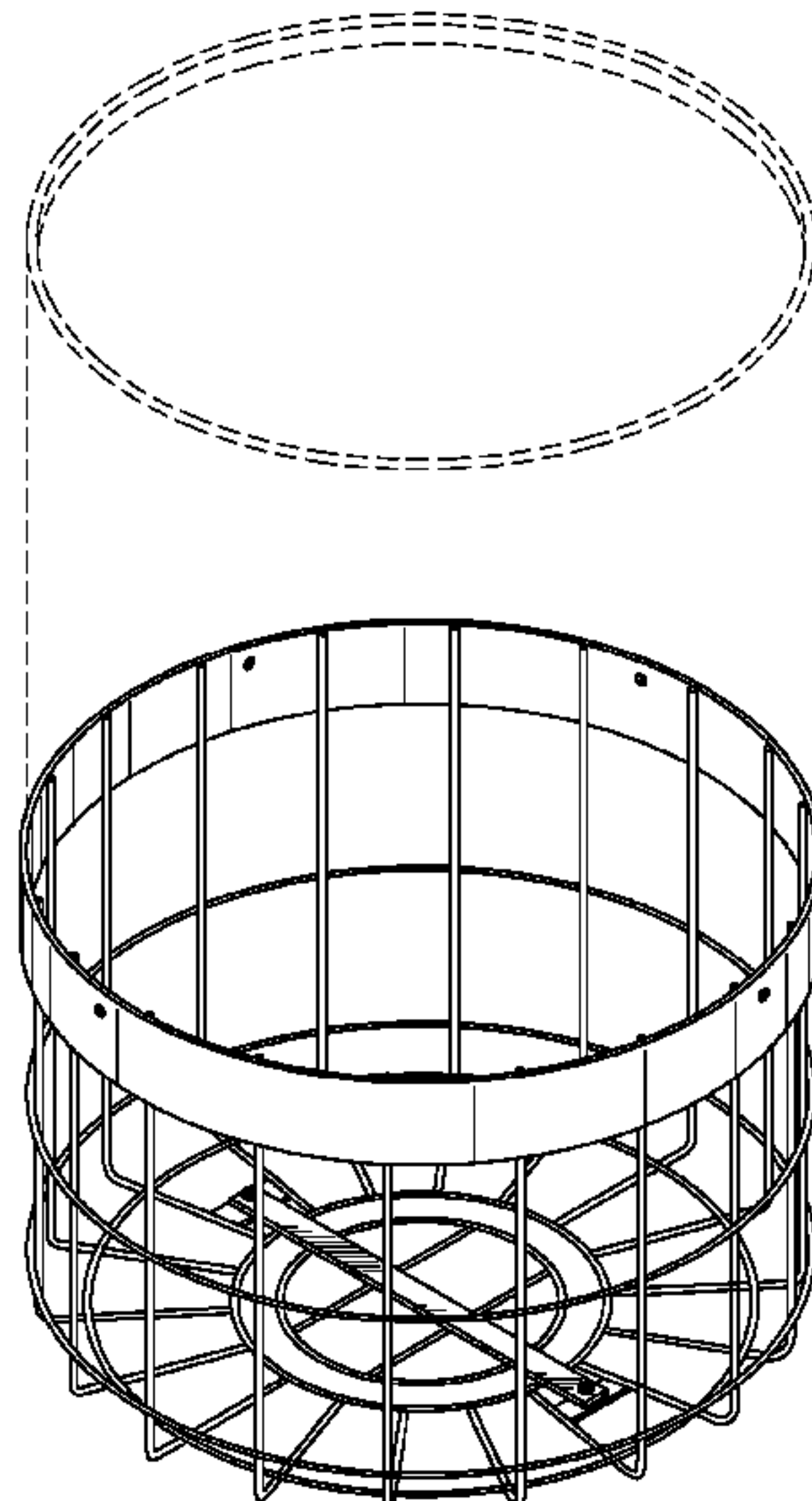
(57) **CLAIM**

I claim the ornamental design for a wildlife feeder bear exclusion device, as shown and described.

**DESCRIPTION**

FIG. 1 is a front elevation view of the wildlife feeder bear exclusion device showing my new design;  
FIG. 2 is a rear elevation view thereof;  
FIG. 3 is a left side view thereof;  
FIG. 4 is a right side view thereof;  
FIG. 5 is a top plan view thereof;  
FIG. 6 is a bottom plan view thereof; and,  
FIG. 7 is a perspective view thereof.  
The broken lines depicting part of a barrel in FIG. 7 are for illustrative purposes only and form no part of the claimed design.

**1 Claim, 4 Drawing Sheets**



# US D638,174 S

Page 2

## U.S. PATENT DOCUMENTS

4,250,664	A *	2/1981	Remke	47/76	D398,084	S *	9/1998	Hartl	D30/121
D264,138	S *	4/1982	Harden	D30/131	5,868,098	A *	2/1999	Adams	119/60
4,372,351	A *	2/1983	Myers	140/112	6,045,314	A *	4/2000	Greene	414/24.5
4,403,447	A *	9/1983	Braun	47/76	6,202,348	B1 *	3/2001	Reiger	47/78
D279,278	S *	6/1985	Pink	D11/143	D447,305	S *	8/2001	Hughes	D34/1
4,604,825	A *	8/1986	Mainprice	47/76	6,550,422	B2 *	4/2003	Plymell	119/61.1
4,706,609	A *	11/1987	Delichte	119/60	6,672,247	B1 *	1/2004	Lienemann	119/60
D293,948	S *	1/1988	DePew	D30/131	6,789,505	B1 *	9/2004	Lienemann	119/60
4,957,067	A *	9/1990	Akins	119/60	6,951,189	B1 *	10/2005	Lienemann	119/60
D311,666	S *	10/1990	Burke	D8/1	7,340,859	B2 *	3/2008	Palsrok	47/39
5,025,590	A *	6/1991	Smith	47/76	7,353,635	B2 *	4/2008	Westrate	47/76
D322,232	S *	12/1991	Brinkerhoff	D11/143	7,473,066	B2 *	1/2009	Burkhardt	414/24.5
5,090,157	A *	2/1992	Sipala	47/76	7,717,660	B1 *	5/2010	Burkhardt	414/24.5
5,158,040	A *	10/1992	Martin	119/58	D619,362	S *	7/2010	Hertaus	D3/306
5,311,840	A *	5/1994	Rumbaugh	119/60	D620,710	S *	8/2010	Hertaus	D3/306
5,323,559	A *	6/1994	Allman	47/45	D620,711	S *	8/2010	Hertaus	D3/306
5,337,699	A *	8/1994	Dyson	119/60	D621,295	S *	8/2010	Skalka	D11/152
D353,250	S *	12/1994	Skalka	D34/1	D622,961	S *	9/2010	Hertaus	D3/306
D361,648	S *	8/1995	Charboneau	D30/121	7,856,943	B2 *	12/2010	Lienemann	119/60
5,465,684	A *	11/1995	Dyson	119/60	D631,301	S *	1/2011	Goodman et al.	D7/602
5,522,345	A *	6/1996	Payne	119/60	D633,755	S *	3/2011	Guindi	D7/628
5,582,131	A *	12/1996	Curtis	119/51.11	2006/0288945	A1 *	12/2006	Jackson et al.	119/60
D378,287	S *	3/1997	Alligood	D11/143	2009/0283045	A1 *	11/2009	Rutkowski	119/51.01
D397,361	S *	8/1998	Goodman et al.	D19/85					

\* cited by examiner

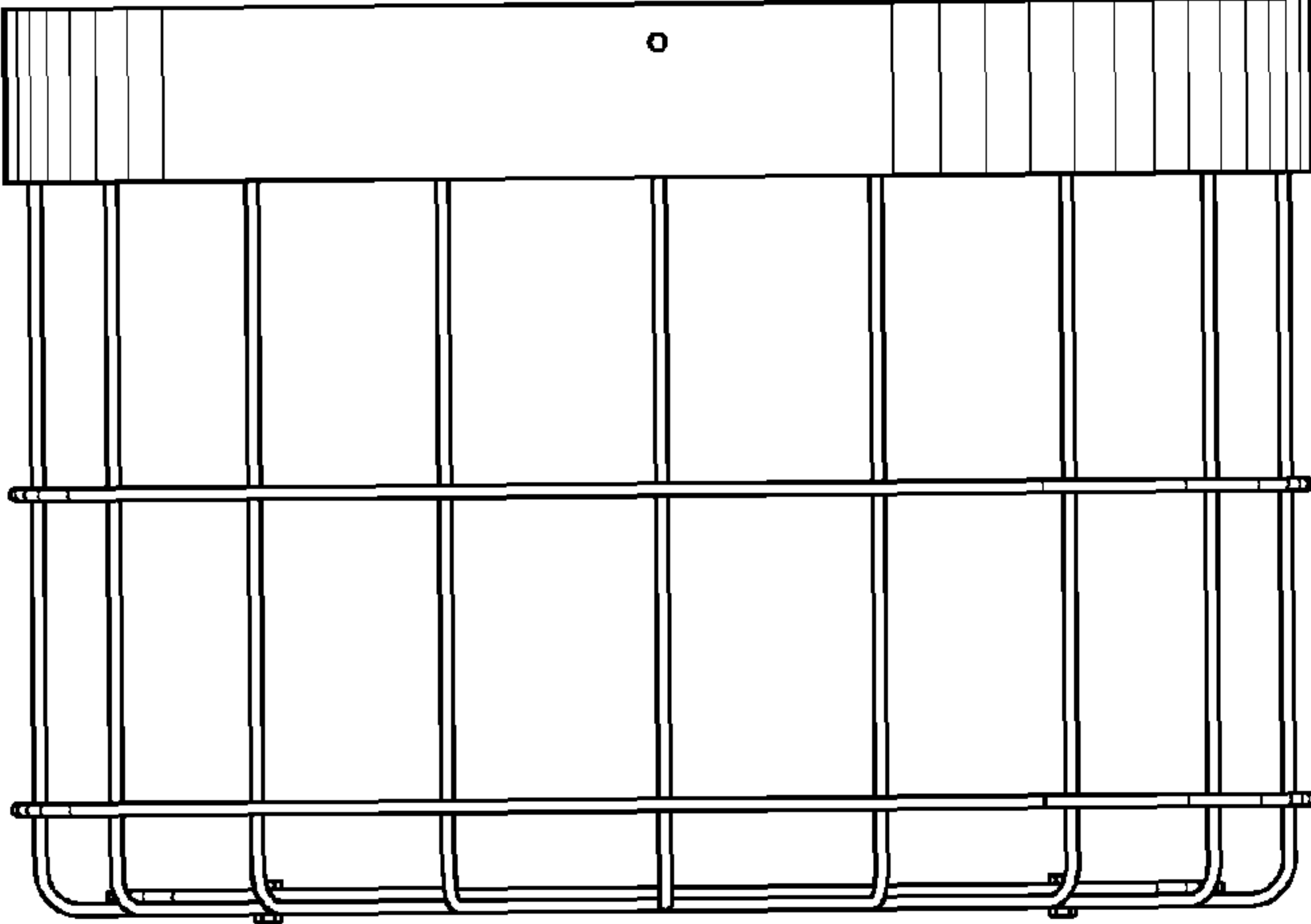


FIG. 1

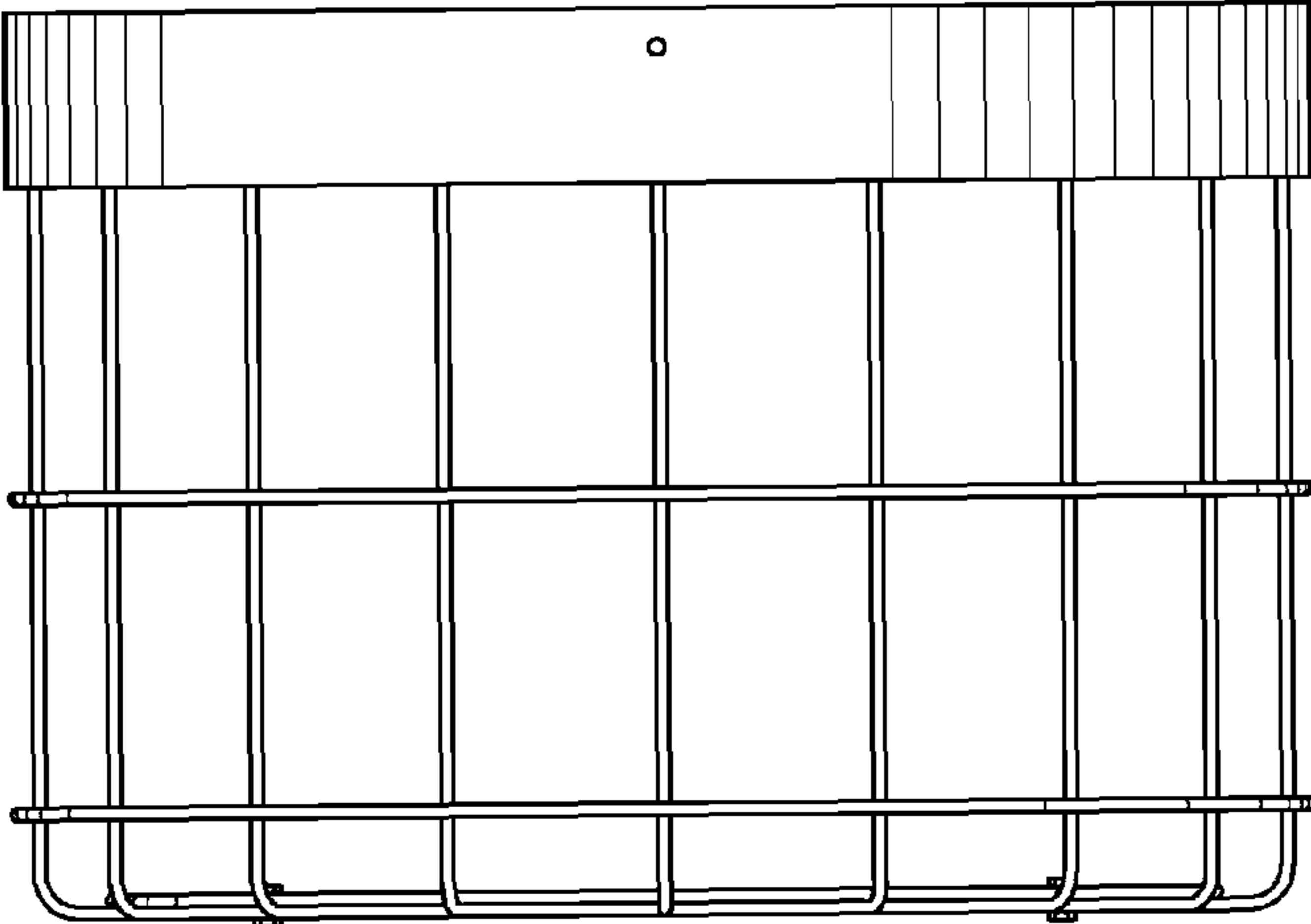


FIG. 2

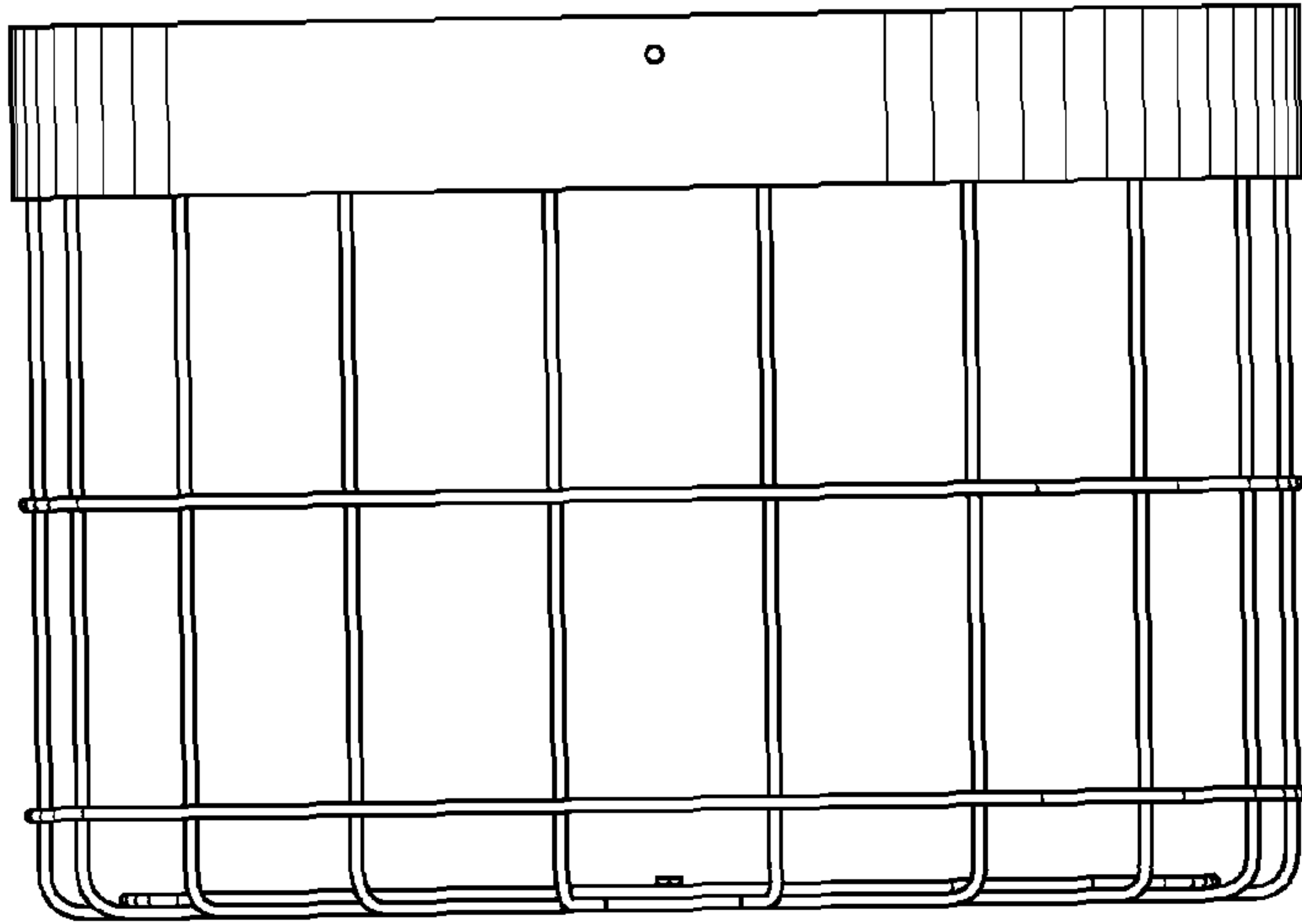


FIG. 3

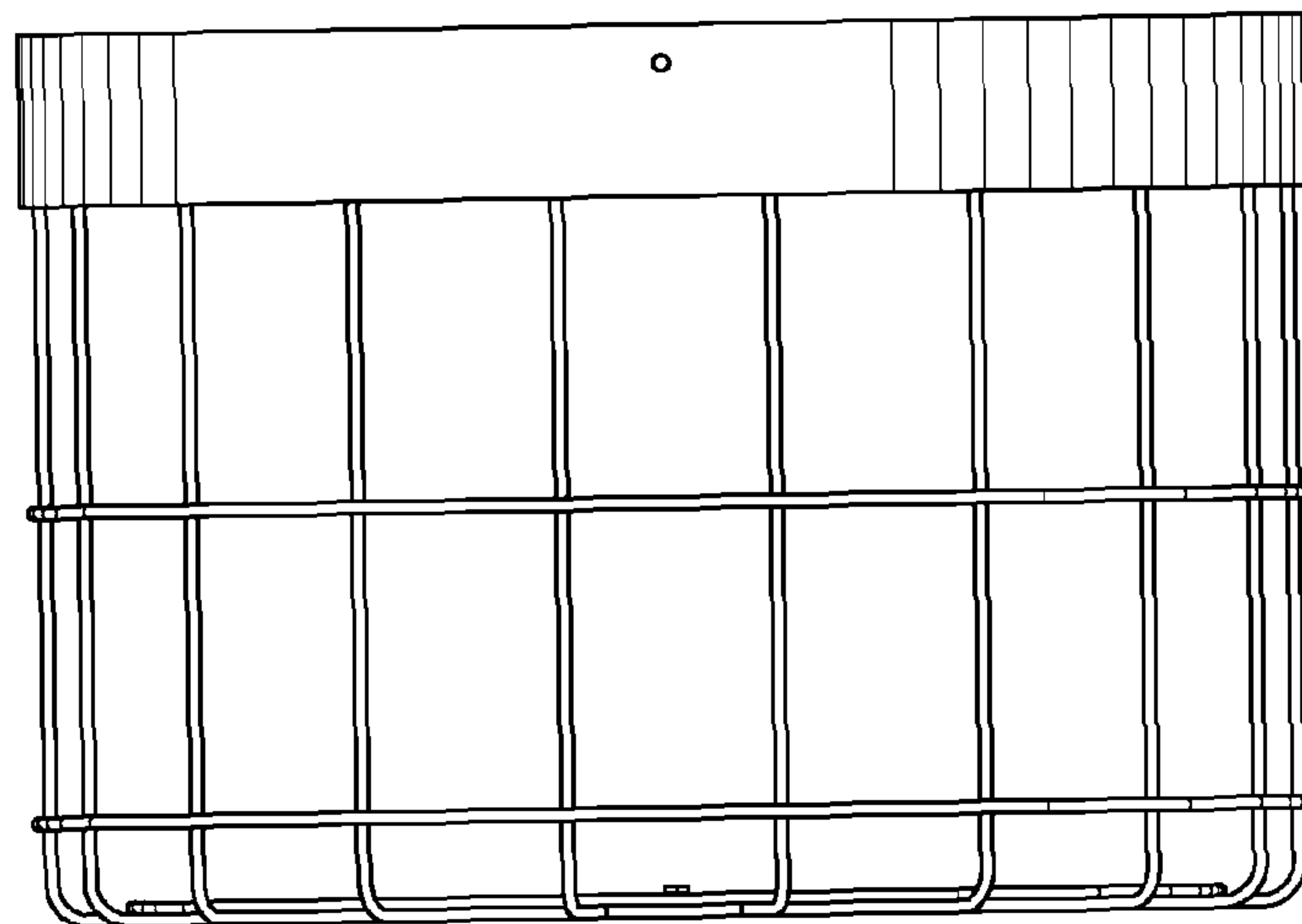


FIG. 4



FIG. 5

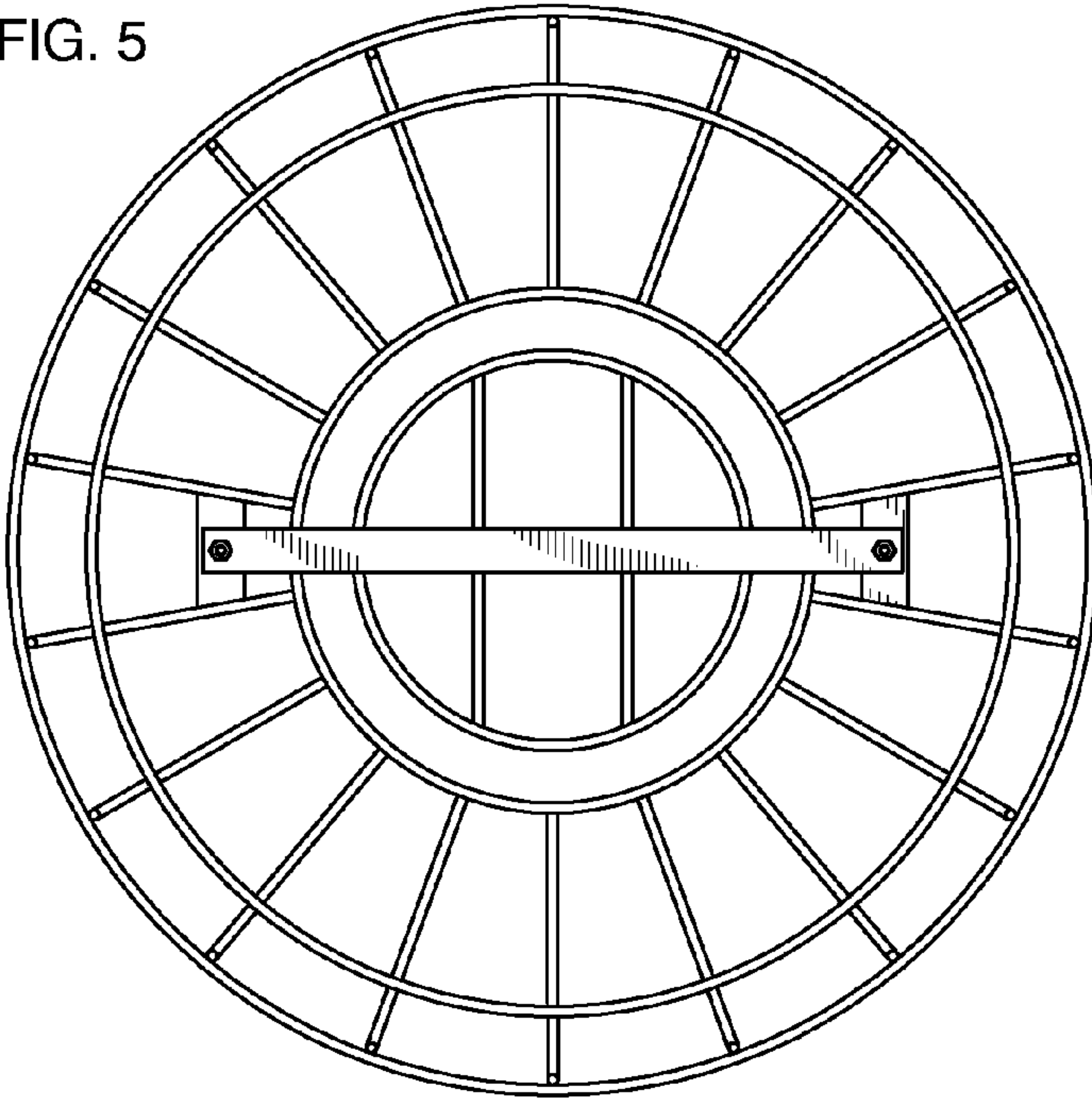


FIG. 6

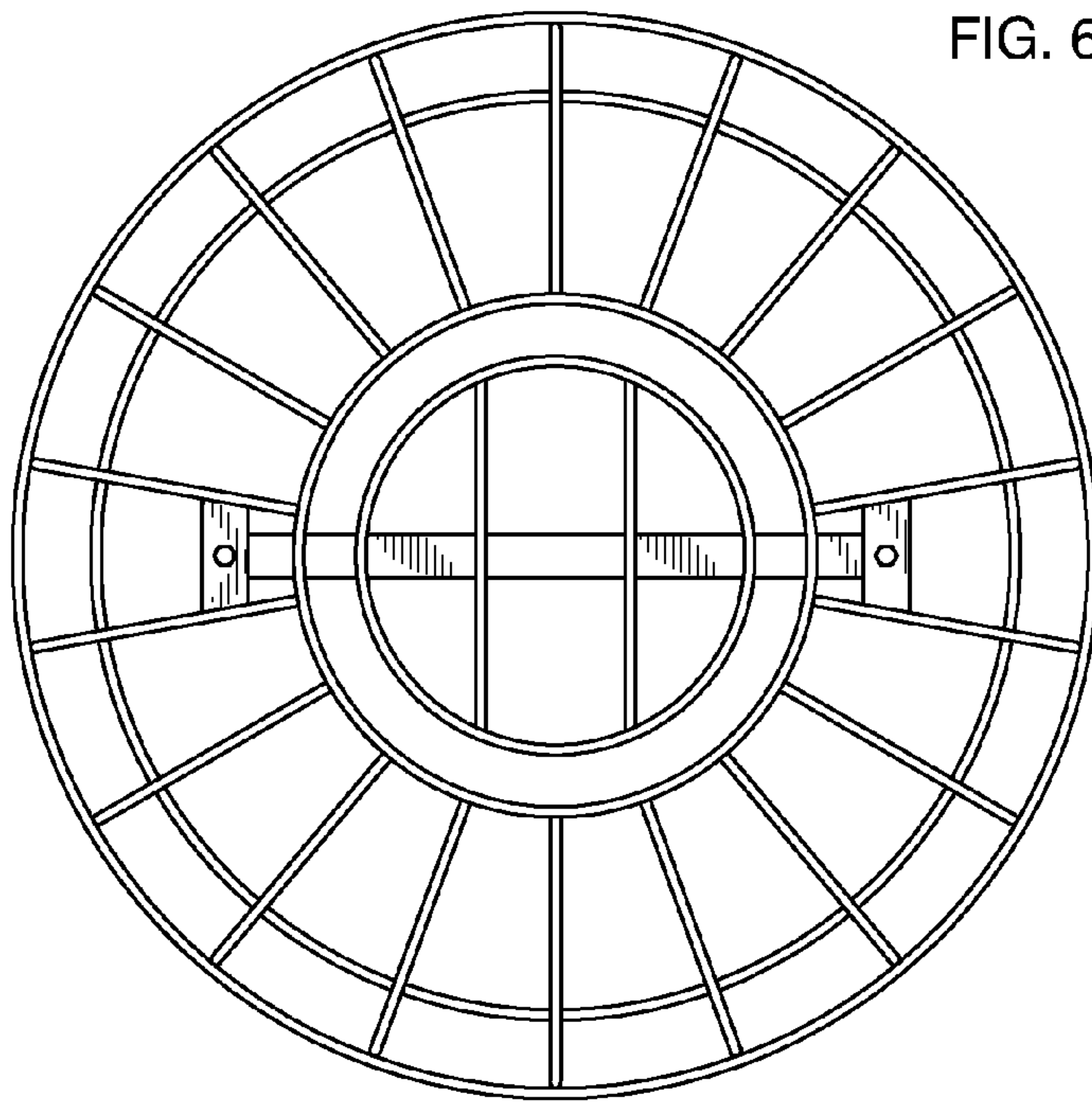


FIG. 7

