



US00D638172S

(12) **United States Design Patent**  
**Lebel et al.**

(10) **Patent No.:** **US D638,172 S**  
(45) **Date of Patent:** **\*\* May 17, 2011**

(54) **HELMET JAW GUARD**

(75) Inventors: **Stéphane Lebel**, Saint-Rédempteur (CA); **Marie-Pierre Gendron**, Châteauguay (CA); **Martin Bélanger**, Québec City (CA); **Richard Coomber**, Montréal (CA); **Stéphan Morency**, Montréal (CA)

(73) Assignee: **Revision Military Inc.**, Montreal, Quebec (CA)

(\*\*) Term: **14 Years**

(21) Appl. No.: **29/342,928**

(22) Filed: **Sep. 3, 2009**

(51) **LOC (9) Cl.** ..... **02-03**

(52) **U.S. Cl.** ..... **D29/122**

(58) **Field of Classification Search** ..... D29/102-107, D29/109, 111, 122; 2/6.1, 6.3, 6.5, 6.7, 414, 2/421-425, 427, 468, 209.13, 175.6, 184.5, 2/10; D2/882, 886, 893

See application file for complete search history.

(56) **References Cited**

U.S. PATENT DOCUMENTS

D207,900	S	*	6/1967	Feldmann et al.	.....	D29/105
D268,220	S	*	3/1983	Gooding	.....	D29/105
D283,940	S	*	5/1986	Bally	.....	D29/107
6,289,521	B1	*	9/2001	Ikeda	.....	2/421
6,363,528	B1		4/2002	Cyr		
6,381,749	B1		5/2002	Cyr		
D510,644	S	*	10/2005	Batstone	.....	D29/107

7,024,704	B2	*	4/2006	Gafforio et al.	.....	2/424
D521,688	S	*	5/2006	Makris et al.	.....	D29/107
D527,847	S	*	9/2006	Broersma	.....	D29/105
D536,833	S	*	2/2007	Broersma	.....	D29/107
D556,384	S		11/2007	Dupuis		
D556,386	S	*	11/2007	Lee	.....	D29/122
7,555,788	B2	*	7/2009	Schimpf	.....	2/6.5
D601,308	S	*	9/2009	Broersma	.....	D29/122
2002/0148033	A1	*	10/2002	Dufresne	.....	2/424
2007/0083967	A1		4/2007	Crossman et al.		
2007/0250993	A1	*	11/2007	Schimpf	.....	2/424
2008/0086795	A1		4/2008	Cyr et al.		
2009/0144872	A1	*	6/2009	Lebel et al.	.....	2/6.7
2009/0229043	A1	*	9/2009	Cyr	.....	2/422

\* cited by examiner

Primary Examiner — Ruth McInroy

(74) *Attorney, Agent, or Firm* — Erickson Law Group, PC

(57) **CLAIM**

We claim the ornamental design for a helmet jaw guard, as shown and described.

**DESCRIPTION**

FIG. 1 is a perspective view of a helmet jaw guard; FIG. 2 is a right side view of the helmet jaw guard; FIG. 3 is a left side view of the helmet jaw guard; FIG. 4 is a rear view of the helmet jaw guard; FIG. 5 is a front view of the helmet jaw guard; FIG. 6 is a top view of the helmet jaw guard; FIG. 7 is a bottom view of the helmet jaw guard; and, FIG. 8 is a perspective view thereof; the helmet shown in broken lines forms no part of the claimed design.

**1 Claim, 8 Drawing Sheets**

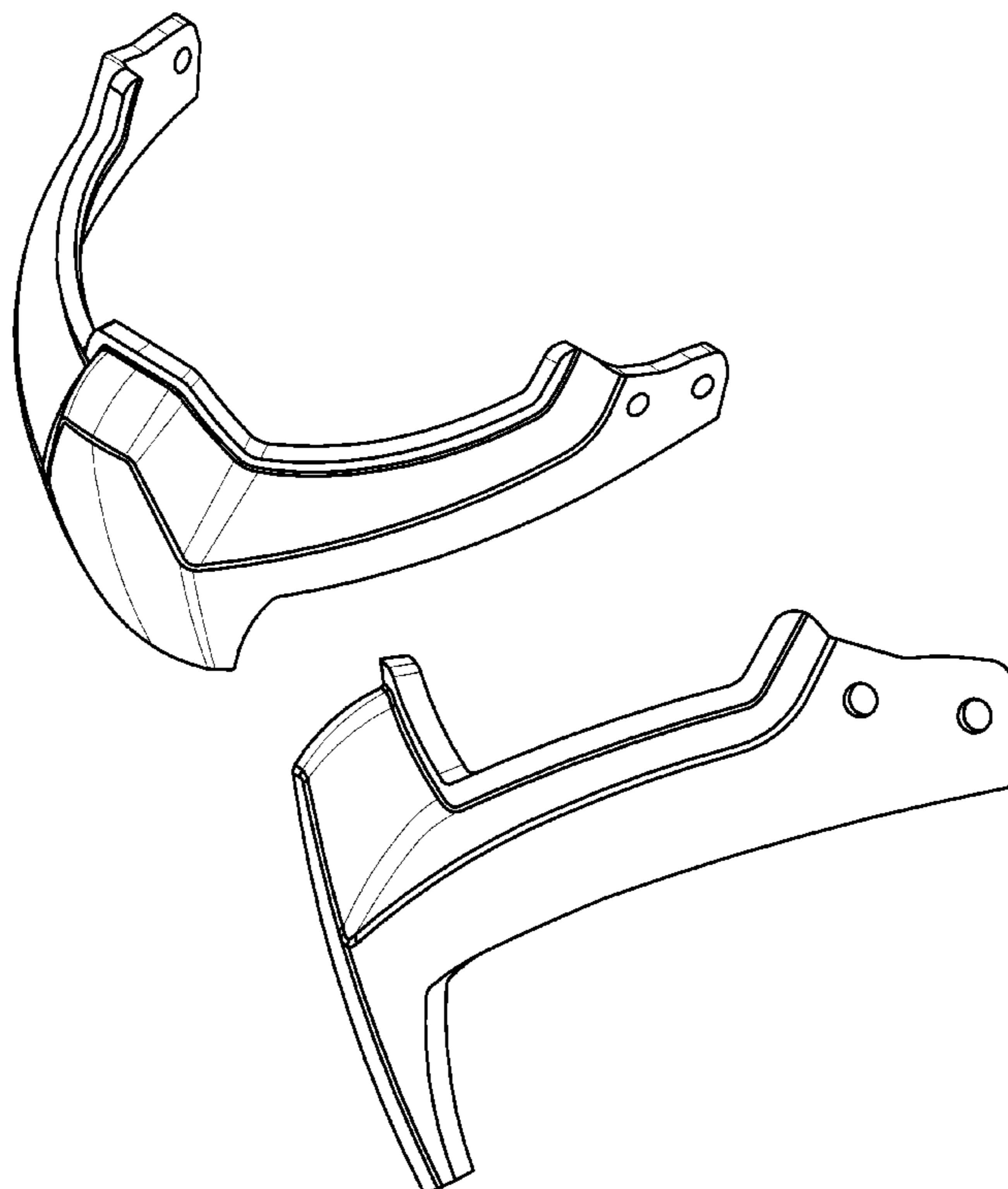


FIG. 1

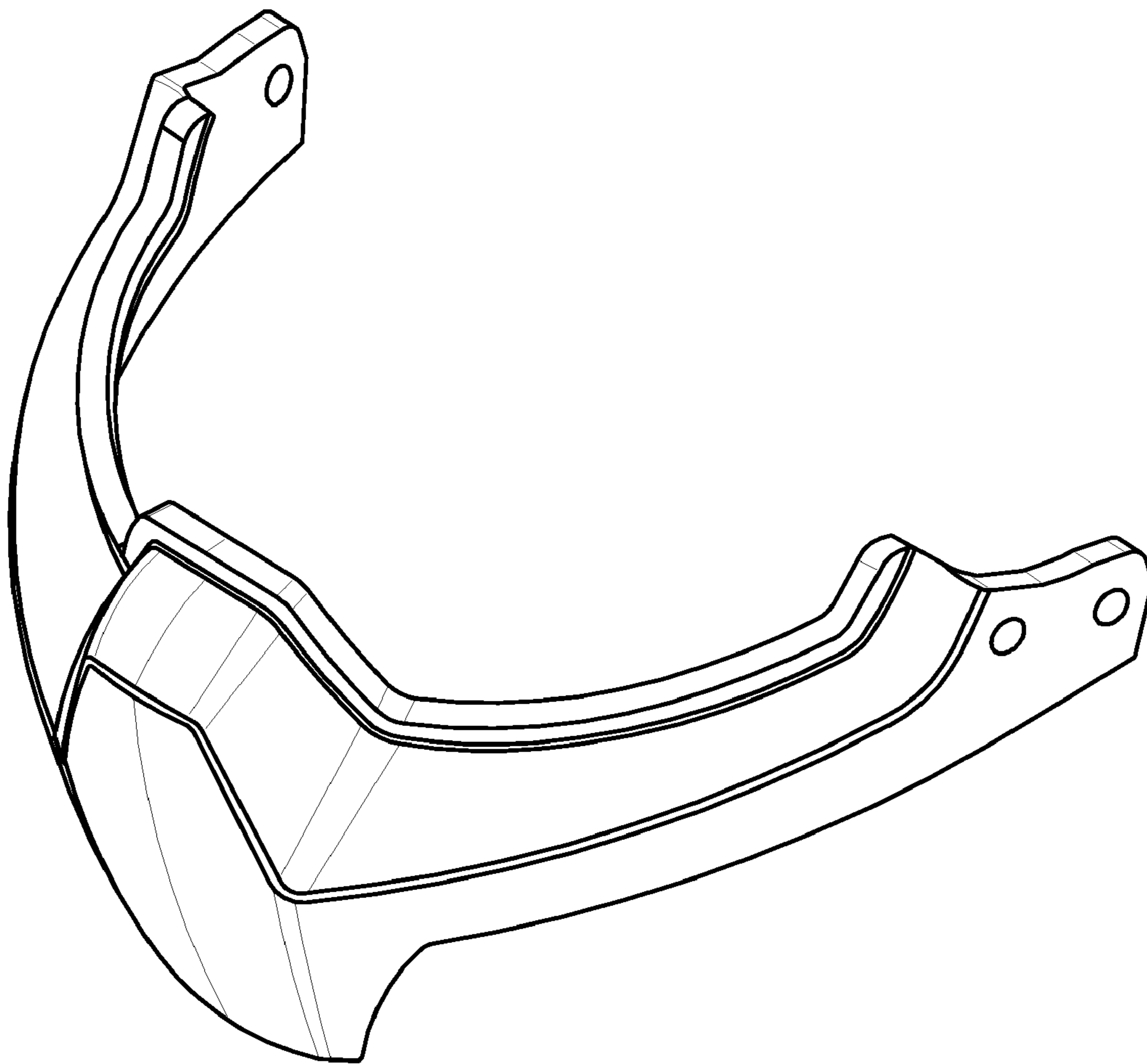


FIG. 2

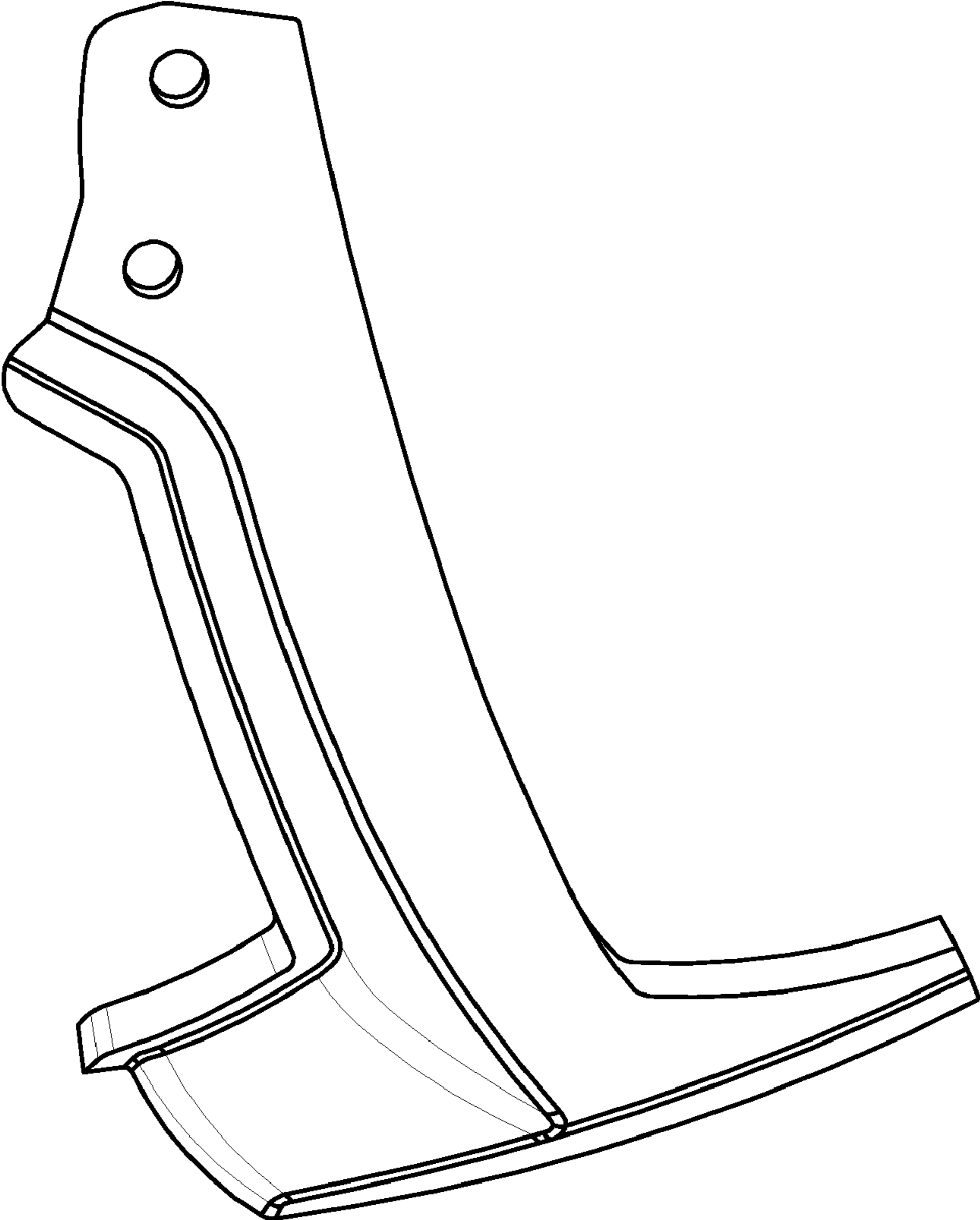


FIG. 3

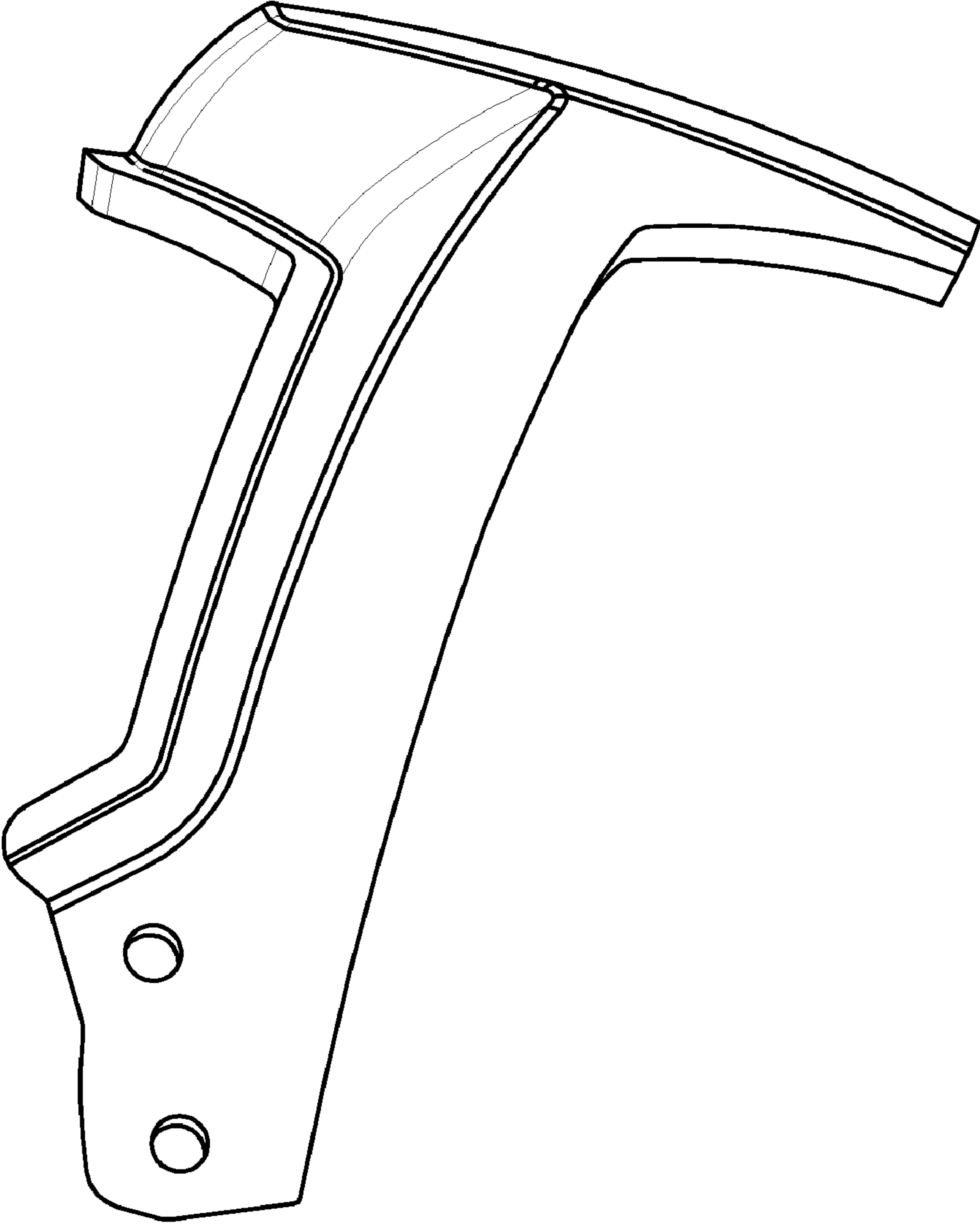


FIG. 4

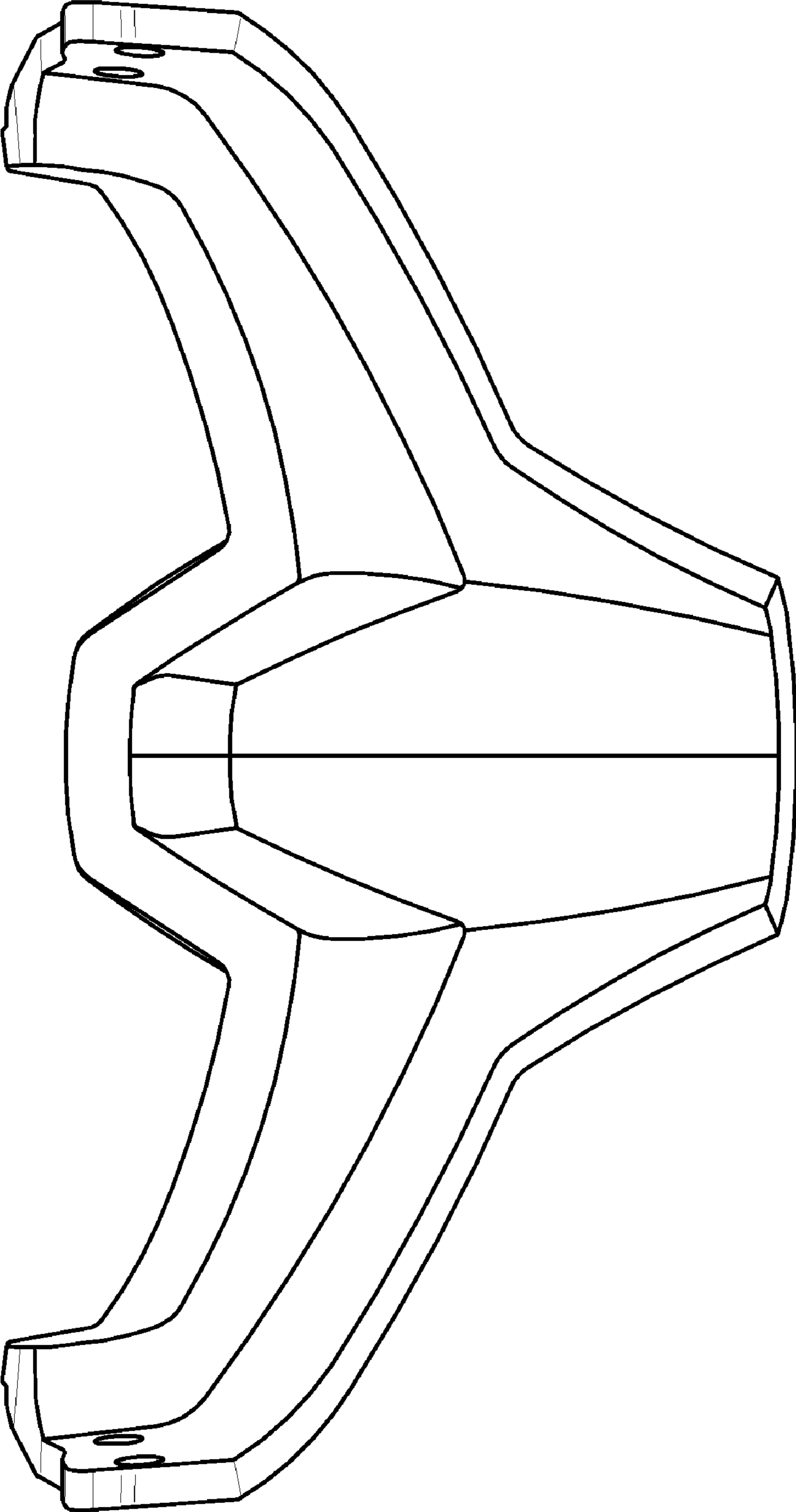


FIG. 5

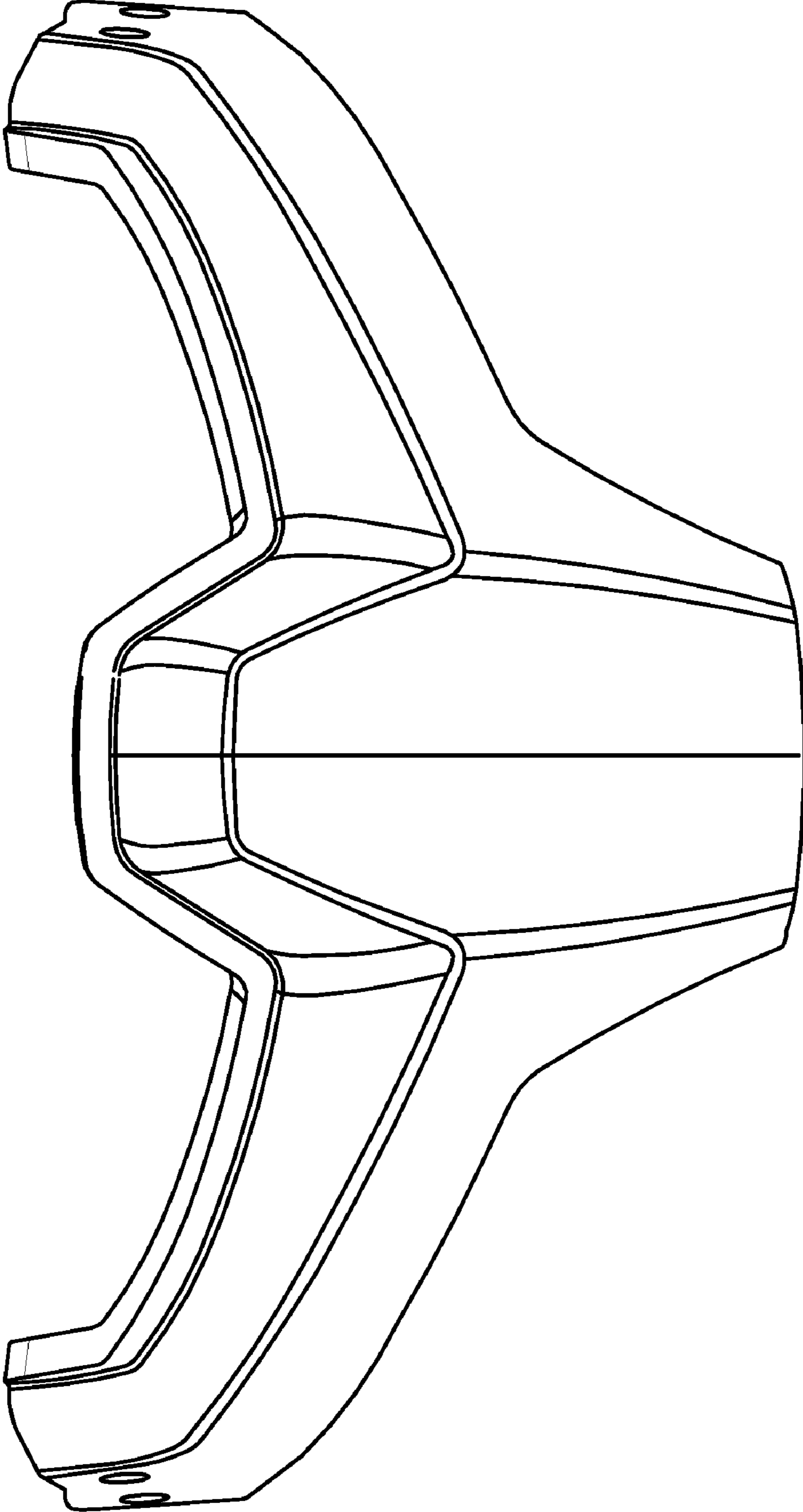


FIG. 6

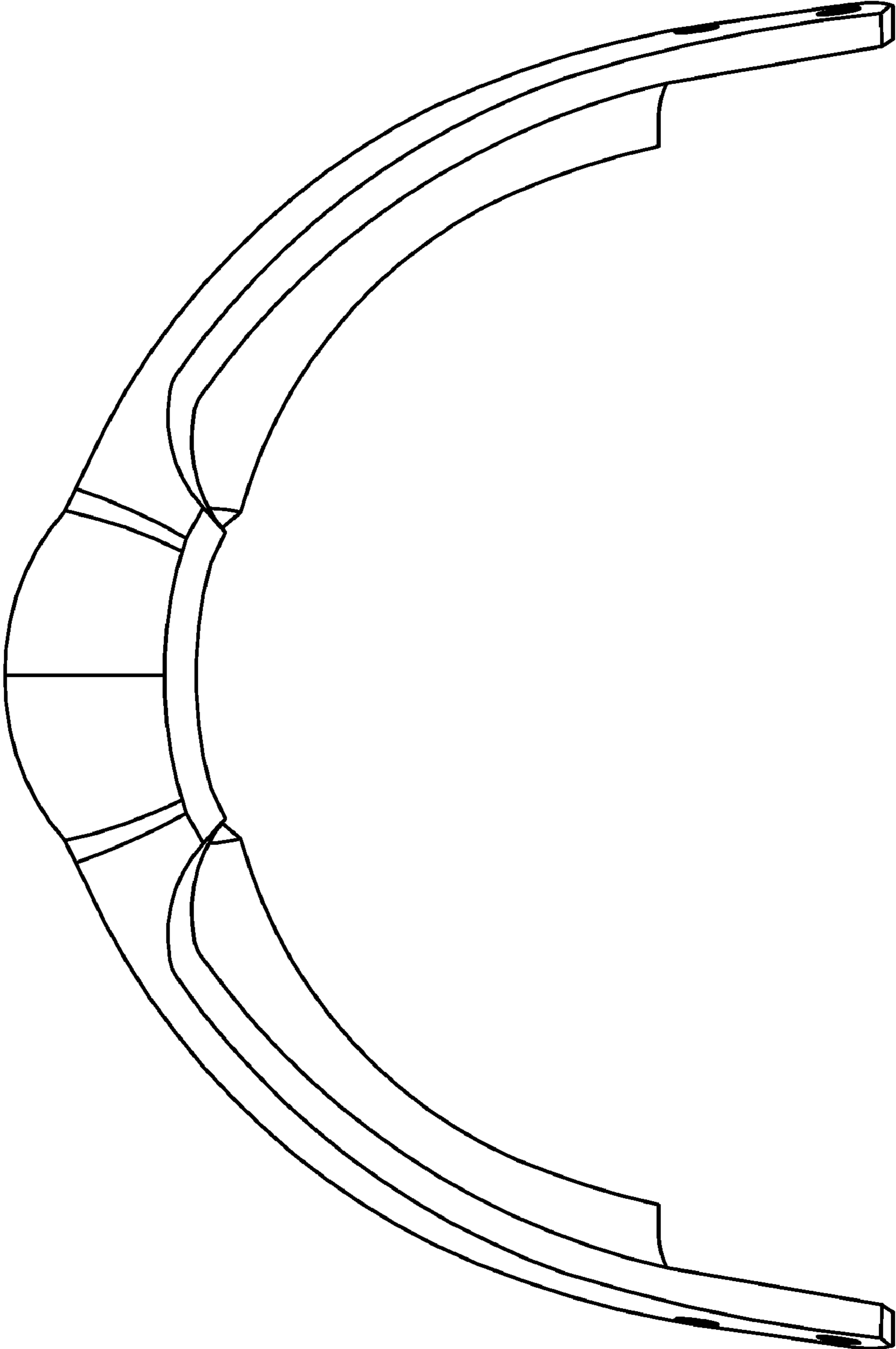


FIG. 7

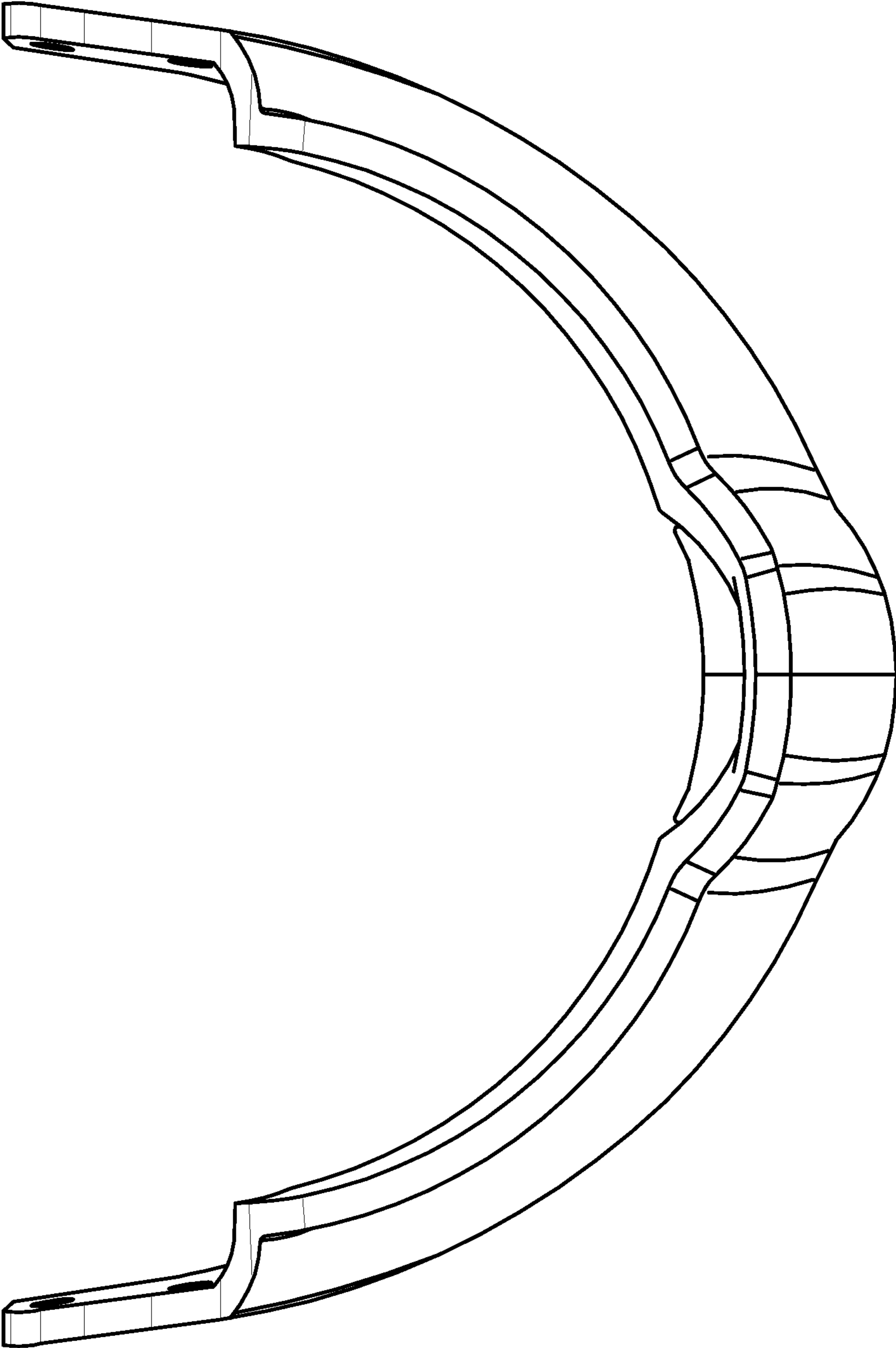




FIG. 8

