

US00D638162S

(12) **United States Design Patent**
Nevins

(10) **Patent No.:** **US D638,162 S**

(45) **Date of Patent:** **** May 17, 2011**

(54) **LIGHT FIXTURE REFLECTOR**

(76) Inventor: **Michael Olen Nevins**, Jackson, MI (US)

(**) Term: **14 Years**

(21) Appl. No.: **29/375,965**

(22) Filed: **Sep. 30, 2010**

D435,289	S	*	12/2000	Liu	D23/411
D446,323	S	*	8/2001	Hurayt	D26/28
D467,030	S	*	12/2002	Gaskins et al.	D26/123
6,575,613	B2	*	6/2003	Brown et al.	362/565
D493,117	S	*	7/2004	Huang	D10/114
D518,205	S	*	3/2006	Phillips et al.	D26/28
D519,656	S	*	4/2006	Howser	D26/28
7,108,238	B2	*	9/2006	Gauci	248/221.11
D556,618	S	*	12/2007	Campagna	D10/114
D556,924	S	*	12/2007	Peng	D26/28
D558,374	S	*	12/2007	Sandell	D26/71

(Continued)

Related U.S. Application Data

(63) Continuation of application No. 12/774,551, filed on May 5, 2010.

(51) **LOC (9) Cl.** **26-99**

(52) **U.S. Cl.** **D26/118**

(58) **Field of Classification Search** D26/85, D26/133, 134, 136, 122, 138, 118, 131, 137, D26/124, 69, 68, 67, 71, 125, 149, 147, 156, D26/94, 73, 32, 47, 57, 152, 74, 142, 2, 52, D26/72, 113, 140, 60, 51, 38, 135, 119, 120, D26/121, 123; D8/71, 72, 395, 328; D19/65, D19/90; 248/206.5, 389, 229.13, 229.15; D32/8, 55, 58; 211/106, 119.01, 119.09, 211/85.15; 439/540.1; 362/183, 249.01–249.11, 362/356, 365, 523, 190, 191, 351, 352, 357, 362/358; D24/99, 327, 134, 227; D2/624; 24/316, 306, 339, 3.1, 3.11, 3.12; D6/557, D6/462; 52/19, 28; 8/38; D14/511, 496
See application file for complete search history.

Primary Examiner — Cathron C Brooks

Assistant Examiner — Kevin K Rudzinski

(74) *Attorney, Agent, or Firm* — Lowe Hauptman Ham & Berner, LLP

(57) **CLAIM**

The ornamental design for a light fixture reflector, as shown and described.

DESCRIPTION

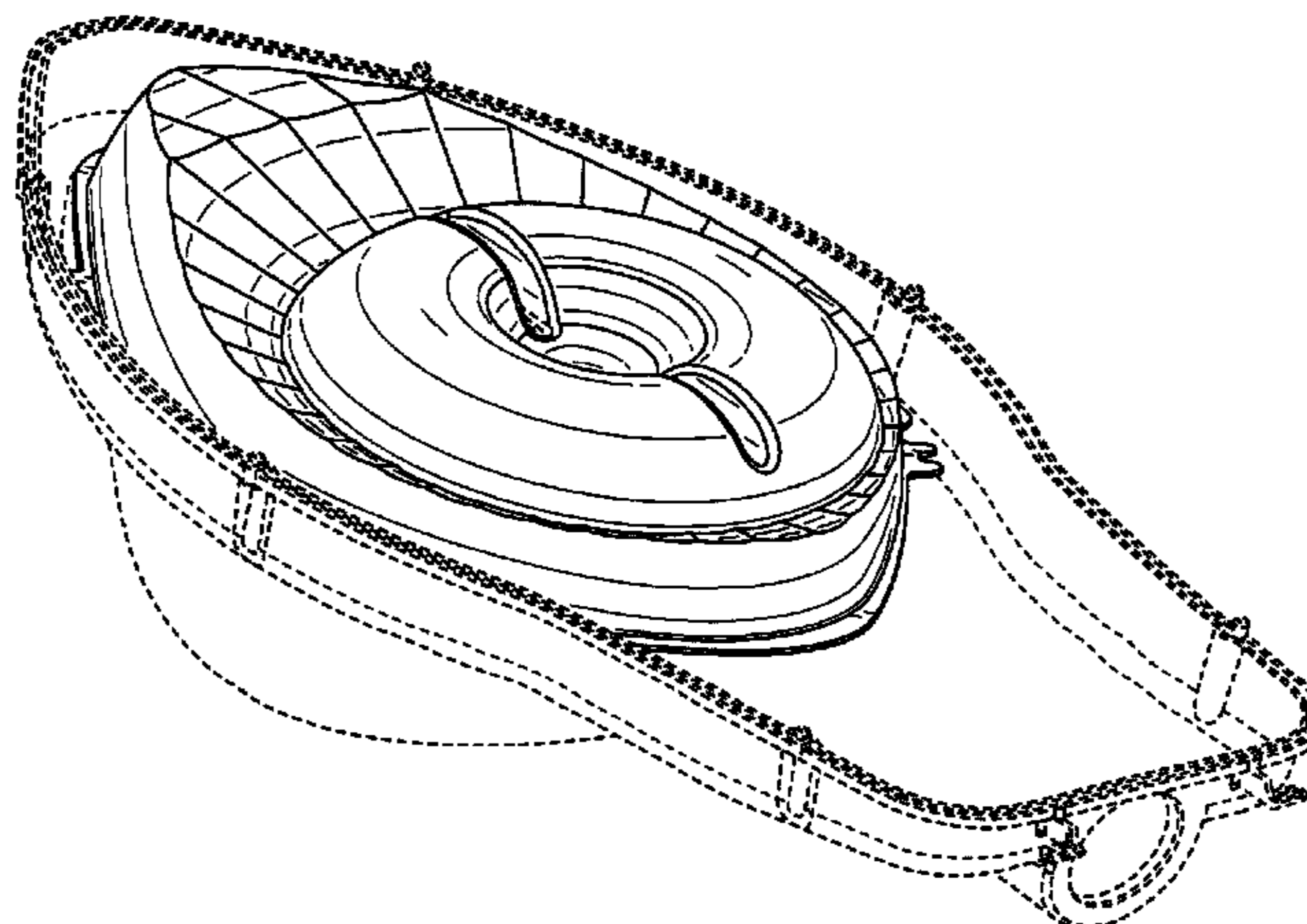
The present application is related to U.S. Design applications, filed concurrently herewith, application Ser. No. 29/375,963, entitled "Light Fixture" and application Ser. No. 29/375,966 entitled "Light Fixture Lens", having the same inventor, and which are incorporated herein by reference in their entirety. FIG. 1 is a perspective view of the light fixture reflector; FIG. 2 is another perspective view of the light fixture reflector; FIG. 3 is a bottom view of the light fixture reflector as used in a light fixture; FIG. 4 is a top perspective view of the light fixture reflector; FIG. 5 is a rear view of the light fixture reflector; FIG. 6 is a front view of the light fixture reflector; FIG. 7 is a top view of the light fixture reflector; and, FIG. 8 is a bottom view of the light fixture reflector. The broken lines in the drawings show environmental structure and form no part of the claimed design.

(56) **References Cited**

U.S. PATENT DOCUMENTS

D126,993	S	*	5/1941	Trautner	D26/36
D190,606	S	*	6/1961	Angier	D10/113
D200,118	S	*	1/1965	Van Steenhoven	D26/71
D358,226	S	*	5/1995	Osteen et al.	D26/71
5,528,474	A	*	6/1996	Roney et al.	362/545
D418,620	S	*	1/2000	Grossman	D26/71
D420,302	S	*	2/2000	Barnhart	D10/113
6,042,251	A	*	3/2000	McCarthy et al.	362/308
D425,652	S	*	5/2000	Brok	D26/118

1 Claim, 8 Drawing Sheets



US D638,162 S

Page 2

U.S. PATENT DOCUMENTS

D563,574 S *	3/2008	Ino et al.	D26/28	D604,455 S *	11/2009	Chen et al.	D26/142
D564,124 S *	3/2008	Dickson	D26/85	D606,682 S *	12/2009	Chang	D26/28
D566,884 S *	4/2008	Lou	D26/118	D608,927 S *	1/2010	Hsu et al.	D26/71
7,396,146 B2 *	7/2008	Wang	362/294	D615,234 S *	5/2010	Oblak	D26/71
7,458,706 B1 *	12/2008	Liu et al.	362/373	D615,238 S *	5/2010	Kauffman et al.	D26/118
D590,986 S *	4/2009	Ranger et al.	D26/122	2009/0103300 A1 *	4/2009	Chang	362/249.02
D591,892 S *	5/2009	Gill	D26/71	2009/0237934 A1 *	9/2009	Zeng et al.	362/249.03
D592,800 S *	5/2009	Li et al.	D26/142				

* cited by examiner

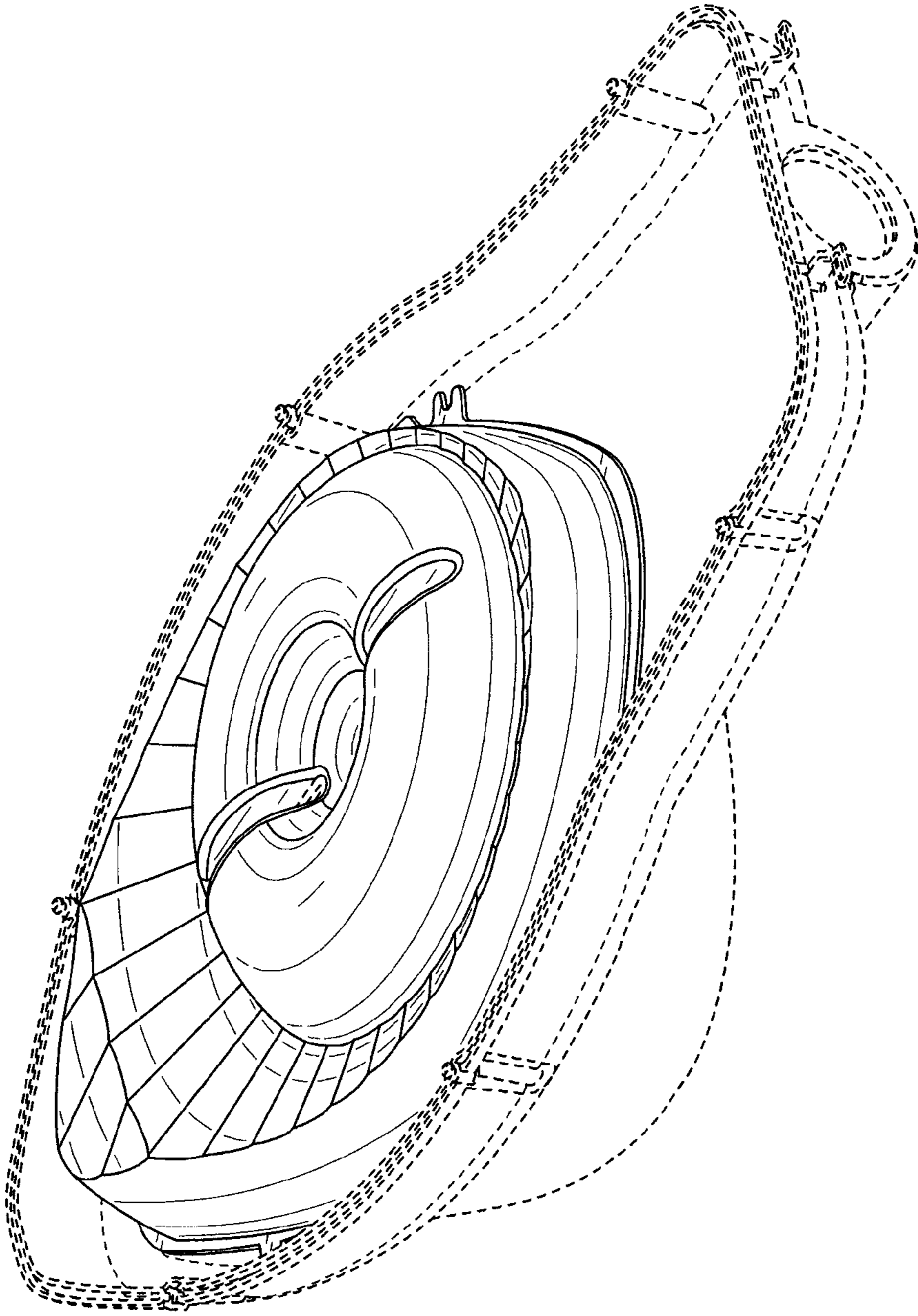


FIG. 1

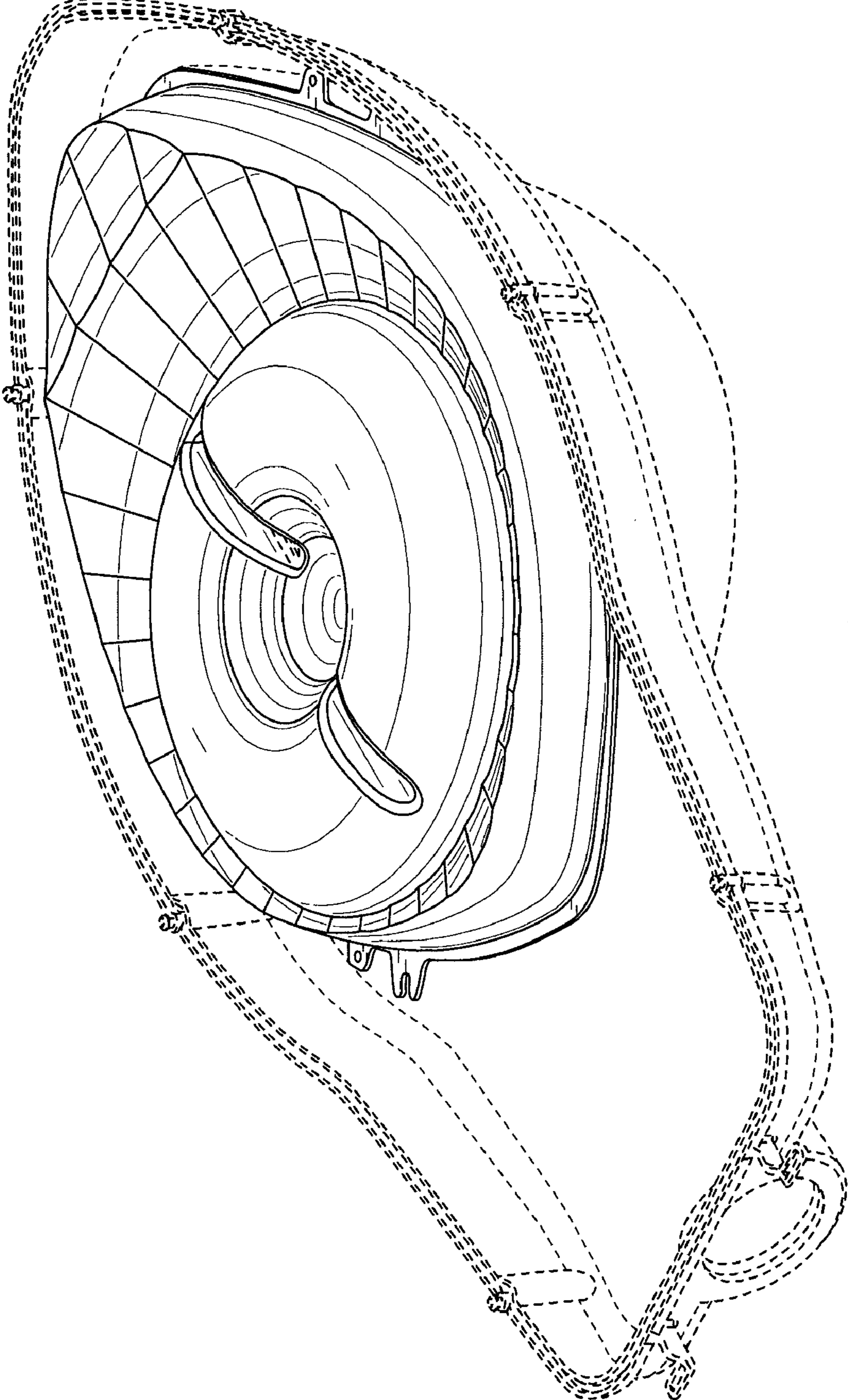


FIG. 2

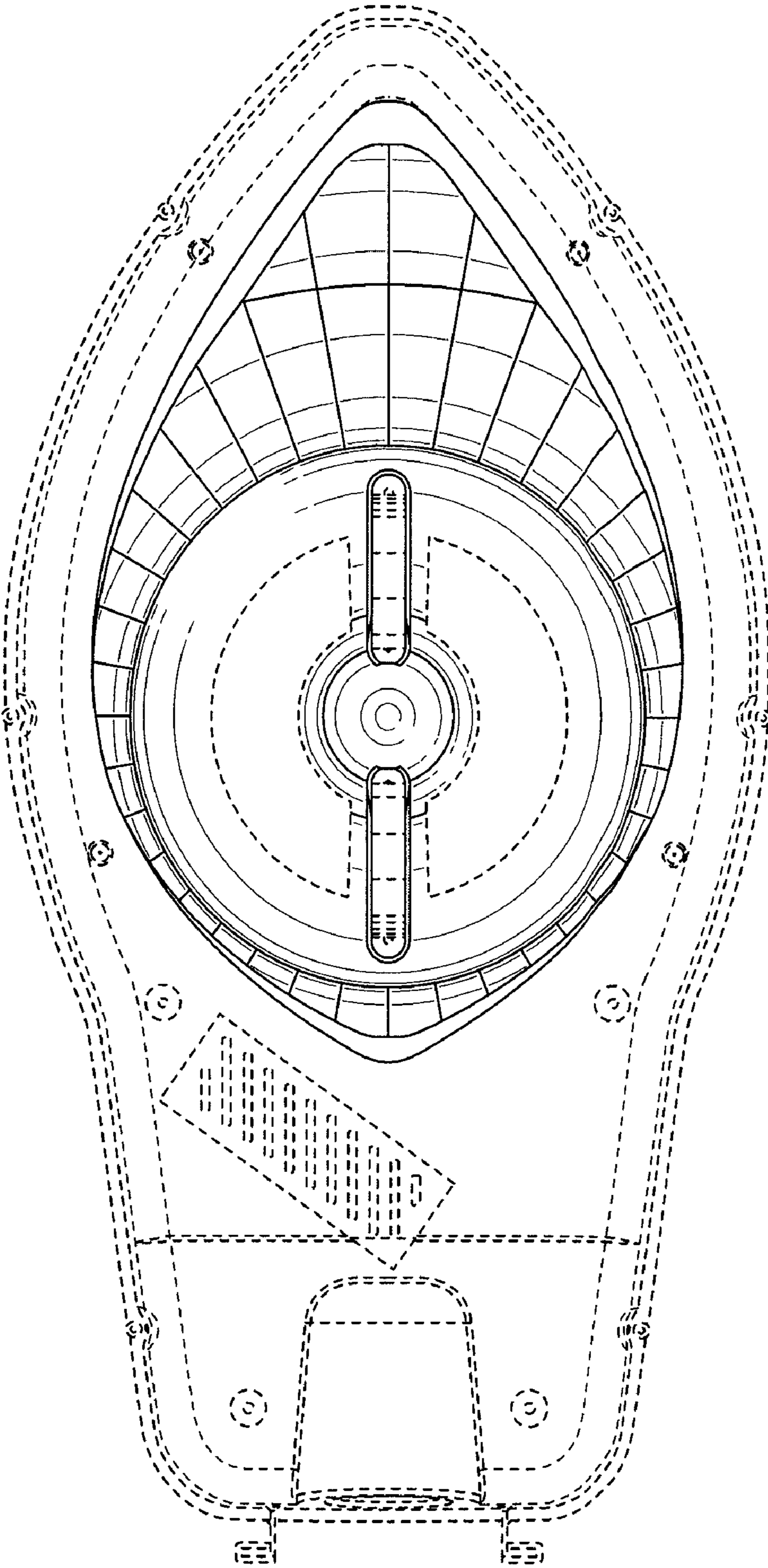


FIG. 3

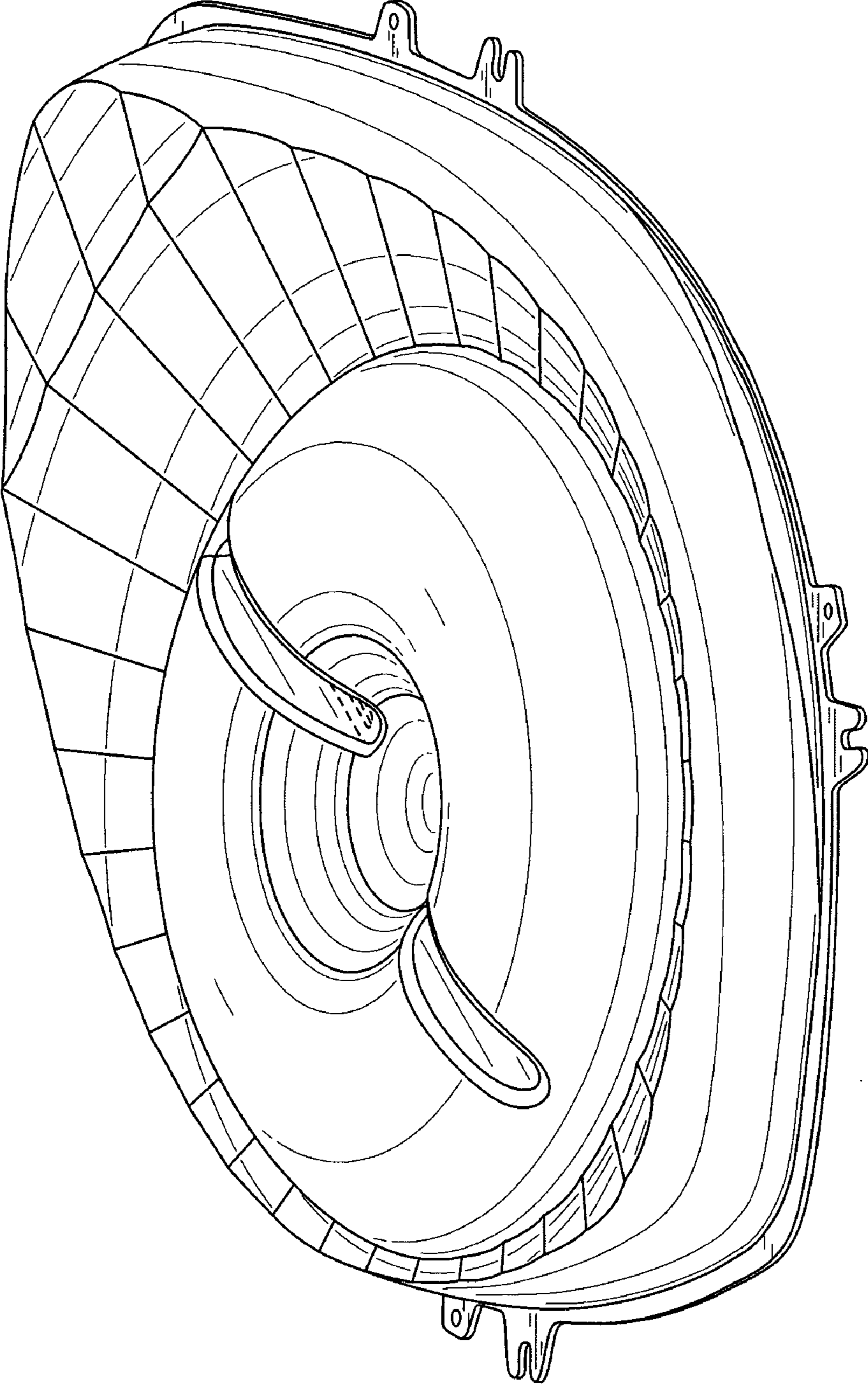


FIG. 4

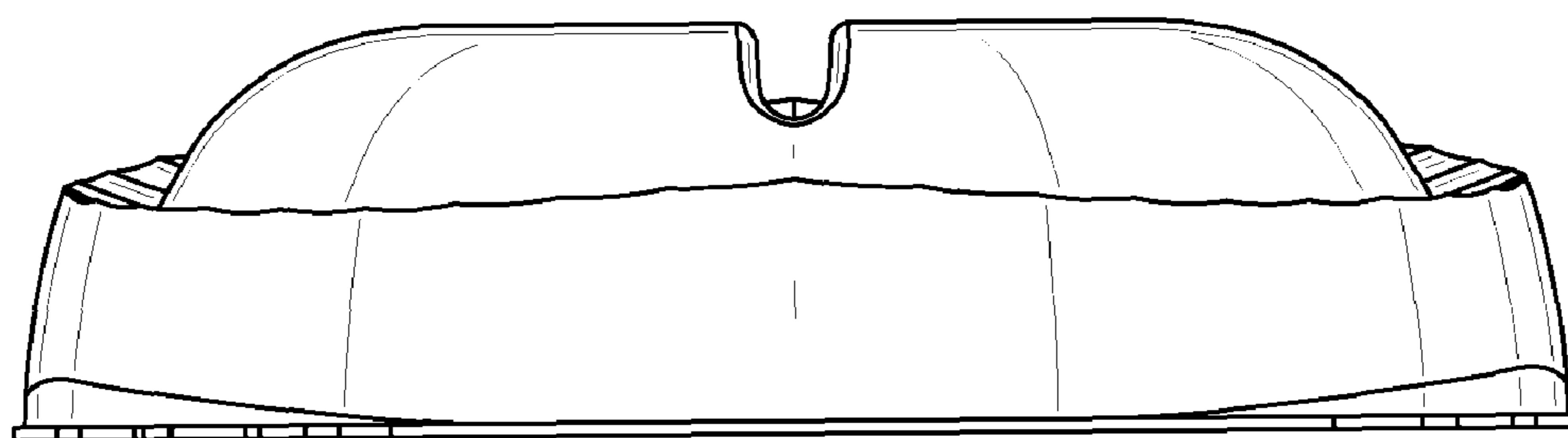


FIG. 5

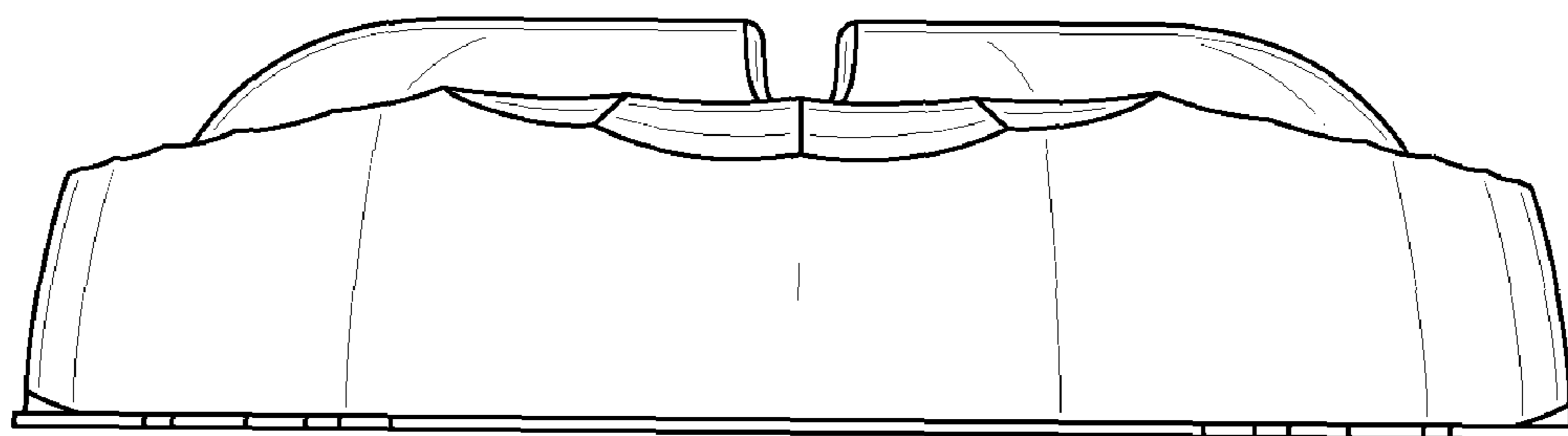


FIG. 6

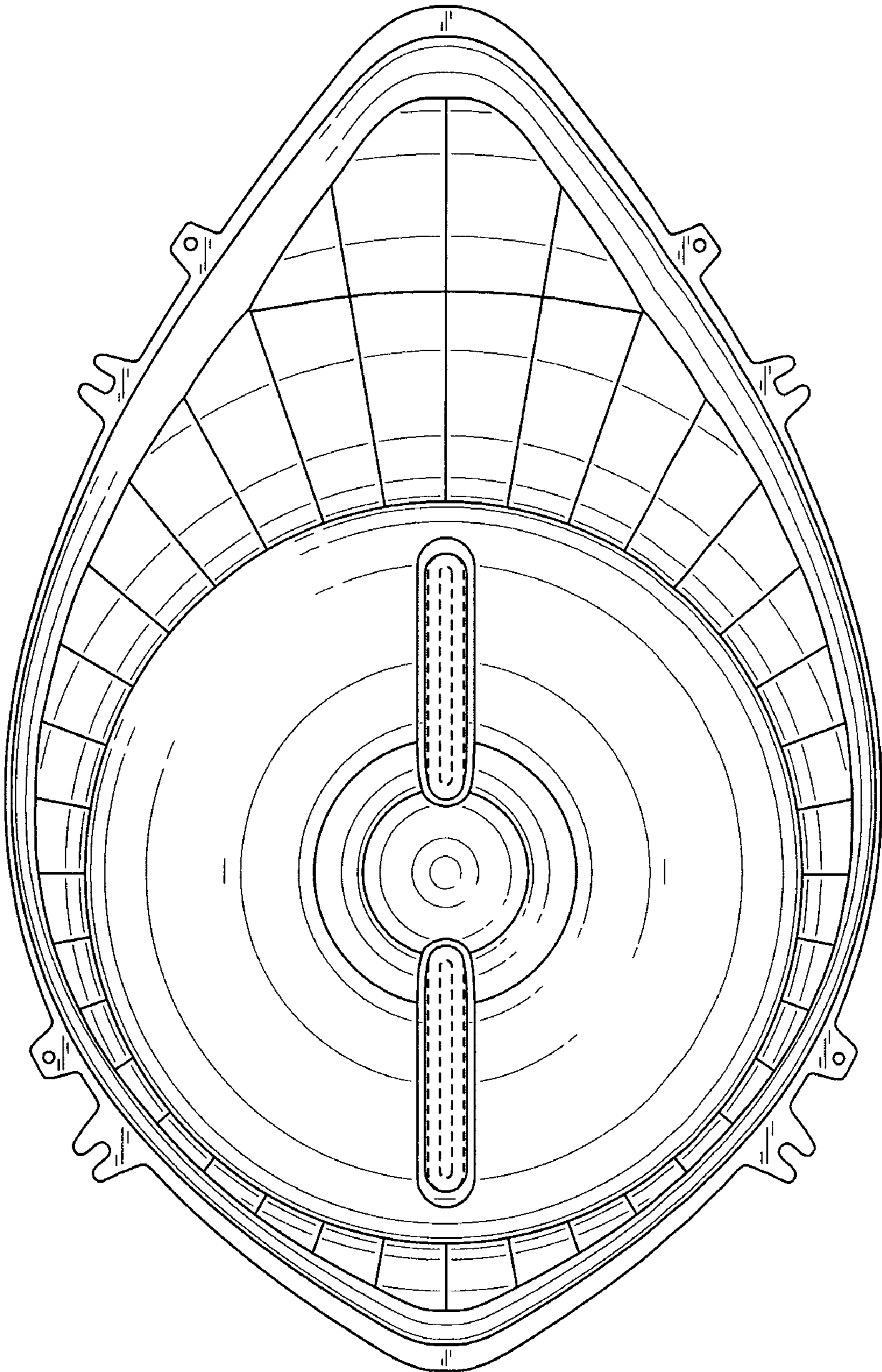


FIG. 7

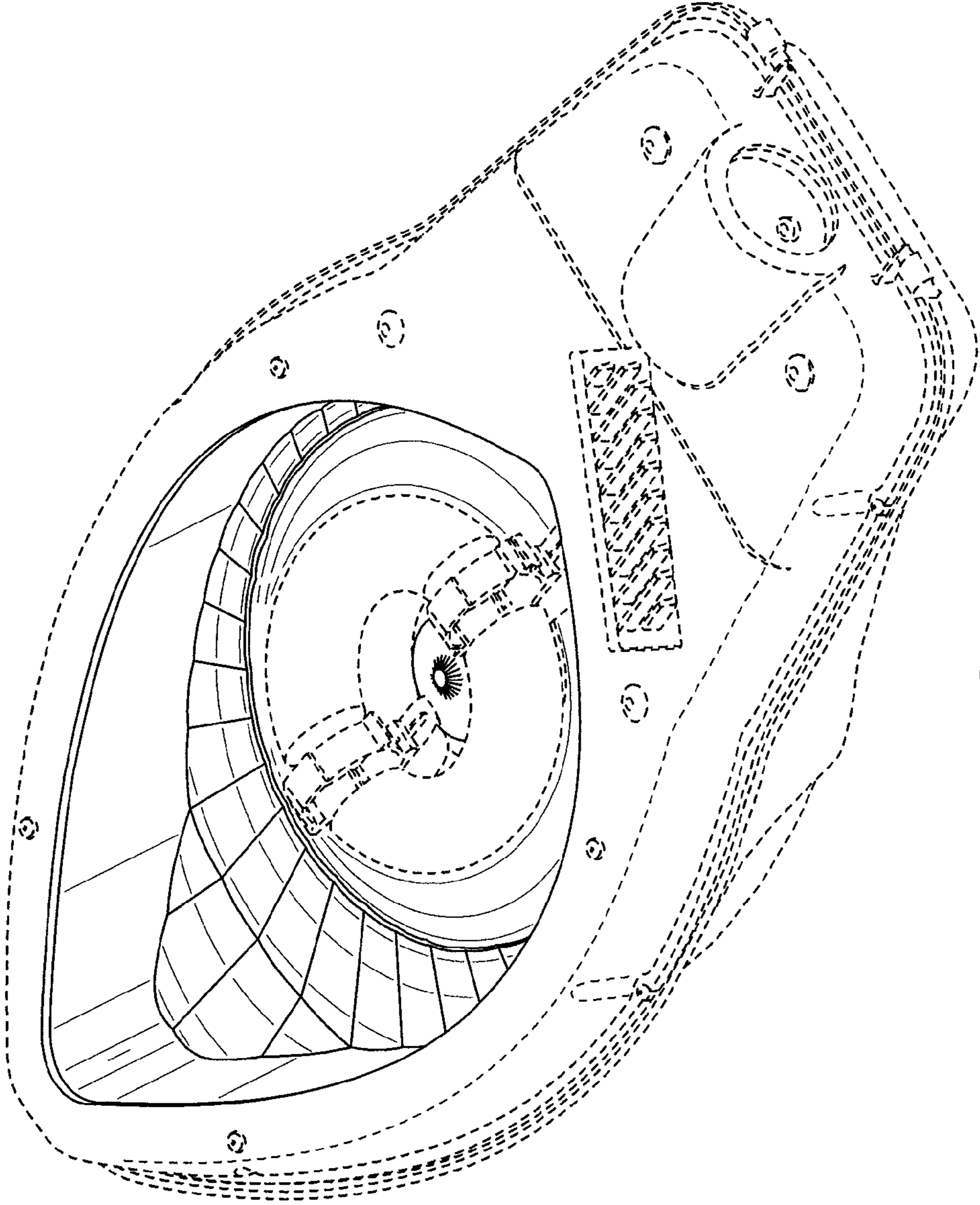


FIG. 8