



US00D638160S

(12) **United States Design Patent**
Van De Ven et al.

(10) **Patent No.:** **US D638,160 S**

(45) **Date of Patent:** **** May 17, 2011**

(54) **LIGHTING DEVICE**

(75) Inventors: **Antony Paul Van De Ven**, Hong Kong SAR (CN); **Wai Kwan Chan**, Hong Kong SAR (CN)

(73) Assignee: **Cree, Inc.**, Durham, NC (US)

(**) Term: **14 Years**

(21) Appl. No.: **29/344,219**

(22) Filed: **Sep. 25, 2009**

(51) **LOC (9) Cl.** **26-05**

(52) **U.S. Cl.** **D26/74**

(58) **Field of Classification Search** D26/74,
D26/72, 24, 36, 59, 118, 133, 134; 362/145,
362/147, 148, 150, 151, 153, 218, 217.06,
362/217.07, 294, 296.01, 296.06, 296.07,
362/296.08, 311.07, 311.09, 364, 365, 373;
D13/179

See application file for complete search history.

(56) **References Cited**

U.S. PATENT DOCUMENTS

D474,298	S	*	5/2003	Lecluze	D26/74
D476,108	S	*	6/2003	Lecluze	D26/74
D490,181	S	*	5/2004	Redfern	D26/72
D546,999	S	*	7/2007	Rashidi	D26/118
D548,390	S	*	8/2007	Lecluze	D26/138
D551,384	S	*	9/2007	Rashidi	D26/118
D551,797	S	*	9/2007	Rashidi	D26/118
D562,490	S	*	2/2008	Rashidi	D26/74

D570,531	S	*	6/2008	Rashidi	D26/118
D571,036	S	*	6/2008	Rashidi	D26/118
D601,293	S	*	9/2009	MacKenzie	D26/74
D601,739	S	*	10/2009	Chan et al.	D26/74
2010/0039829	A1	*	2/2010	Tsai	362/373

OTHER PUBLICATIONS

U.S. Appl. No. 12/566,861, filed Sep. 25, 2009, Van de Ven et al.
U.S. Appl. No. 29/353,900, filed Jan. 15, 2010, Van de Ven et al.

* cited by examiner

Primary Examiner — Angela J Lee

(74) *Attorney, Agent, or Firm* — Burr & Brown

(57) **CLAIM**

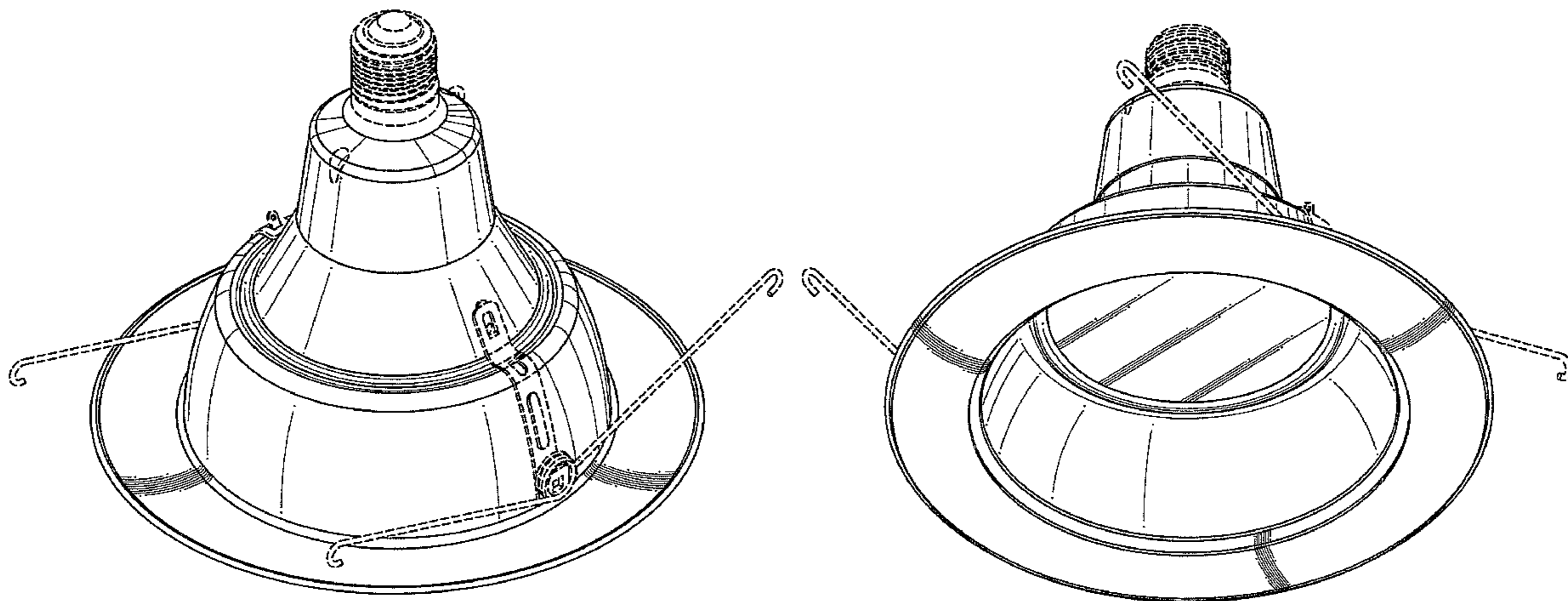
The ornamental design for a lighting device, as shown and described.

DESCRIPTION

FIG. 1 is a first perspective view of the lighting device in accordance with my new design;
FIG. 2 is a second perspective view thereof;
FIG. 3 is a front view thereof;
FIG. 4 is a right side view thereof; the left side view is identical to FIG. 4;
FIG. 5 is a back view thereof;
FIG. 6 is a top view thereof; and,
FIG. 7 is a bottom view thereof.

The portions of the drawings shown in broken lines represent environmental structure and form no part of the claimed design.

1 Claim, 7 Drawing Sheets



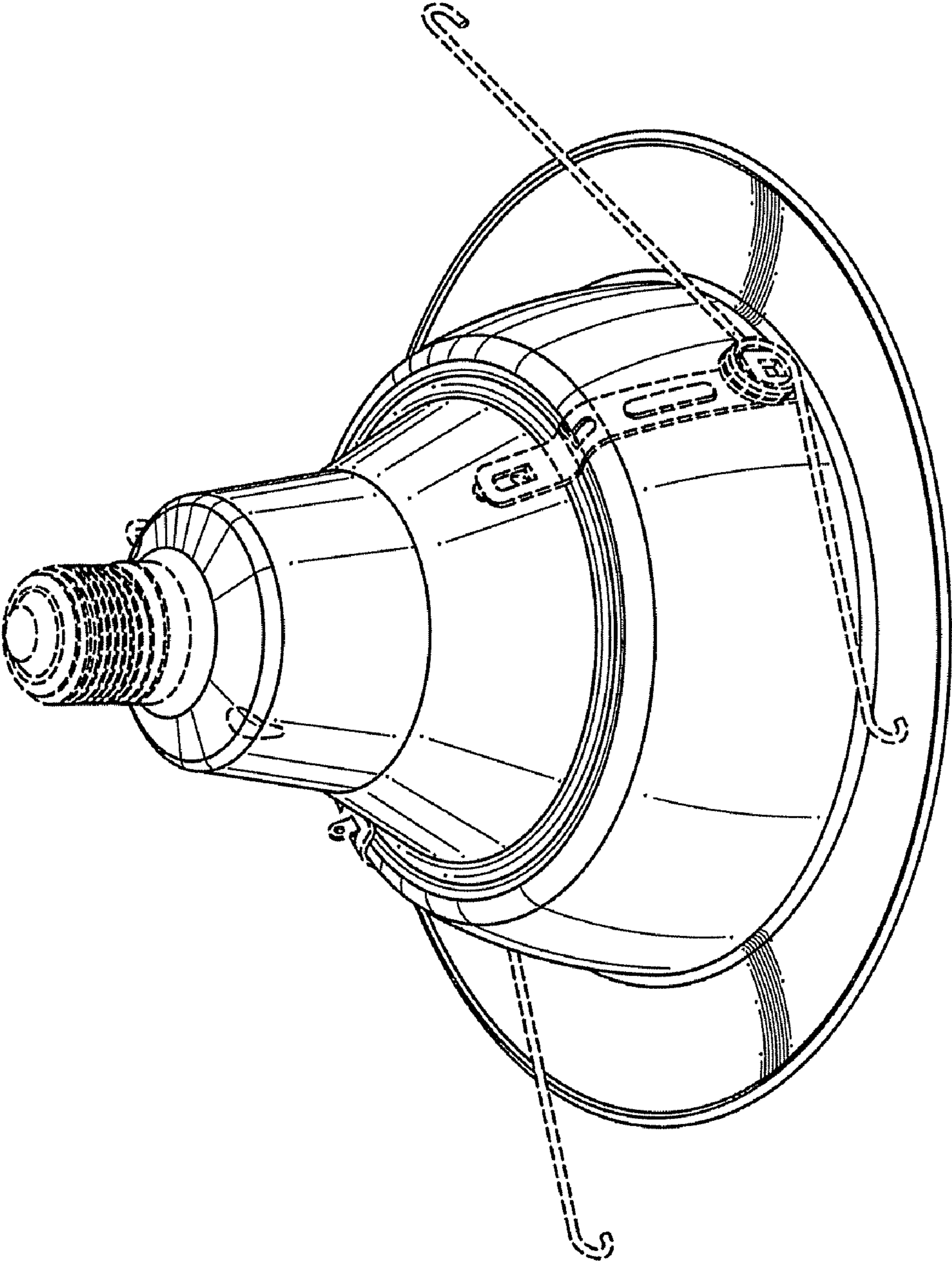


FIG.1

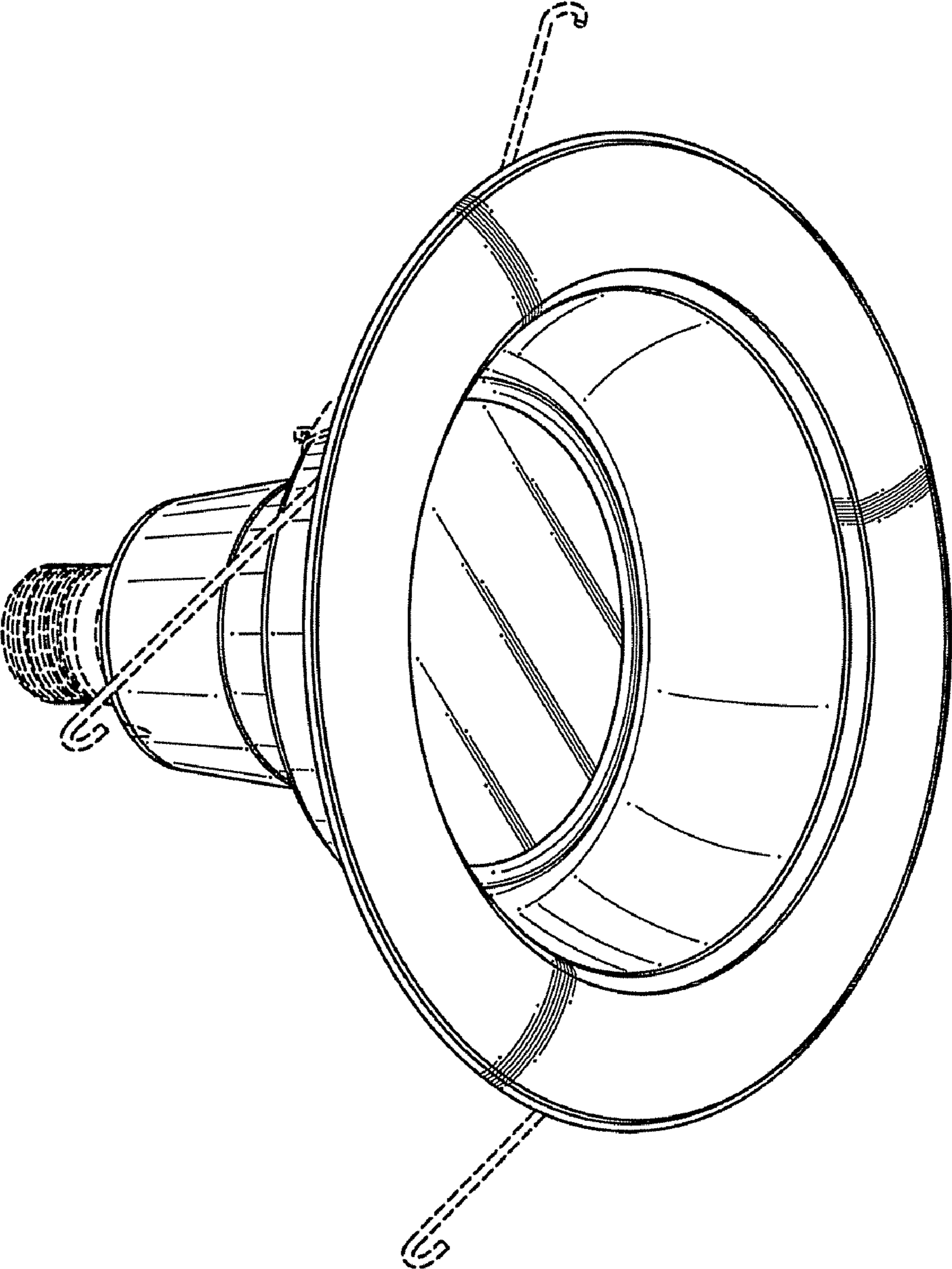


FIG.2

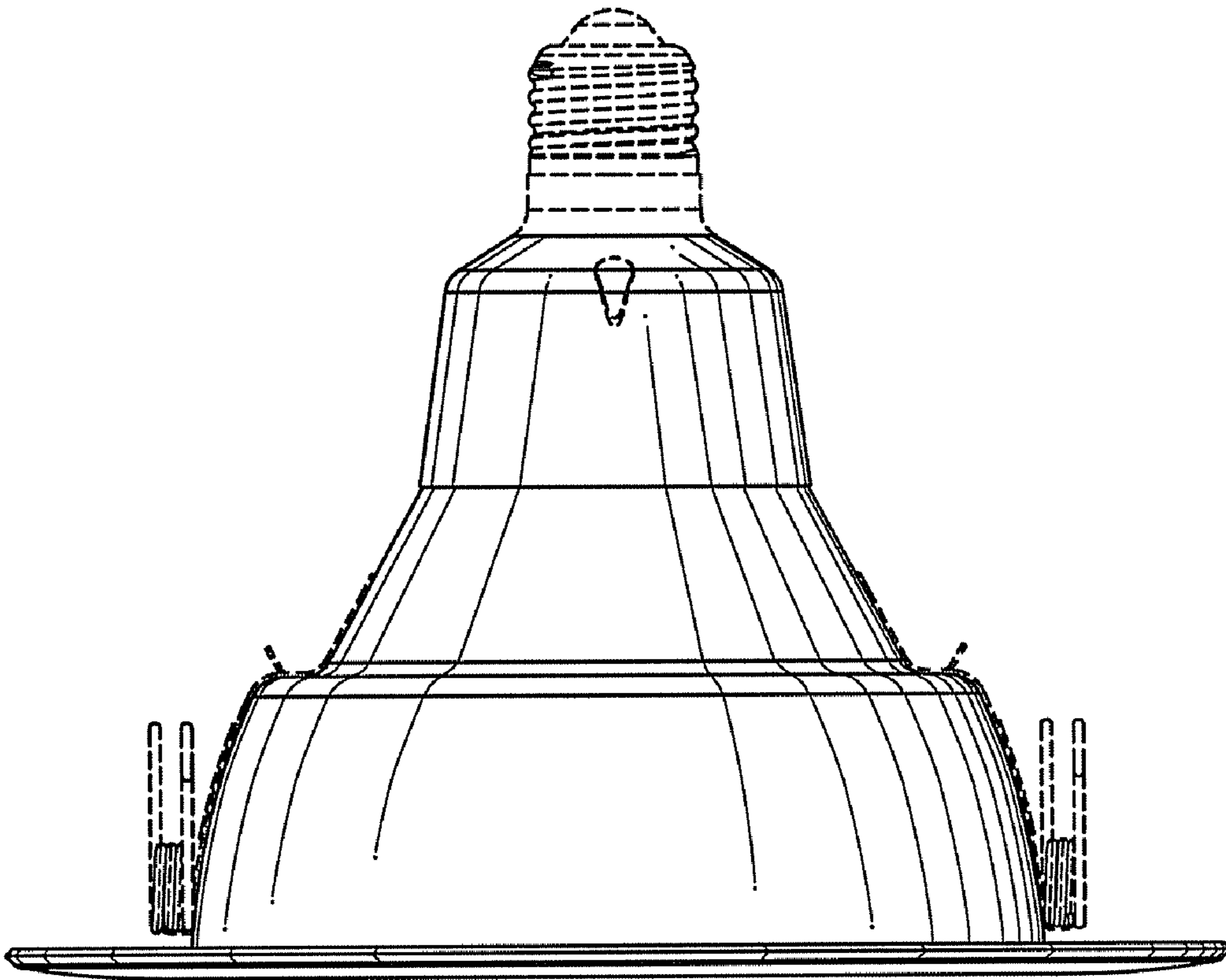


FIG.3

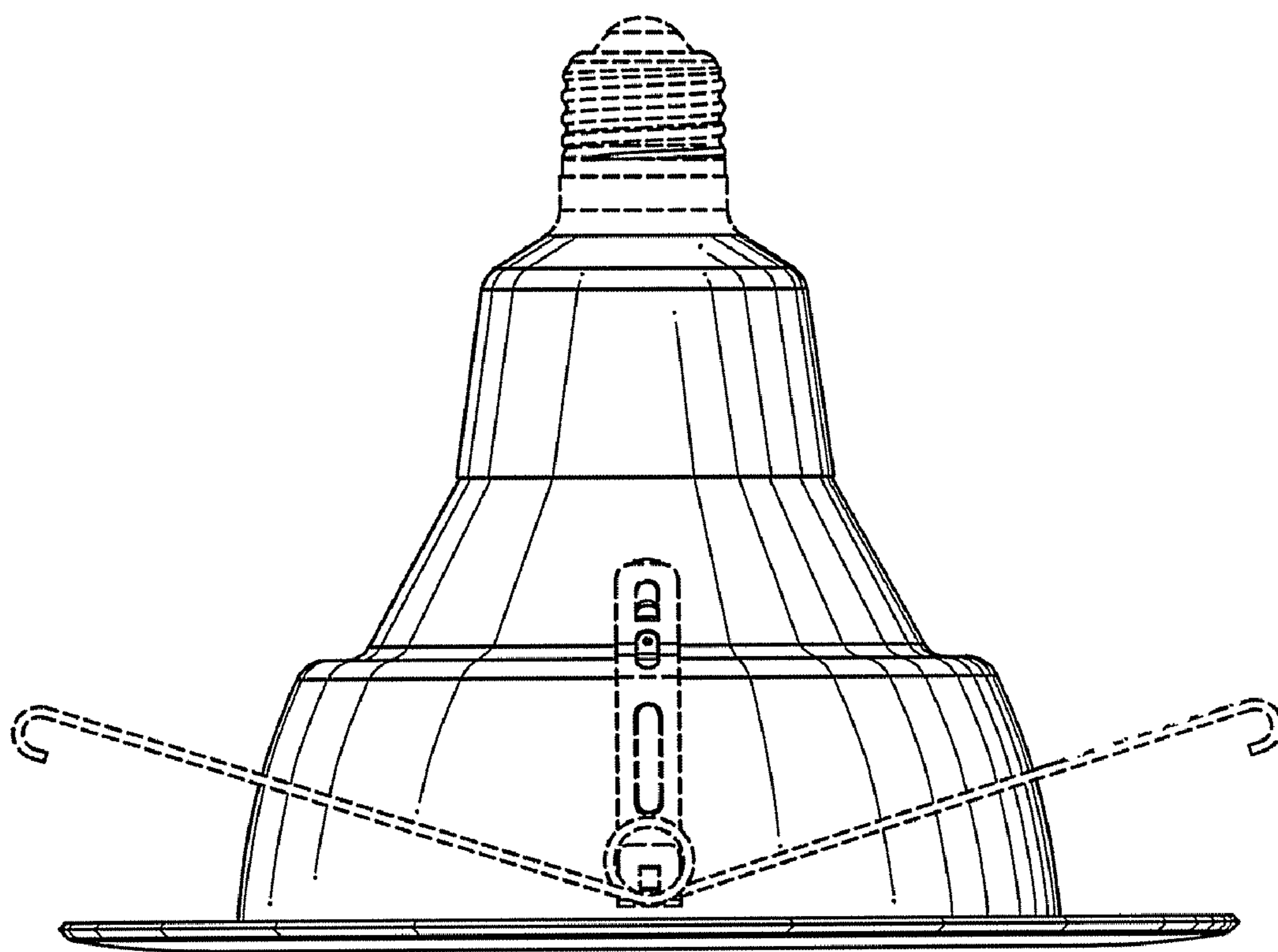


FIG.4

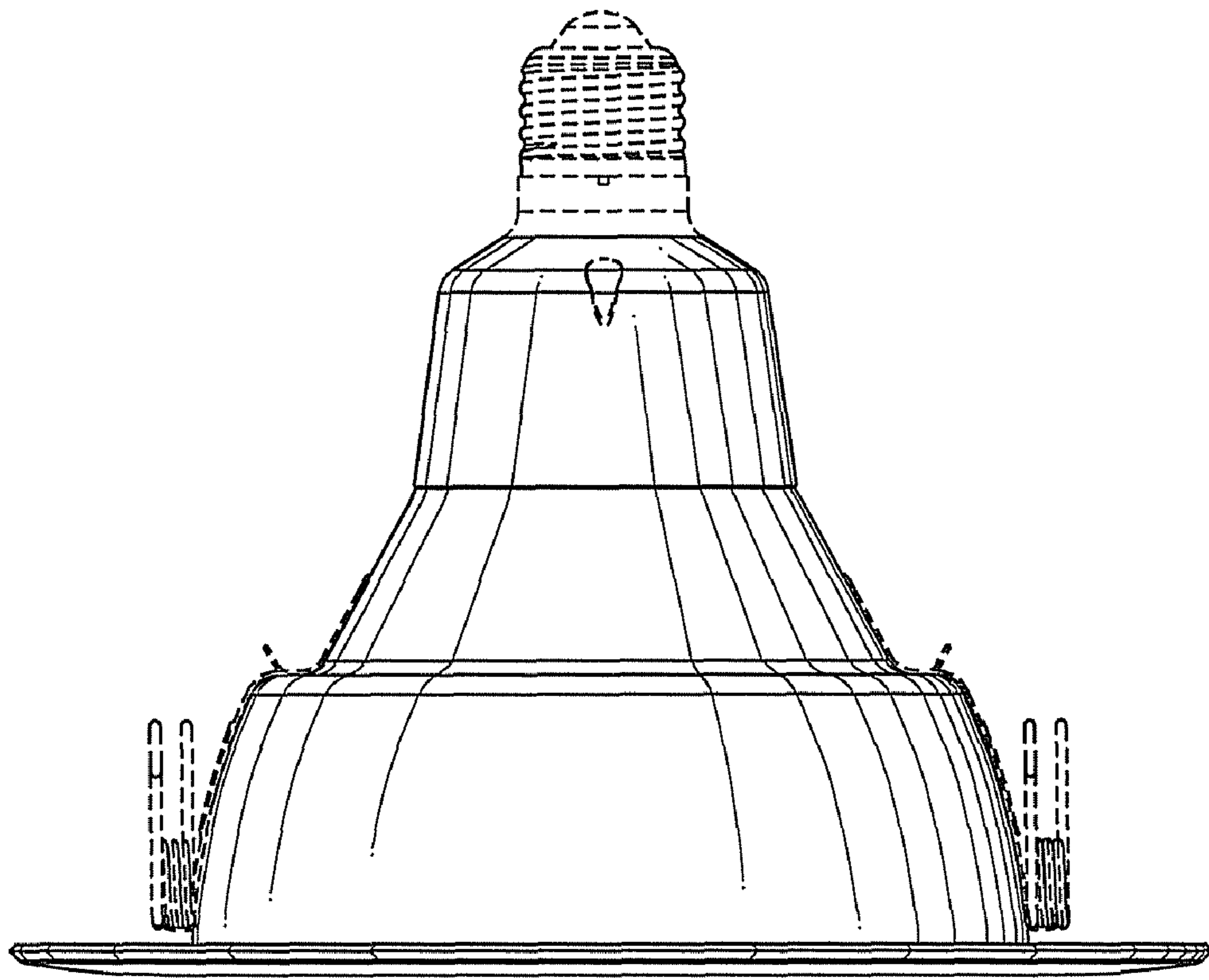


FIG.5

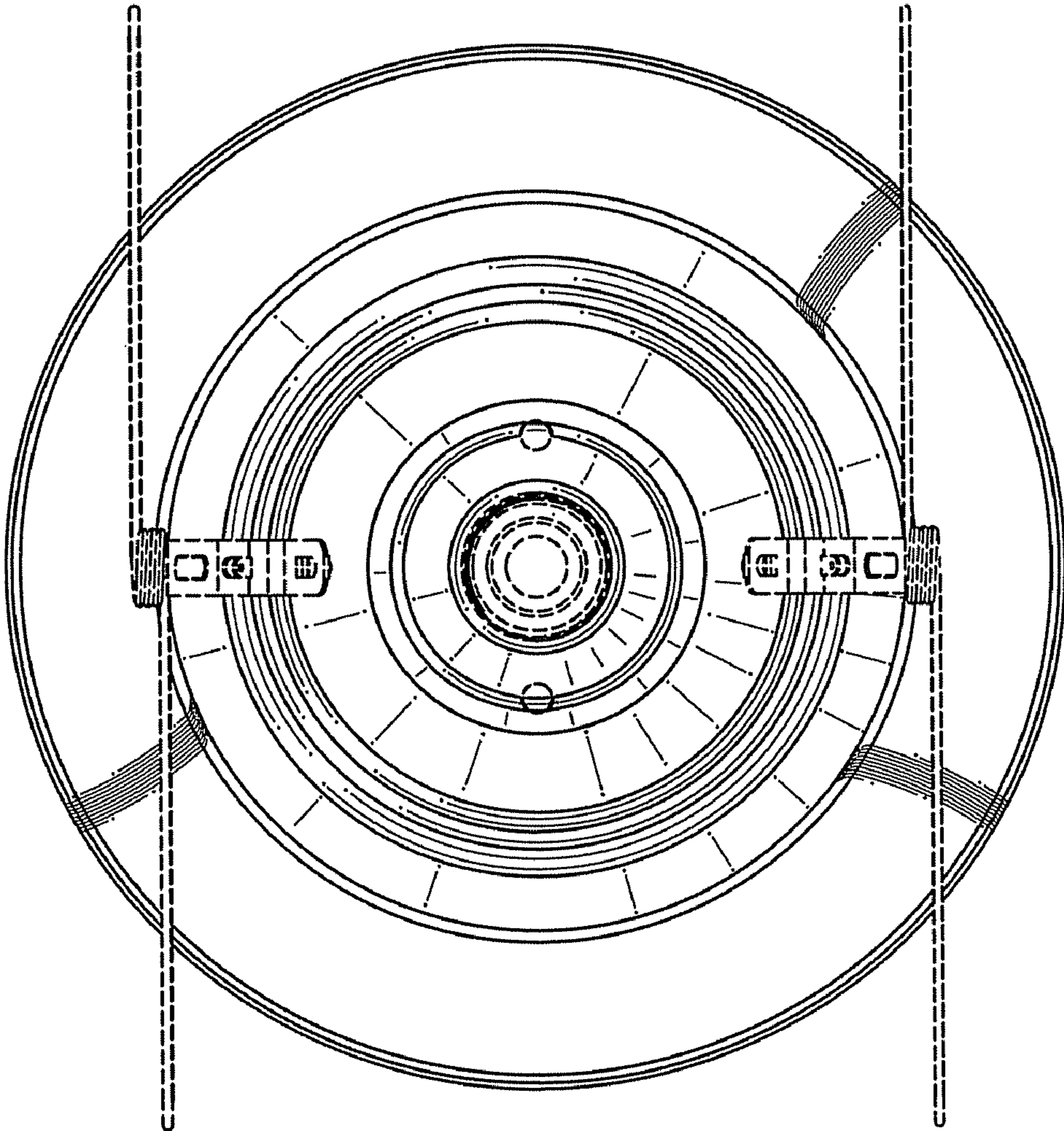


FIG.6

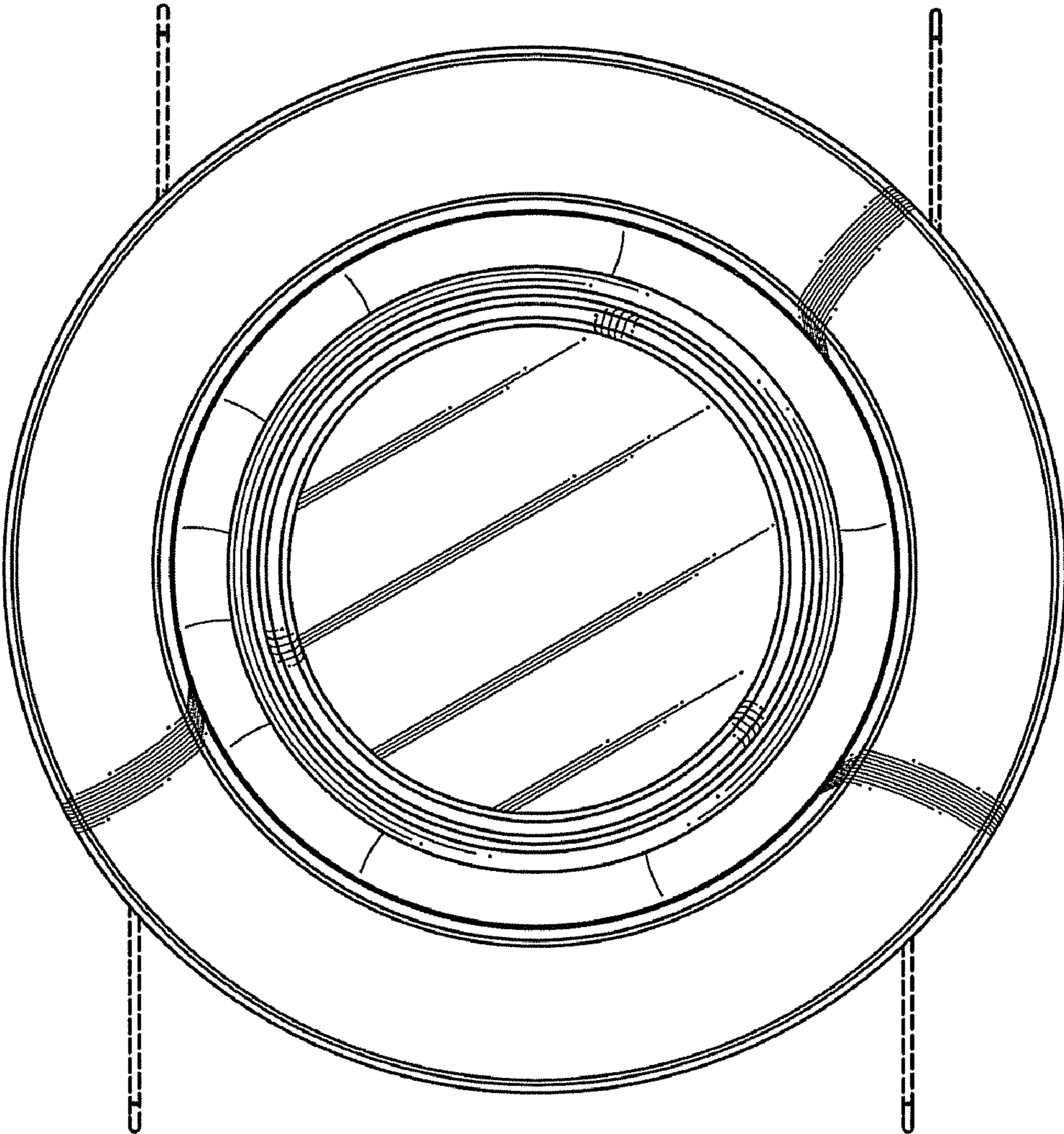


FIG.7