



US00D638159S

(12) **United States Design Patent**
Yao

(10) **Patent No.:** **US D638,159 S**

(45) **Date of Patent:** **** May 17, 2011**

(54) **SOLAR SPOTLIGHT**

(76) Inventor: **Yihui Yao**, Shantou (CN)

(**) Term: **14 Years**

(21) Appl. No.: **29/359,622**

(22) Filed: **Apr. 13, 2010**

(51) **LOC (9) Cl.** **26-05**

(52) **U.S. Cl.** **D26/63; D26/68**

(58) **Field of Classification Search** D26/61,
D26/63, 67-71; 362/153, 153.1, 282-285,
362/287, 289, 183, 185, 266, 267, 273, 359,
362/371, 152, 269, 270, 277, 278, 418, 427,
362/431, 187-191

See application file for complete search history.

(56) **References Cited**

U.S. PATENT DOCUMENTS

4,999,060	A *	3/1991	Szekely et al.	362/183
5,211,470	A *	5/1993	Frost et al.	362/183
5,367,442	A *	11/1994	Frost et al.	362/183
7,021,787	B1 *	4/2006	Kuelbs	362/183
D531,748	S *	11/2006	Sanoner	D26/68
D542,959	S *	5/2007	Yao et al.	D26/68

D574,532	S *	8/2008	Lee et al.	D26/63
D615,688	S *	5/2010	Chen	D26/68
D618,166	S *	6/2010	Sanoner	D13/102

* cited by examiner

Primary Examiner — Philip S Hyder

Assistant Examiner — Linda G. Brooks

(74) *Attorney, Agent, or Firm* — Christie, Parker & Hale, LLP

(57) **CLAIM**

The ornamental design for a solar spotlight, as shown and described.

DESCRIPTION

FIG. 1 is a back view of the solar spotlight;
FIG. 2 is a right side view thereof;
FIG. 3 is a front view thereof;
FIG. 4 is a left side view thereof;
FIG. 5 is a top view thereof;
FIG. 6 is a bottom view thereof; and,
FIG. 7 is a perspective view thereof.
The portions of the solar spotlight shown in broken lines form no part of the claimed design.

1 Claim, 4 Drawing Sheets

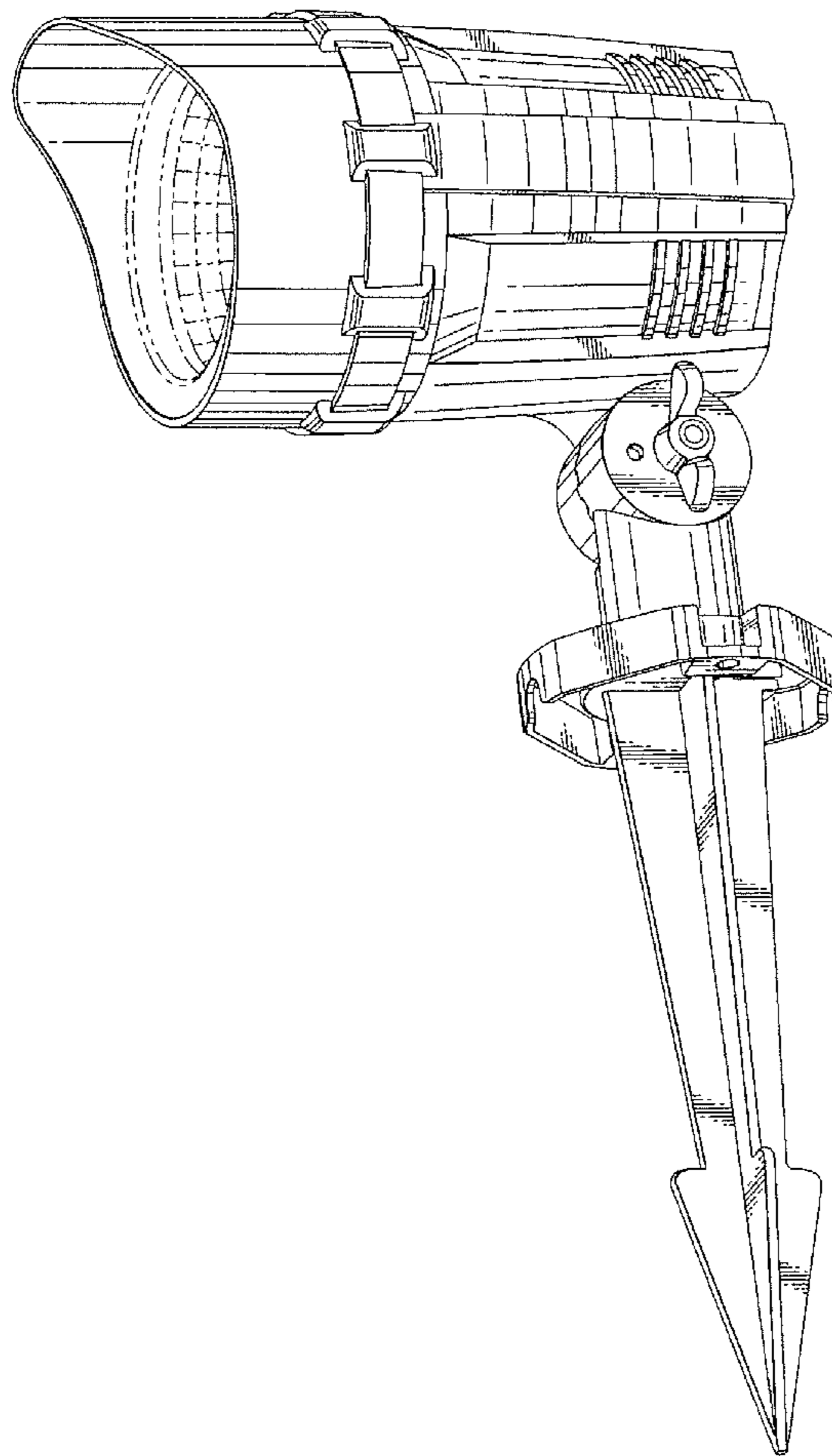


FIG. 1

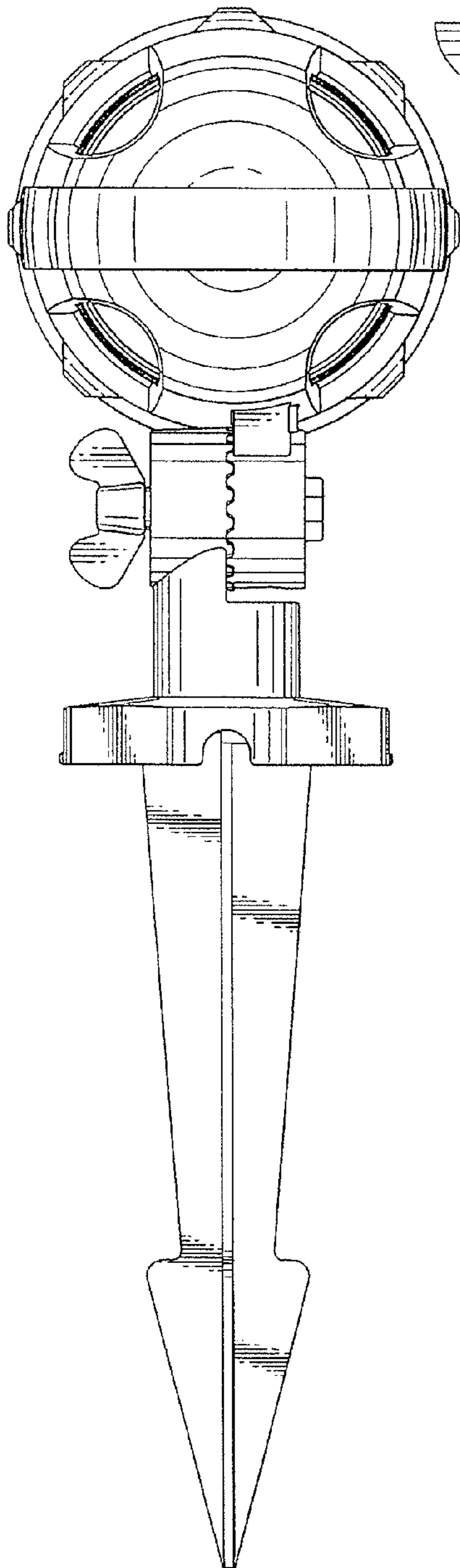


FIG. 2

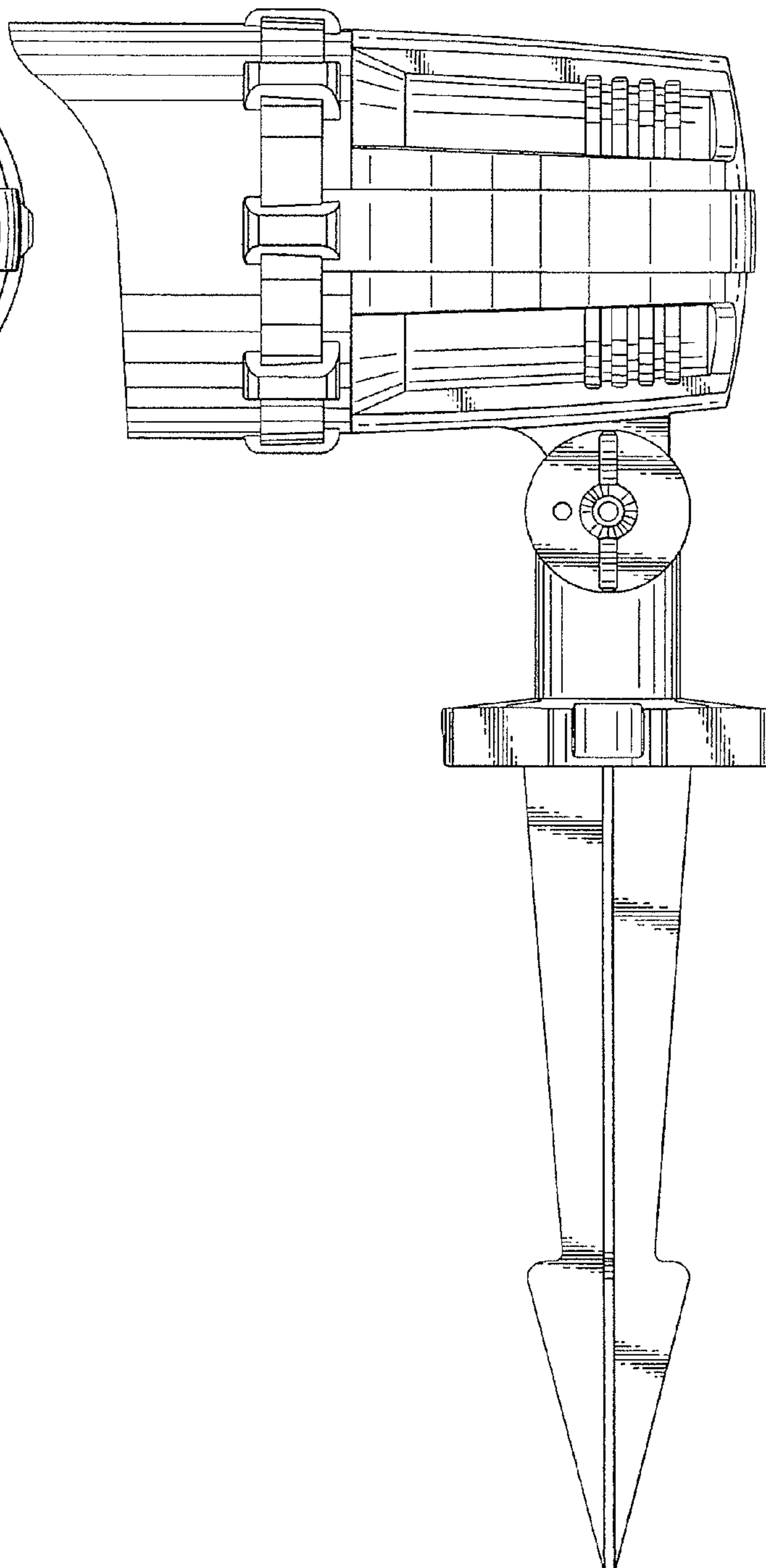


FIG. 4

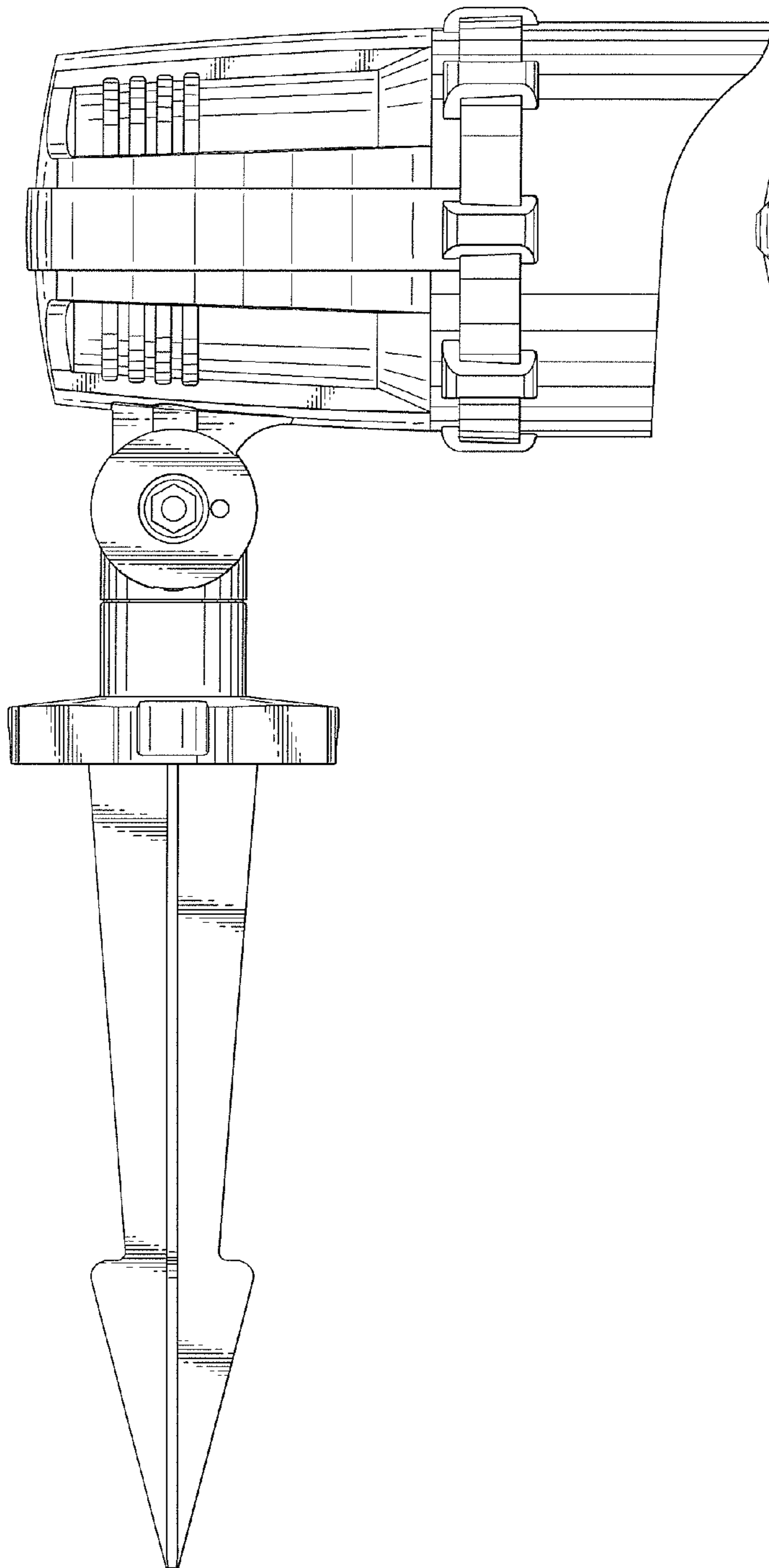


FIG. 3

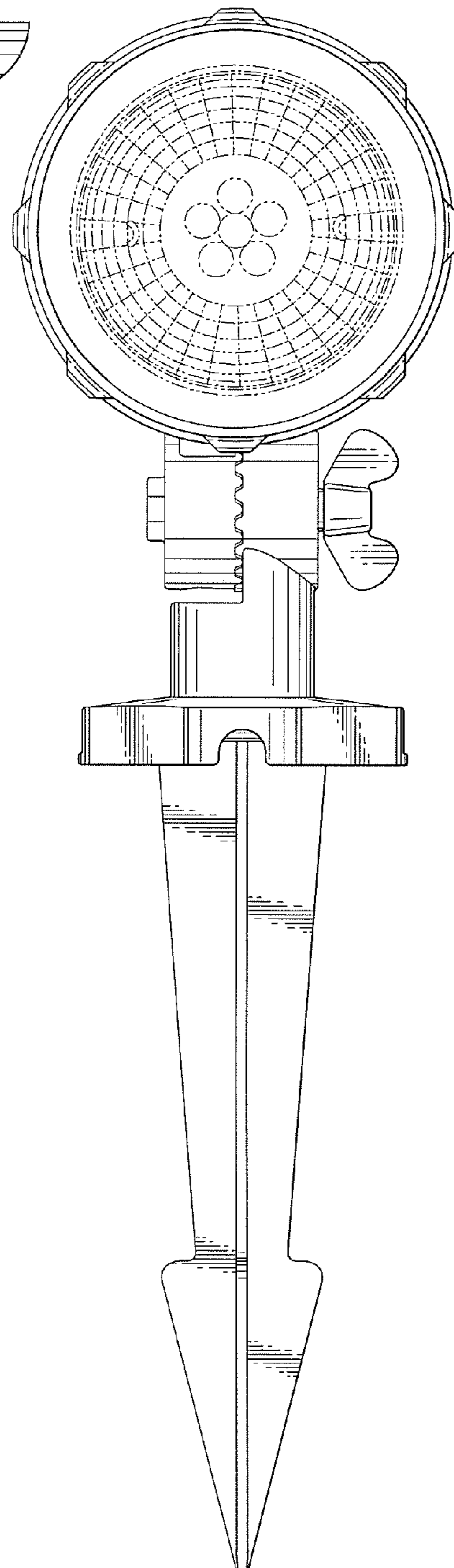


FIG. 5

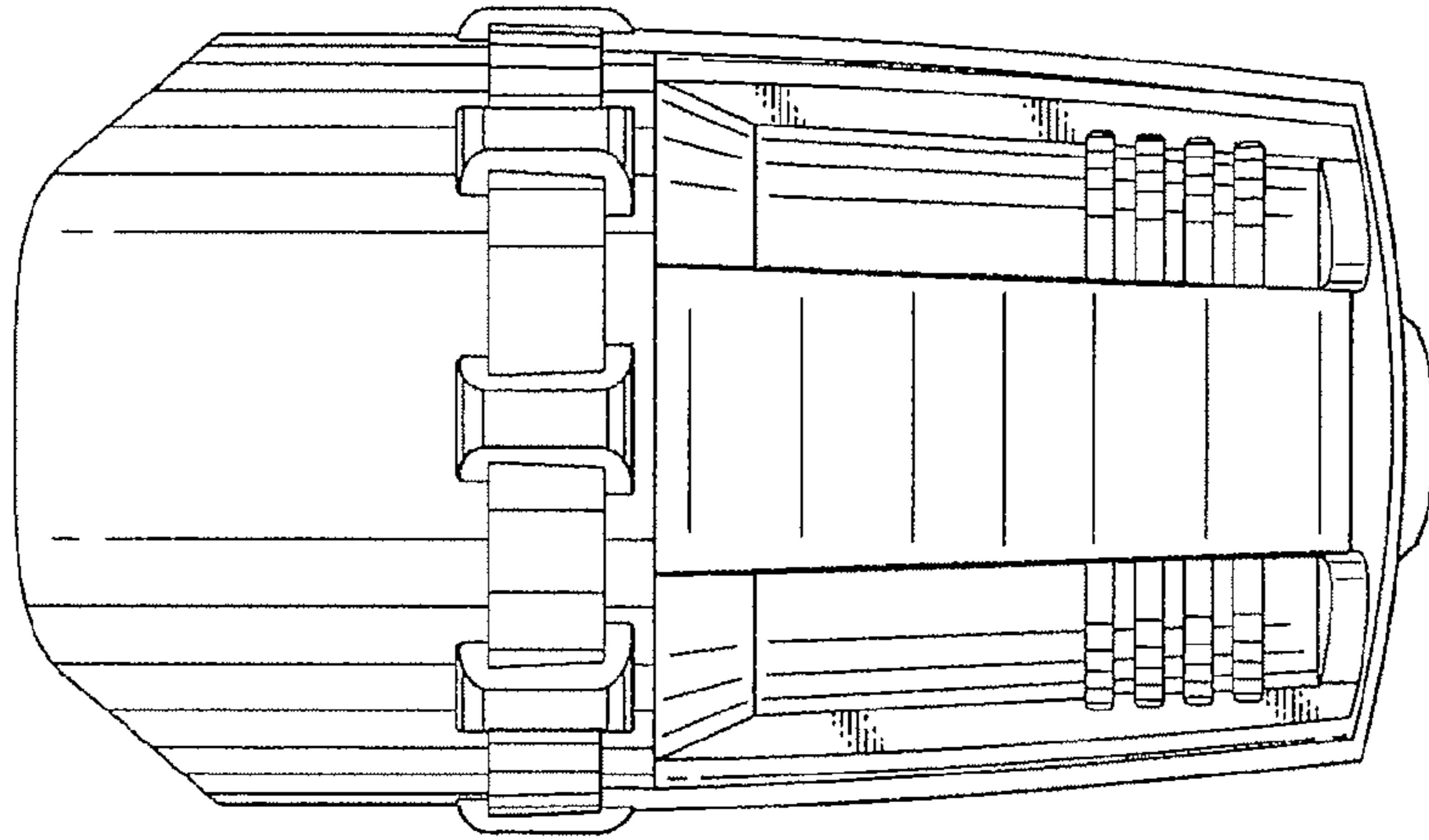


FIG. 6

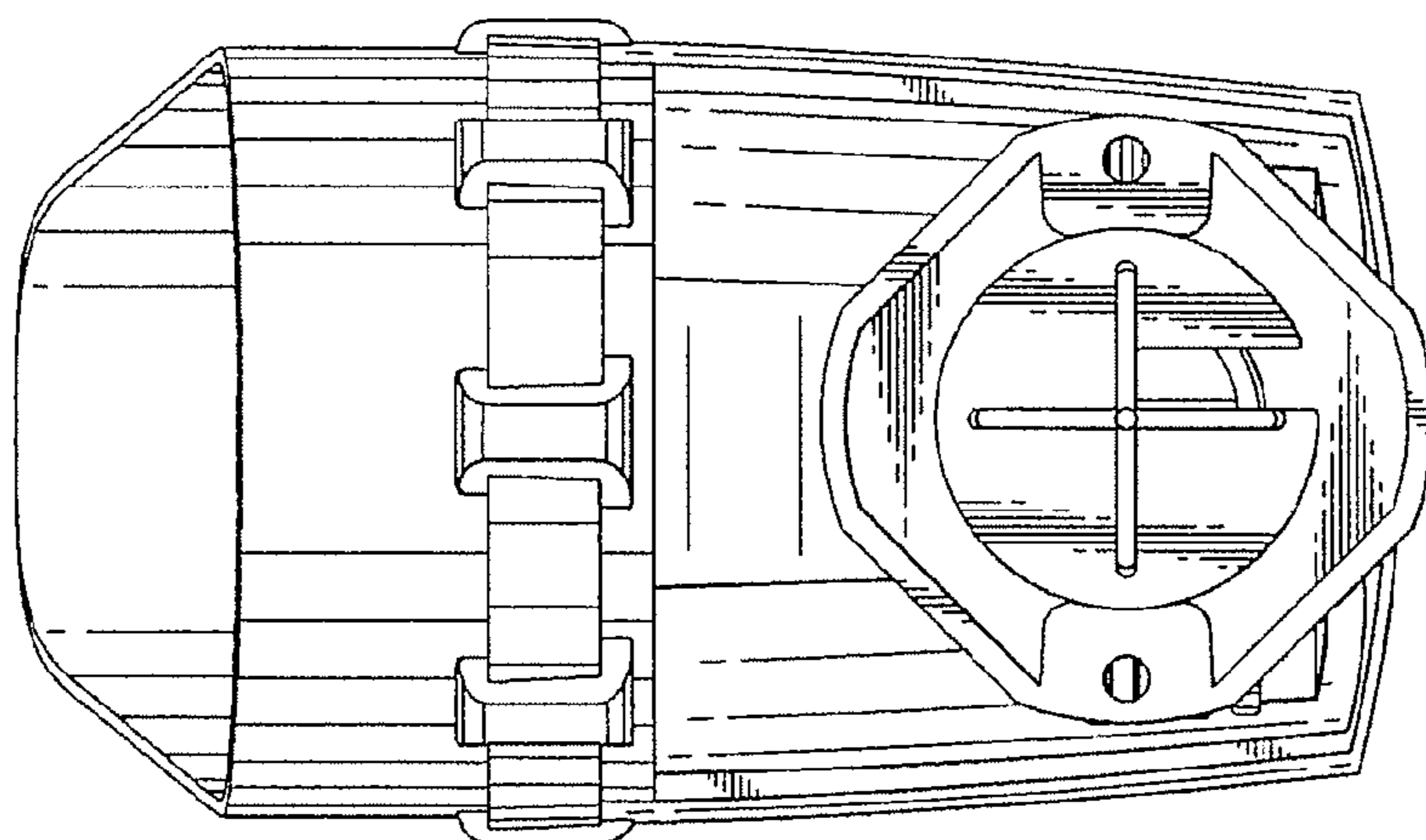


FIG. 7

