



US00D638157S

(12) **United States Design Patent**
Lee

(10) **Patent No.:** **US D638,157 S**

(45) **Date of Patent:** **** May 17, 2011**

(54) **HAND HELD LIGHT**

(76) Inventor: **Wen-Sung Lee**, Taichung (TW)

(**) Term: **14 Years**

(21) Appl. No.: **29/366,513**

(22) Filed: **Jul. 27, 2010**

(51) **LOC (9) Cl.** **26-02**

(52) **U.S. Cl.** **D26/49**

(58) **Field of Classification Search** D26/37,
D26/38, 39, 44, 46, 49, 51, 60, 61; 362/105,
362/106, 157, 158, 183, 184, 187, 191, 194,
362/195-199, 202-208, 253

See application file for complete search history.

(56) **References Cited**

U.S. PATENT DOCUMENTS

D480,826 S *	10/2003	Englert et al.	D26/49
D494,298 S *	8/2004	Brent	D26/49
D507,672 S *	7/2005	Fritz et al.	D26/49
D531,337 S *	10/2006	Dalton et al.	D26/49
D551,369 S *	9/2007	Mah	D26/37

D600,841 S *	9/2009	Kung	D26/46
D608,482 S *	1/2010	Brown et al.	D26/49
D617,024 S *	6/2010	Brown et al.	D26/49
D629,941 S *	12/2010	Robinson et al.	D26/49
D630,784 S *	1/2011	Robinson et al.	D26/49

* cited by examiner

Primary Examiner — Ian Simmons

Assistant Examiner — Carissa C Fitts

(57) **CLAIM**

The ornamental design for a hand held light, as shown and described.

DESCRIPTION

FIG. 1 is a perspective view of a hand held light showing my new design;

FIG. 2 is a front elevational view thereof;

FIG. 3 is a rear elevational view thereof;

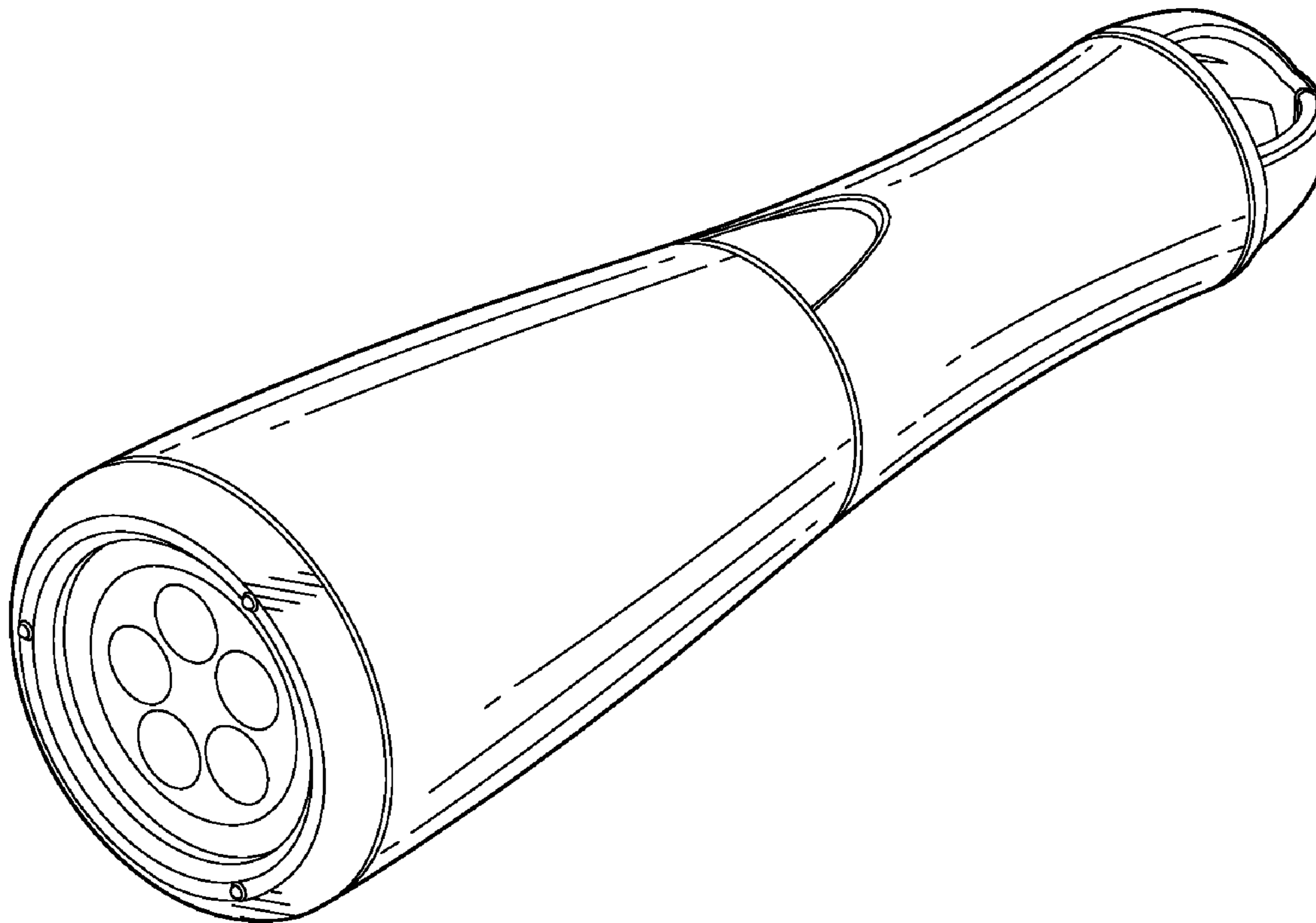
FIG. 4 is a left side view thereof;

FIG. 5 is a right side view thereof;

FIG. 6 is a top plan view thereof; and,

FIG. 7 is a bottom plan view thereof.

1 Claim, 5 Drawing Sheets



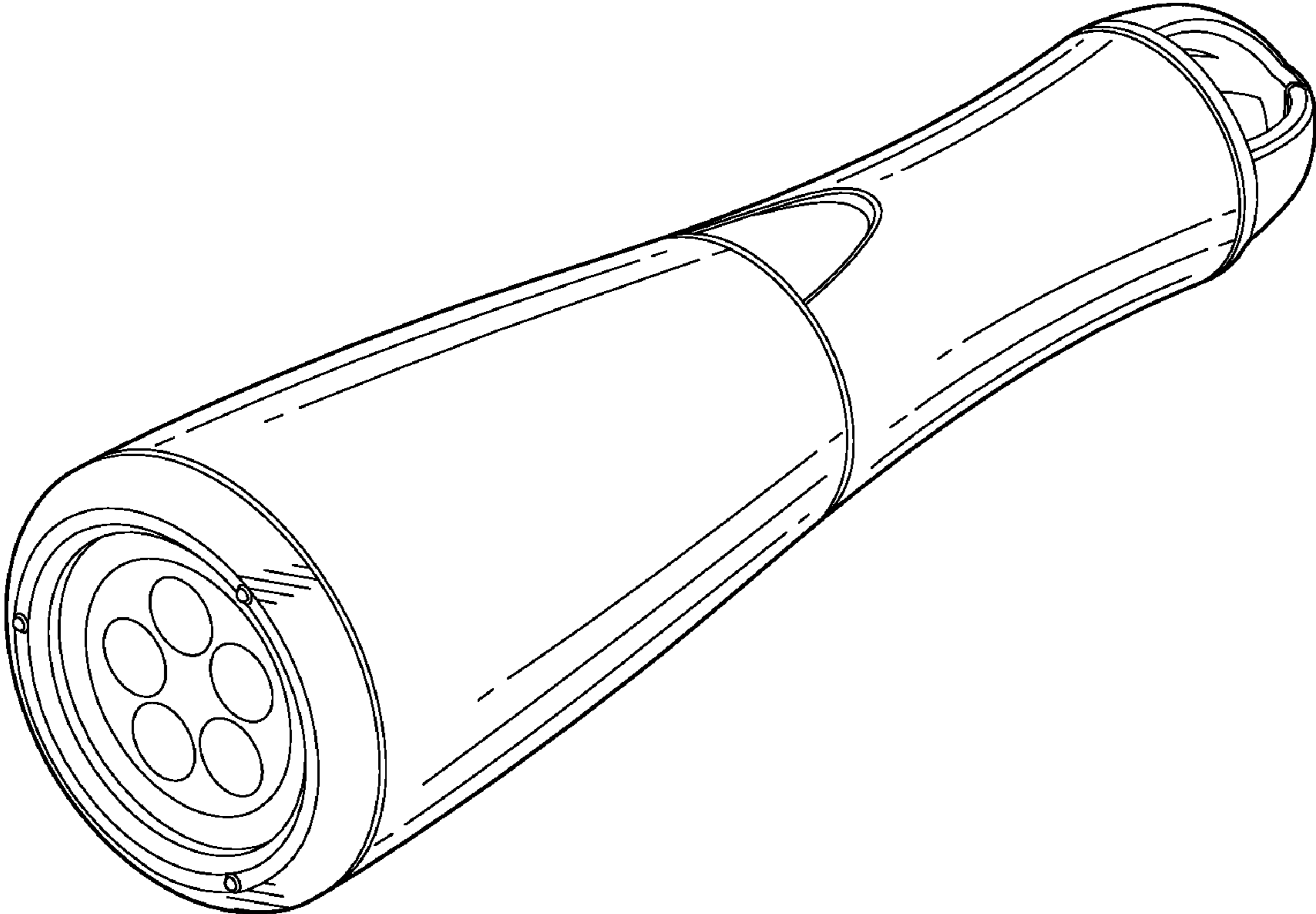


FIG. 1

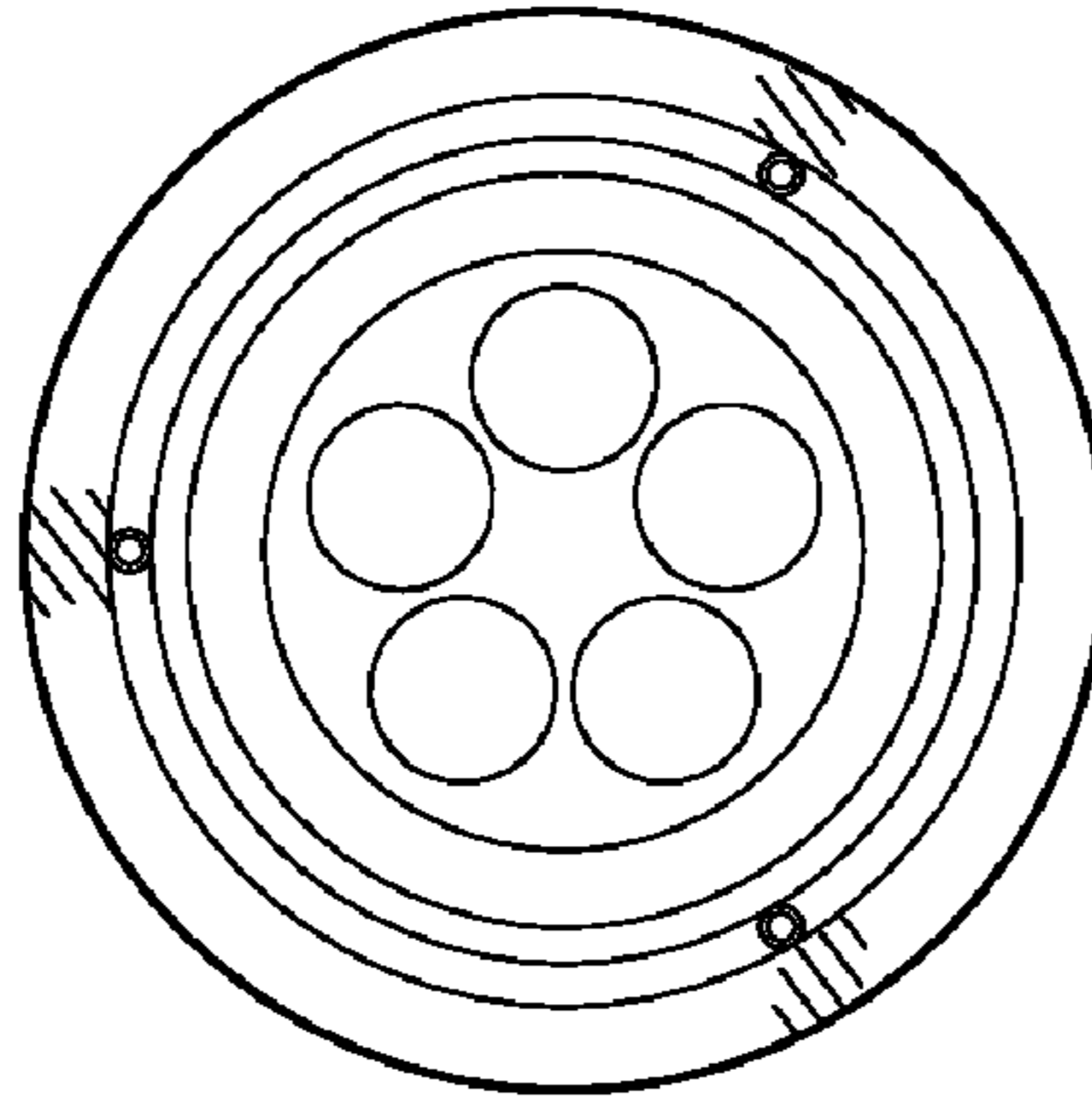


FIG. 2

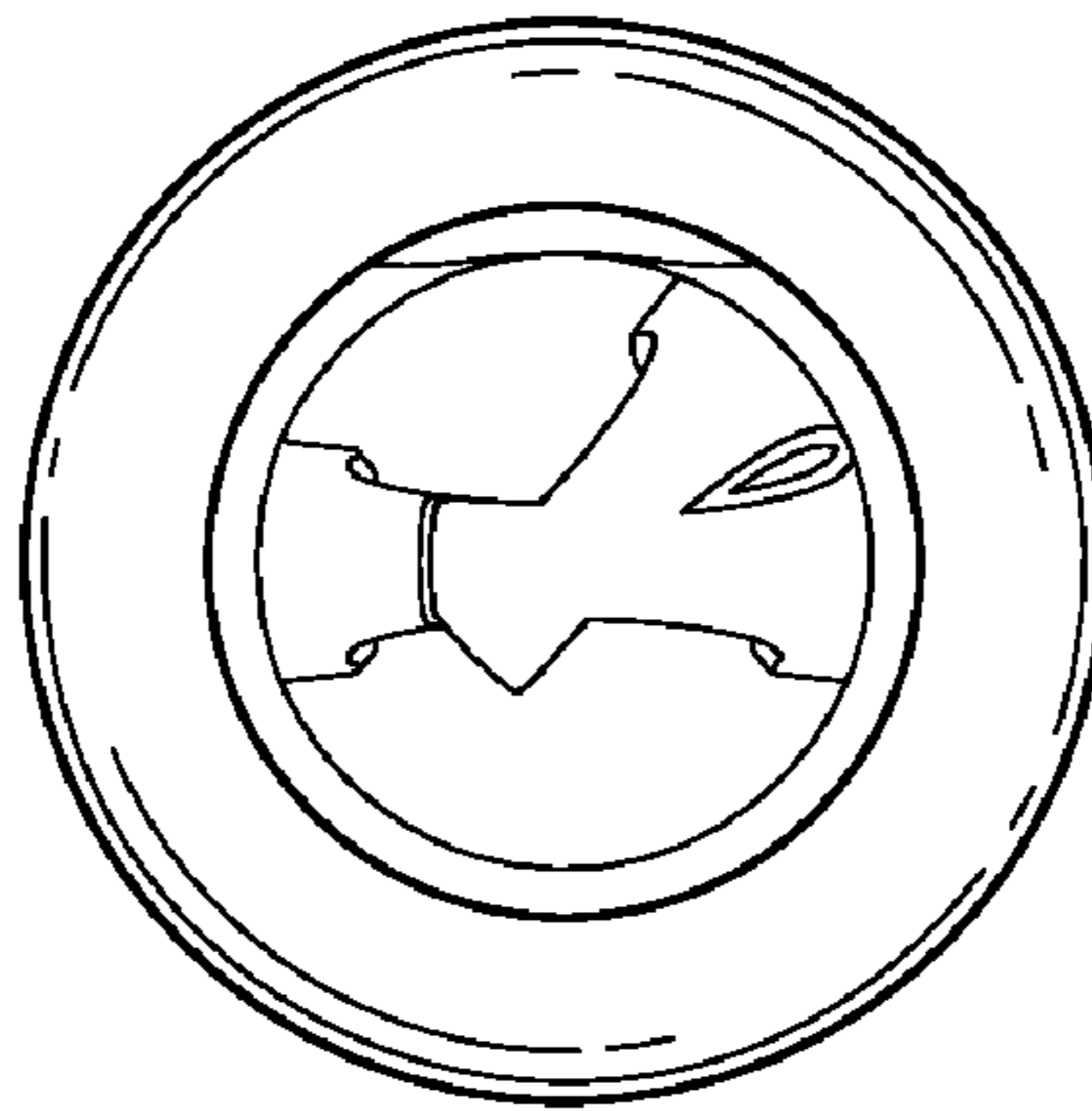


FIG. 3

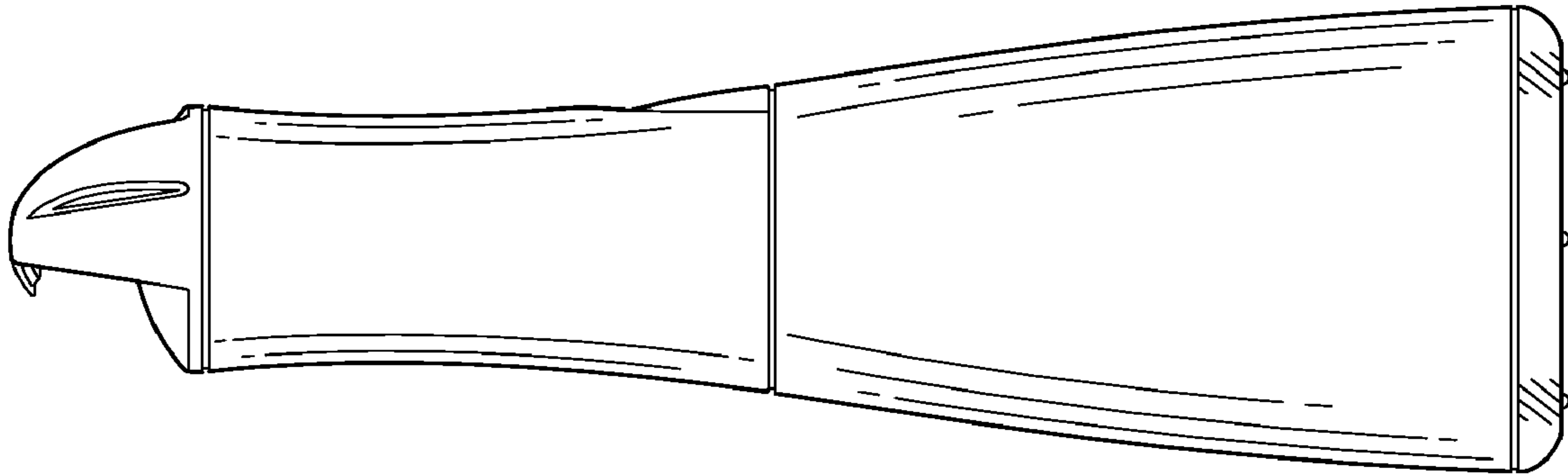


FIG. 4

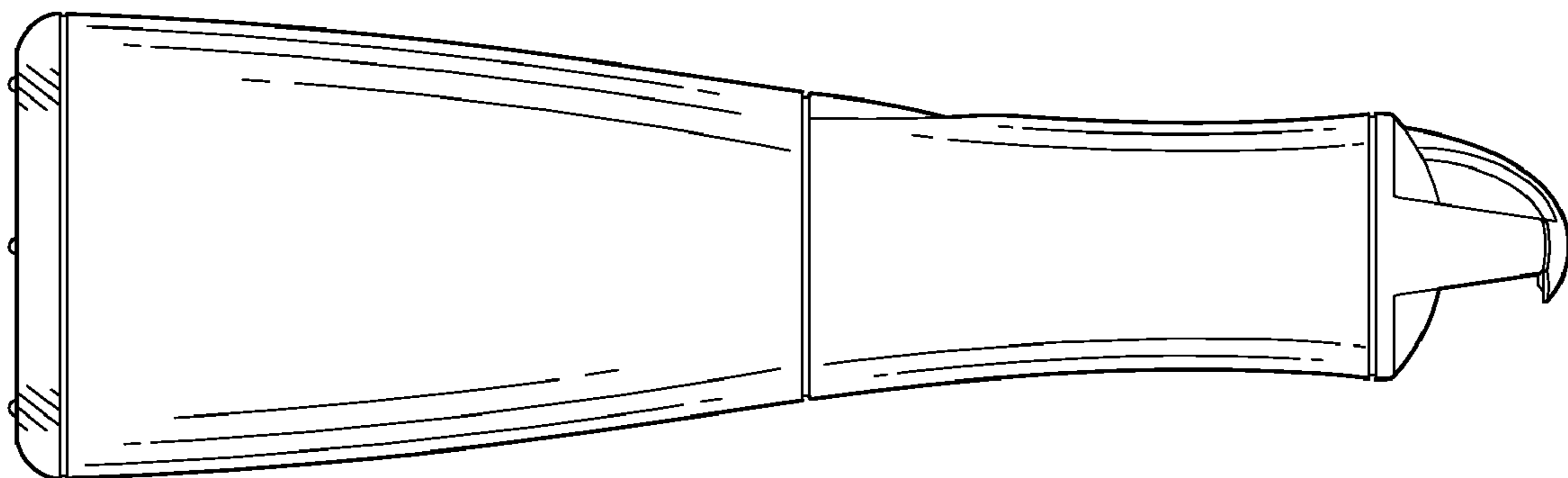


FIG. 5

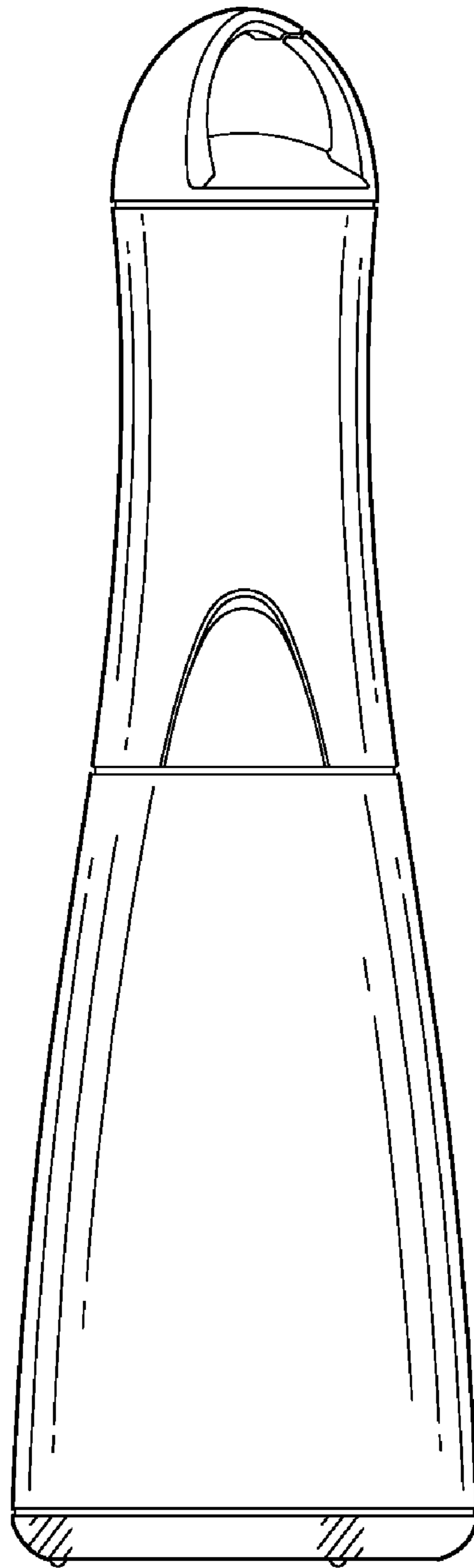


FIG. 6

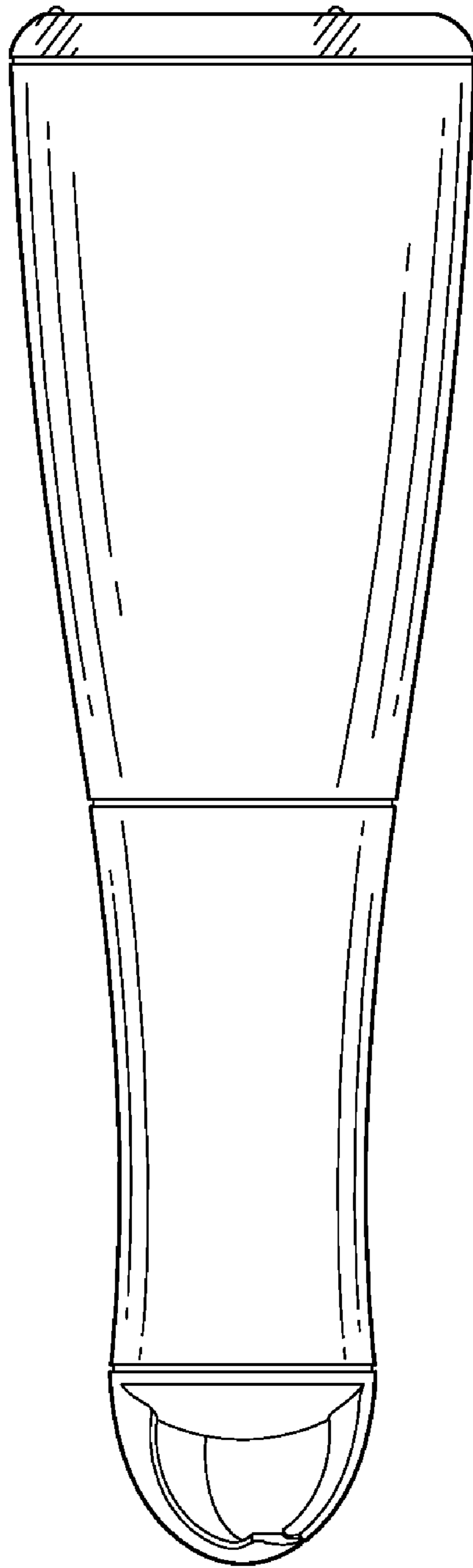


FIG. 7