



US00D638153S

(12) **United States Design Patent**
Christ et al.

(10) **Patent No.:** **US D638,153 S**

(45) **Date of Patent:** **** May 17, 2011**

(54) **WORK LIGHT**

(75) Inventors: **James Richard Christ**, Peachtree City, GA (US); **Christopher Michael Bryant**, Social Circle, GA (US)

(73) Assignee: **Cooper Technologies Company**, Houston, TX (US)

(**) Term: **14 Years**

(21) Appl. No.: **29/365,373**

(22) Filed: **Jul. 8, 2010**

(51) **LOC (9) Cl.** **26-02**

(52) **U.S. Cl.** **D26/42**

(58) **Field of Classification Search** D26/37,
D26/38, 40, 41, 42, 46, 49, 50; 362/157,
362/158, 183, 184, 189, 194-197, 200-208
See application file for complete search history.

(56) **References Cited**

U.S. PATENT DOCUMENTS

5,424,931	A	6/1995	Wheeler	
D372,997	S *	8/1996	Meoli	D26/42
D382,359	S *	8/1997	Rorke et al.	D26/42
D391,656	S *	3/1998	Wan	D26/42
D392,062	S *	3/1998	Wan	D26/42
D396,891	S *	8/1998	Lam	D21/483
6,857,756	B2	2/2005	Reiff et al.	
D505,217	S *	5/2005	Bayat et al.	D26/42
6,979,100	B2	12/2005	Reiff et al.	
D540,484	S *	4/2007	Bayat et al.	D26/42
D546,490	S *	7/2007	Brown et al.	D26/42
D550,385	S *	9/2007	Hamilton et al.	D26/37
D556,926	S *	12/2007	Thirouin	D26/37
D558,369	S *	12/2007	O'Hern	D26/42
D567,977	S *	4/2008	Jianwei	D26/42
D567,978	S *	4/2008	Jianwei	D26/42
D588,733	S *	3/2009	O'Hern	D26/42
D593,695	S *	6/2009	Levine	D26/42
7,556,398	B2	7/2009	Van Der Poel	
D620,627	S *	7/2010	Kovacik et al.	D26/42
2004/0004828	A1	1/2004	Chernick et al.	
2004/0032732	A1	2/2004	Rubin	

2006/0034091	A1	2/2006	Kovacik et al.
2006/0043085	A1	3/2006	Meyers
2010/0110700	A1	5/2010	Chien
2010/0232147	A1	9/2010	Bryant et al.

OTHER PUBLICATIONS

Instruction Manual for Black & Decker WLF013BD 25-LED Work Light with Pivoting Head, Sep. 2008.

* cited by examiner

Primary Examiner — Charles A Rademaker

Assistant Examiner — Carissa C Fitts

(74) *Attorney, Agent, or Firm* — King & Spalding LLP

(57) **CLAIM**

The ornamental design for a work light, as shown and described.

DESCRIPTION

FIG. 1 is a perspective view of a work light, showing my new design;

FIG. 2 is a front elevation view thereof;

FIG. 3 is a rear elevation view thereof;

FIG. 4 is a top plan view thereof;

FIG. 5 is a bottom plan view thereof;

FIG. 6 is a left-side elevation view thereof;

FIG. 7 is a right-side elevation view thereof;

FIG. 8 is a perspective view of a modified embodiment of the design shown in FIGS. 1 through 7;

FIG. 9 is a front elevation view of the work light of FIG. 8;

FIG. 10 is a rear elevation view of the work light of FIG. 8;

FIG. 11 is a top plan view of the work light of FIG. 8;

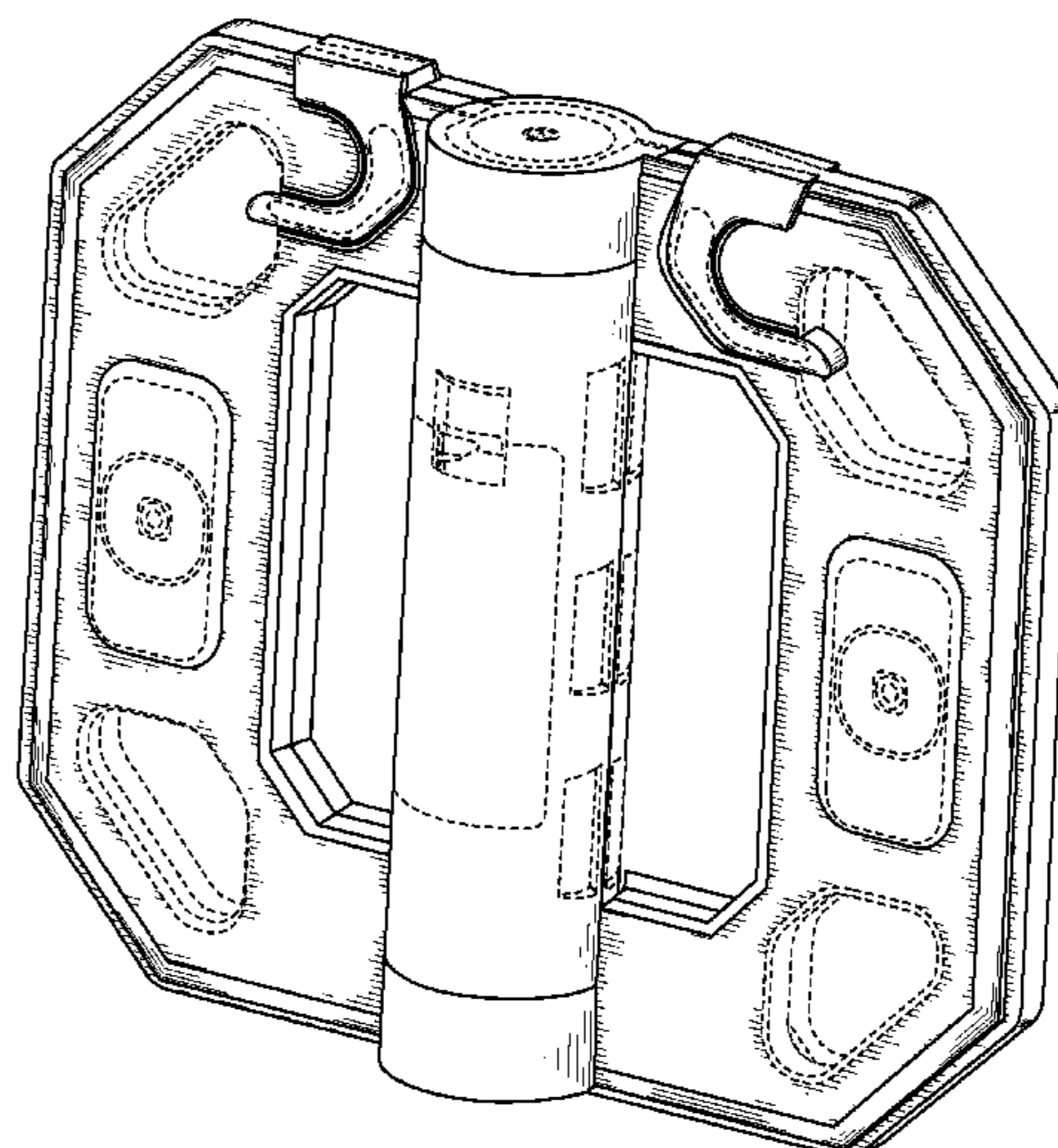
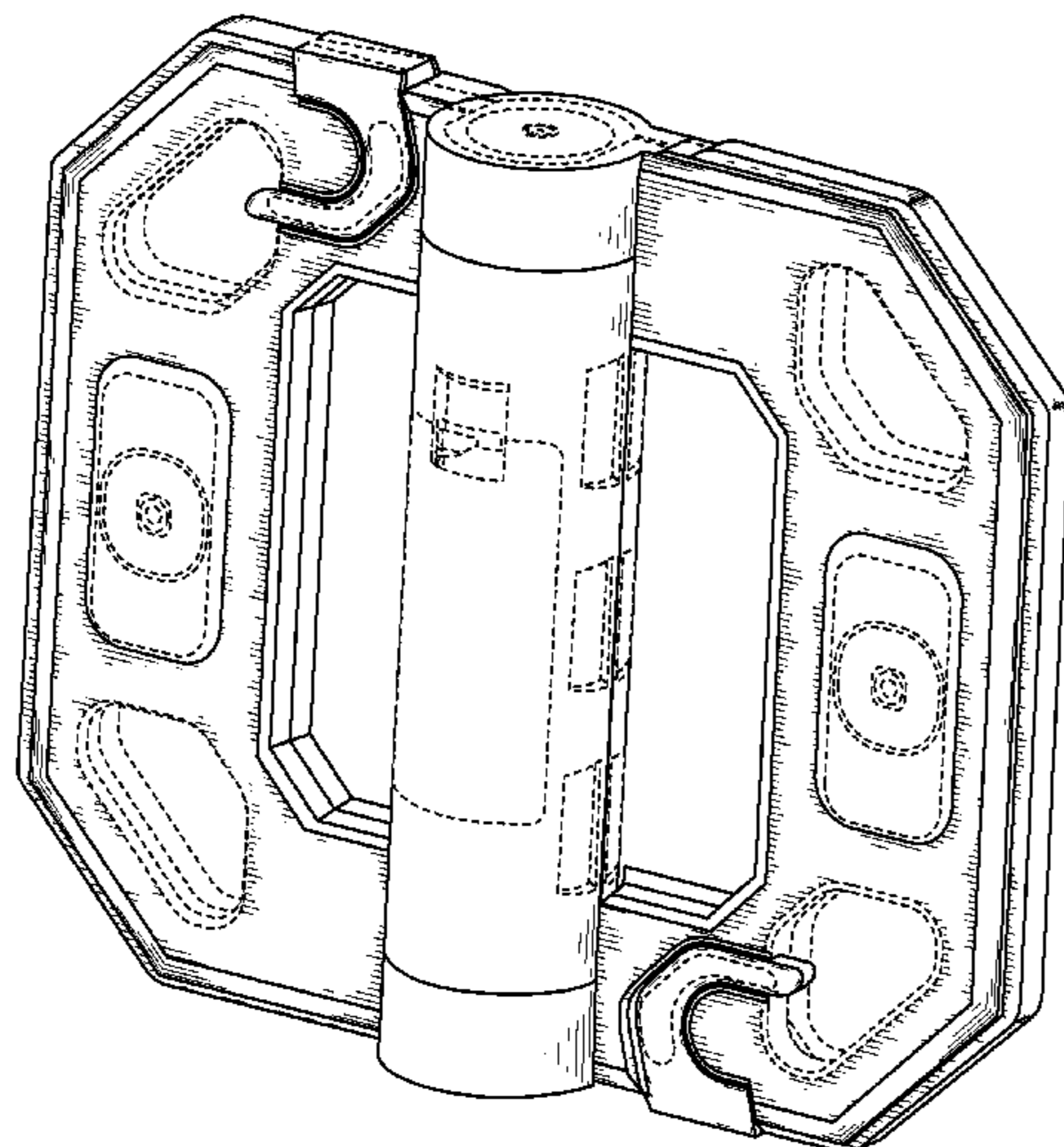
FIG. 12 is a bottom plan view of the work light of FIG. 8;

FIG. 13 is a left-side elevation view of the work light of FIG. 8; and,

FIG. 14 is a right-side elevation view of the work light of FIG. 8.

The broken lines shown represent unclaimed subject matter and form no part of the claimed design.

1 Claim, 10 Drawing Sheets



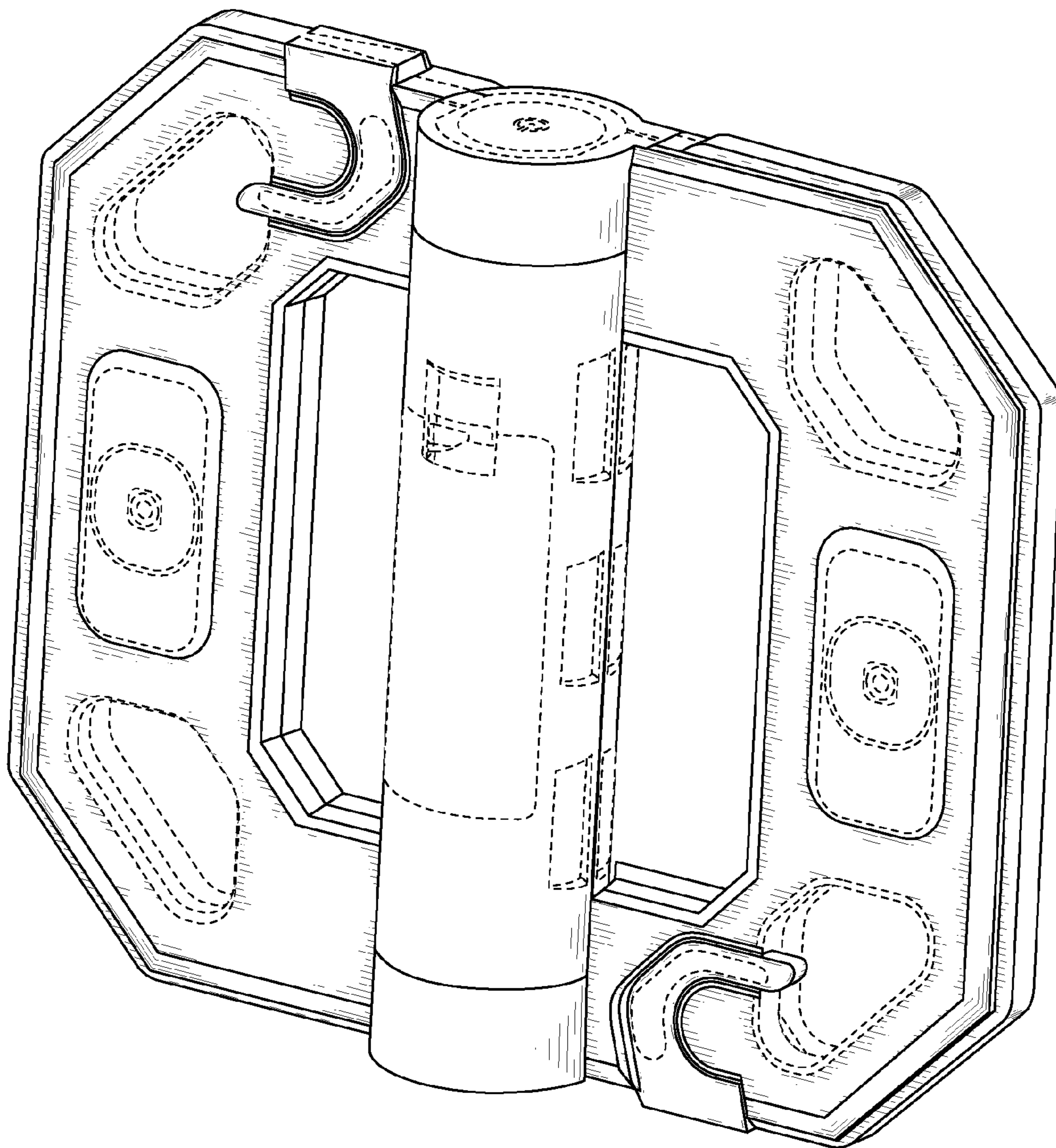


FIG. 1

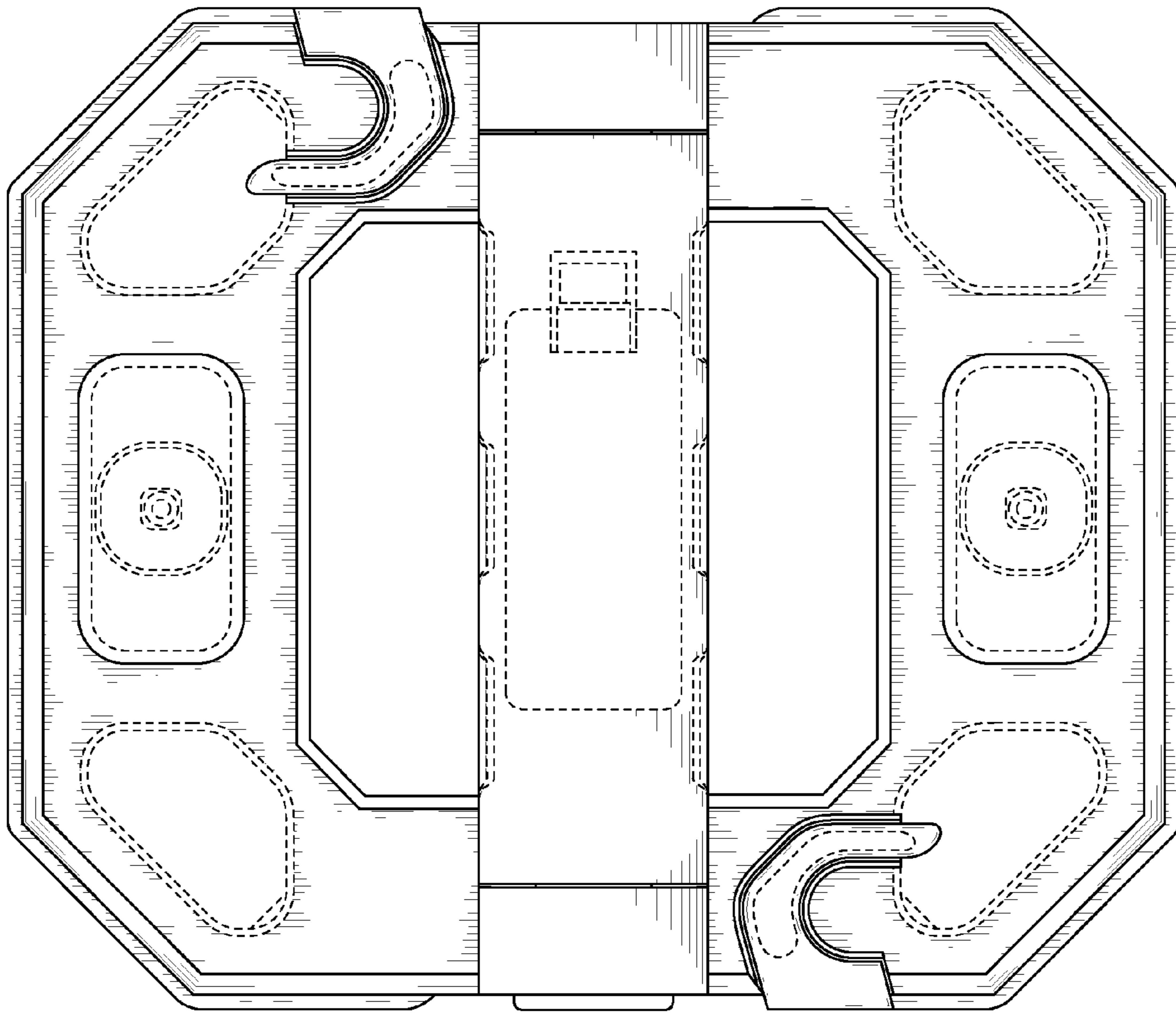


FIG. 2

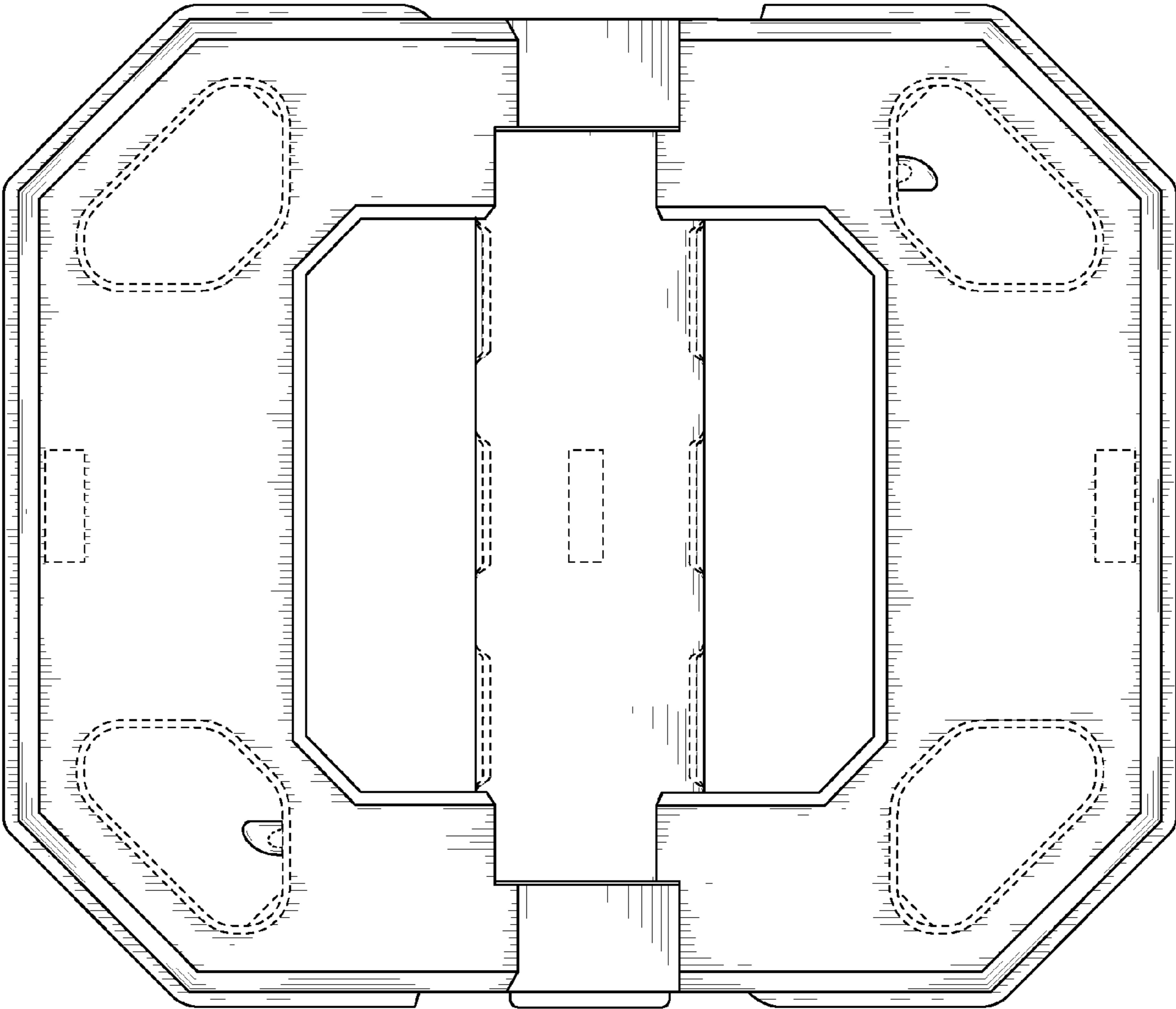


FIG. 3

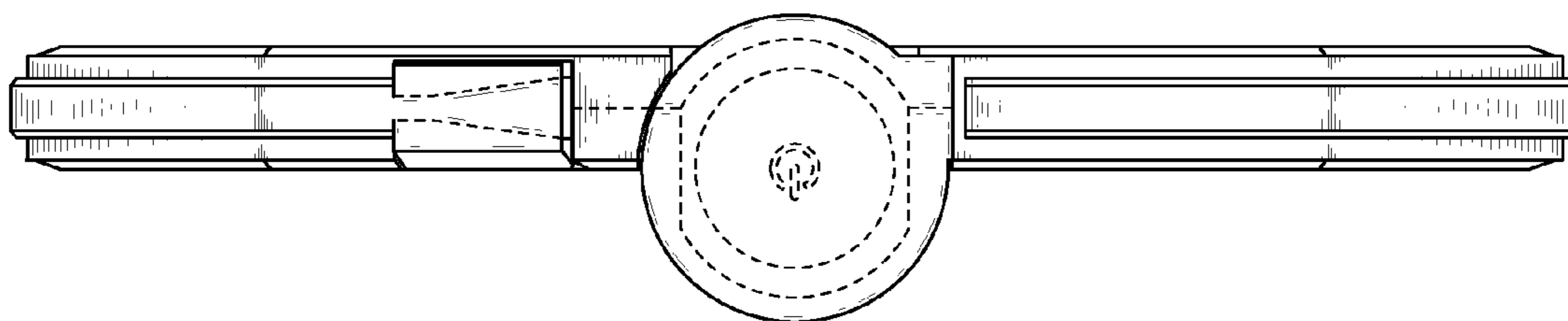


FIG. 4

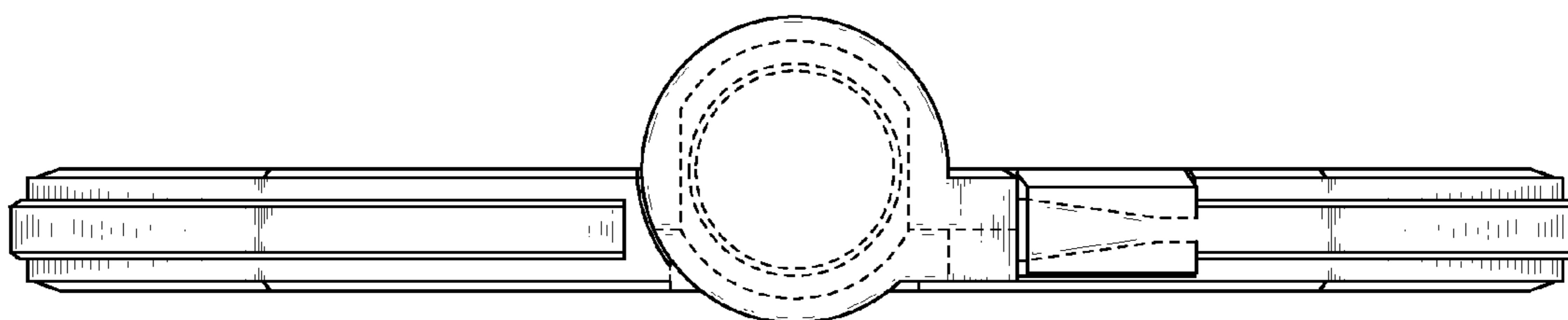


FIG. 5

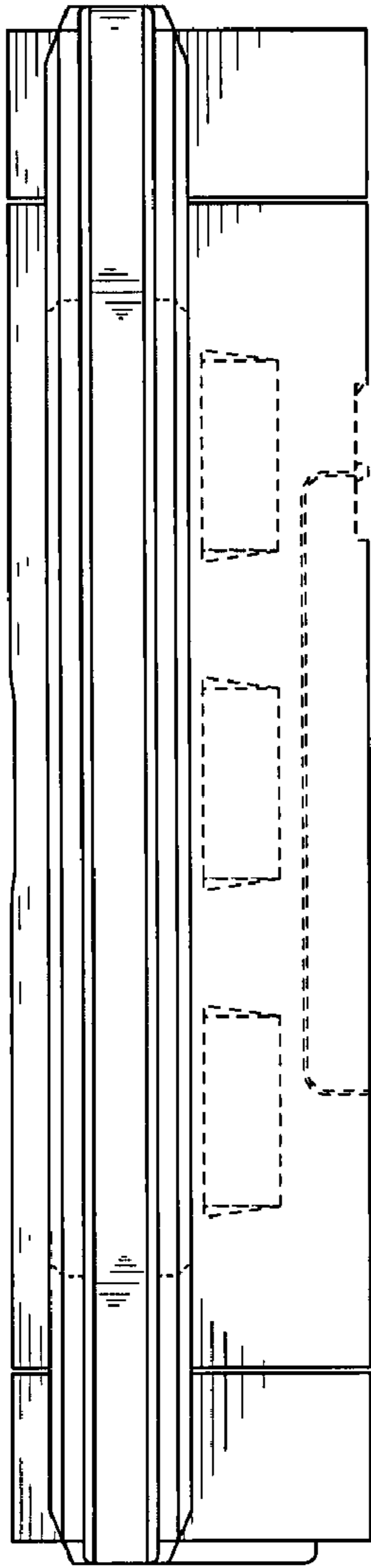


FIG. 6

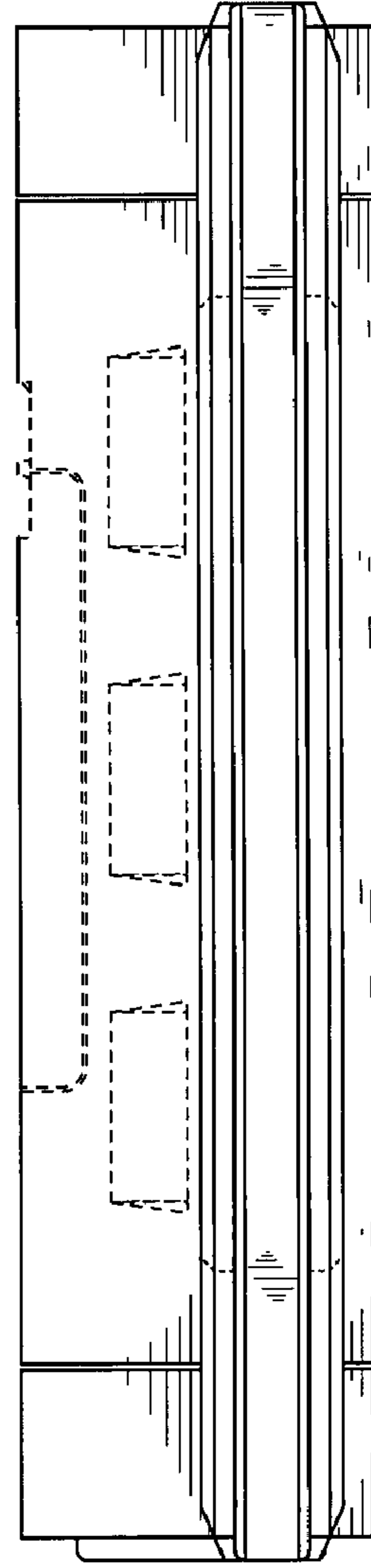


FIG. 7

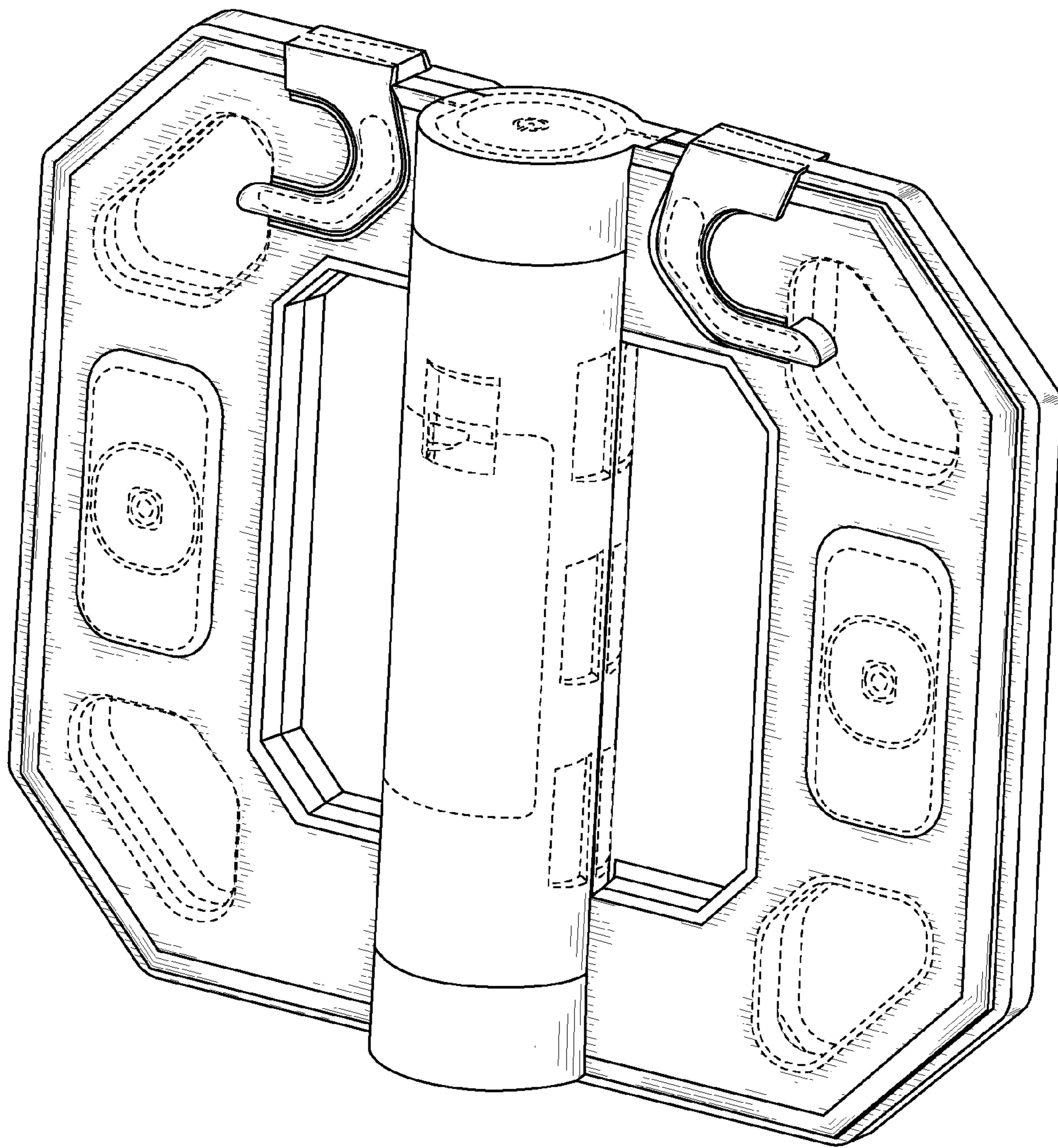


FIG. 8

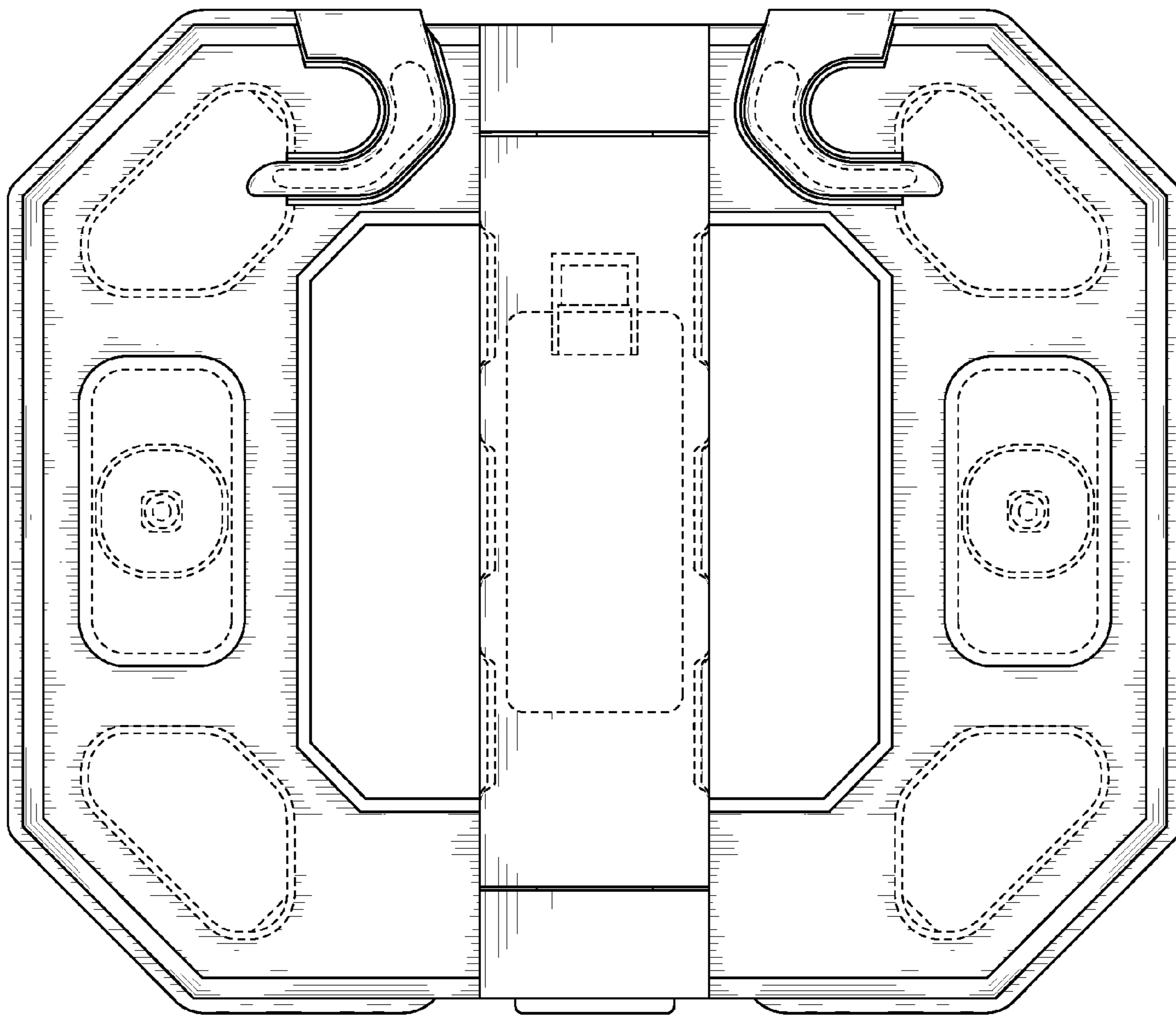


FIG. 9

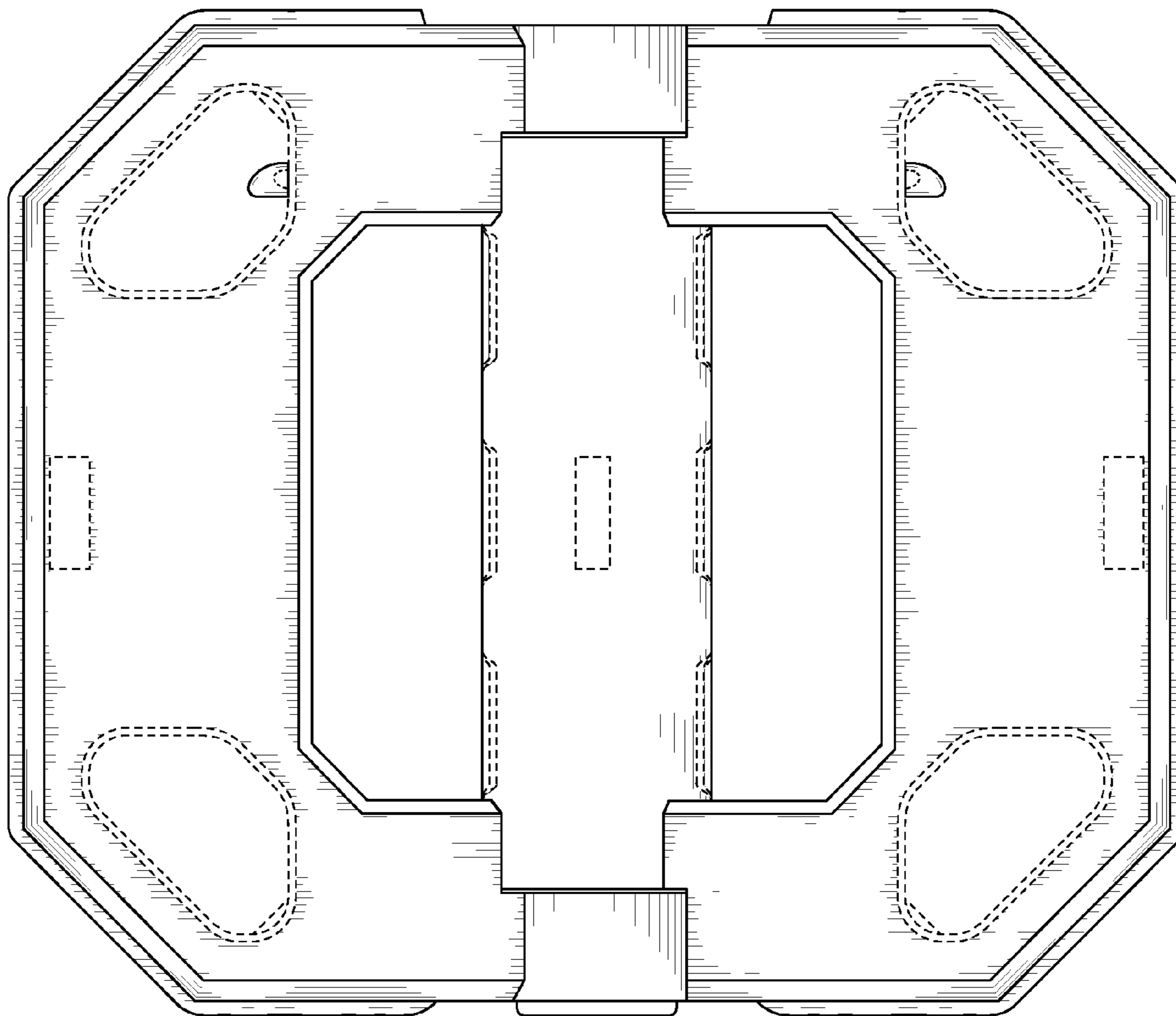


FIG. 10

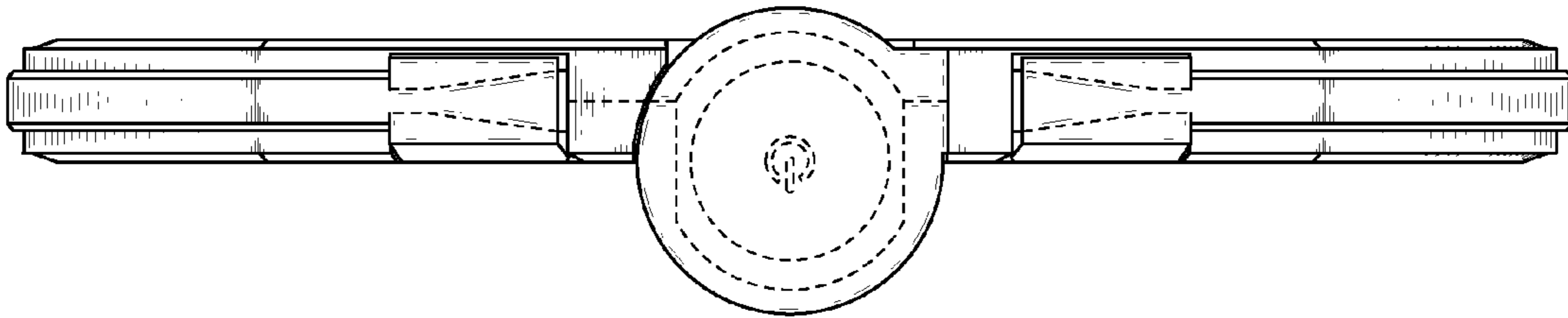


FIG. 11

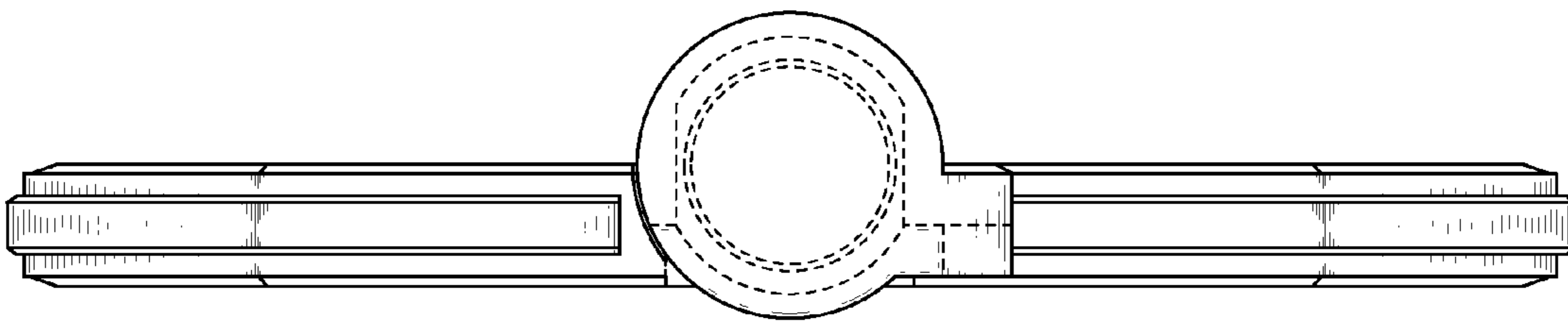


FIG. 12

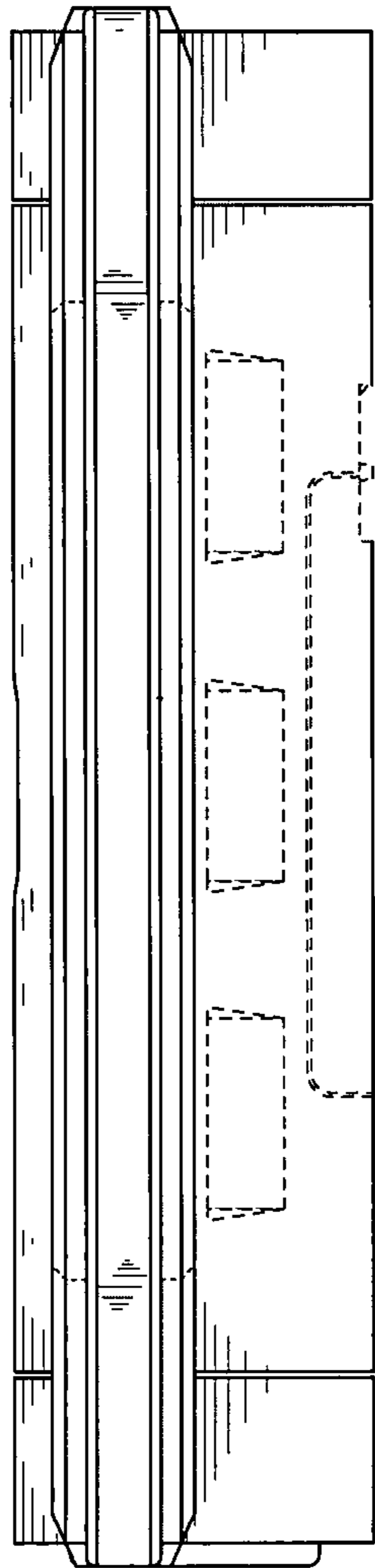


FIG. 13

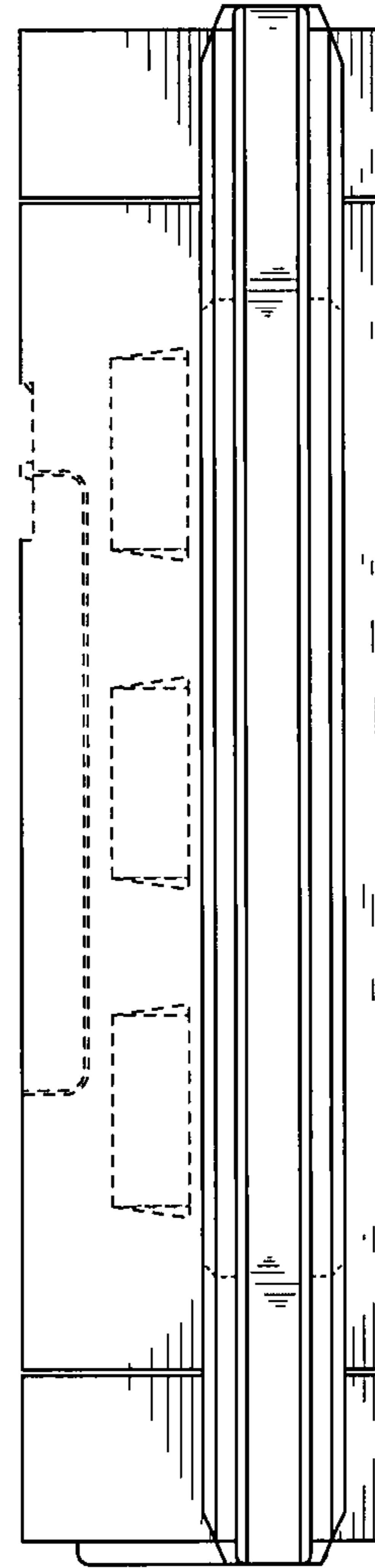


FIG. 14