



US00D638151S

(12) **United States Design Patent**  
**Hung**

(10) **Patent No.:** **US D638,151 S**

(45) **Date of Patent:** **\*\* May 17, 2011**

(54) **HEADLIGHT FOR MOTORCYCLES**

D596,767 S \* 7/2009 Idei ..... D26/28  
D600,374 S \* 9/2009 Brew et al. .... D26/28  
D605,793 S \* 12/2009 Weil ..... D26/28

(75) Inventor: **Mu-Chen Hung**, Kaohsiung Hsien (TW)

\* cited by examiner

(73) Assignee: **Taiwan Golden Bee Co., Ltd.**,  
Kaohsiung Hsien (TW)

*Primary Examiner* — Marcus A Jackson

(74) *Attorney, Agent, or Firm* — Leong C. Lei

(\*\*) Term: **14 Years**

(57) **CLAIM**

(21) Appl. No.: **29/367,644**

The ornamental design for a headlight for motorcycles, as shown and described.

(22) Filed: **Aug. 11, 2010**

(51) **LOC (9) Cl.** ..... **26-06**

(52) **U.S. Cl.** ..... **D26/28**

(58) **Field of Classification Search** ..... D26/28-36;  
362/459-468, 475-478, 485-487

See application file for complete search history.

**DESCRIPTION**

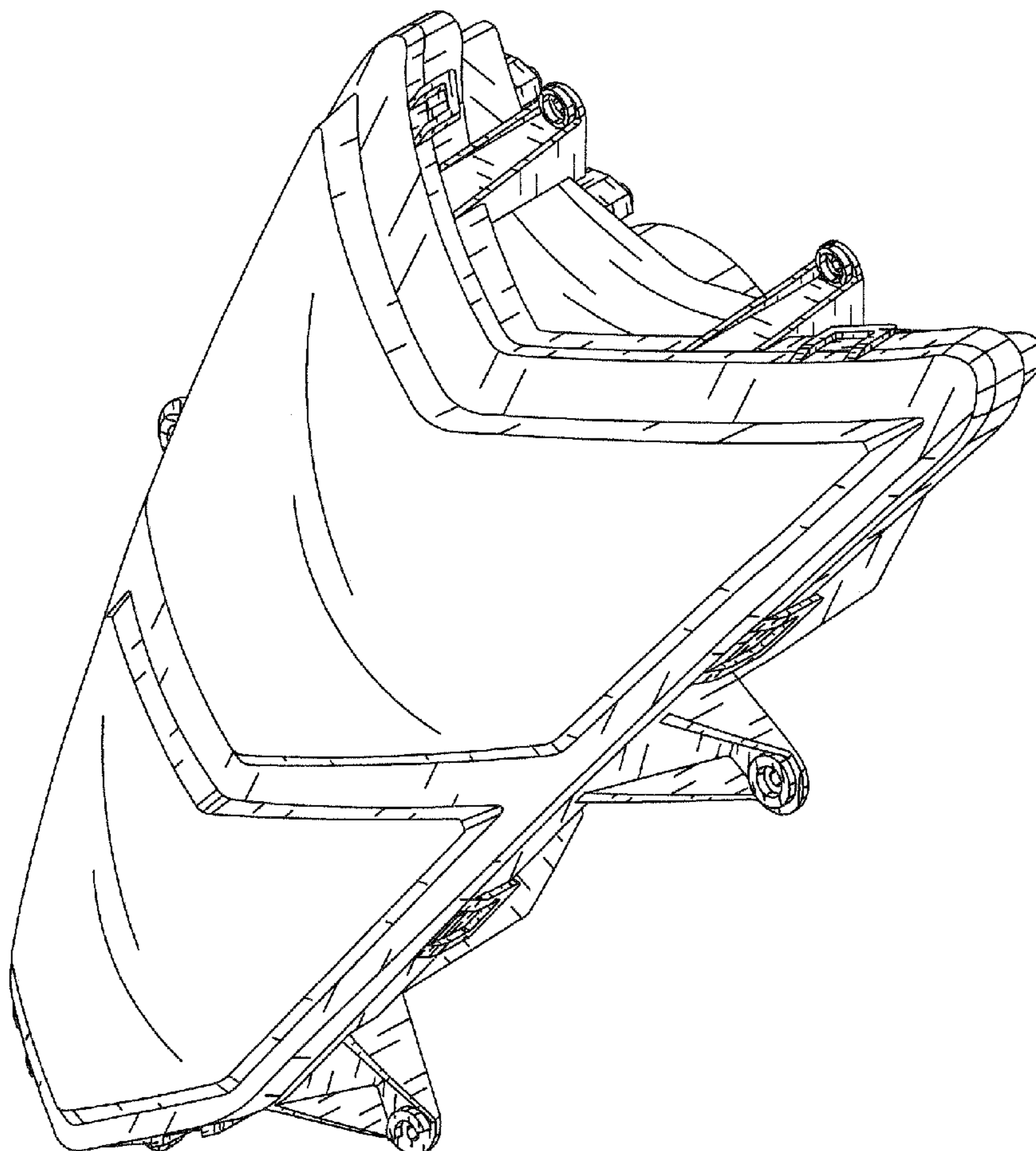
(56) **References Cited**

FIG. 1 is a front perspective view of a headlight for motorcycles showing my new design;  
FIG. 2 is a front elevational view thereof;  
FIG. 3 is a rear elevational view thereof;  
FIG. 4 is a left elevational view thereof;  
FIG. 5 is a right elevational view thereof;  
FIG. 6 is a top plan view thereof; and,  
FIG. 7 is a bottom plan view thereof.

U.S. PATENT DOCUMENTS

D569,016 S \* 5/2008 Tsukui et al. .... D26/28  
D580,569 S \* 11/2008 Ohashi et al. .... D26/28

**1 Claim, 7 Drawing Sheets**



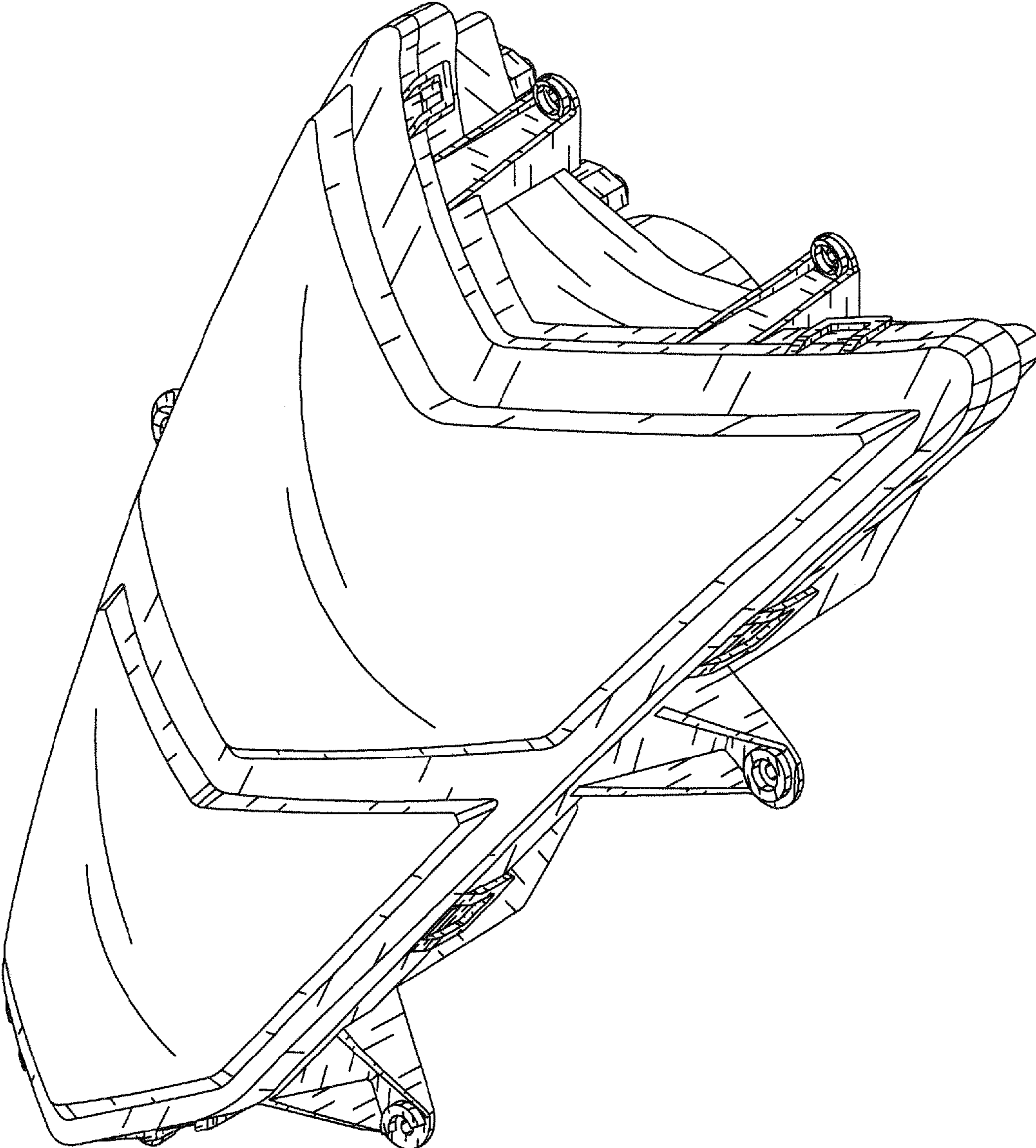


FIG. 1

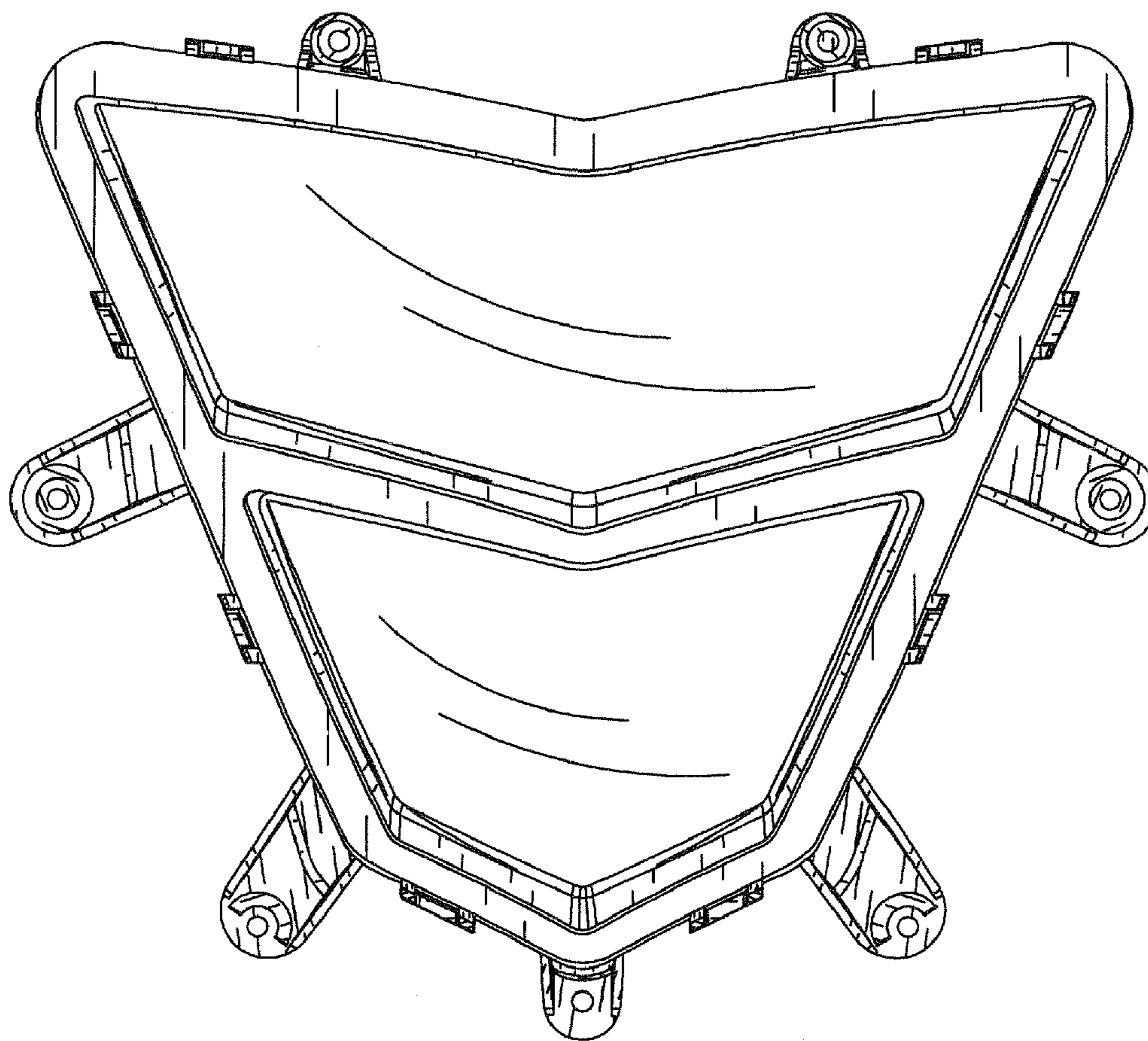


FIG. 2

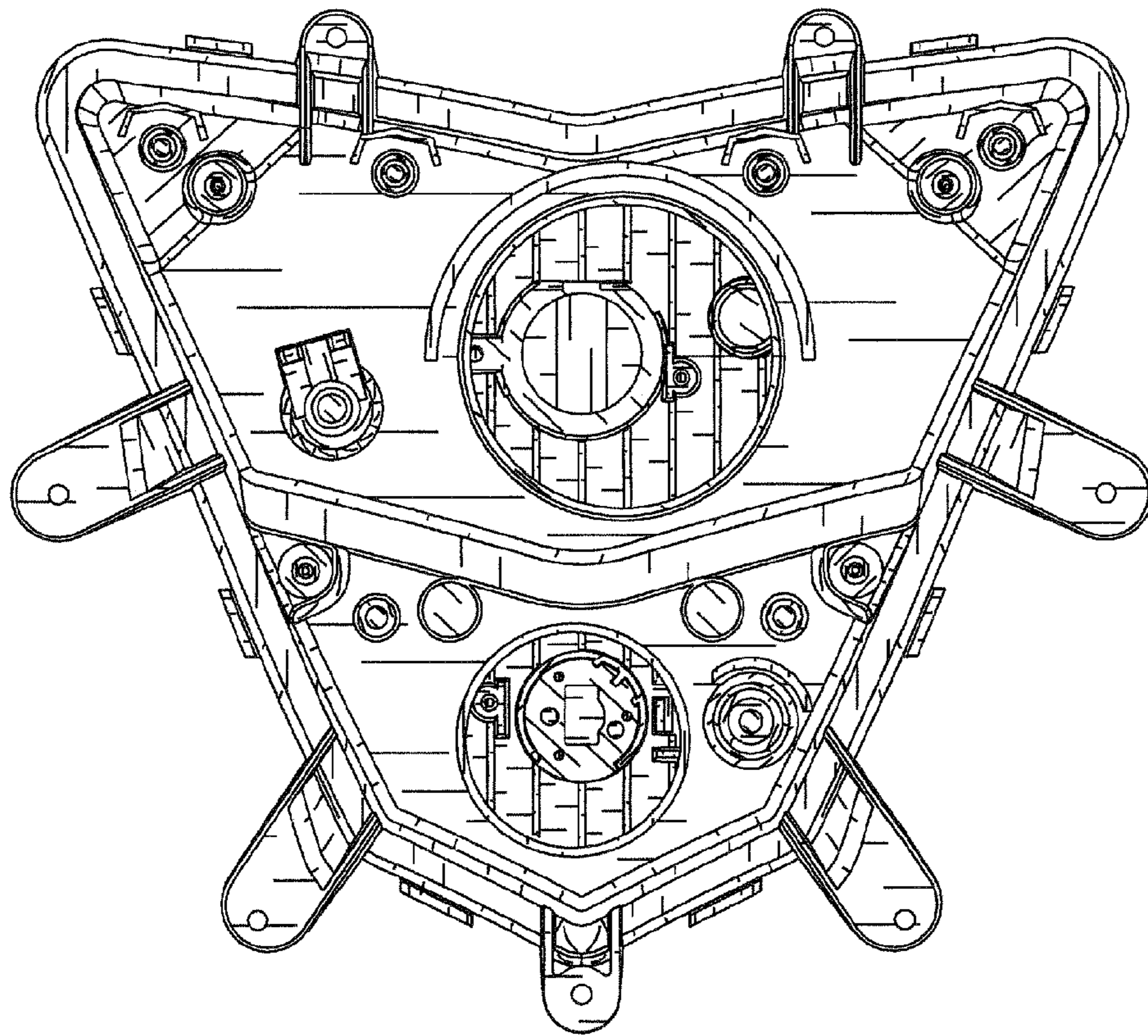


FIG. 3

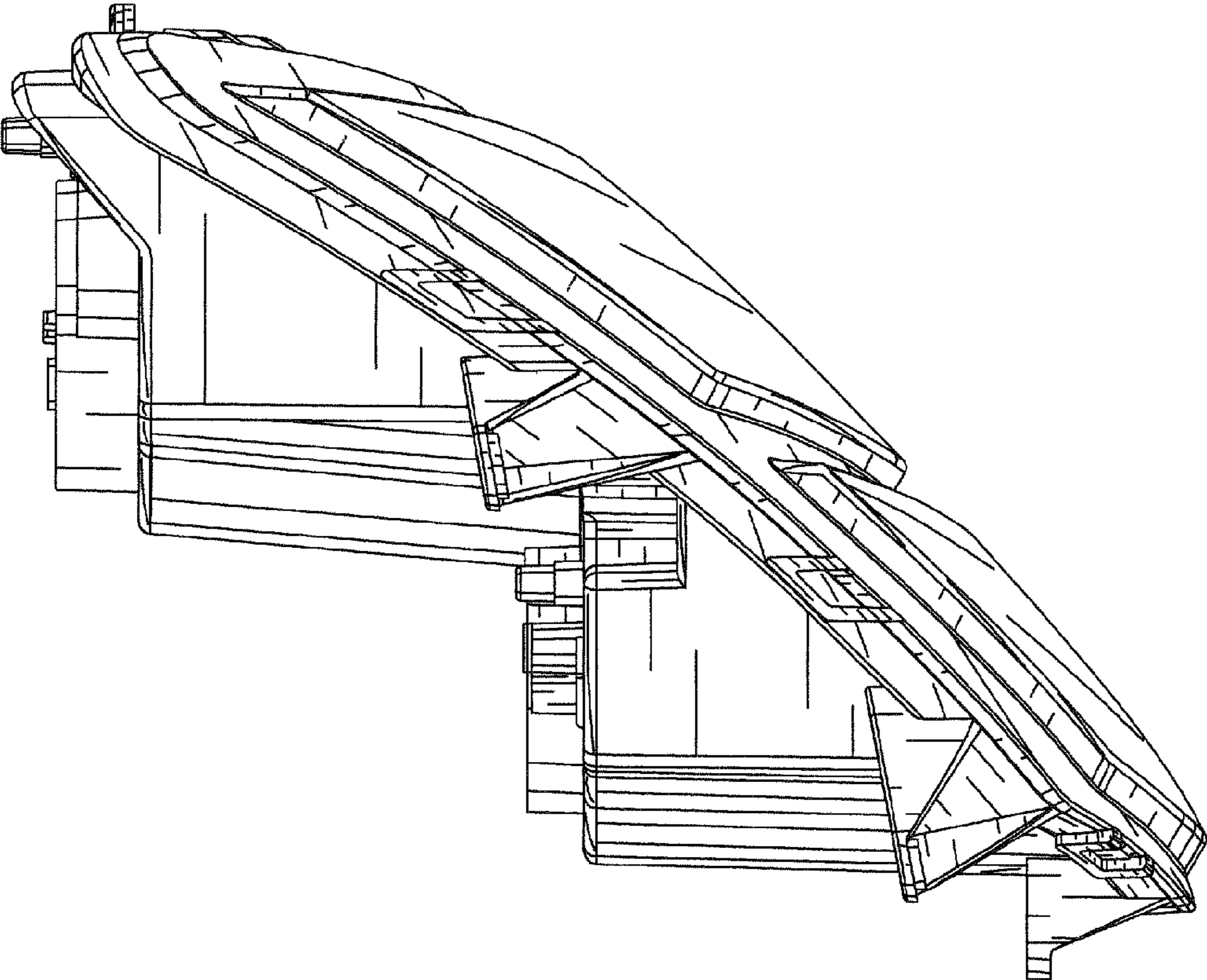


FIG. 4

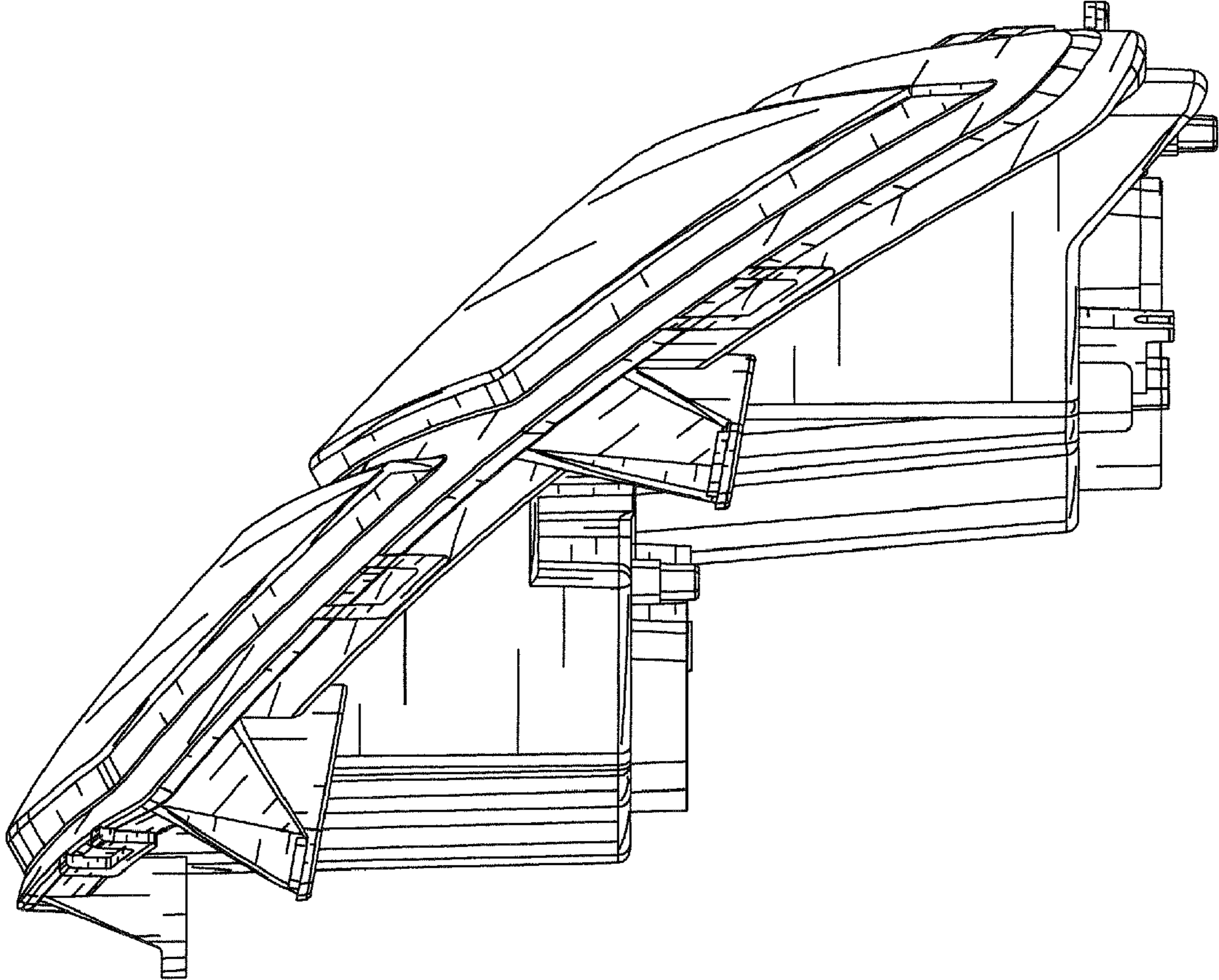


FIG. 5

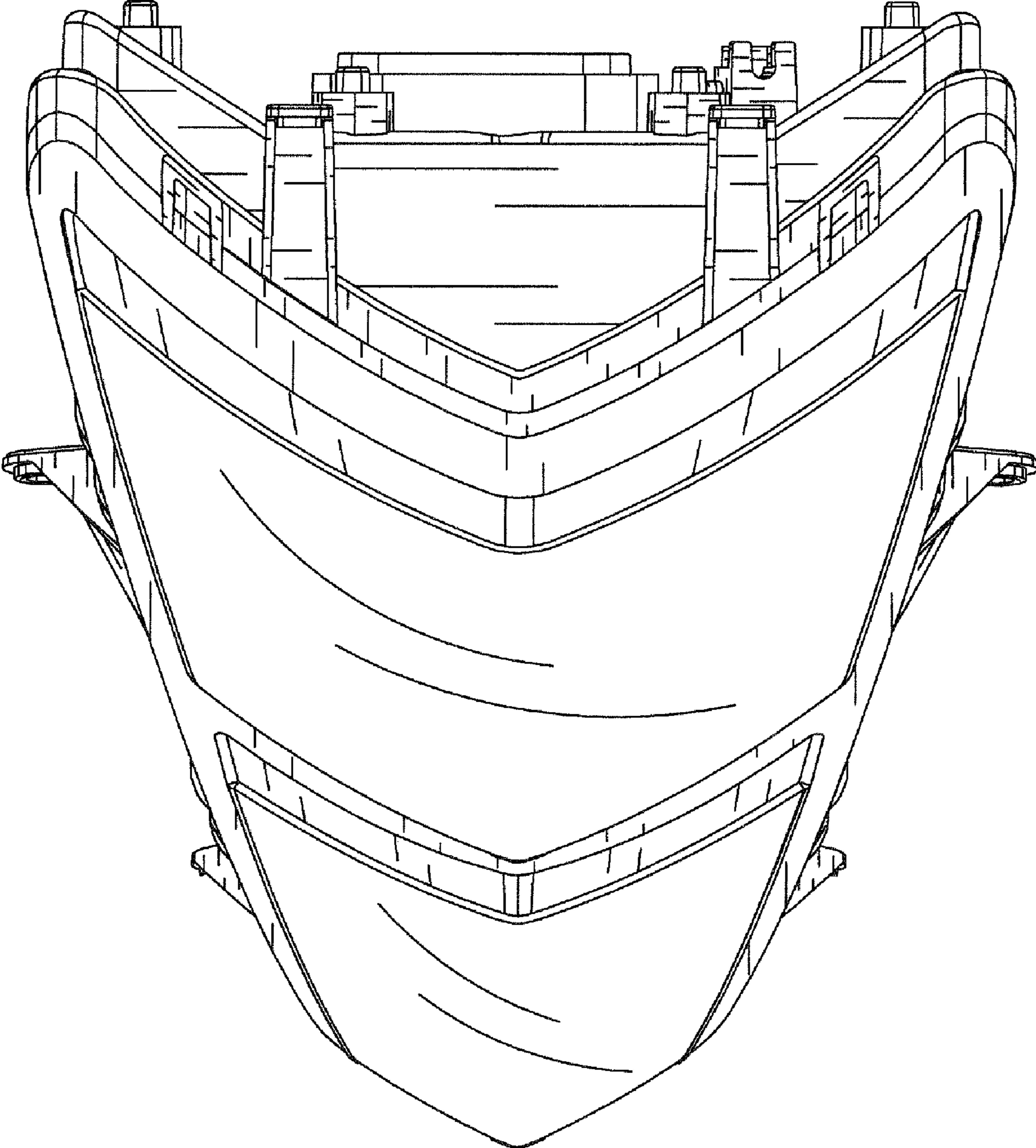


FIG. 6

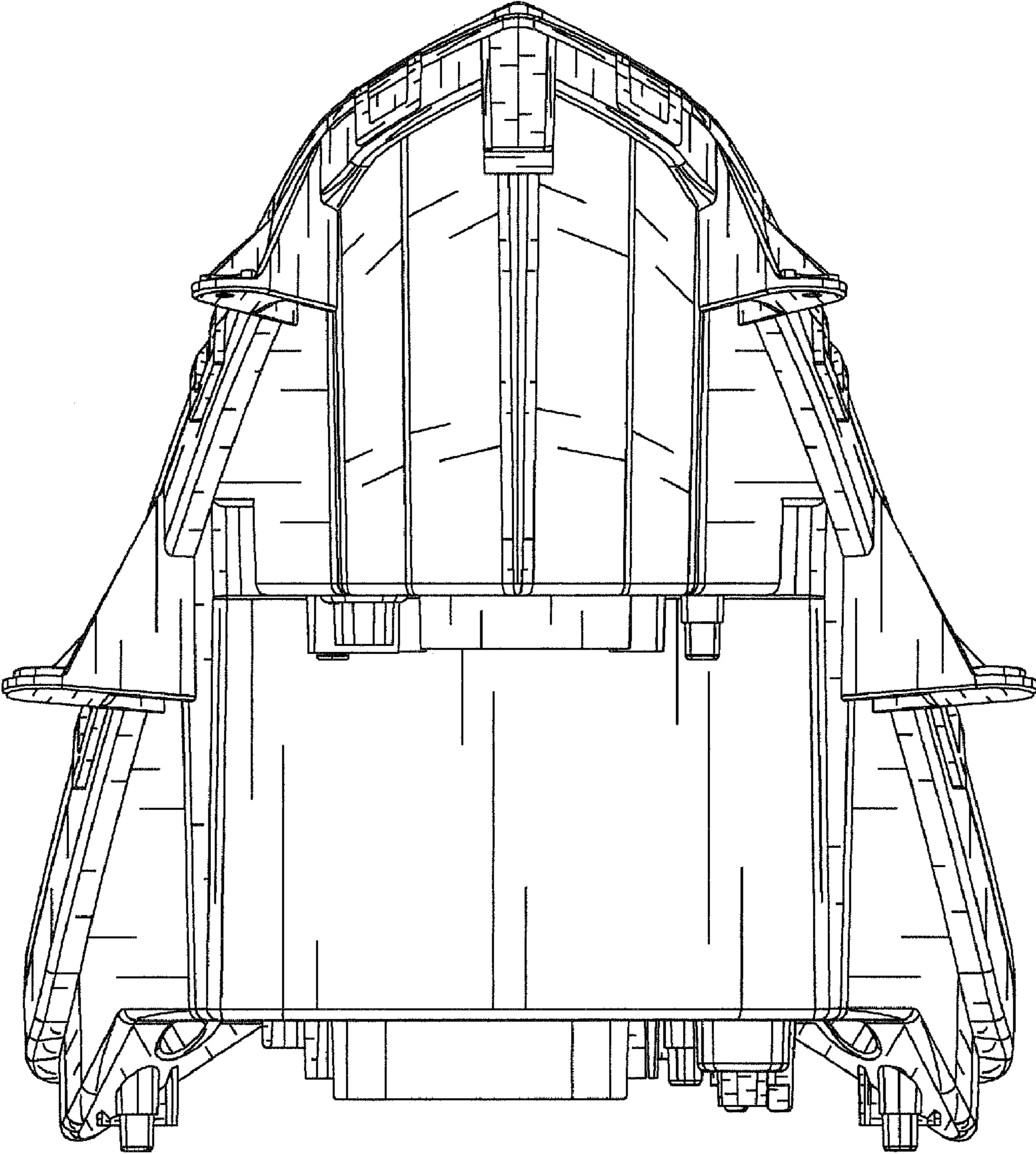


FIG. 7