



US00D638149S

(12) **United States Design Patent**  
**Vámos**

(10) **Patent No.:** **US D638,149 S**

(45) **Date of Patent:** **\*\* \*May 17, 2011**

(54) **LAMP**

(75) Inventor: **Zoltán Vámos, Bartók Béla (HU)**

(73) Assignee: **General Electric Company,**  
Schenectady, NY (US)

(\*) Notice: This patent is subject to a terminal disclaimer.

(\*\*) Term: **14 Years**

(21) Appl. No.: **29/289,266**

(22) Filed: **Jul. 13, 2007**

(51) **LOC (9) Cl.** ..... **26-04**

(52) **U.S. Cl.** ..... **D26/3**

(58) **Field of Classification Search** ..... D26/1-4;  
313/313, 315, 316, 317, 318, 493; 315/52,  
315/53, 56, 57, 58

See application file for complete search history.

(56) **References Cited**

**U.S. PATENT DOCUMENTS**

6,064,155 A 5/2000 Maya et al.  
D485,377 S \* 1/2004 Vakil ..... D26/2

D494,688 S \* 8/2004 Van de Ven et al. .... D26/2  
D499,820 S \* 12/2004 Foo ..... D26/2  
D504,732 S \* 5/2005 Yang ..... D26/2  
D520,151 S \* 5/2006 Nakanishi et al. .... D26/2  
D563,573 S \* 3/2008 Vamos ..... D26/2

\* cited by examiner

*Primary Examiner* — Marcus A Jackson

(74) *Attorney, Agent, or Firm* — Fay Sharpe LLP

(57) **CLAIM**

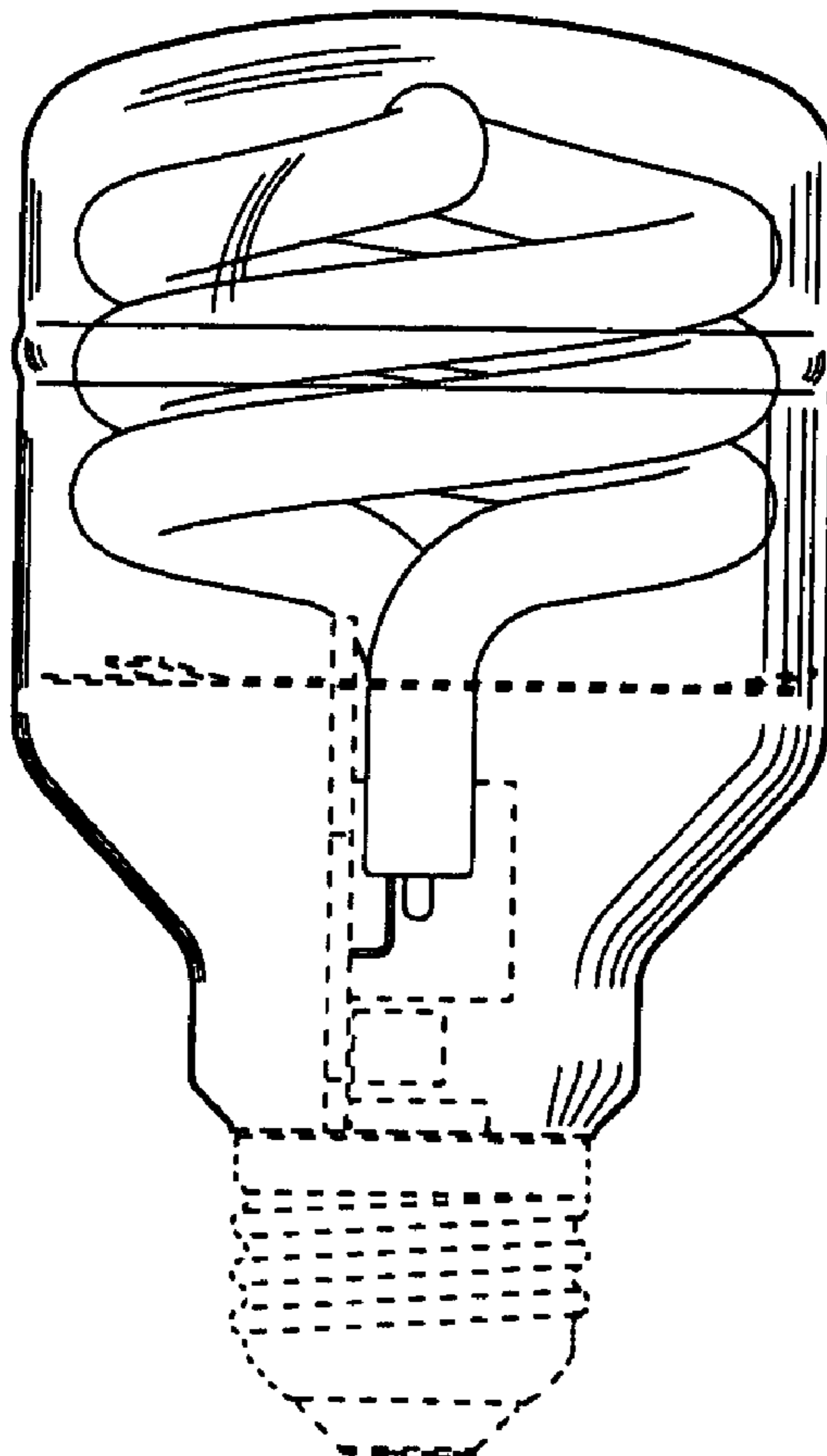
We claim the ornamental design for an lamp, as shown and described.

**DESCRIPTION**

FIG. 1 is a front view of a lamp of the present invention;  
FIG. 2 is a rear view thereof;  
FIG. 3 is a first side view thereof;  
FIG. 4 is a second side view thereof;  
FIG. 5 is a top view thereof; and,  
FIG. 6 is a bottom view thereof.

The broken line disclosure of the lamp base and components within the outer envelope is for illustrative purposes only and forms no part of the claimed design.

**1 Claim, 3 Drawing Sheets**



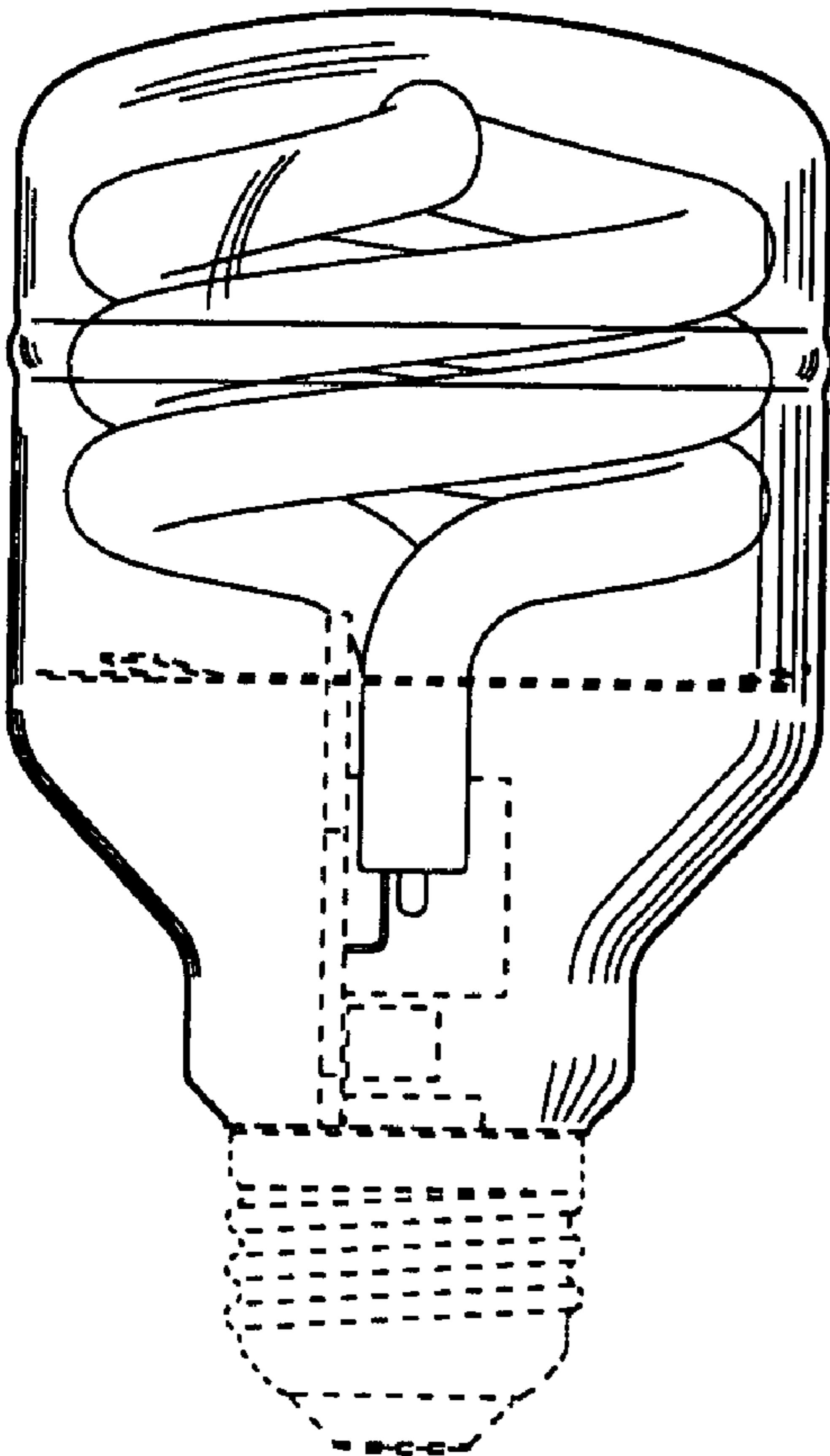


Fig. 1

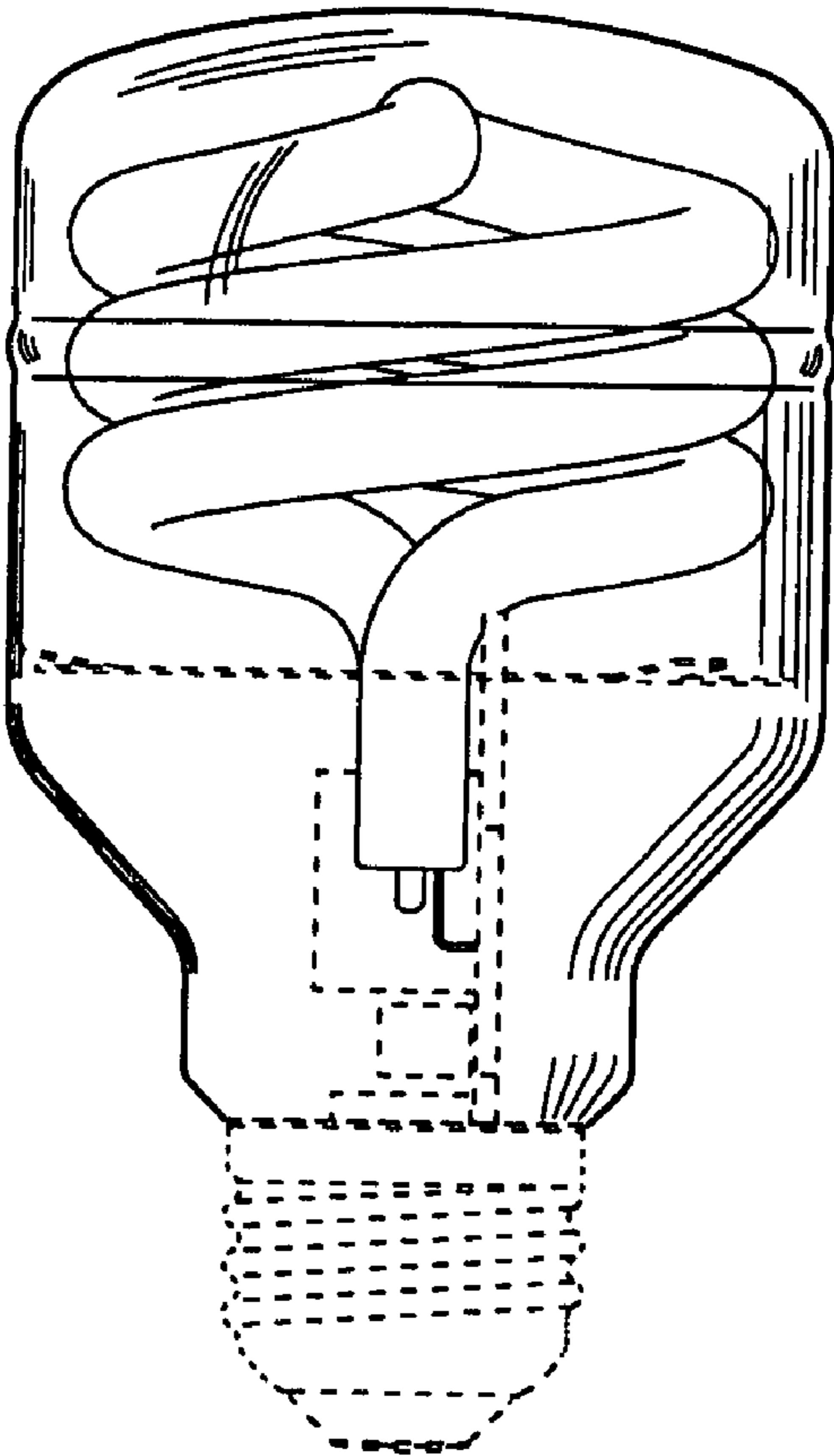


Fig. 2

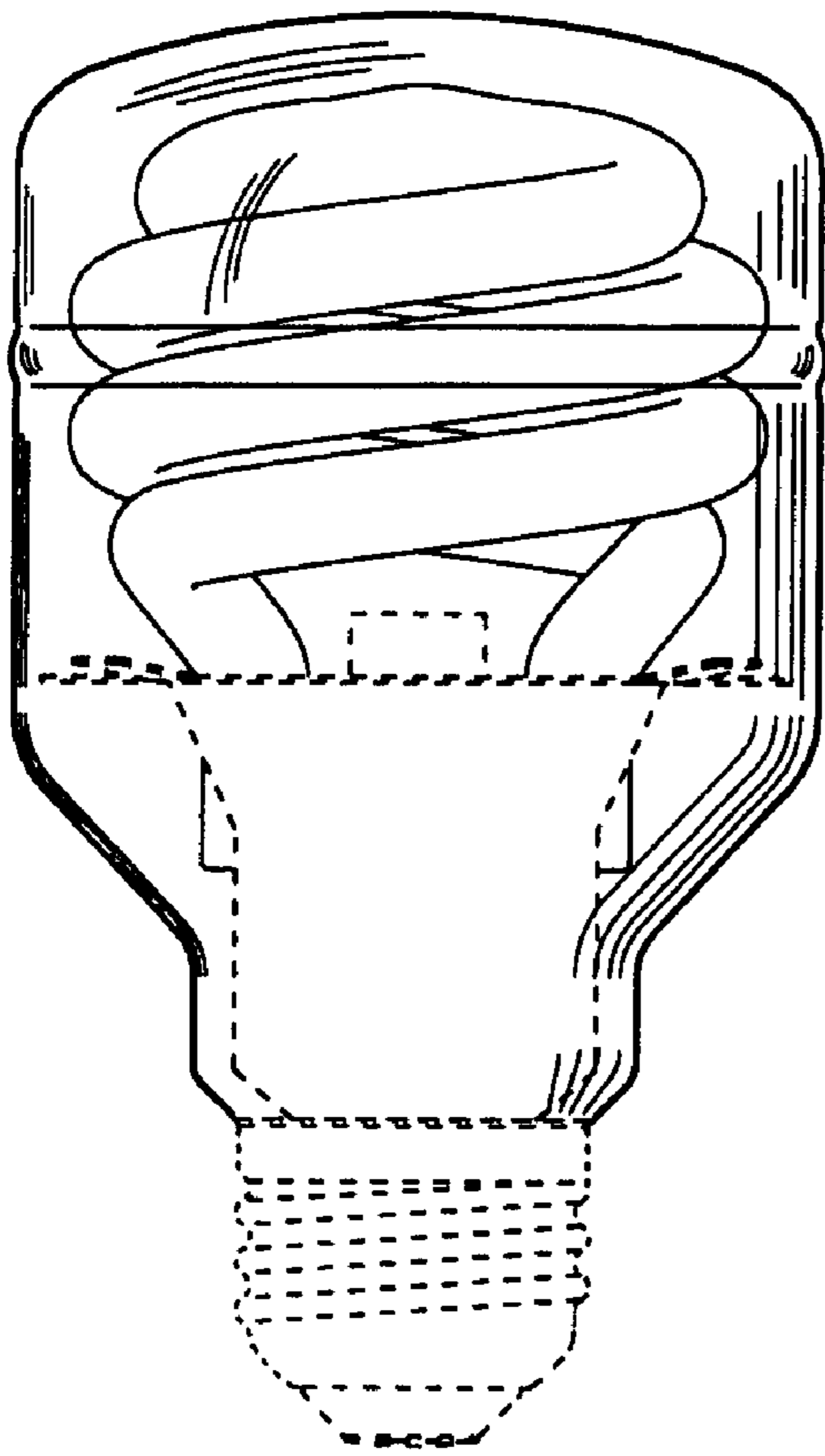


Fig. 3

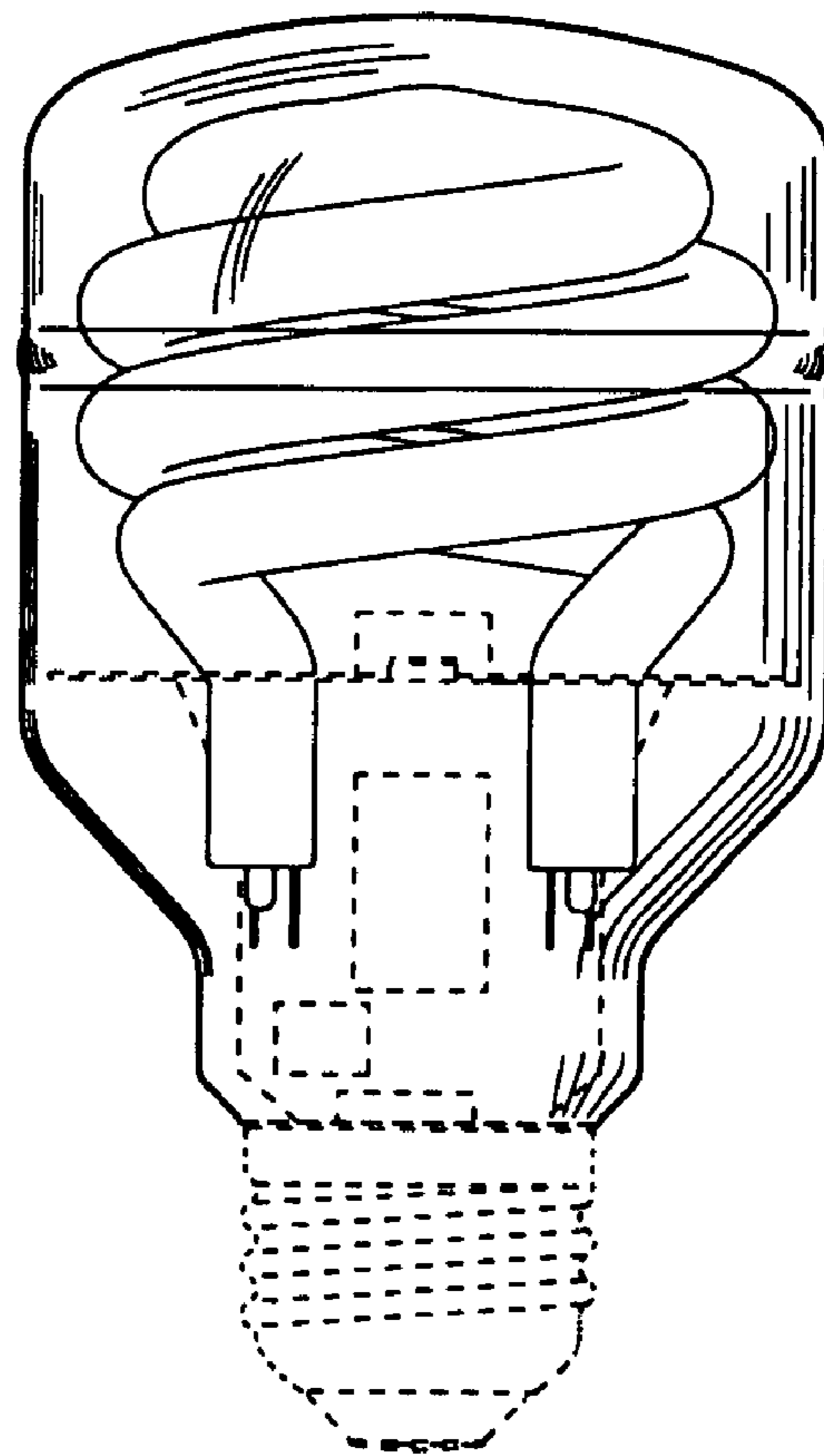


Fig. 4

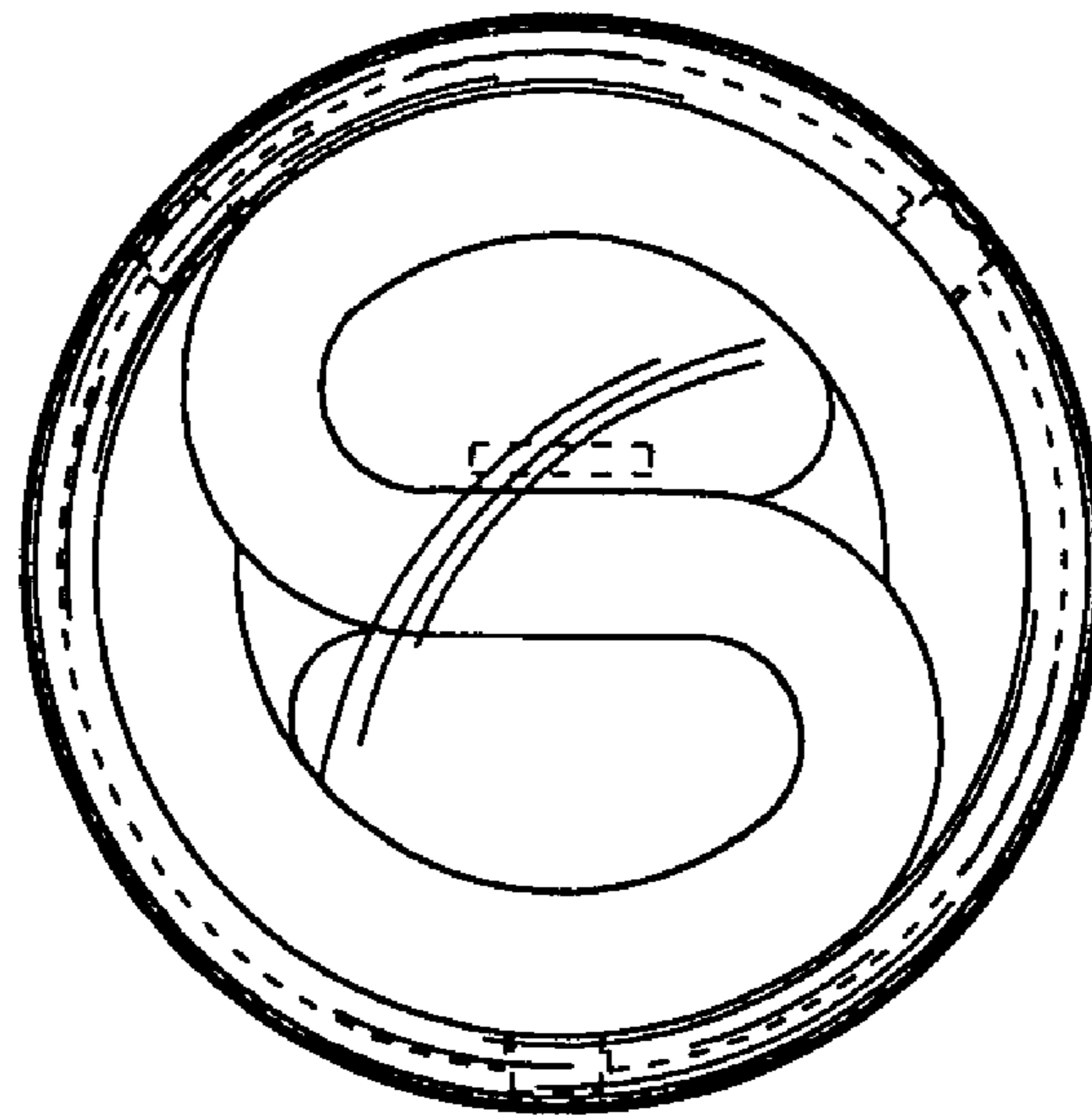


Fig. 5

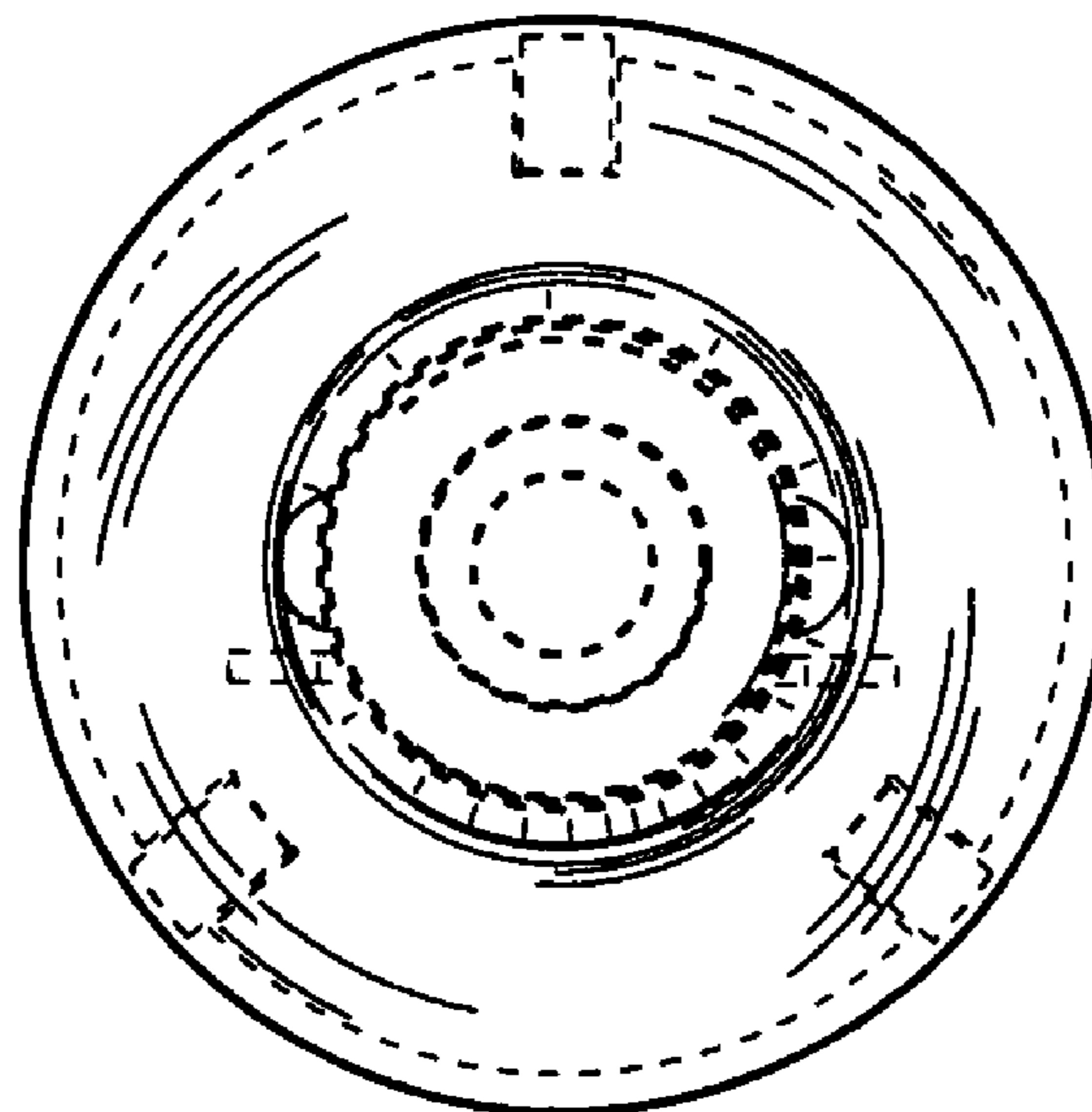


Fig. 6