



US00D638146S

(12) **United States Design Patent**
Elwell

(10) **Patent No.:** **US D638,146 S**

(45) **Date of Patent:** **** May 17, 2011**

(54) **DOME LIGHT REPLACEMENT PACKAGE**

(75) Inventor: **James P. Elwell**, Johnston, IA (US)

(73) Assignee: **Putco, Inc.**, Story City, IA (US)

(**) Term: **14 Years**

(21) Appl. No.: **29/302,763**

(22) Filed: **Jan. 24, 2008**

(51) **LOC (9) Cl.** **26-04**

(52) **U.S. Cl.** **D26/1**

(58) **Field of Classification Search** D26/1-4;
313/313, 315, 316, 317, 318, 493; 315/52,
315/53, 56, 57, 58; 340/521, 540, 541, 545,
340/555, 571, 572, 573

See application file for complete search history.

(56) **References Cited**

U.S. PATENT DOCUMENTS

D529,203 S * 9/2006 Nagai D26/1
D573,731 S * 7/2008 Uemoto et al. D26/24

D594,576 S * 6/2009 Chan et al. D26/1
* cited by examiner

Primary Examiner — Marcus Jackson

(74) *Attorney, Agent, or Firm* — McKee, Voorhees & Sease,
P.L.C.

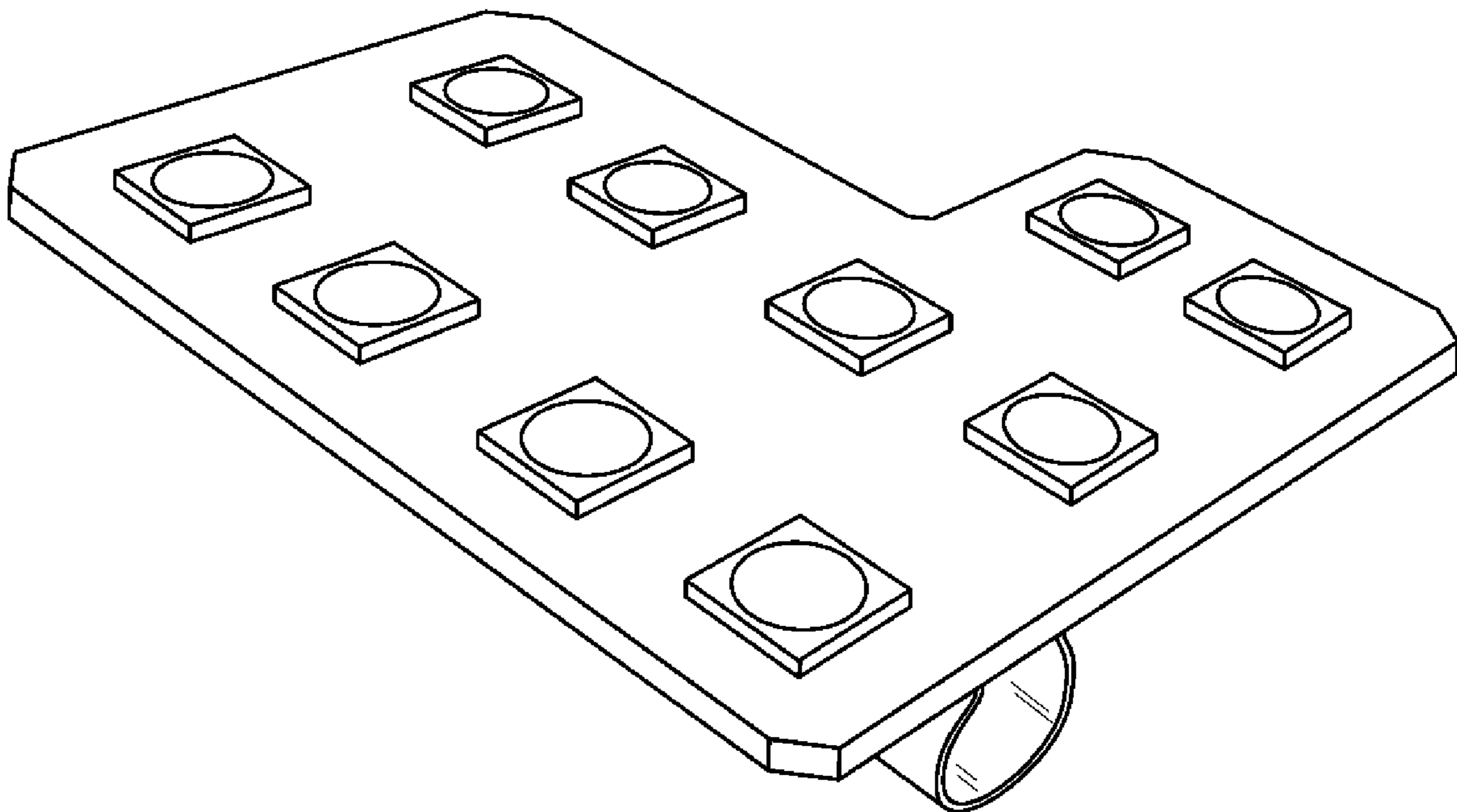
(57) **CLAIM**

The ornamental design for a dome light replacement package,
as shown and described.

DESCRIPTION

FIG. 1 is a perspective view of the present invention.
FIG. 2 is a top elevational view thereof.
FIG. 3 is a bottom elevational view thereof.
FIG. 4 is a rear elevational view as taken from the rear of FIG.
2.
FIG. 5 is a front elevational view as taken from the front of
FIG. 2.
FIG. 6 is a left hand view as viewed from the left edge of FIG.
2; and,
FIG. 7 is an elevational view taken from the right edge of FIG.
2.

1 Claim, 3 Drawing Sheets



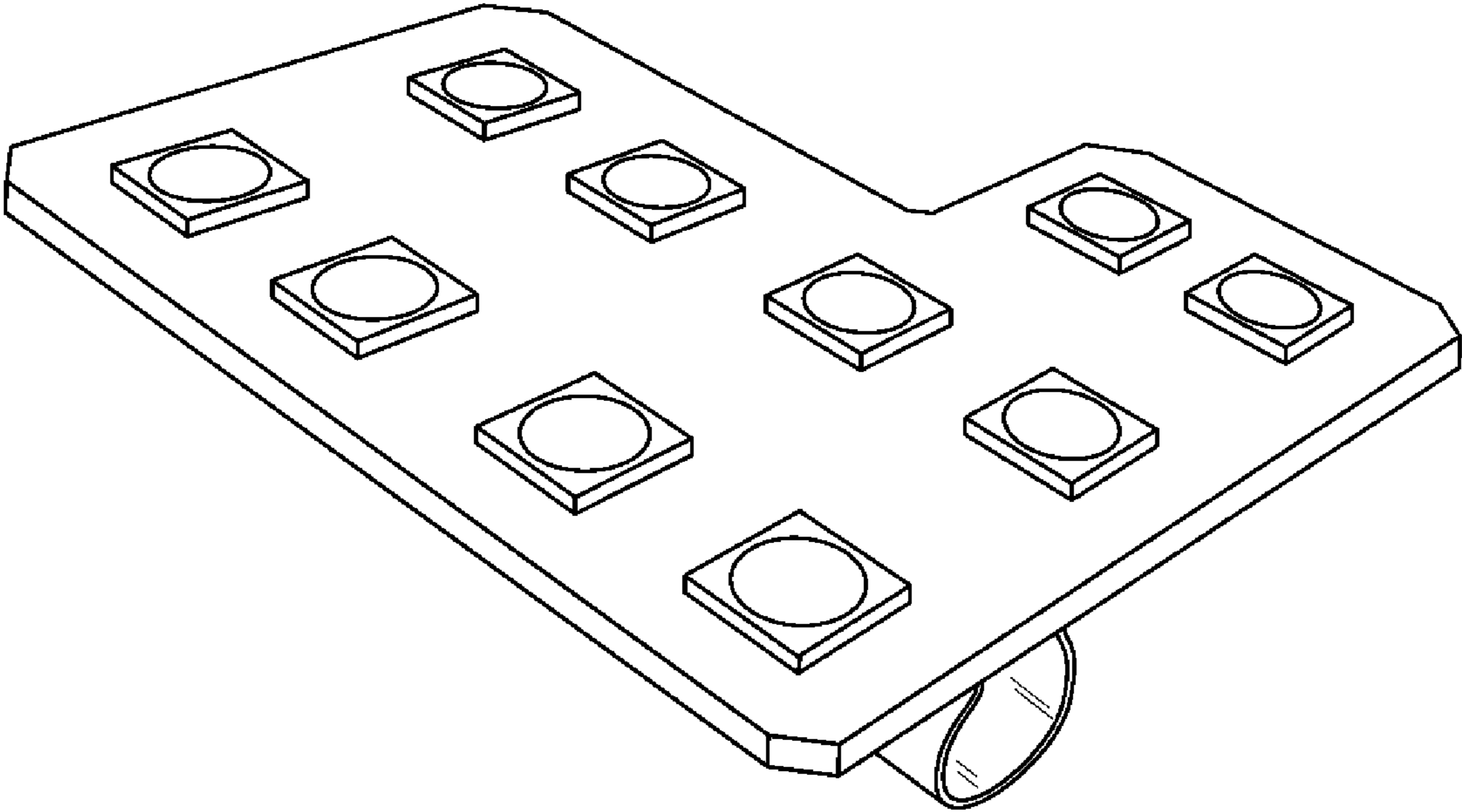


FIG. 1

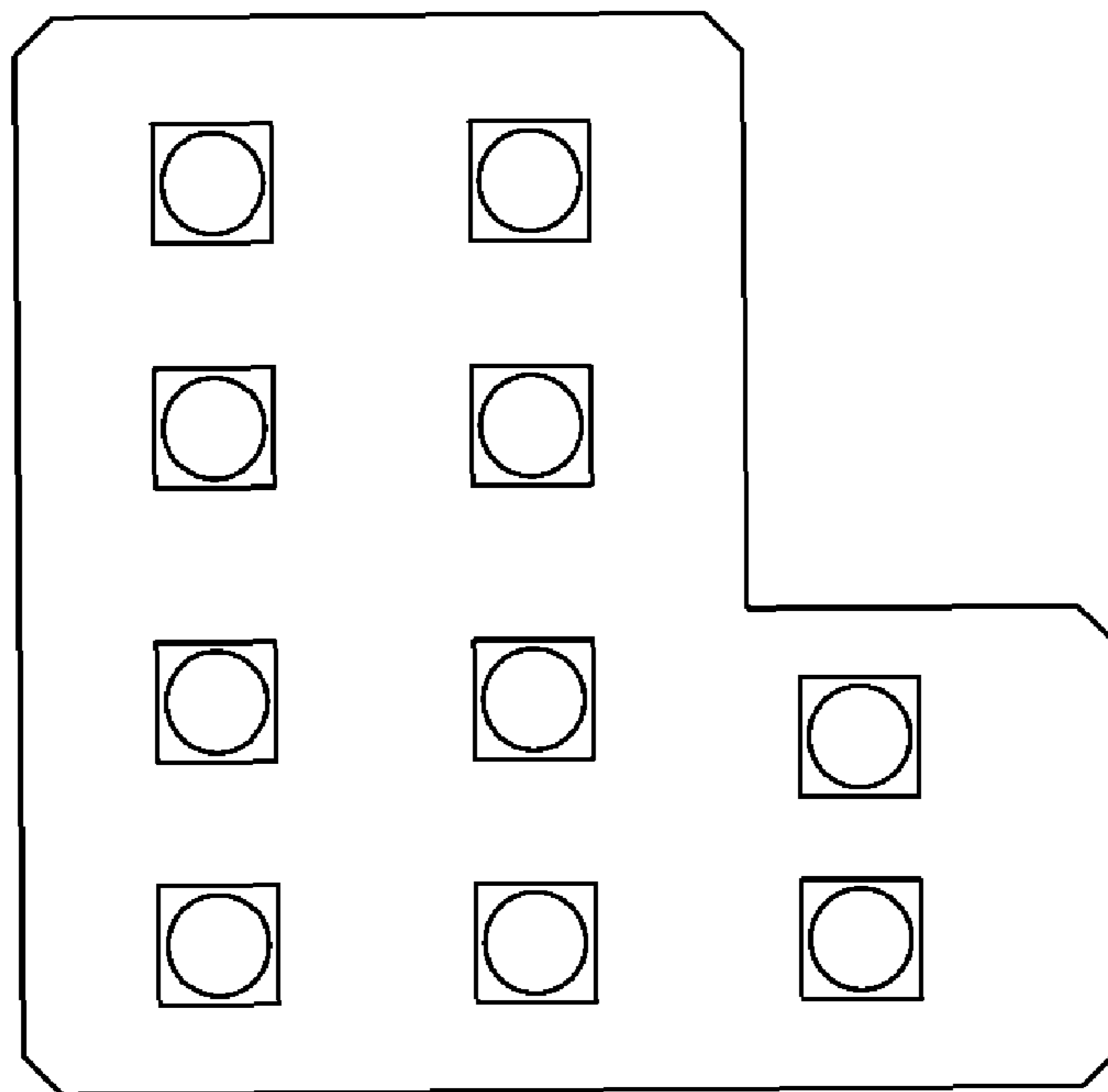


FIG. 2

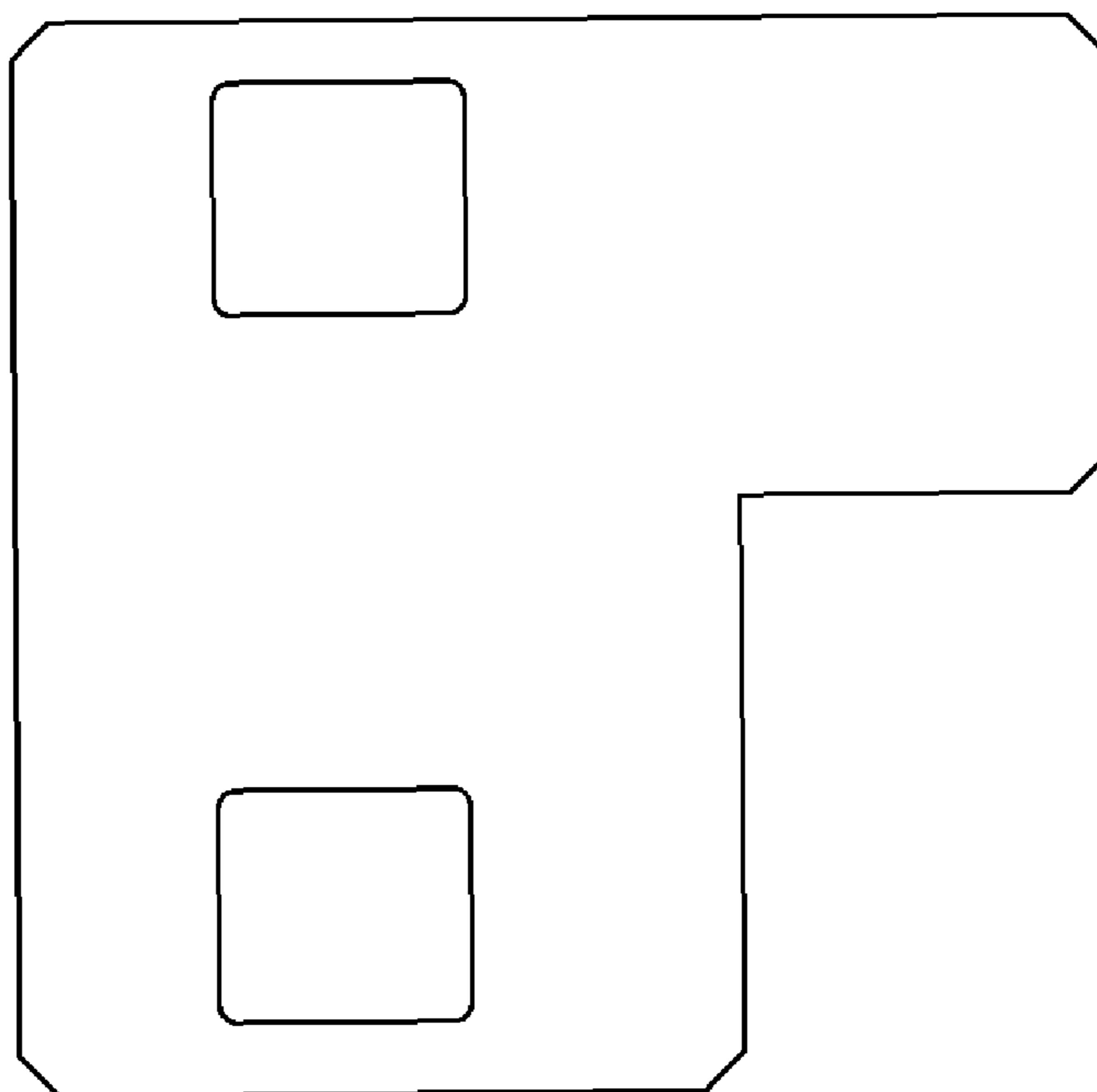


FIG. 3

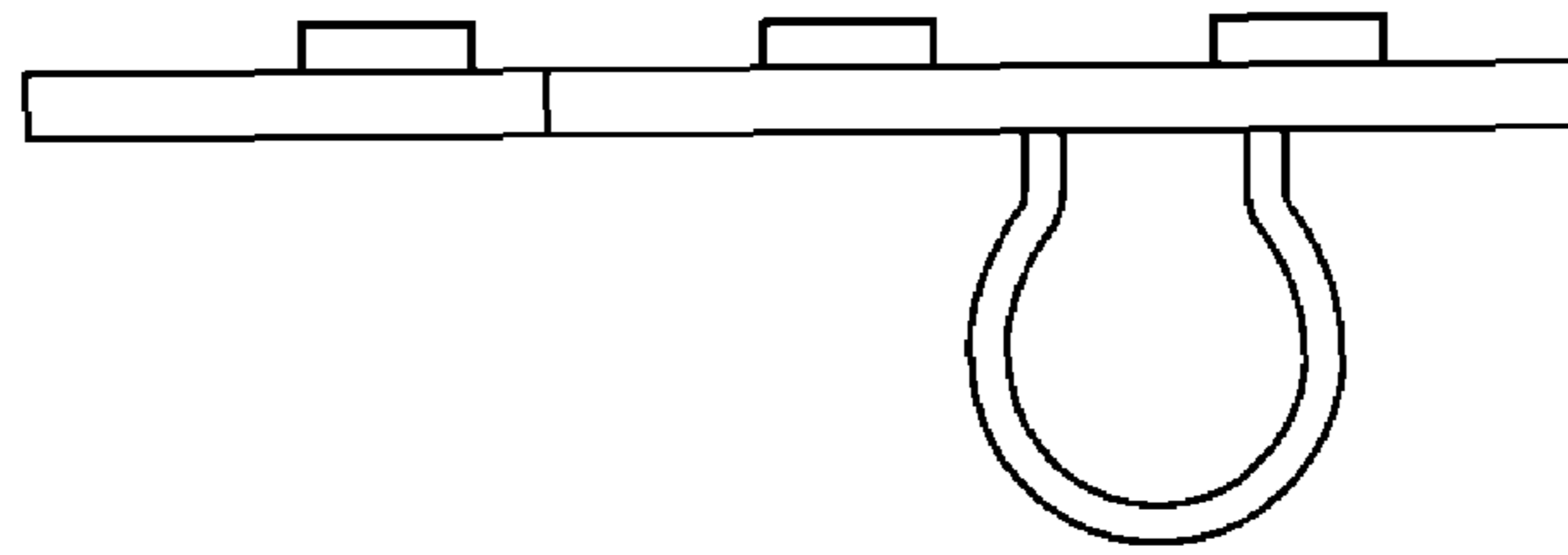


FIG. 4

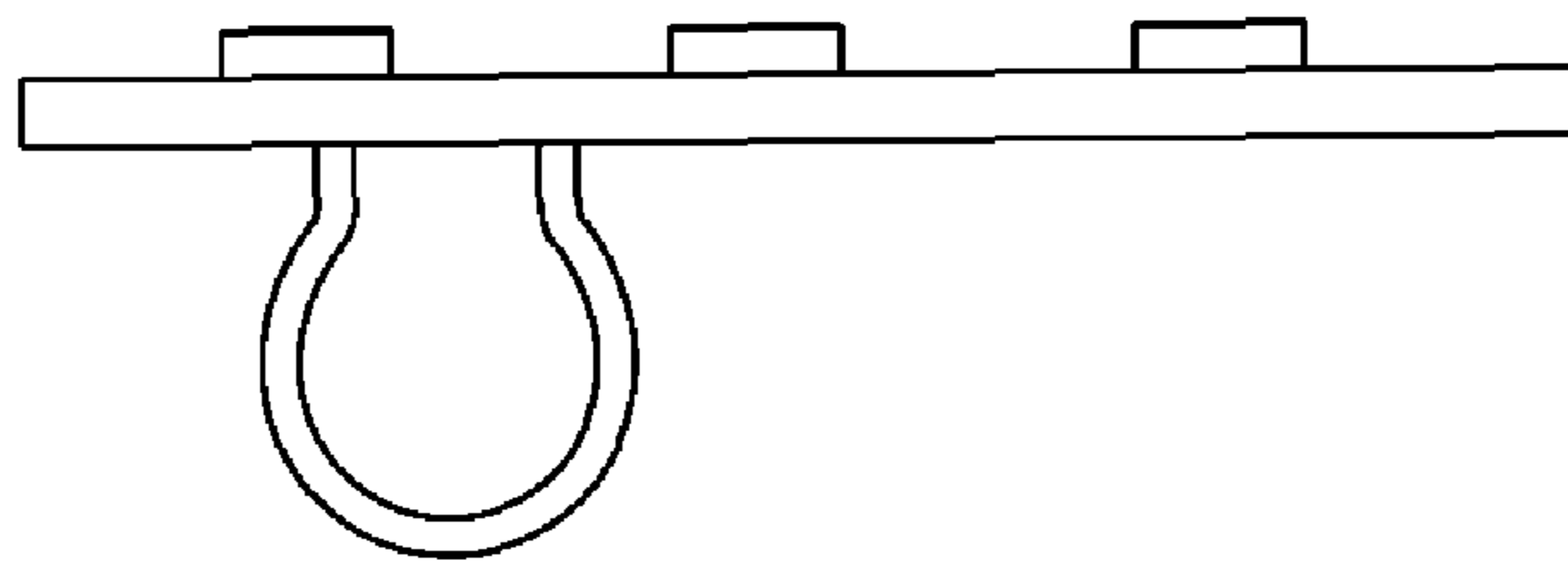


FIG. 5

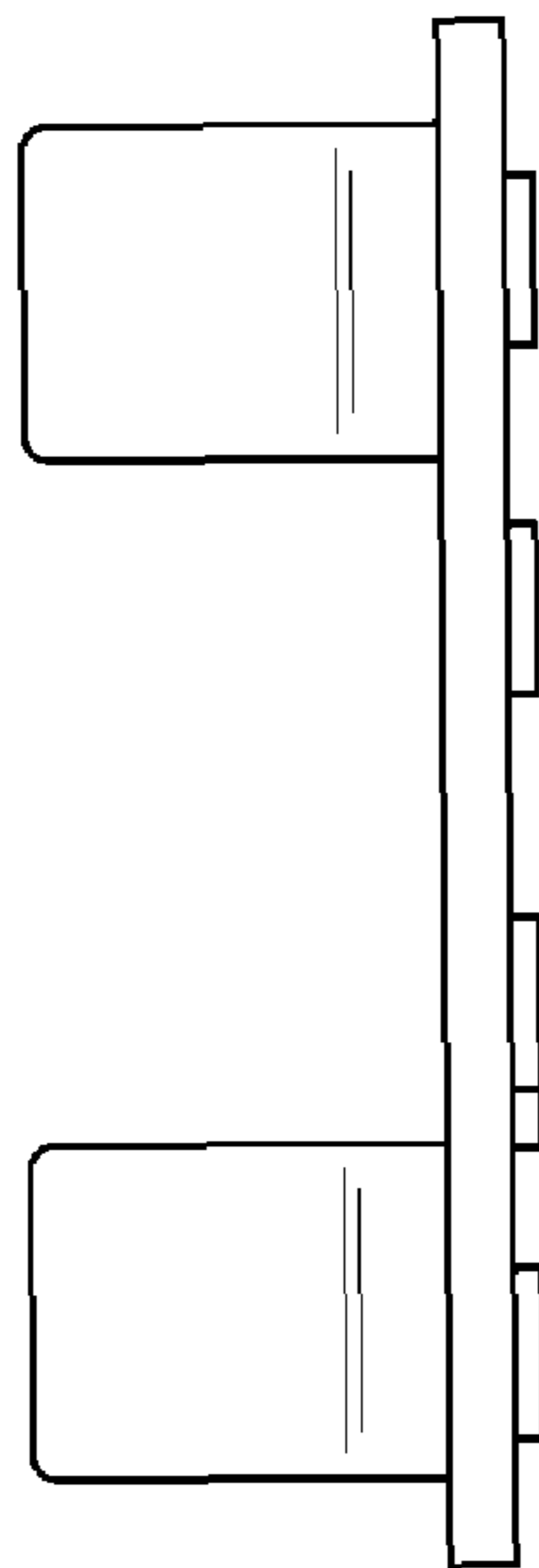


FIG. 6

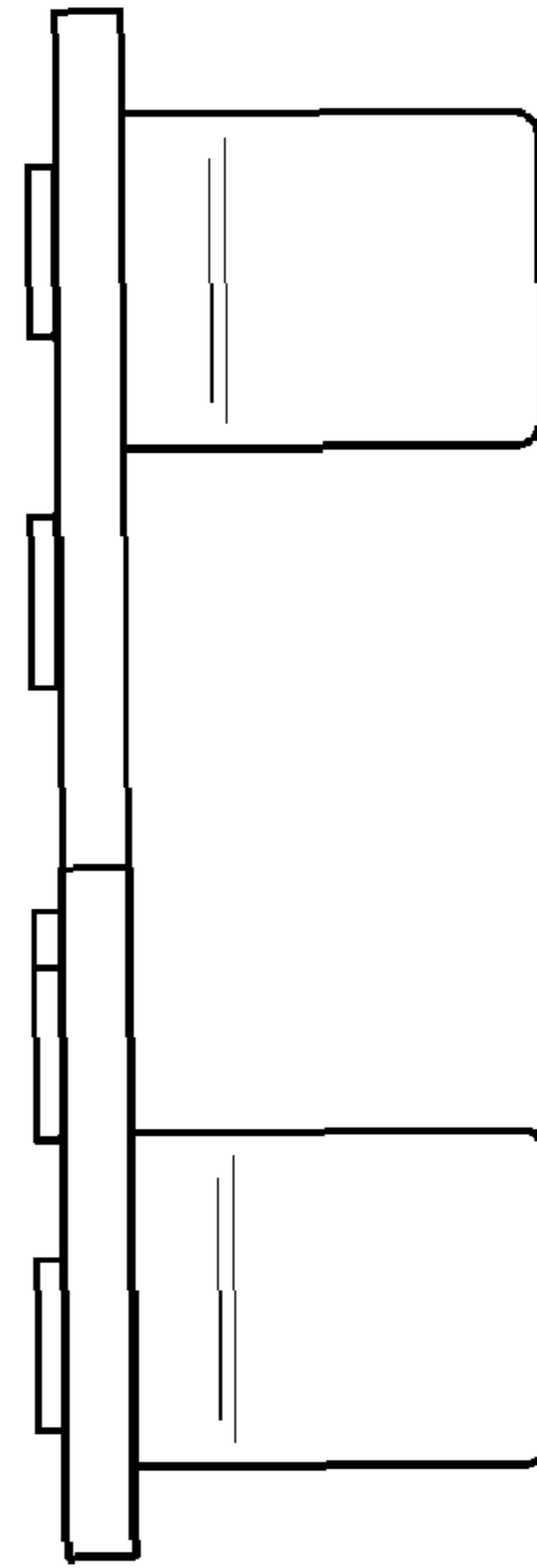


FIG. 7