



US00D638143S

(12) **United States Design Patent**
Procton et al.

(10) **Patent No.:** **US D638,143 S**

(45) **Date of Patent:** **** May 17, 2011**

(54) **NOSING FOR DOORWAY SILL**

(75) Inventors: **Bruce E. Procton**, Greensboro, NC (US); **Kevin T. MacDonald**, Greensboro, NC (US); **Brent Van Camp**, Kernersville, NC (US)

(73) Assignee: **Endura Products, Inc.**, Colfax, NC (US)

(**) Term: **14 Years**

(21) Appl. No.: **29/360,063**

(22) Filed: **Apr. 20, 2010**

(51) **LOC (9) Cl.** **25-01**

(52) **U.S. Cl.** **D25/119**

(58) **Field of Classification Search** D25/119;
49/475.1, 468, 469, 467, 471

See application file for complete search history.

(56) **References Cited**

U.S. PATENT DOCUMENTS

| | | | | | |
|-----------|------|---------|-----------------|-------|---------|
| 3,114,180 | A * | 12/1963 | Riedl | | 49/468 |
| 3,900,967 | A * | 8/1975 | Bursk et al. | | 49/468 |
| 5,136,814 | A * | 8/1992 | Headrick | | 49/468 |
| 5,426,894 | A | 6/1995 | Headrick | | |
| 5,611,173 | A | 3/1997 | Headrick et al. | | |
| 5,943,825 | A * | 8/1999 | Procton et al. | | 49/469 |
| 6,367,201 | B1 | 4/2002 | Massey et al. | | |
| D488,243 | S * | 4/2004 | Babka et al. | | D25/119 |
| 6,789,358 | B2 * | 9/2004 | Procton et al. | | 49/471 |
| D549,850 | S * | 8/2007 | Perlman | | D25/119 |
| 7,266,929 | B1 | 9/2007 | Allred et al. | | |
| 7,350,336 | B2 | 4/2008 | Bennett | | |

7,389,611 B2 6/2008 Palenske
D627,488 S * 11/2010 Abdollahzadeh et al. ... D25/119
2004/0200153 A1* 10/2004 Khanlarian 49/468

OTHER PUBLICATIONS

Nosing Profile drawing, known as of Apr. 19, 2010.
Plastic Tileback Nosing drawing, known as of Dec. 31, 2004.

* cited by examiner

Primary Examiner — Doris Clark

(74) *Attorney, Agent, or Firm* — Womble Carlyle Sandridge & Rice, PLLC

(57) **CLAIM**

The ornamental design for a nosing for doorway sill, as shown and described.

DESCRIPTION

FIG. 1 is a front right perspective of our new design, including unclaimed environmental elements;

FIG. 2 is a front right perspective thereof, without the environmental elements showing;

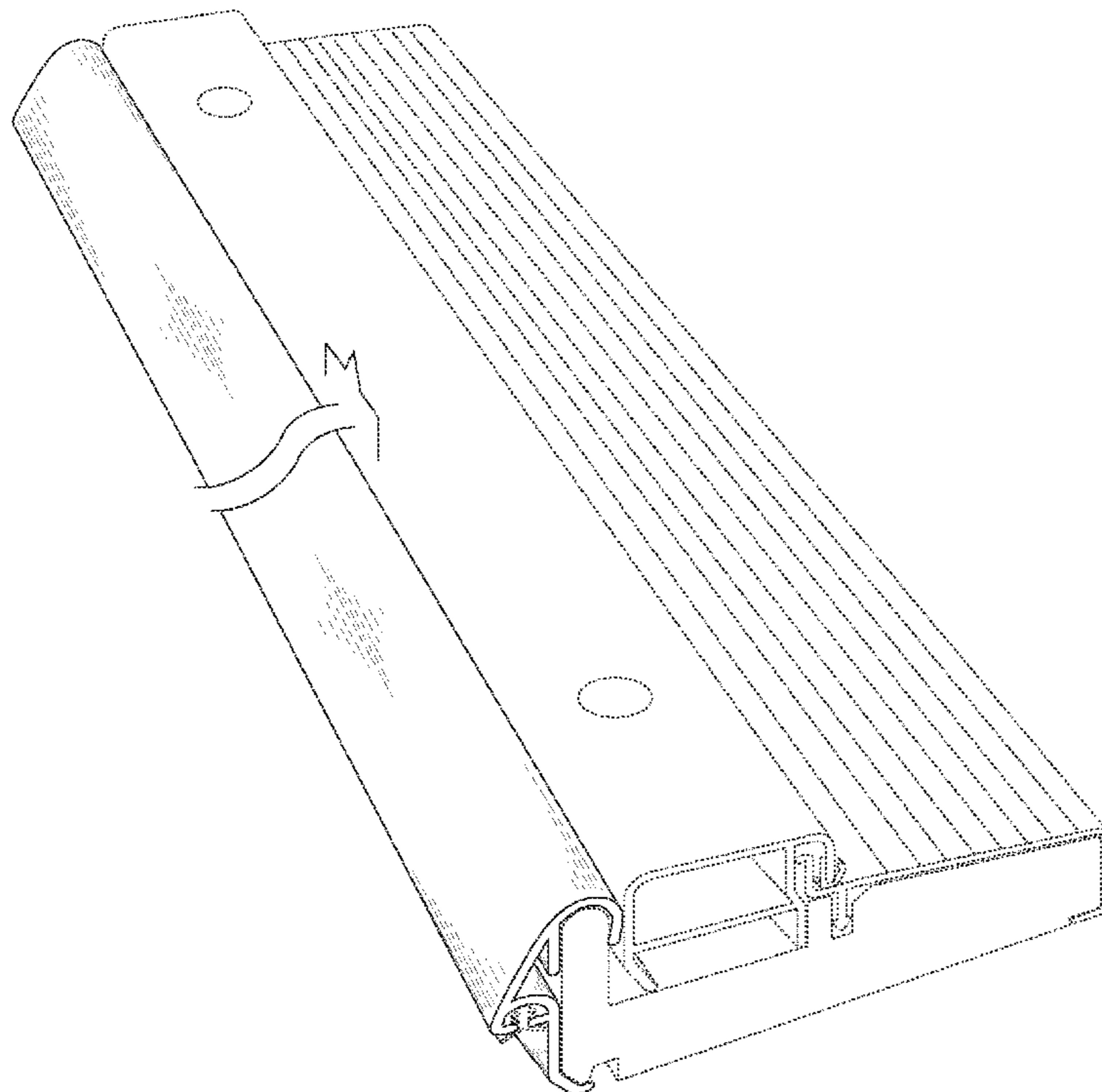
FIG. 3 is a side elevation view thereof, the opposite side being a mirror image thereof;

FIG. 4 is a front view thereof; and,

FIG. 5 is a top view thereof.

The views of the nosing for doorway sill not shown form no part of the claimed design. The dashed lines in the Figures refer to environmental elements only and form no part of the claimed design. The wavy break lines in FIGS. 1, 2, 4 and 5 indicate indefinite length.

1 Claim, 4 Drawing Sheets



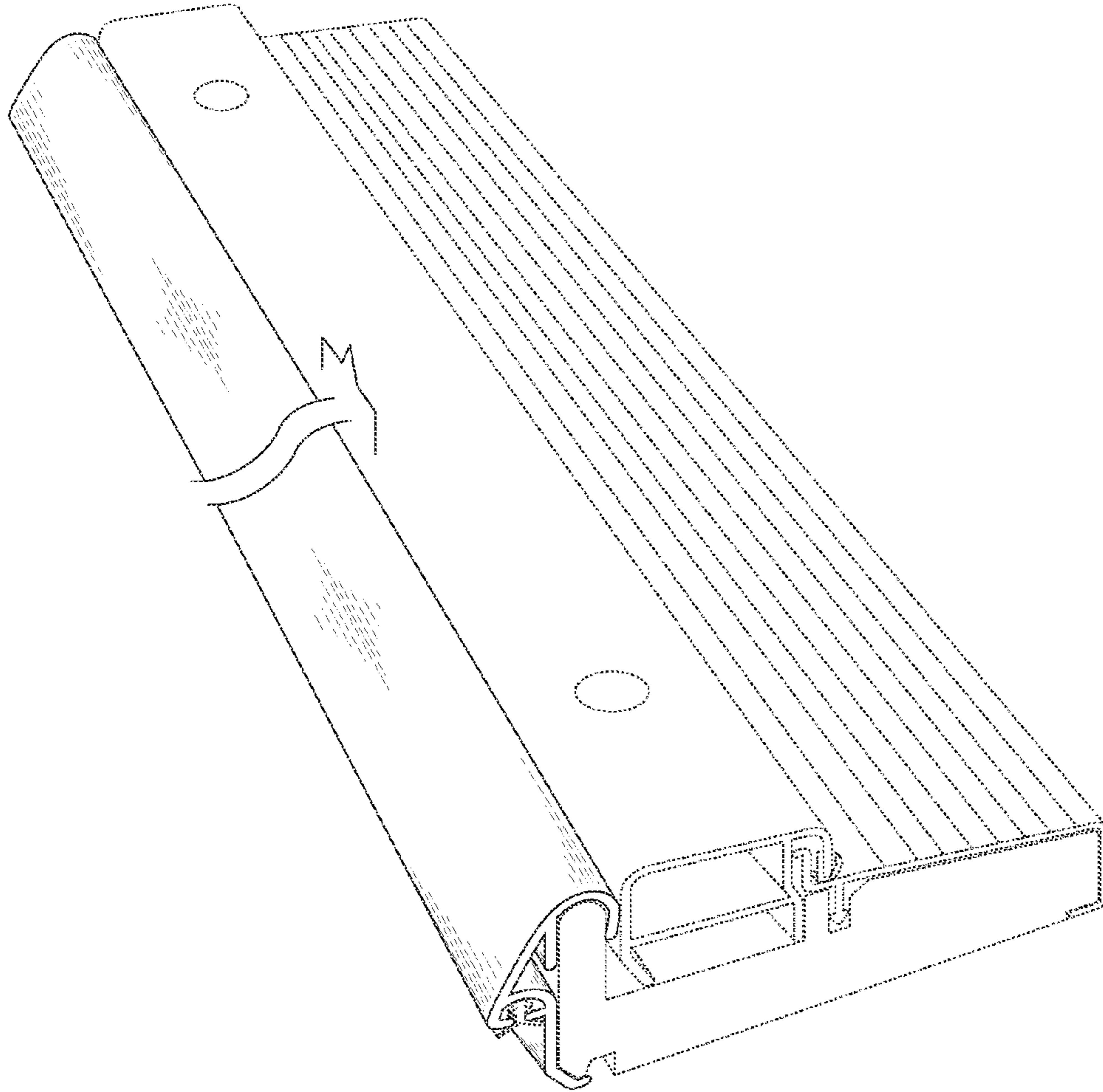


FIG. 1

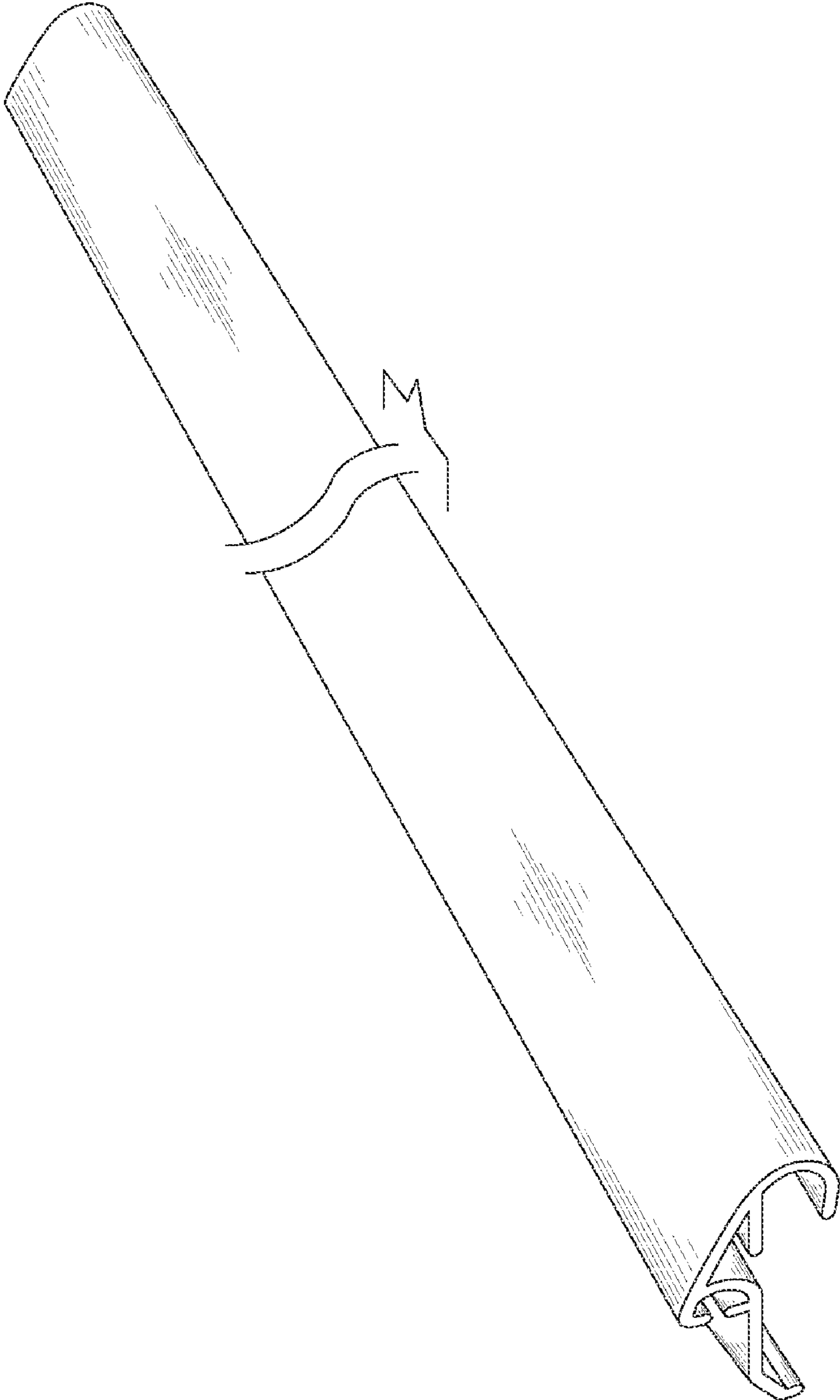


FIG. 2

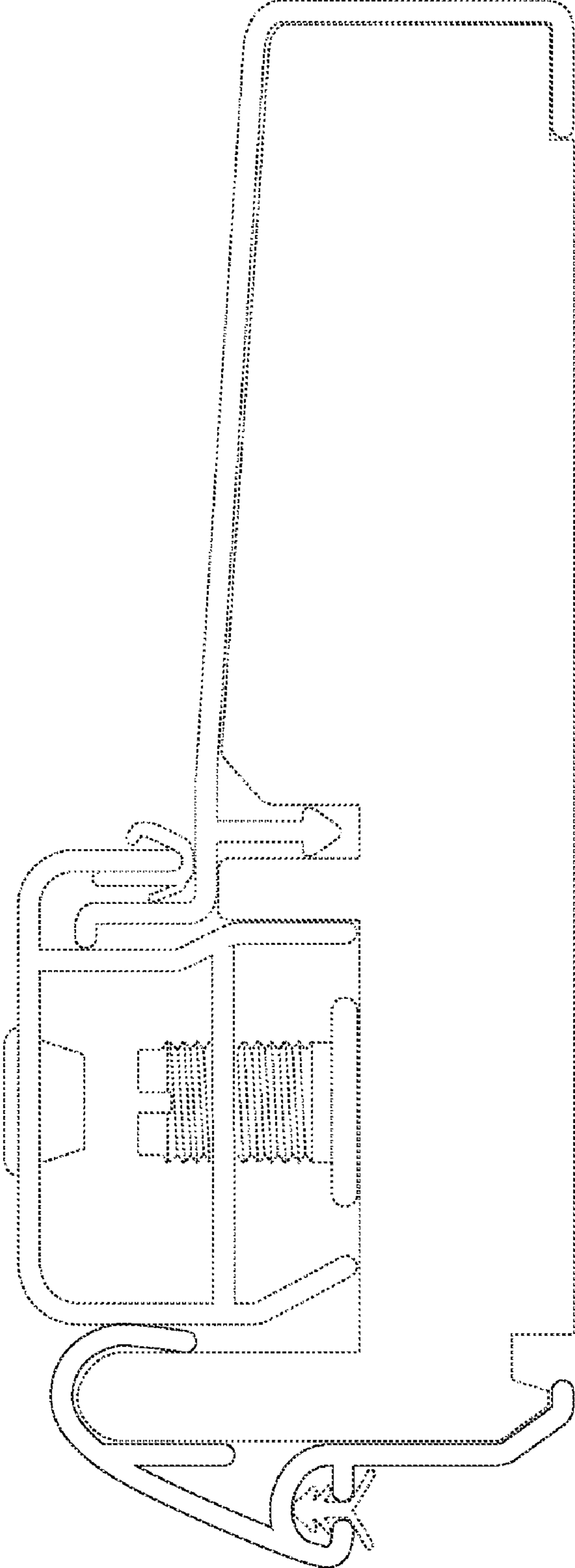


FIG. 3

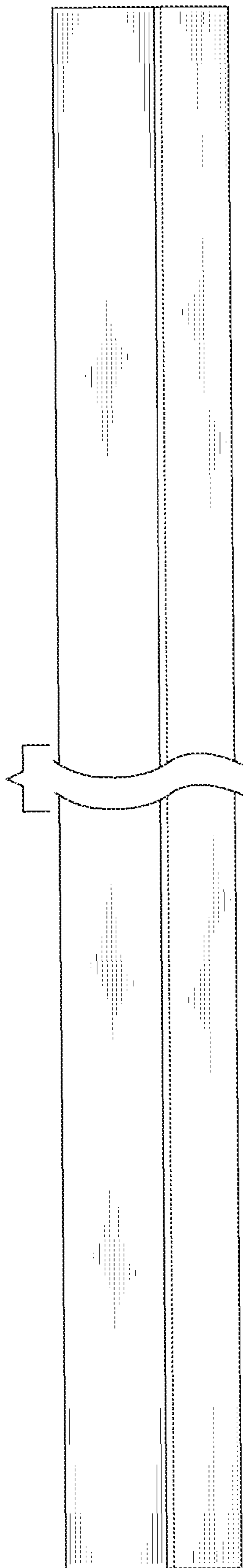


FIG. 4

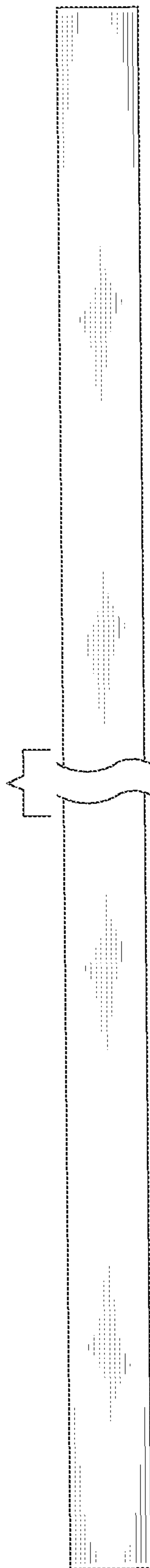


FIG. 5