



US00D638142S

(12) **United States Design Patent**
Van Camp et al.

(10) **Patent No.:** **US D638,142 S**
(45) **Date of Patent:** **** May 17, 2011**

(54) **DOOR SILL THRESHOLD CAP**

(75) Inventors: **Brent Van Camp**, Kernersville, NC (US); **Andrew Krochmal**, Greensboro, NC (US); **Michael K. Mitchell**, Winston-Salem, NC (US)

(73) Assignee: **Endura Products, Inc.**, Colfax, NC (US)

(**) Term: **14 Years**

(21) Appl. No.: **29/360,062**

(22) Filed: **Apr. 20, 2010**

(51) **LOC (9) Cl.** **25-01**

(52) **U.S. Cl.** **D25/119**

(58) **Field of Classification Search** D25/119;
49/475.1, 468, 469, 467, 471
See application file for complete search history.

(56) **References Cited**

U.S. PATENT DOCUMENTS

3,900,967	A *	8/1975	Bursk et al.	49/468
4,538,380	A	9/1985	Colliander	
5,136,814	A *	8/1992	Headrick	49/468
5,283,977	A	2/1994	Smith	
5,426,894	A	6/1995	Headrick	
5,588,266	A *	12/1996	Headrick	49/468
5,611,173	A	3/1997	Headrick et al.	
5,943,825	A	8/1999	Procton et al.	
6,052,949	A	4/2000	Procton et al.	
6,289,635	B1	9/2001	Procton et al.	
6,412,227	B1	7/2002	De Zen	
D488,243	S *	4/2004	Babka et al.	D25/119
6,789,358	B2 *	9/2004	Procton et al.	49/471
D549,850	S *	8/2007	Perlman	D25/119
D627,488	S *	11/2010	Abdollahzadeh et al.	D25/119
2004/0200153	A1 *	10/2004	Khanlarian	49/468

OTHER PUBLICATIONS

Door Sill Cap drawing, known as of Apr. 19, 2010.

* cited by examiner

Primary Examiner — Doris Clark

(74) *Attorney, Agent, or Firm* — Womble Carlyle Sandridge & Rice, PLLC

(57) **CLAIM**

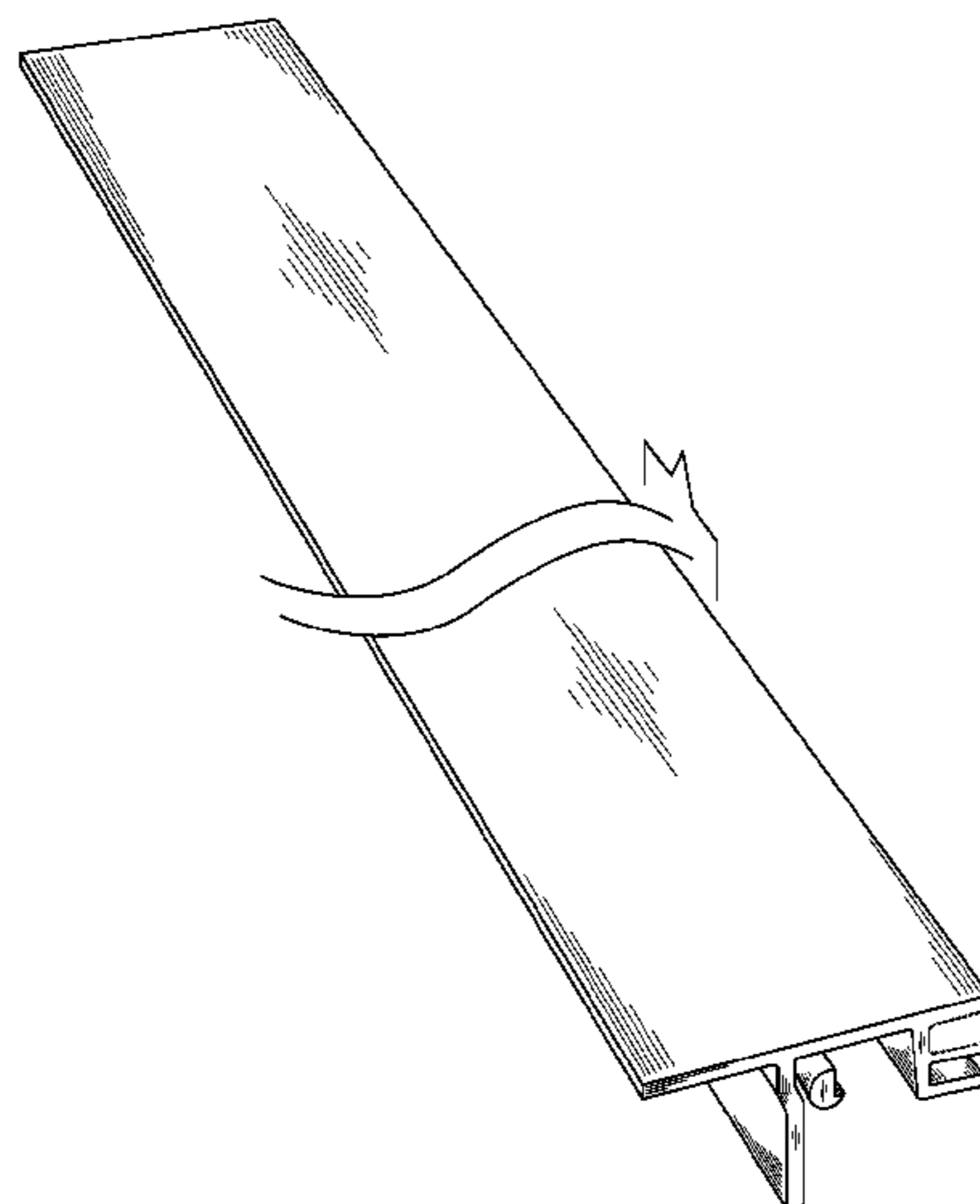
The ornamental design for a door sill threshold cap, as shown and described.

DESCRIPTION

FIG. 1 is a front right perspective of our new design; FIG. 2 is another front right perspective thereof; FIG. 3 is a right side elevational view thereof, the opposite side being a mirror image thereof; FIG. 4 is another right side elevational view, the opposite side being a mirror image thereof; FIG. 5 is a front view thereof; FIG. 6 is a top view thereof; FIG. 7 is a front right perspective view of a second embodiment of our design; FIG. 8 is another front right perspective view thereof; FIG. 9 is a right side elevational view thereof, the opposite side being a mirror image thereof; FIG. 10 is another right side elevational view, the opposite side being a mirror image thereof; FIG. 11 is a front view thereof; and, FIG. 12 is a top view thereof.

The views of the door sill threshold cap not shown form no part of the claimed design. The dashed lines in the Figures refer to environmental or optional elements only and form no part of the claimed design. The rectangular dashed lines shown on the right portion within the cap in FIGS. 1-4 and 7-12 represent an optional void in the cap. The broken lines shown in FIGS. 1-2, 5-6, 7-8 and 11-12 indicate indefinite length. The partially cylindrical object in FIGS. 1-4 and the weather-strip fin in FIGS. 7-10 (both of which are shown in approximately the center of the cap and below a cap top portion) are shown in solid lines and indicate the spatial relationship of these elements in relation to the remainder of the cap. The specific structure that may support these elements is shown in dashed lines in FIGS. 2, 4, 8, and 10 and is not claimed.

1 Claim, 10 Drawing Sheets



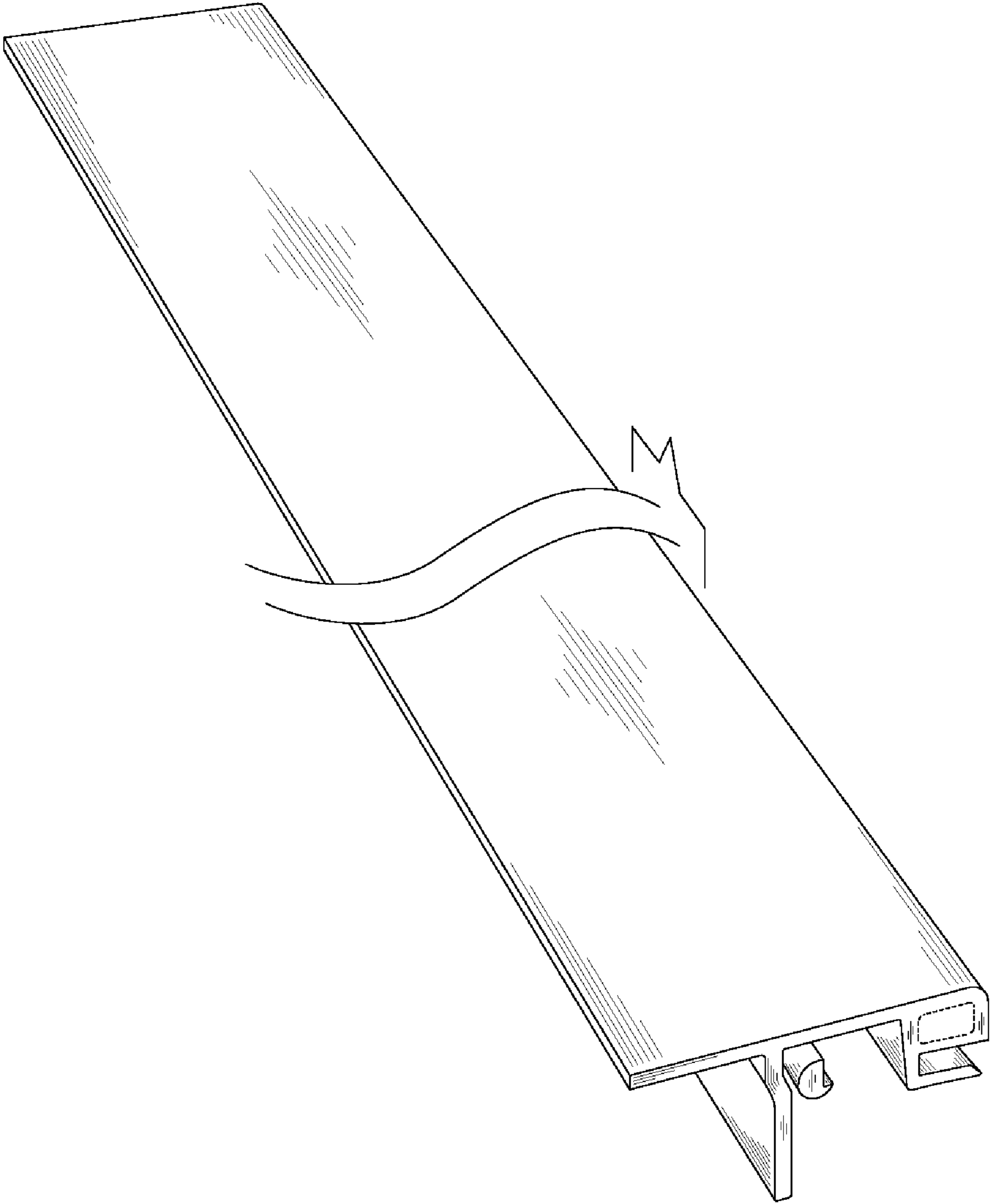


FIG. 1

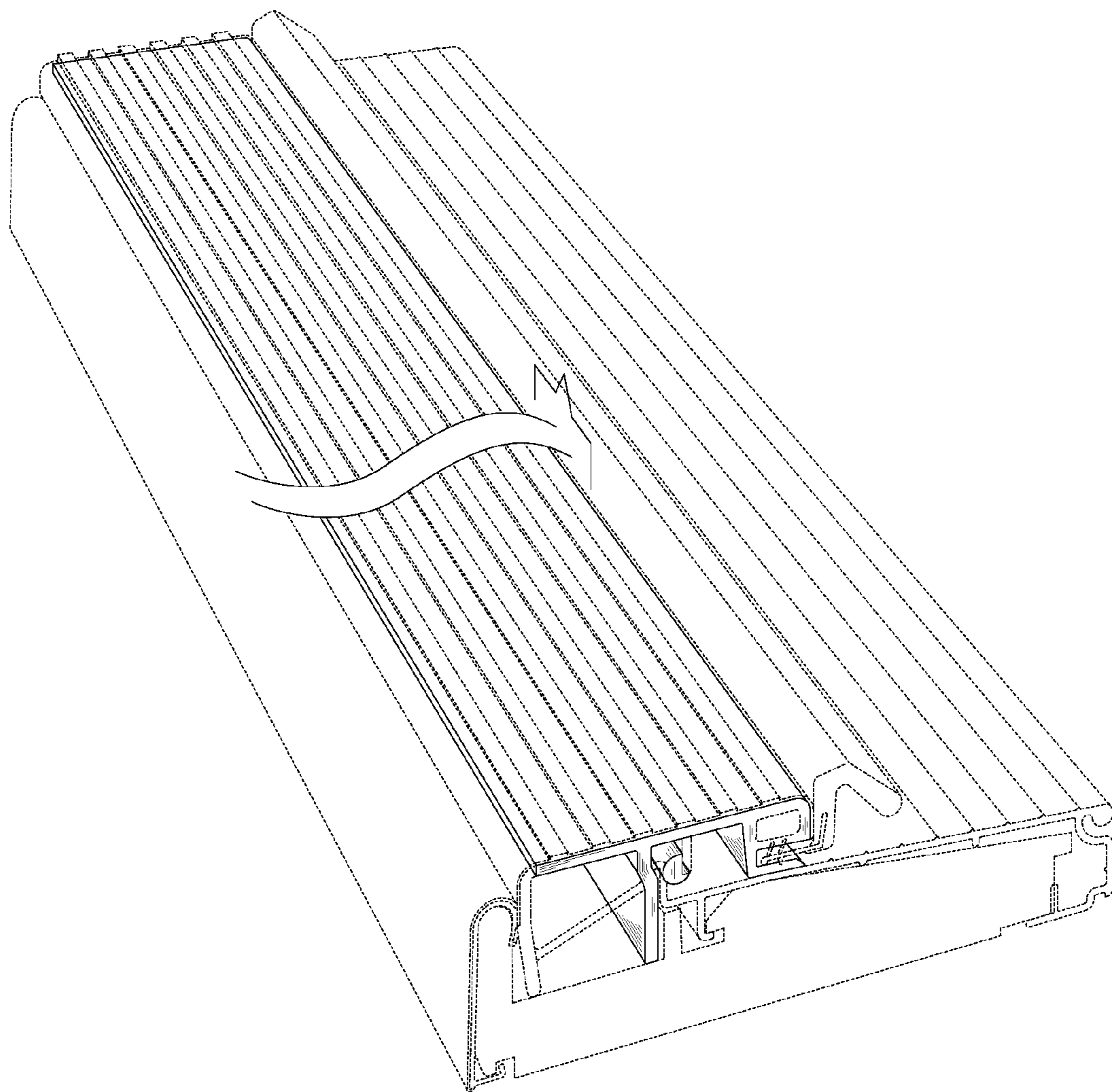


FIG. 2

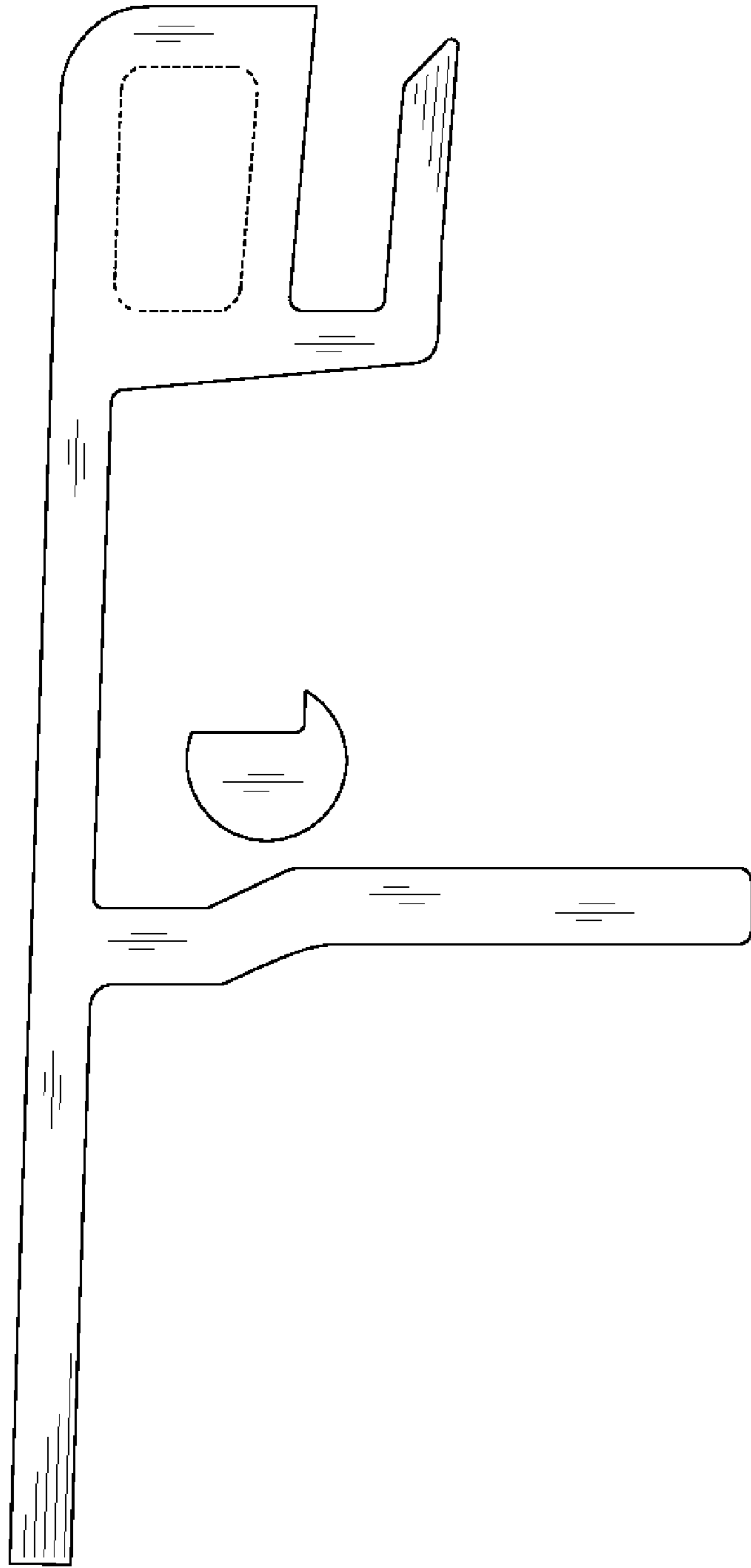


FIG. 3

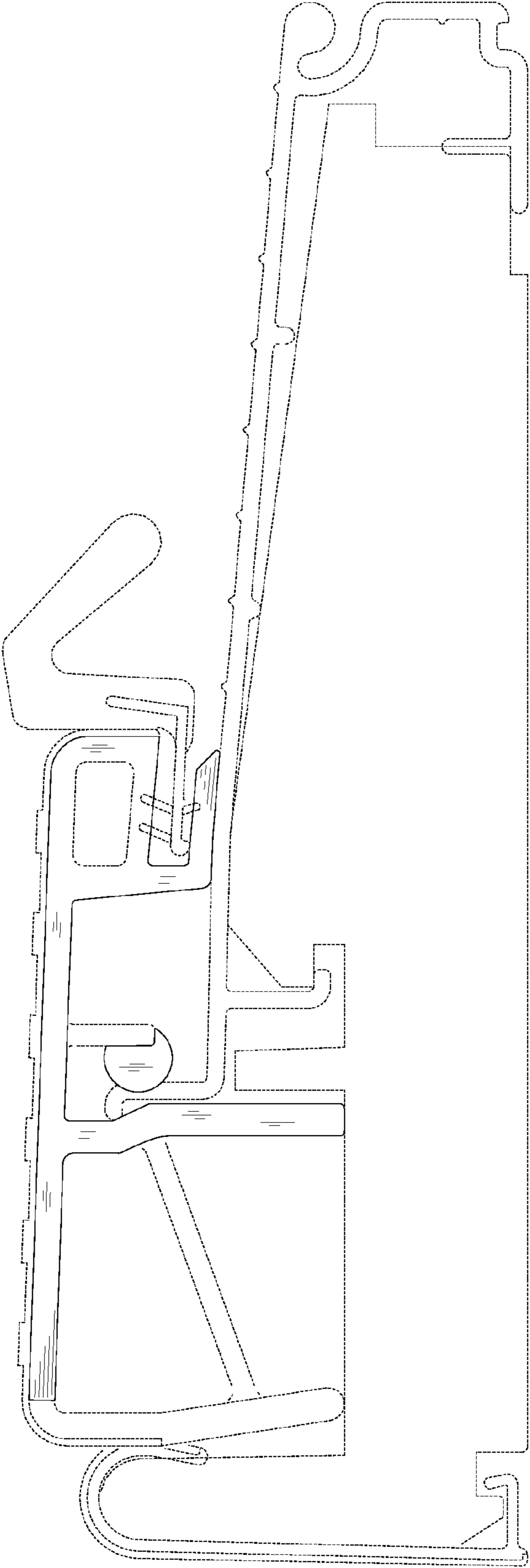


FIG. 4

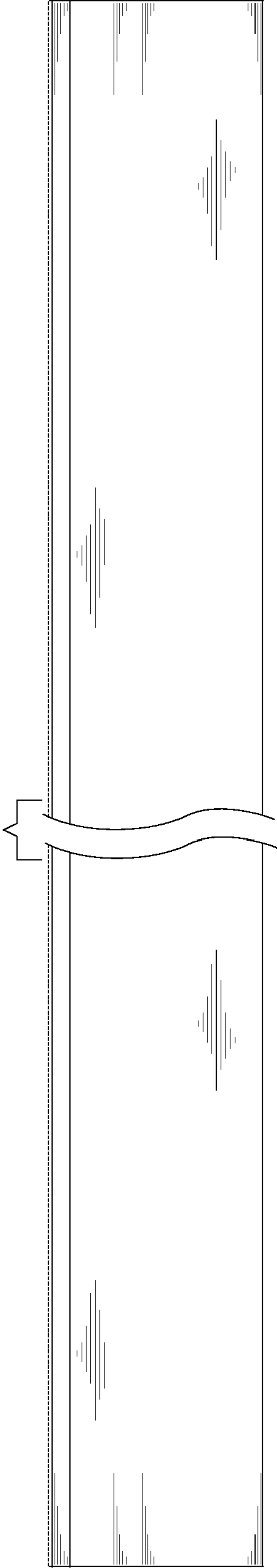


FIG. 5

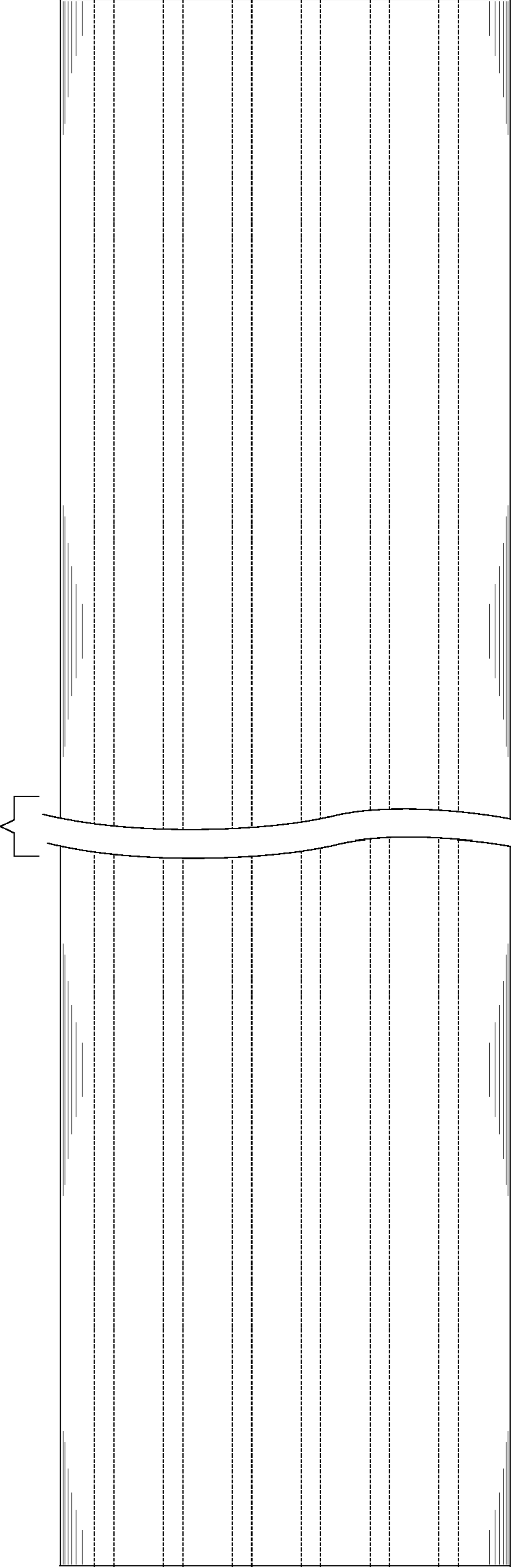


FIG. 6

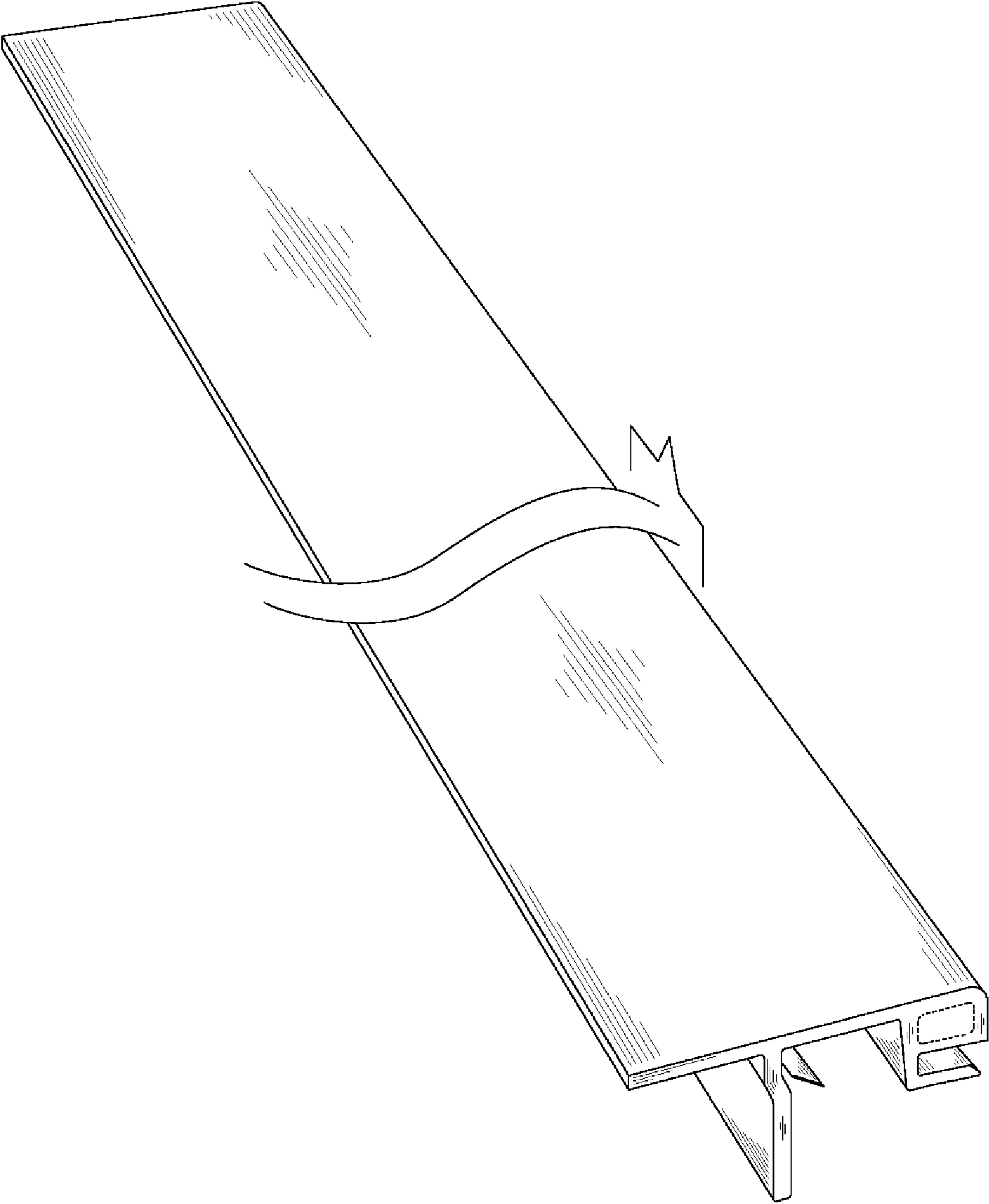


FIG. 7

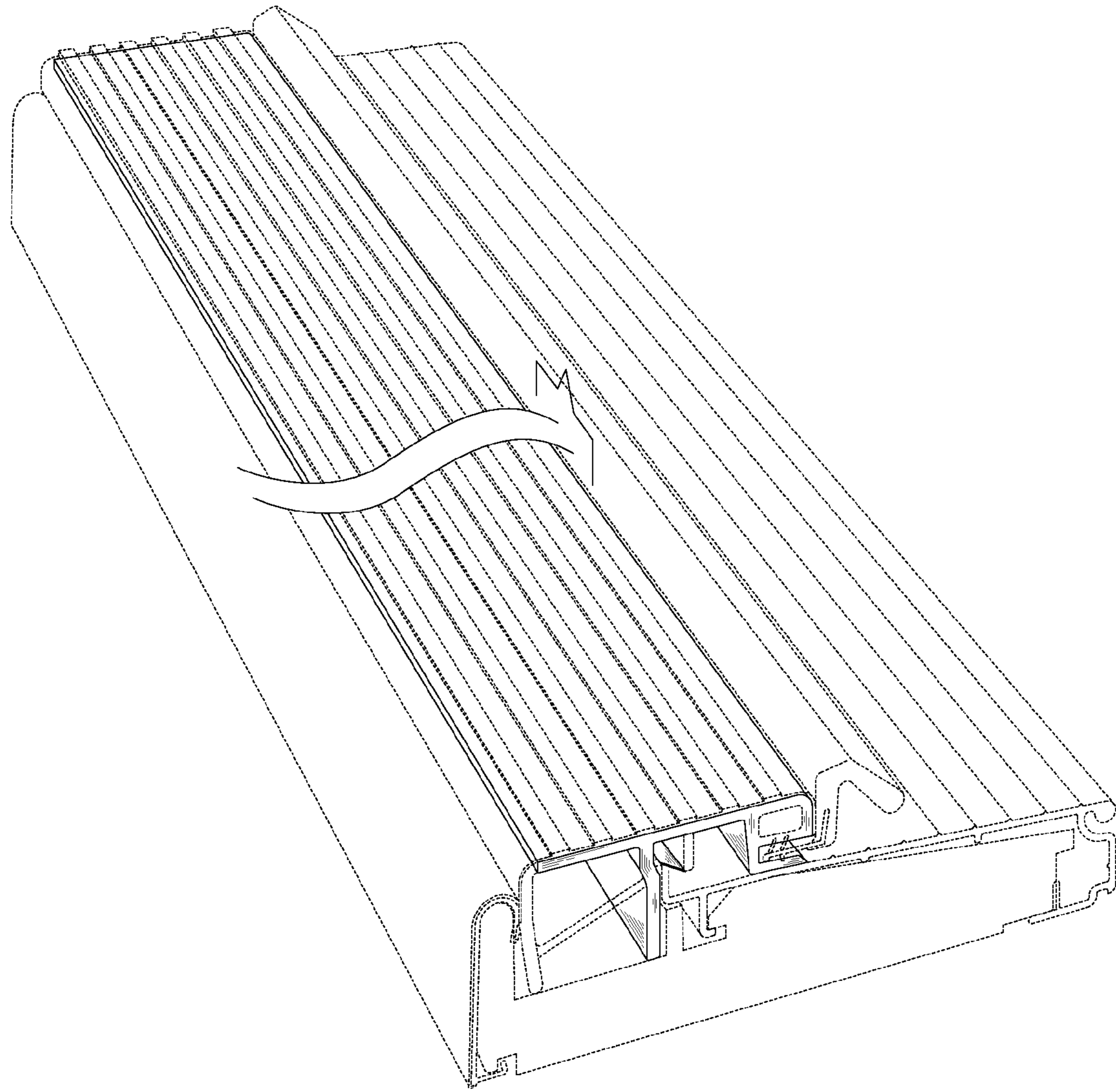


FIG. 8

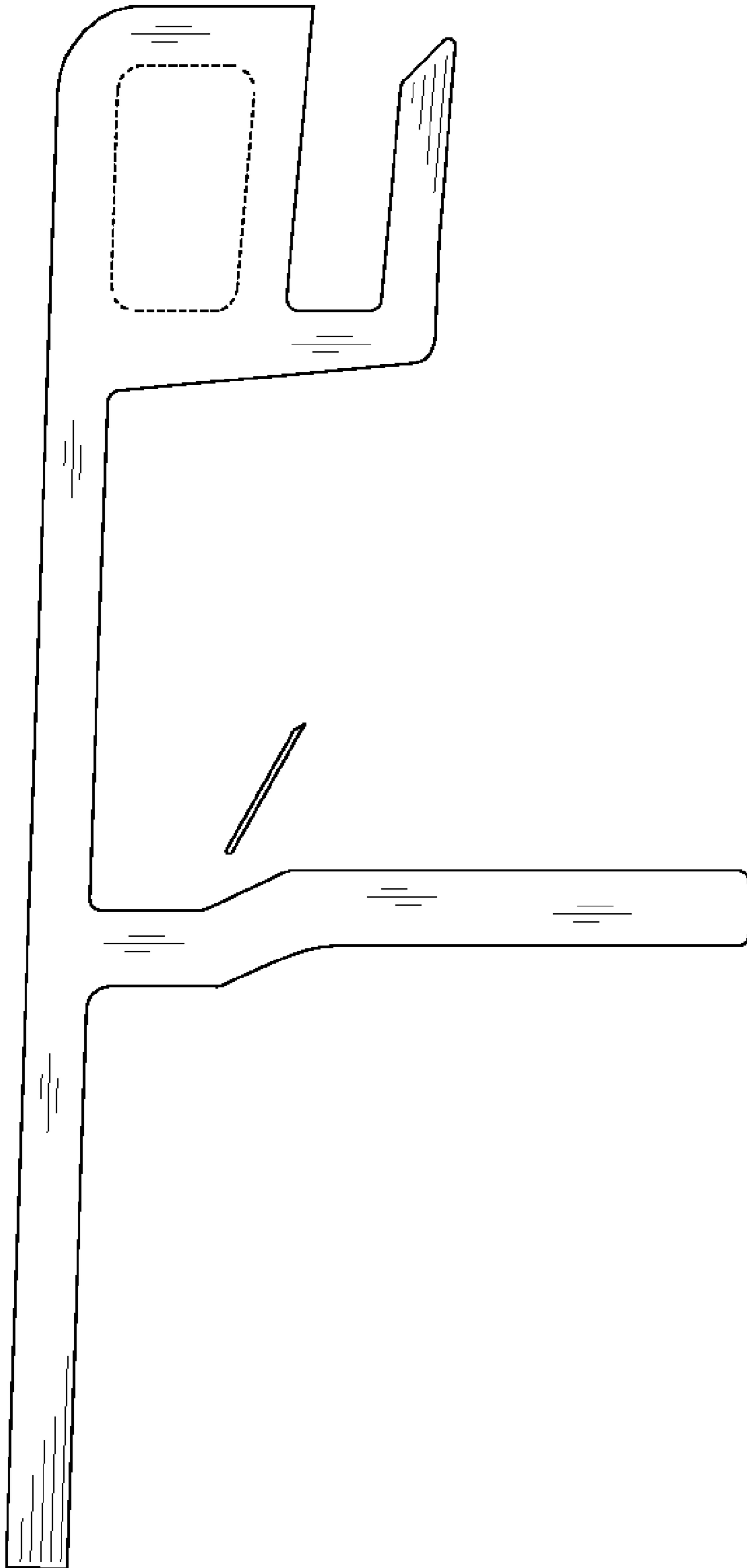


FIG. 9

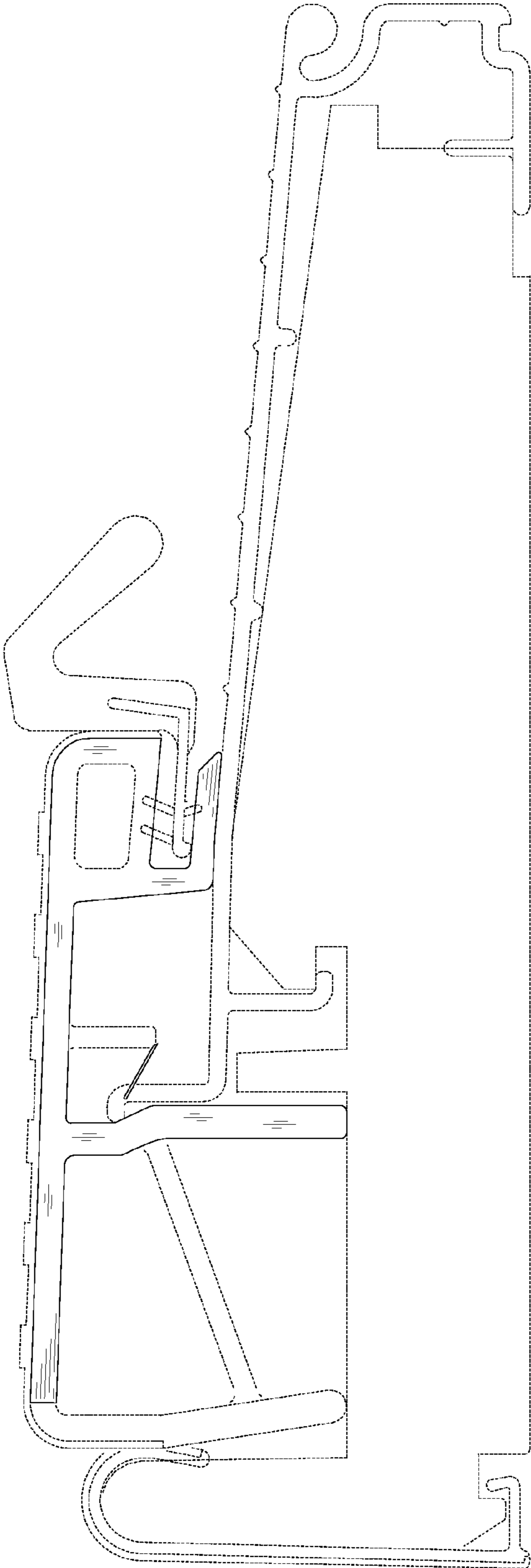


FIG. 10

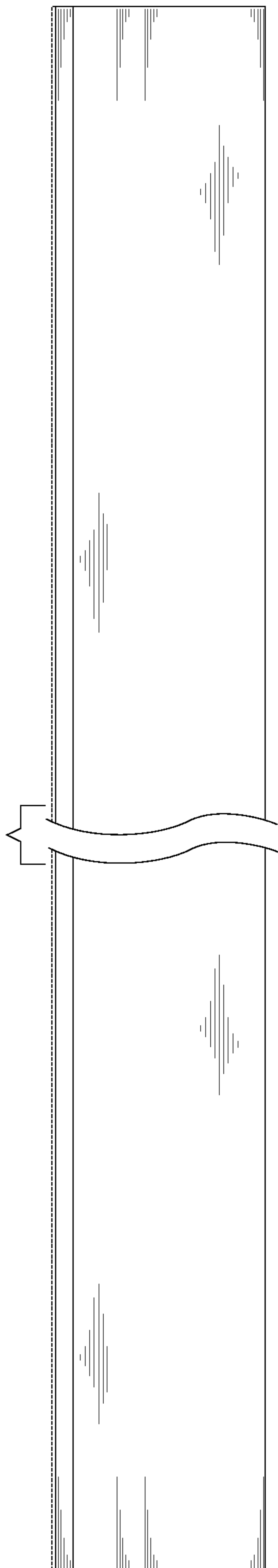


FIG. 11

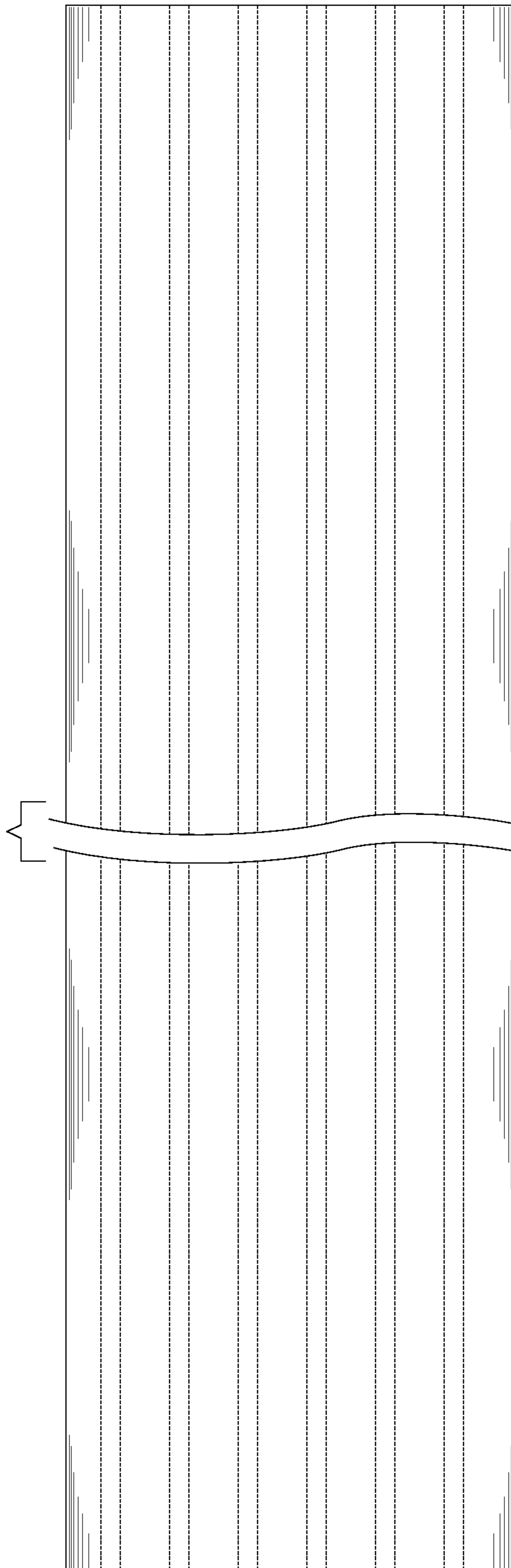


FIG. 12