



US00D638141S

(12) **United States Design Patent**
Busschaert et al.

(10) **Patent No.:** **US D638,141 S**

(45) **Date of Patent:** **** May 17, 2011**

(54) **SAW HORSE**

(75) **Inventors:** **Jason F. Busschaert**, Bel Air, MD (US);
James A. Downing, Owings Mills, MD
(US); **Torrey R. Lambert**, Baltimore,
MD (US)

(73) **Assignee:** **Black & Decker Inc.**, Newark, DE (US)

(**) **Term:** **14 Years**

(21) **Appl. No.:** **29/378,546**

(22) **Filed:** **Nov. 5, 2010**

(51) **LOC (9) Cl.** **25-04**

(52) **U.S. Cl.** **D25/67**

(58) **Field of Classification Search** D25/67;
182/181.1, 186.5, 224

See application file for complete search history.

(56) **References Cited**

U.S. PATENT DOCUMENTS

D328,355 S * 7/1992 Librach D25/67
D379,236 S * 5/1997 Sheftel D25/67
6,827,181 B2 * 12/2004 Austin et al. 182/186.6

* cited by examiner

Primary Examiner — Doris Clark

(74) *Attorney, Agent, or Firm* — Adan Ayala

(57) **CLAIM**

The ornamental design for a saw horse, as shown and described.

DESCRIPTION

FIG. 1 is a perspective view of a saw horse according to the invention.

FIG. 2 is a right side view of the saw horse.

FIG. 3 is a left side view of the saw horse.

FIG. 4 is a rear elevational view of the saw horse.

FIG. 5 is a front elevational view of the saw horse.

FIG. 6 is a top plan view of the saw horse; and,

FIG. 7 is a bottom plan view of the saw horse.

1 Claim, 7 Drawing Sheets

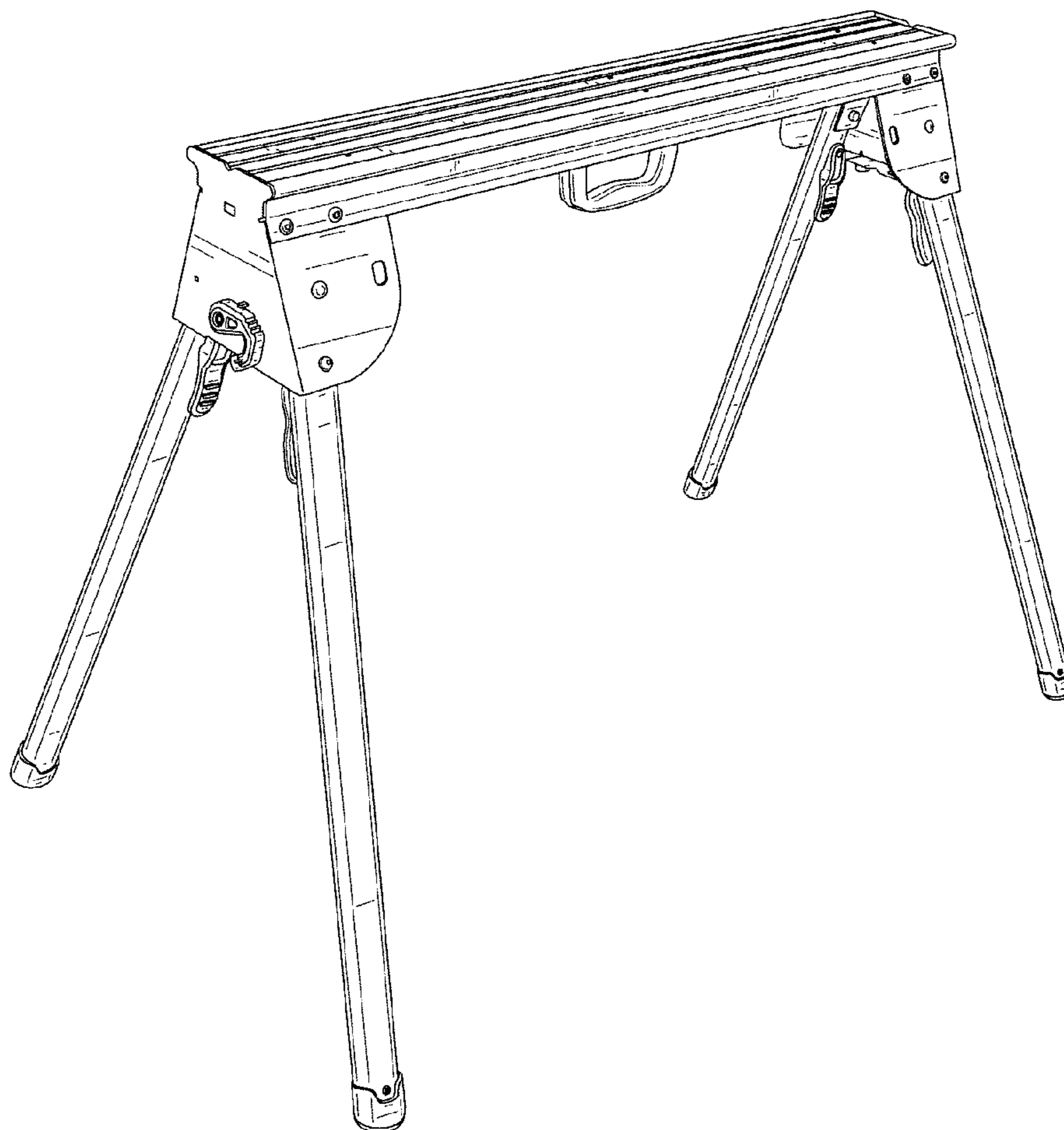




FIG. 1

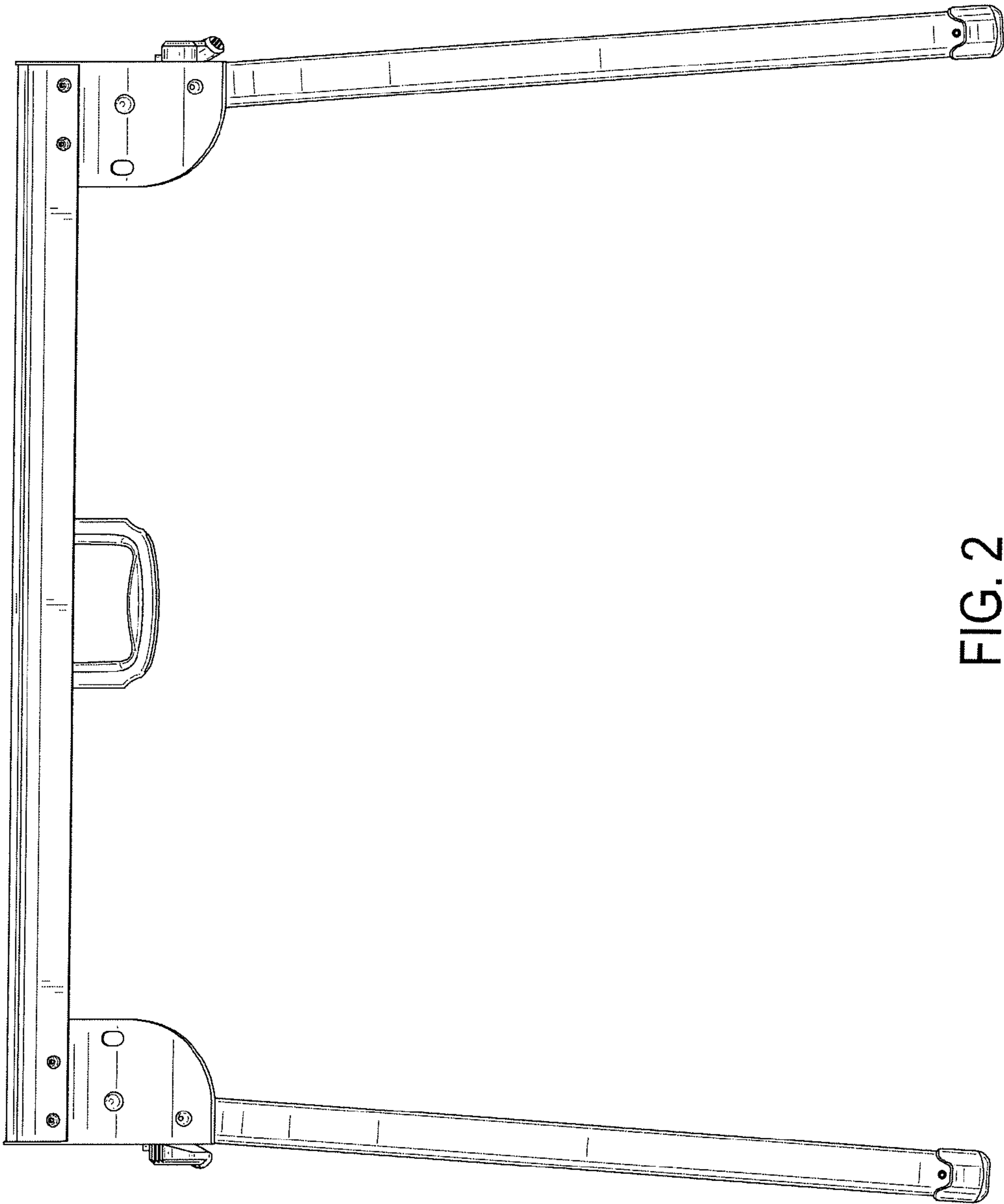


FIG. 2

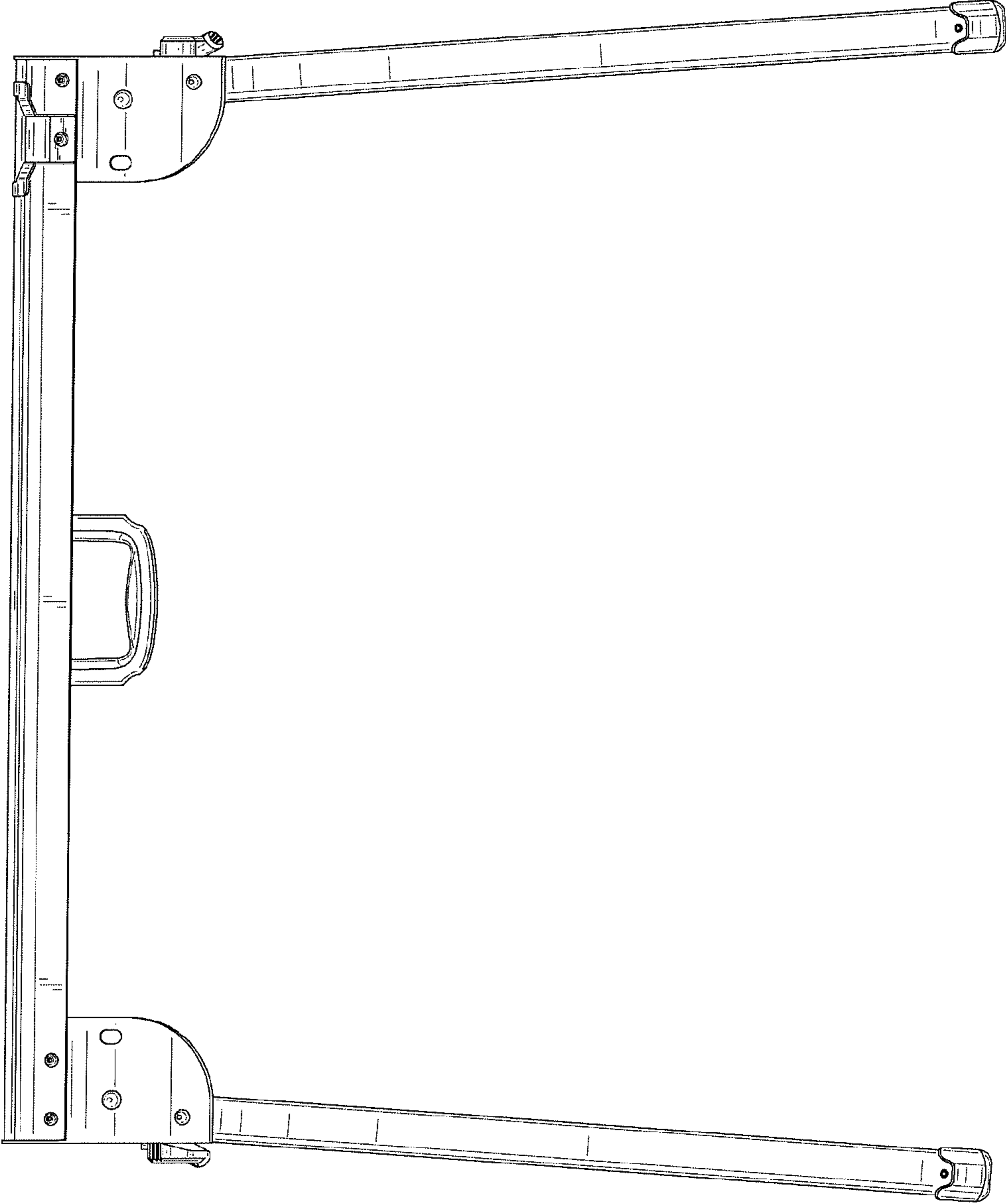


FIG. 3

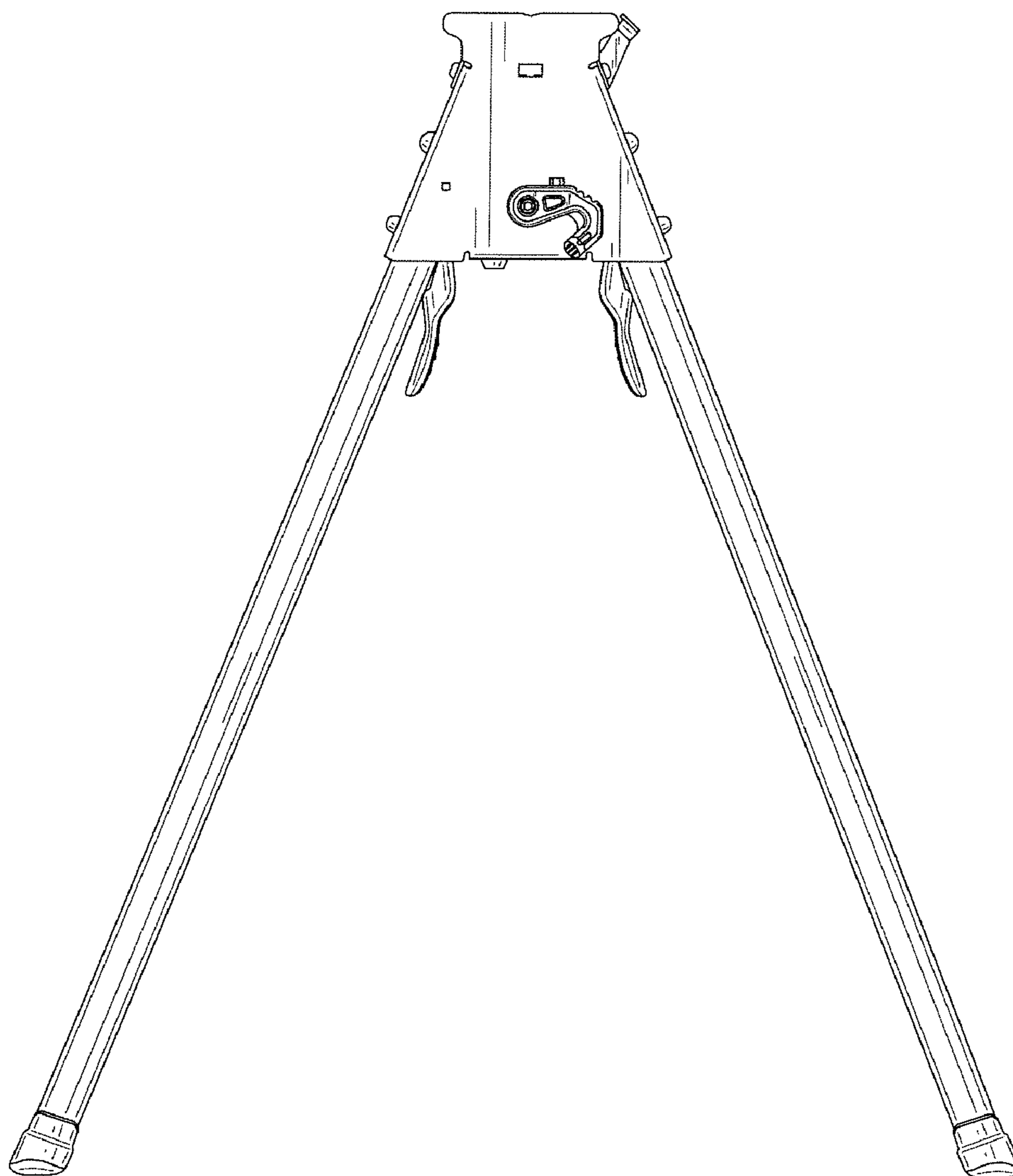


FIG. 4

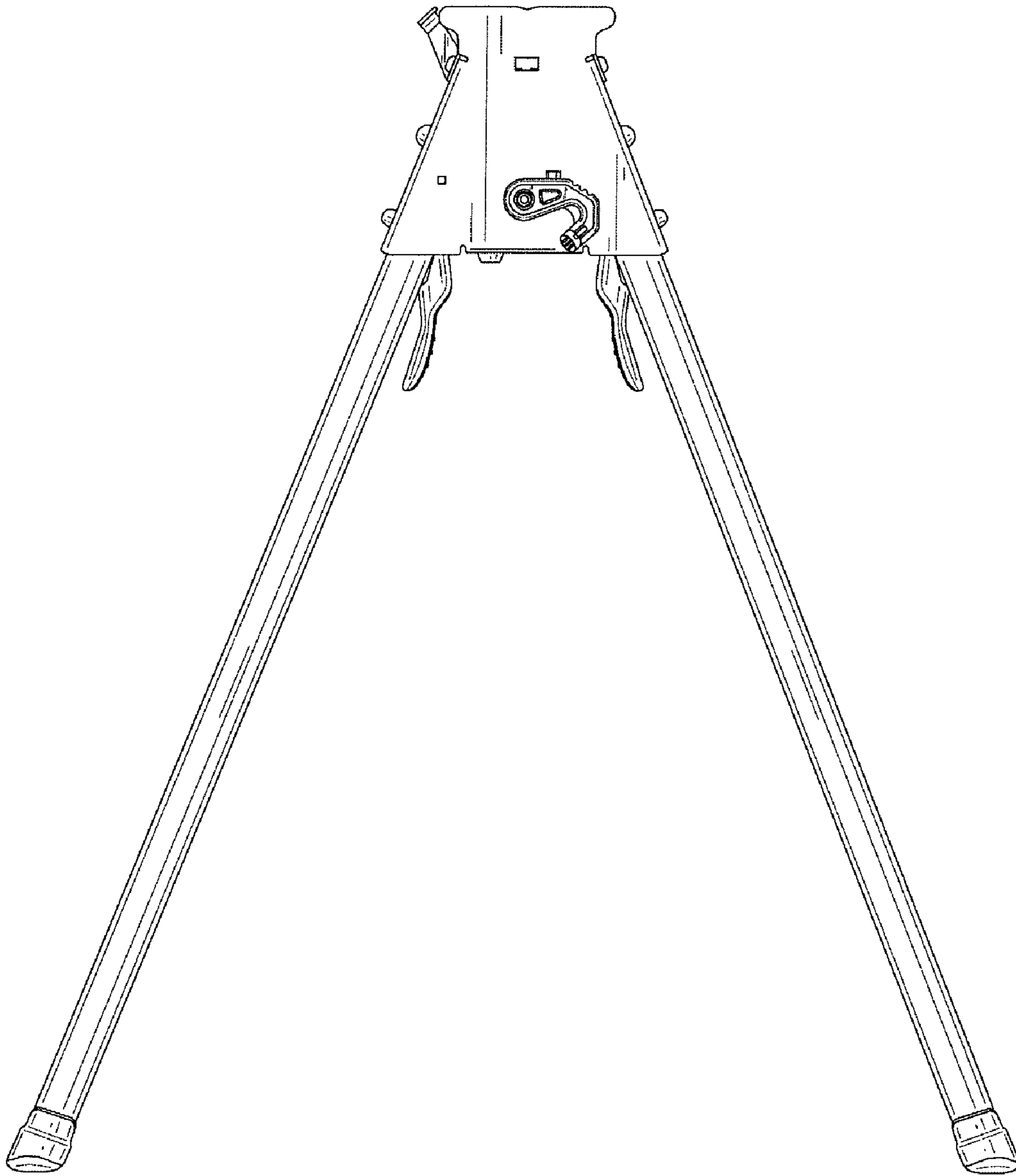


FIG. 5

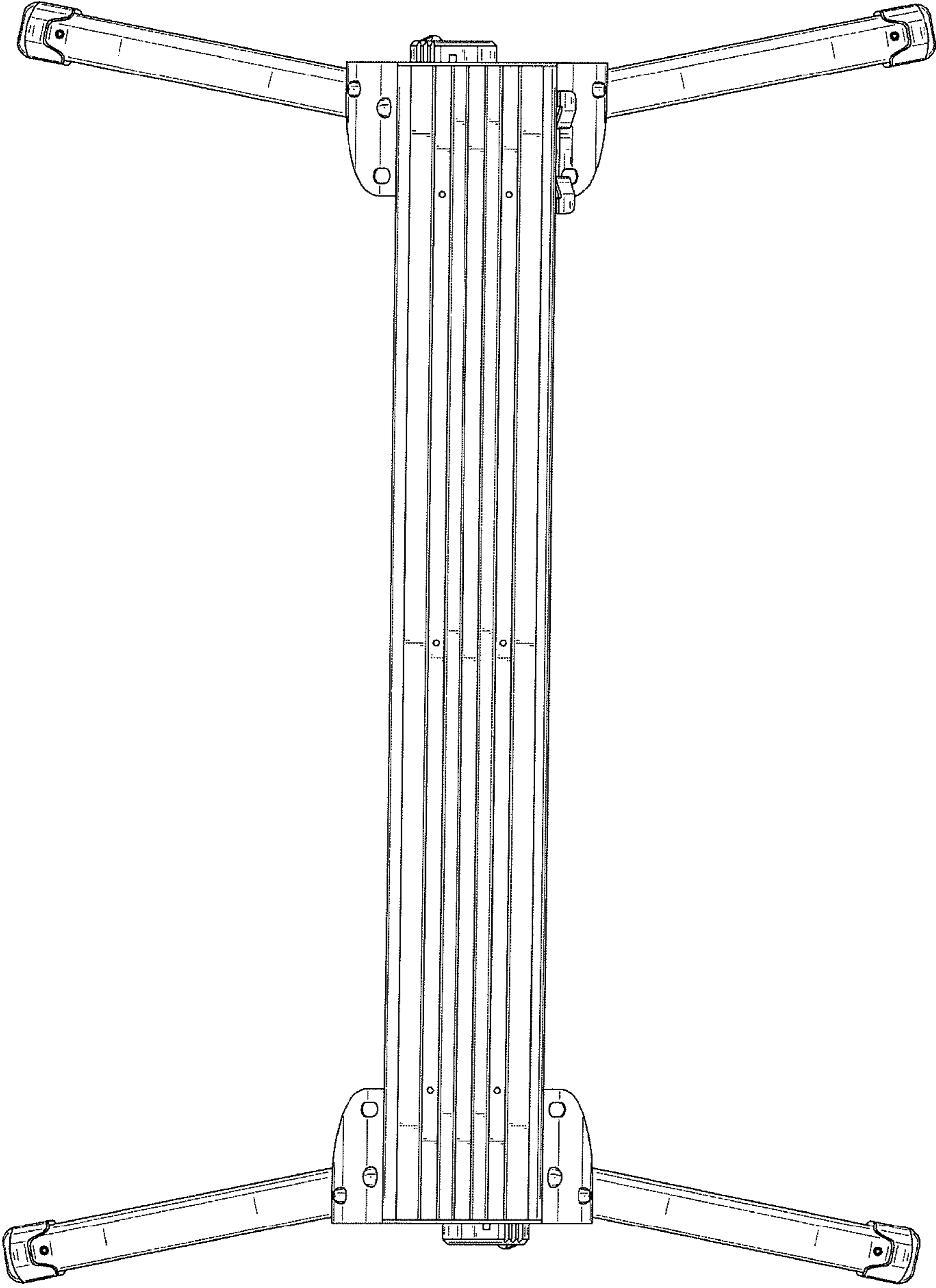


FIG. 6

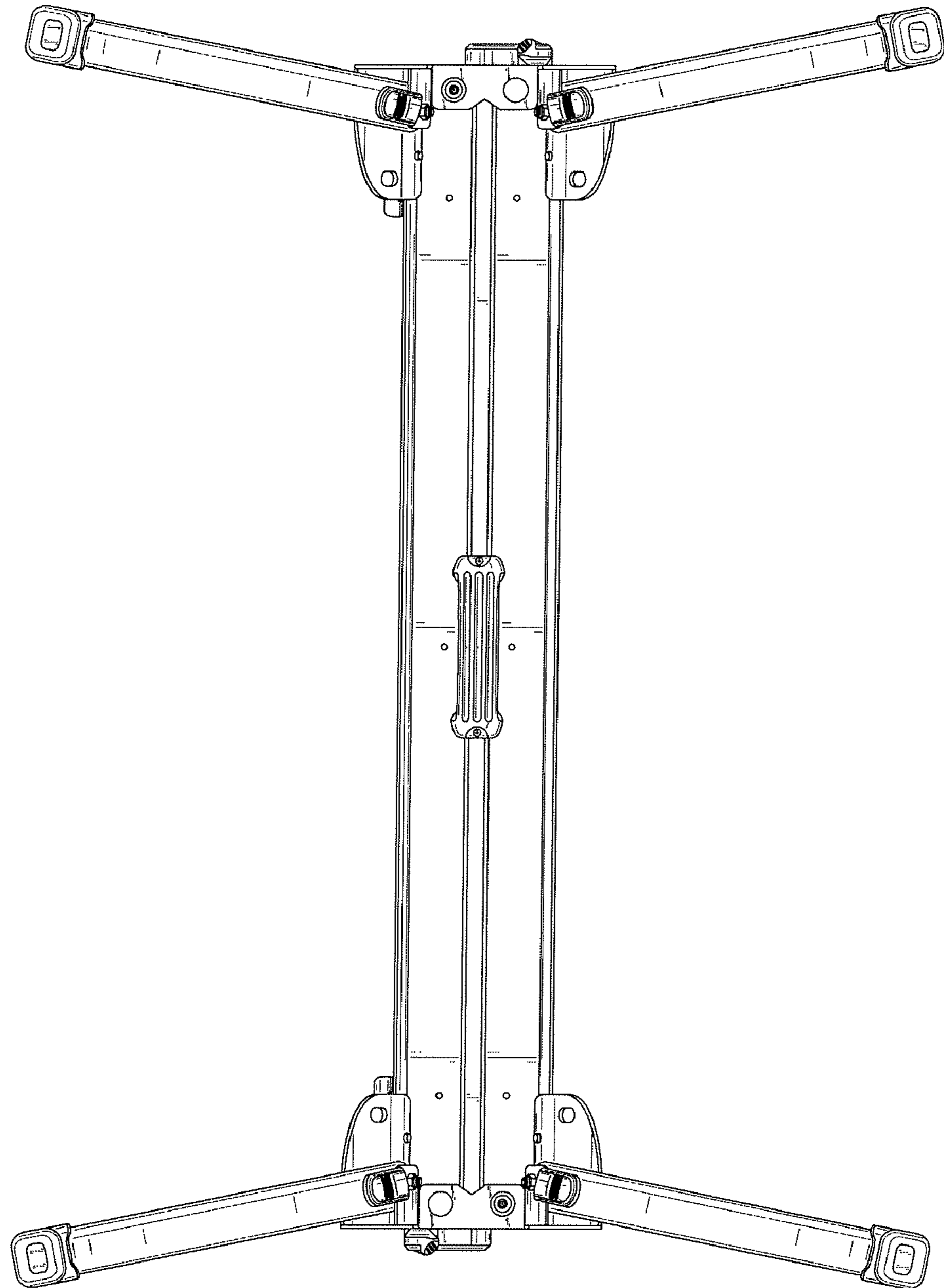


FIG. 7