



US00D638138S

(12) **United States Design Patent**
Wong

(10) **Patent No.:** **US D638,138 S**

(45) **Date of Patent:** **** May 17, 2011**

(54) **TEST TUBE RACK**

(75) **Inventor:** **Johnson N. S. Wong**, Rolling Hills, CA (US)

(73) **Assignee:** **Evergreen Industries, Inc.**, Los Angeles, CA (US)

(**) **Term:** **14 Years**

(21) **Appl. No.:** **29/379,720**

(22) **Filed:** **Nov. 23, 2010**

(51) **LOC (9) Cl.** **24-02**

(52) **U.S. Cl.** **D24/227**

(58) **Field of Classification Search** D24/216,
D24/222, 224, 226, 227, 229, 230; 422/63-64,
422/99-104, 250, 266, 297, 330, 476, 561,
422/942; 206/563, 446; 211/69, 71-72,
211/74, 71.01

See application file for complete search history.

(56) **References Cited**

U.S. PATENT DOCUMENTS

D282,579	S	*	2/1986	Juergens	D24/230
D302,207	S	*	7/1989	Matkovich	D24/226
5,048,957	A	*	9/1991	Berthold et al.	422/942
5,169,603	A		12/1992	Landsberger		
5,632,388	A	*	5/1997	Morrison et al.	422/561

D414,271	S	*	9/1999	Mendoza	D24/224
D448,854	S	*	10/2001	Kuiper et al.	D24/227
D461,554	S	*	8/2002	Lafond et al.	D24/230
D466,219	S	*	11/2002	Wynschenk et al.	D24/227
6,568,544	B1	*	5/2003	Lafond et al.	211/74
D529,622	S	*	10/2006	Hadjis et al.	D24/229
D533,948	S	*	12/2006	Schaub et al.	D24/229
D556,338	S	*	11/2007	Coulling et al.	D24/230
D566,851	S	*	4/2008	Hawker et al.	D24/230
D591,425	S	*	4/2009	Hawker et al.	D24/230

* cited by examiner

Primary Examiner — T. Chase Nelson

Assistant Examiner — Mark Cavanna

(74) *Attorney, Agent, or Firm* — Berliner & Associates

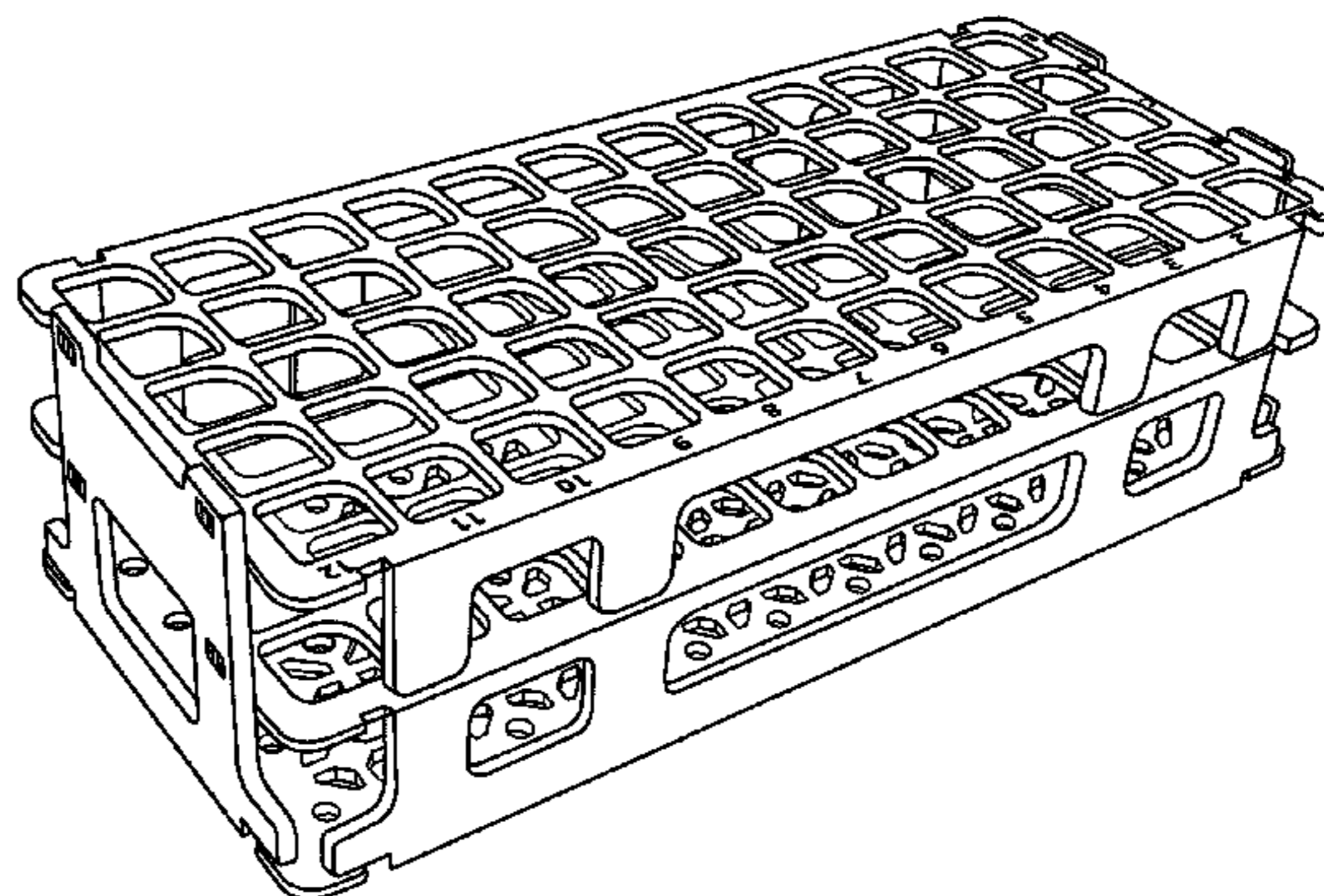
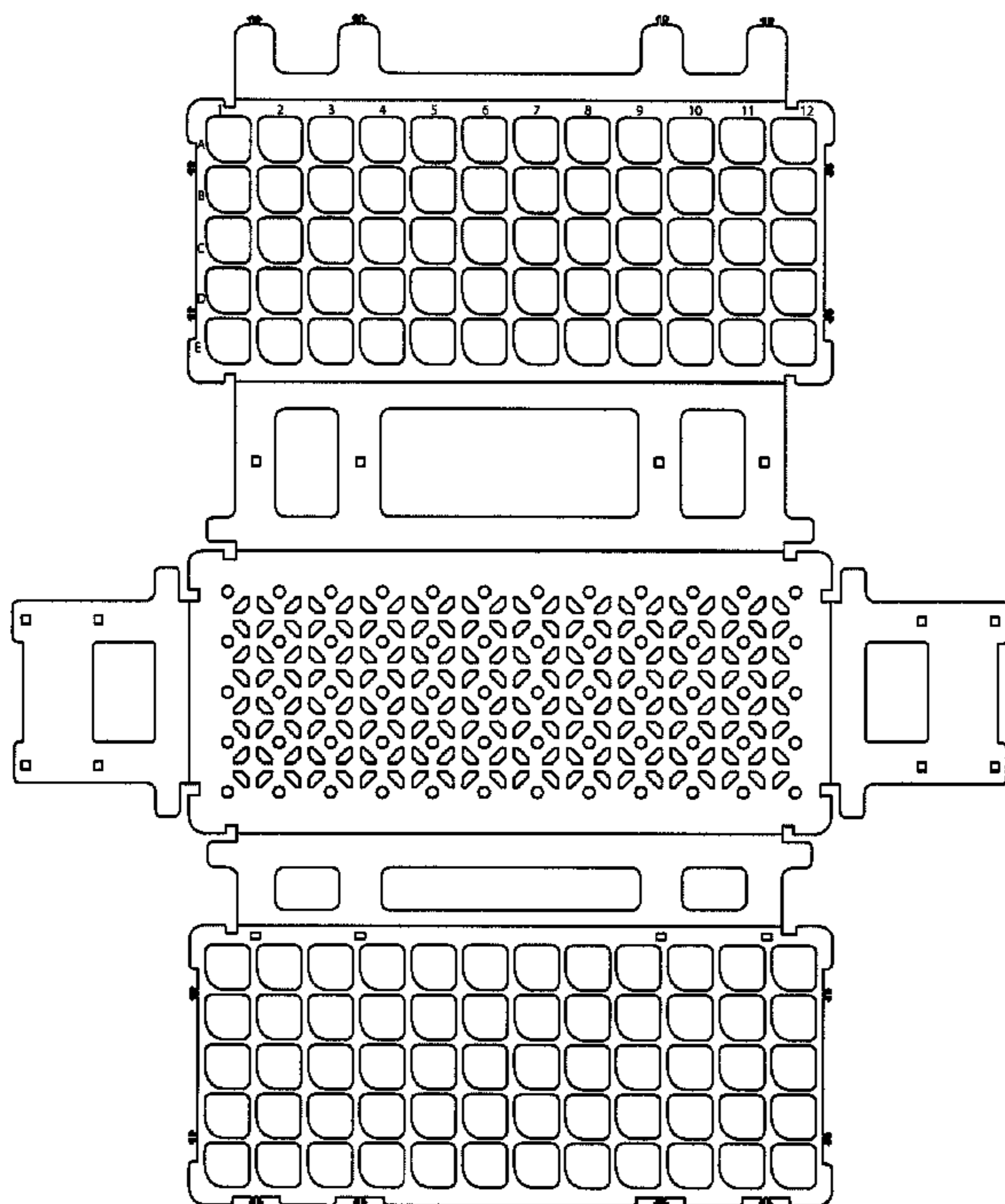
(57) **CLAIM**

The ornamental design for a test tube rack, as shown and described.

DESCRIPTION

FIG. 1 is a plan view of an unassembled test tube rack shown flat, showing my new design; FIG. 2 is a perspective view of the tube rack shown in condition of use at the first step of assembly; FIG. 3 is a perspective view of the tube rack shown in condition of use at the second step of assembly; FIG. 4 is a perspective view of the tube rack shown in condition of use with the test tube rack shown fully assembled; and, FIG. 5 is an enlarged view of a portion of FIG. 1 showing portions of the lettering and numbering in greater detail.

1 Claim, 5 Drawing Sheets



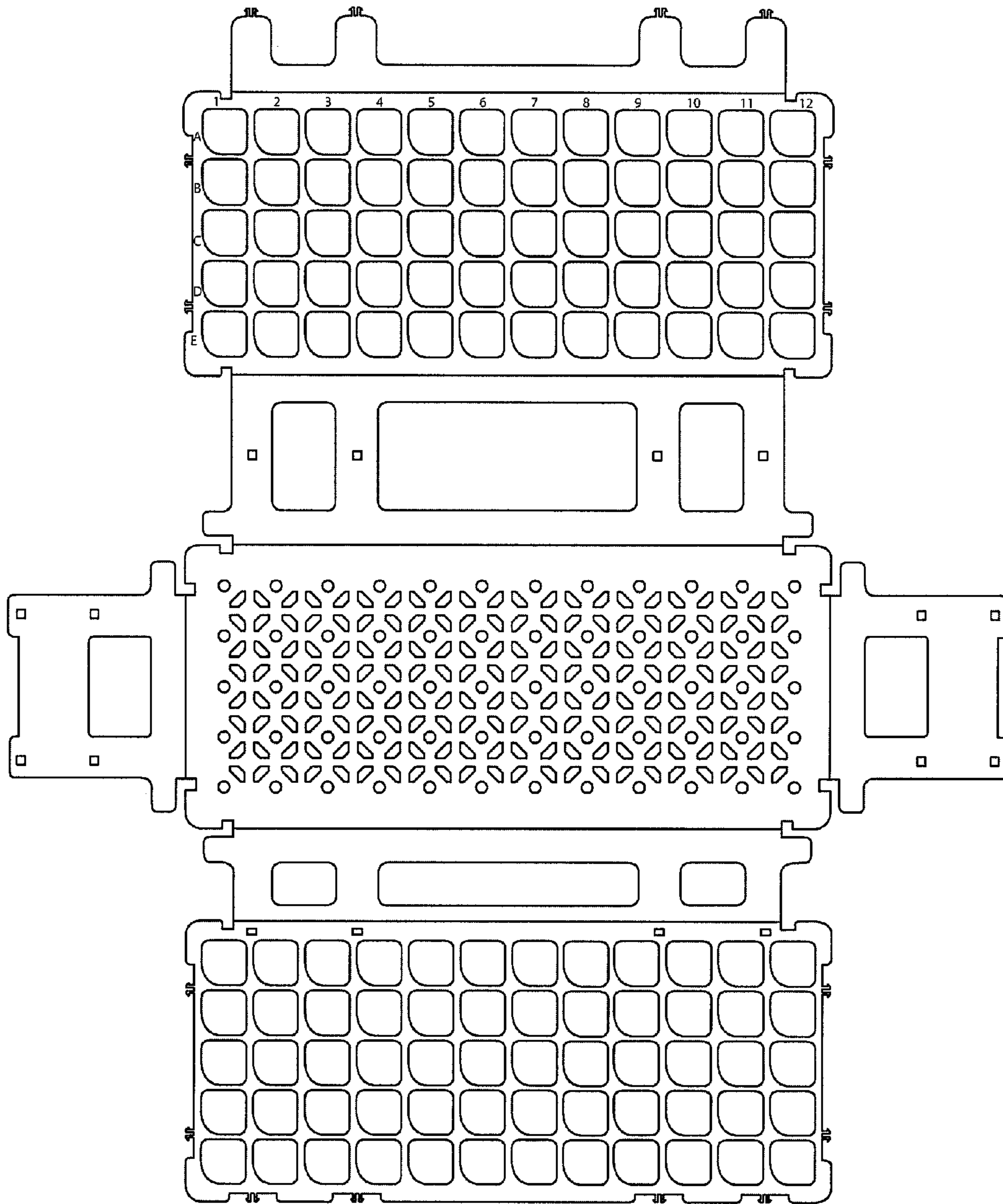


Fig. 1

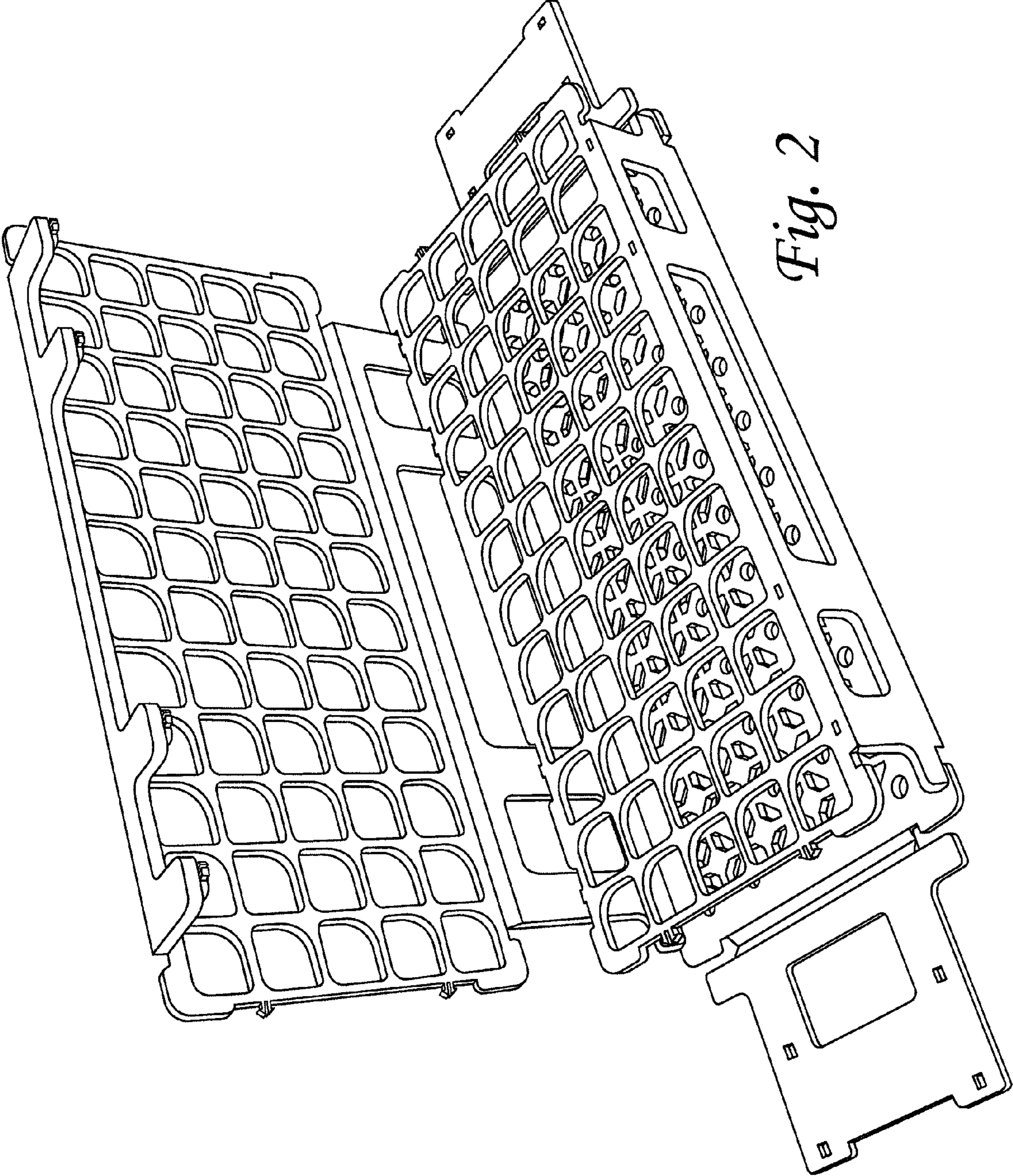


Fig. 2

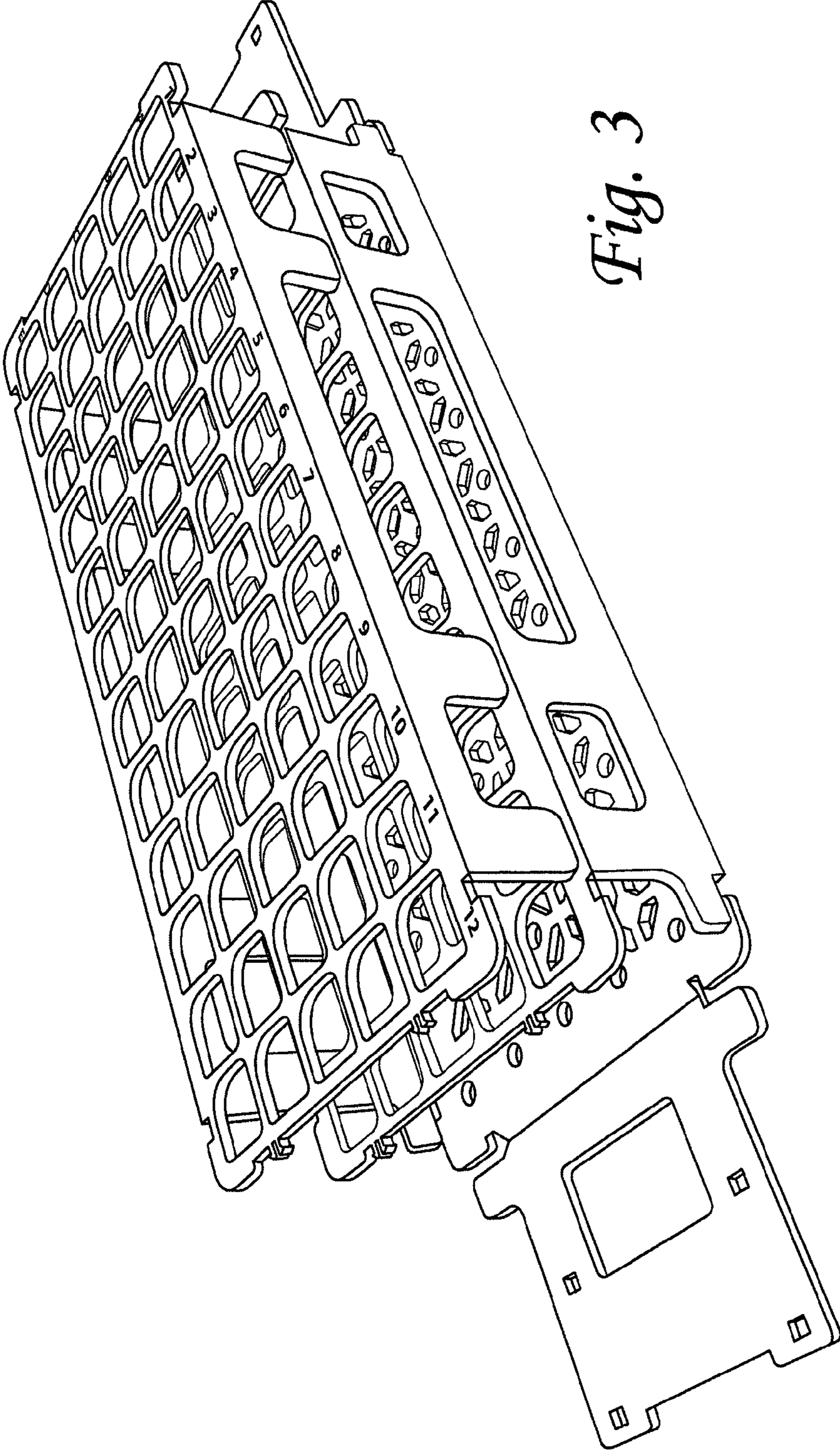


Fig. 3

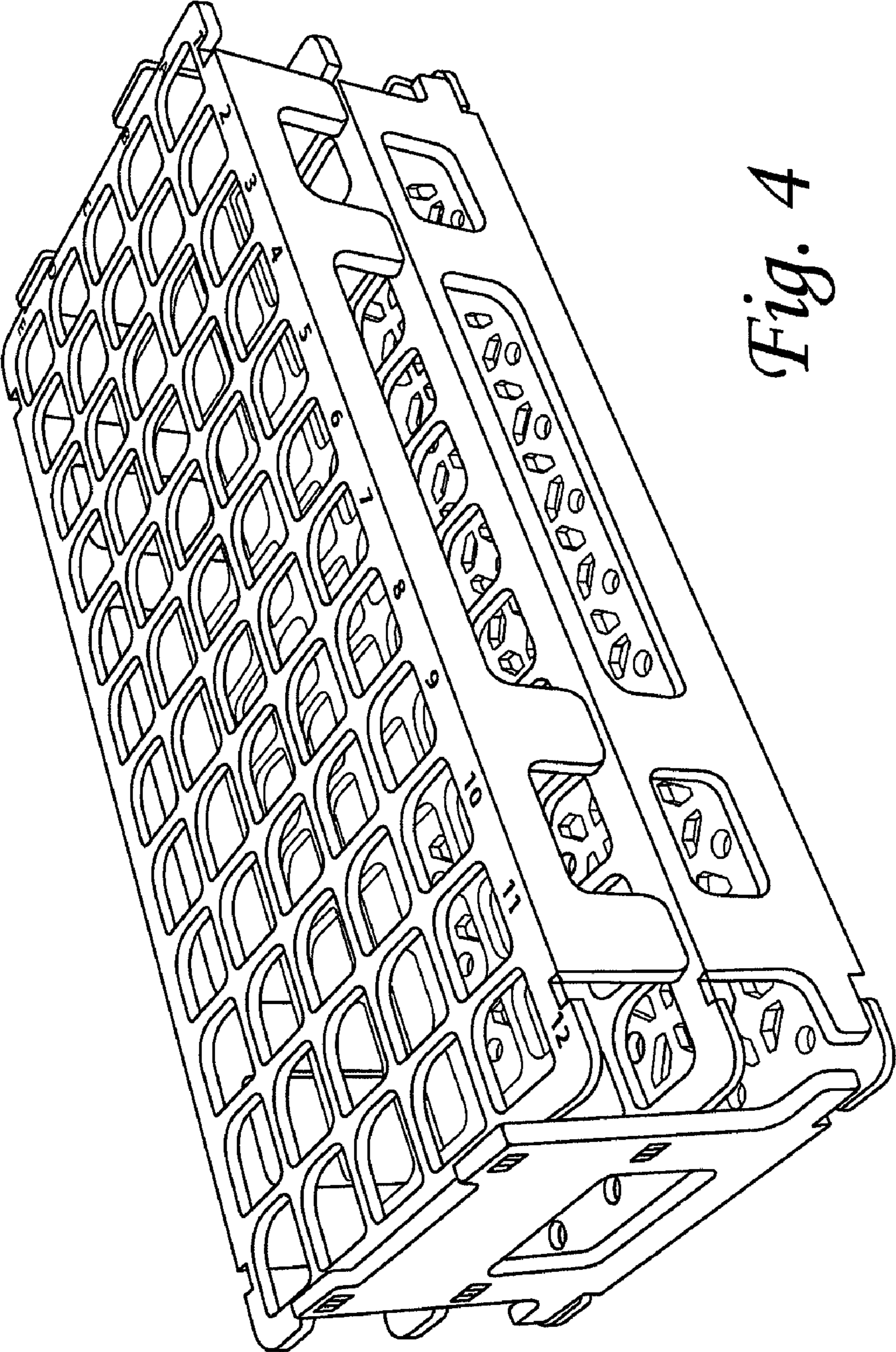


Fig. 4

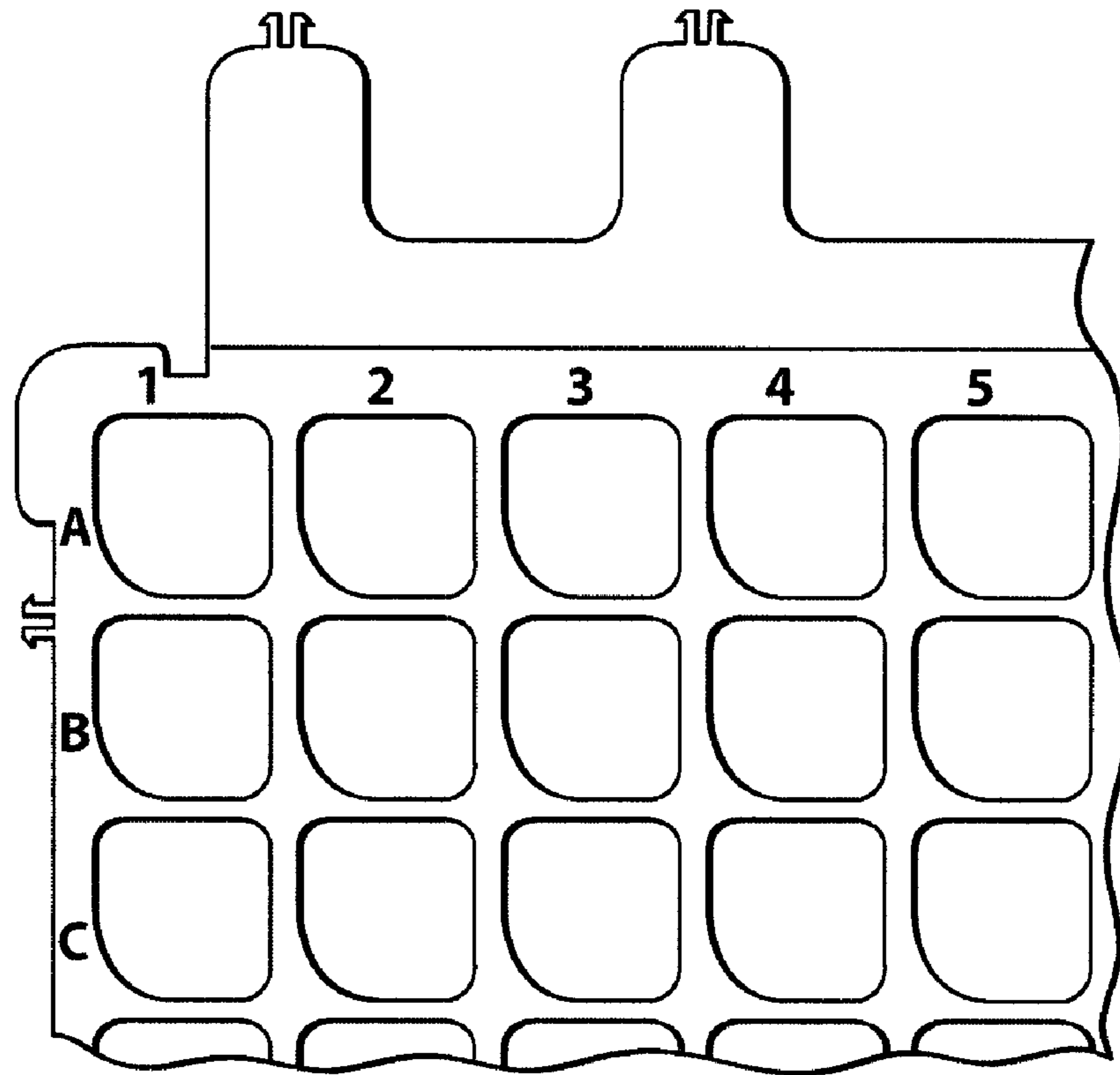


Fig. 5