

US00D638137S

(12) **United States Design Patent**  
**Gross et al.**

(10) **Patent No.:** **US D638,137 S**

(45) **Date of Patent:** **\*\* May 17, 2011**

(54) **PREP TRAY**

(76) Inventors: **Mark Gross**, Downey, CA (US); **Brett Gross**, Tarzana, CA (US); **Eric Gross**, Los Angeles, CA (US)

(\*\*) Term: **14 Years**

(21) Appl. No.: **29/370,917**

(22) Filed: **Sep. 21, 2010**

(51) **LOC (9) Cl.** ..... **24-01**

(52) **U.S. Cl.** ..... **D24/227**

(58) **Field of Classification Search** ..... D24/123,  
D24/152, 176, 216, 218, 223, 224, 227-232;  
422/99, 102, 104, 297, 300; 433/77; D3/304,  
D3/307, 308, 314, 315; D7/500, 550.1, 543,  
D7/602, 554.3, 361, 354, 587; 206/438;  
D9/425; D6/406.1, 406.3, 406.4

See application file for complete search history.

(56) **References Cited**

**U.S. PATENT DOCUMENTS**

D237,315 S *	10/1975	Norwakoski	.....	D24/226
D237,317 S *	10/1975	Norwakoski	.....	D24/223
D248,871 S *	8/1978	Forsman et al.	.....	D24/230
D249,362 S *	9/1978	Forsman et al.	.....	D24/230
D261,934 S *	11/1981	Porteous	.....	D24/227
D268,130 S *	3/1983	Easton	.....	D24/230
D275,886 S *	10/1984	Sheward et al.	.....	D24/227
D276,462 S *	11/1984	Villarreal	.....	D24/229
D280,663 S *	9/1985	Albon et al.	.....	D24/226
D280,933 S *	10/1985	McLaughlin	.....	D24/229

D332,397 S *	1/1993	Schea et al.	.....	D24/227
D334,973 S *	4/1993	Valentine et al.	.....	D24/227
D337,830 S *	7/1993	Coyne et al.	.....	D24/229
D339,869 S *	9/1993	Schea et al.	.....	D24/224
D352,516 S *	11/1994	Newman et al.	.....	D24/218
D387,177 S *	12/1997	Davis	.....	D24/227
D441,090 S *	4/2001	Broyles	.....	D24/176
D450,130 S *	11/2001	Goldstein	.....	D24/227
D591,866 S *	5/2009	Malkin et al.	.....	D24/227
D596,311 S *	7/2009	Antons	.....	D24/227
D608,015 S *	1/2010	Sandel	.....	D24/227
D608,456 S *	1/2010	Sandel	.....	D24/227
D609,819 S *	2/2010	Tomes et al.	.....	D24/227
D618,821 S *	6/2010	Larsen	.....	D24/227
D625,430 S *	10/2010	Meyer-Hayoz	.....	D24/152
D625,832 S *	10/2010	Meyer-Hayoz	.....	D24/229

\* cited by examiner

*Primary Examiner* — T. Chase Nelson

*Assistant Examiner* — Mark Cavanna

(74) *Attorney, Agent, or Firm* — James E. Brunton

(57) **CLAIM**

The ornamental design for a “prep tray,” as shown.

**DESCRIPTION**

FIG. 1 is a perspective view of a “prep tray” showing our new design;

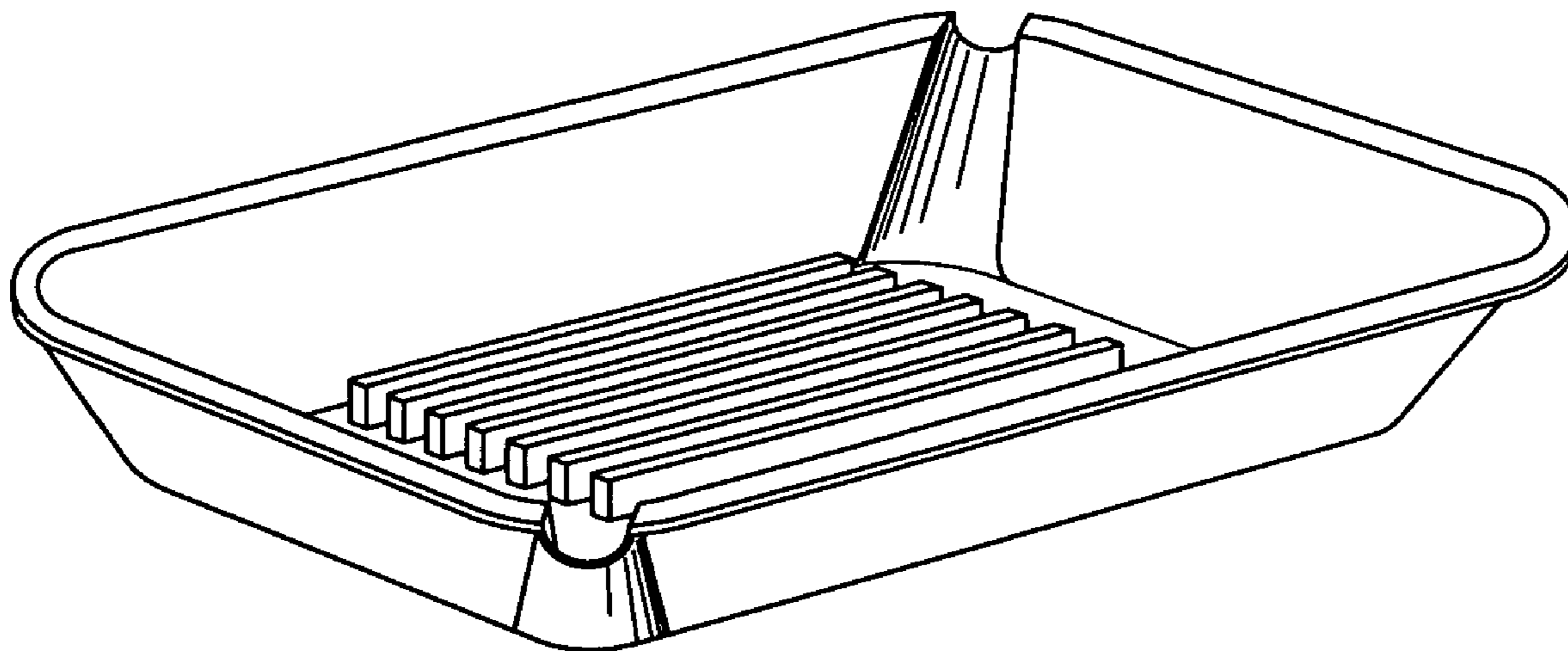
FIG. 2 is a side view thereof;

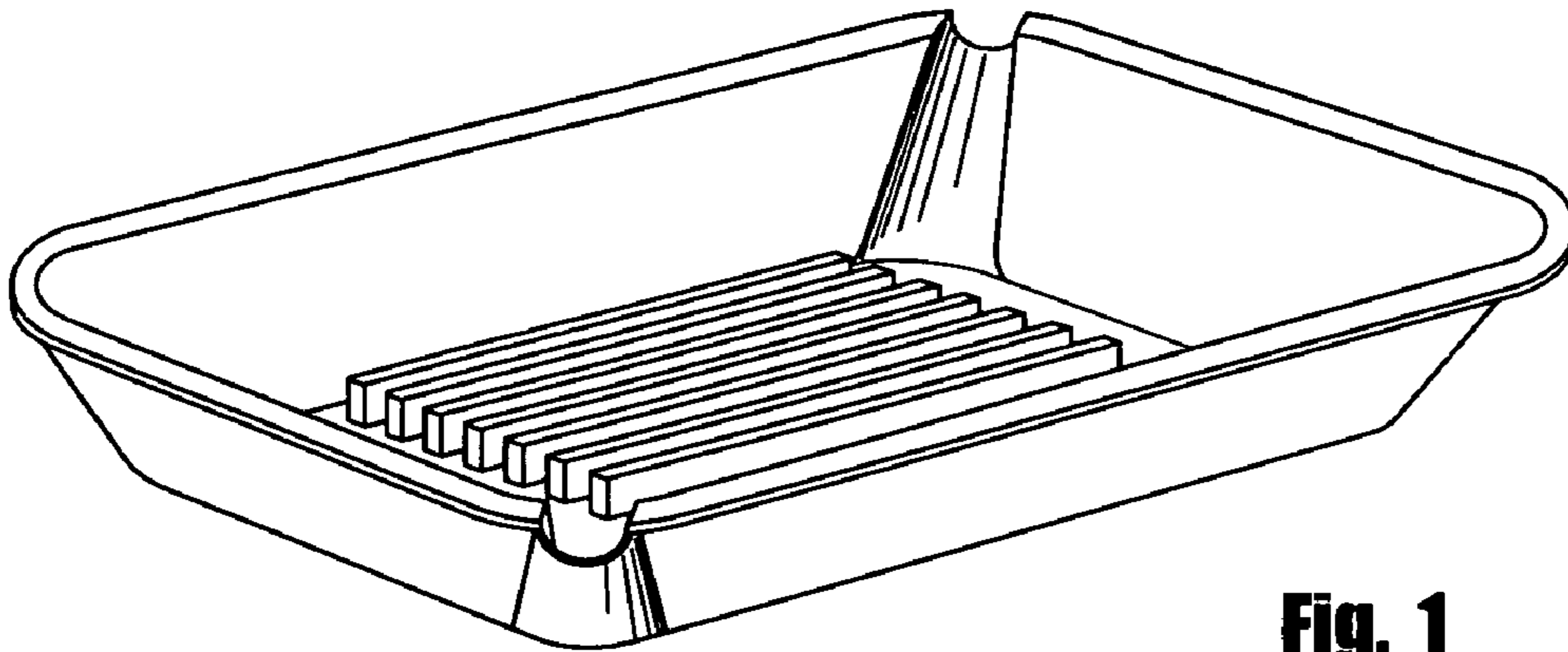
FIG. 3 is an end view thereof;

FIG. 4 is a top plan view thereof; and,

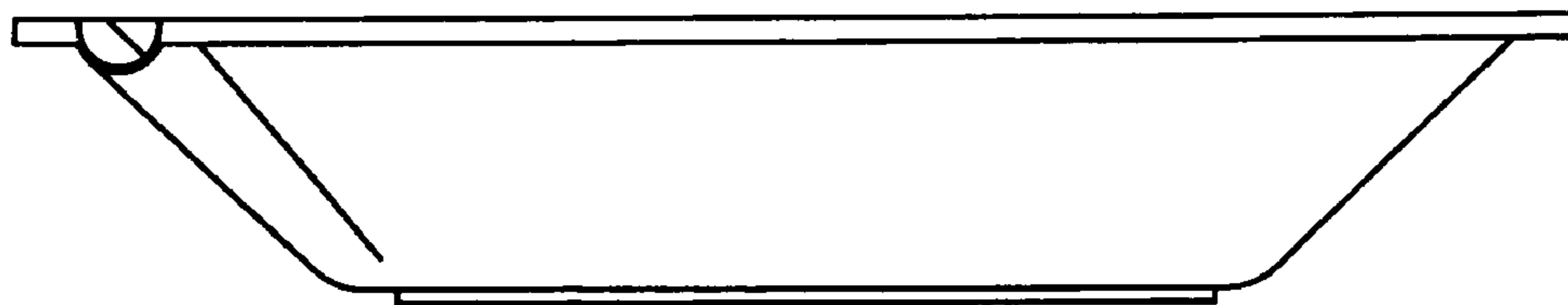
FIG. 5 is a bottom plan view thereof.

**1 Claim, 2 Drawing Sheets**

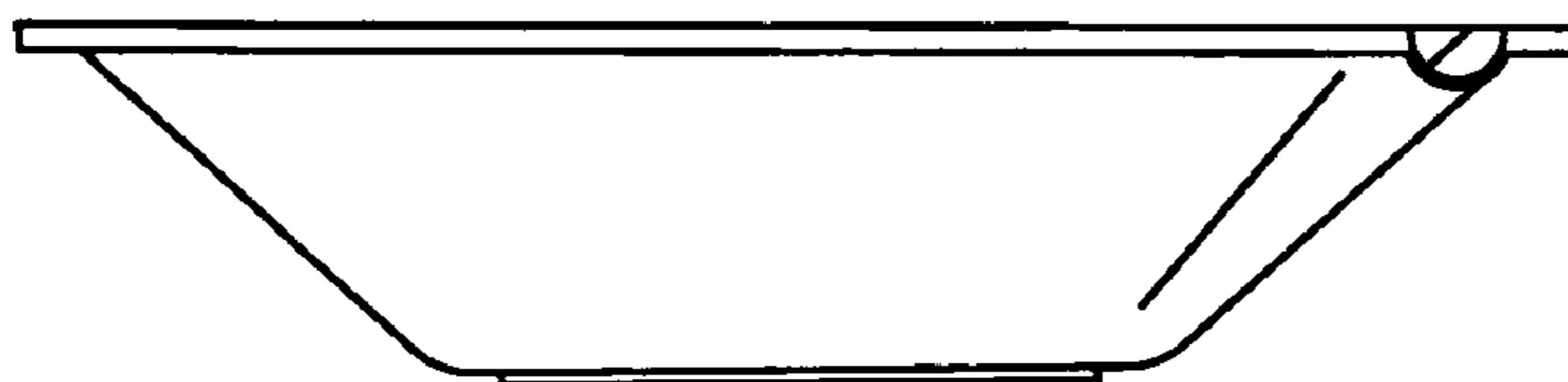




**Fig. 1**

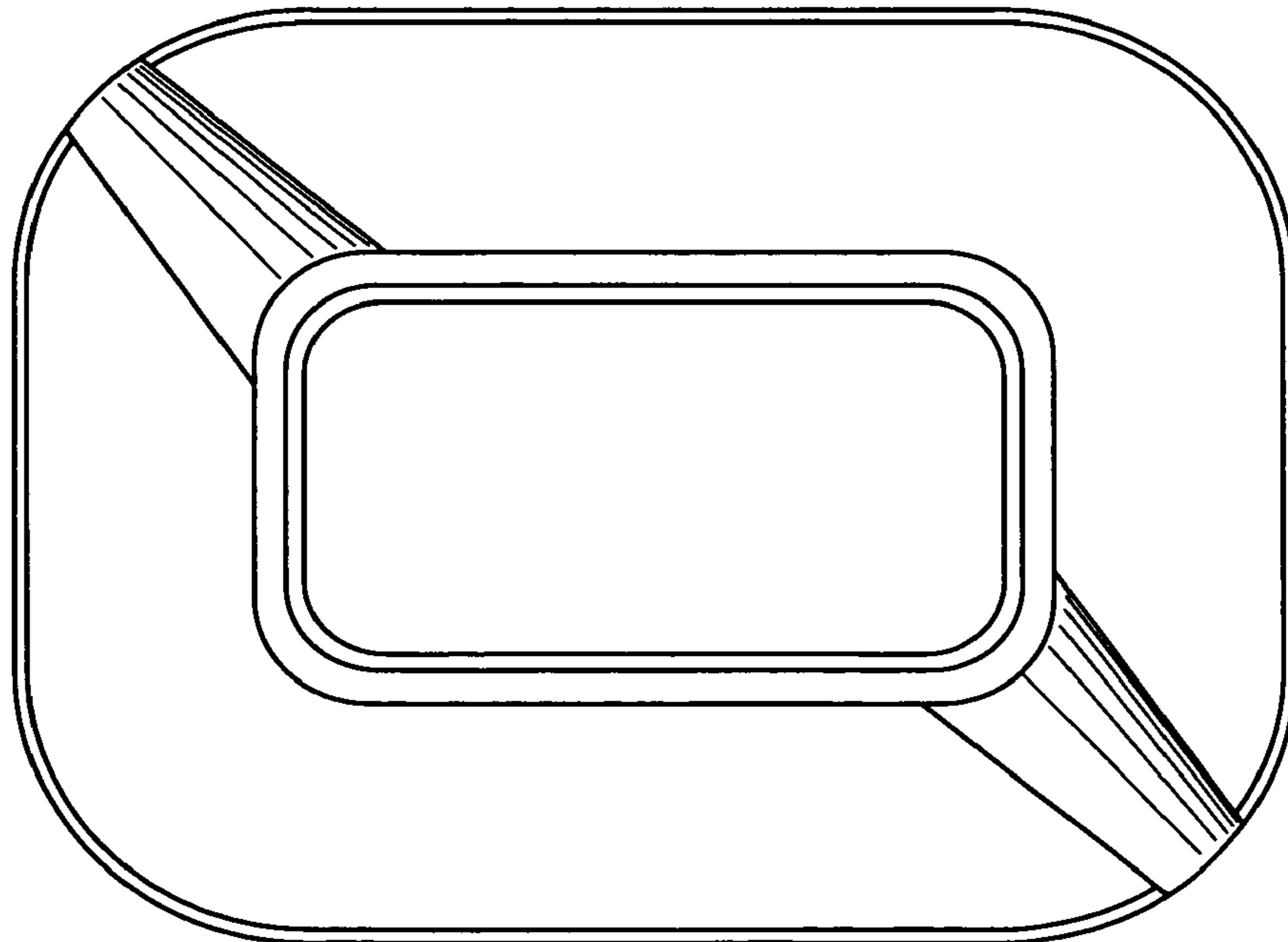
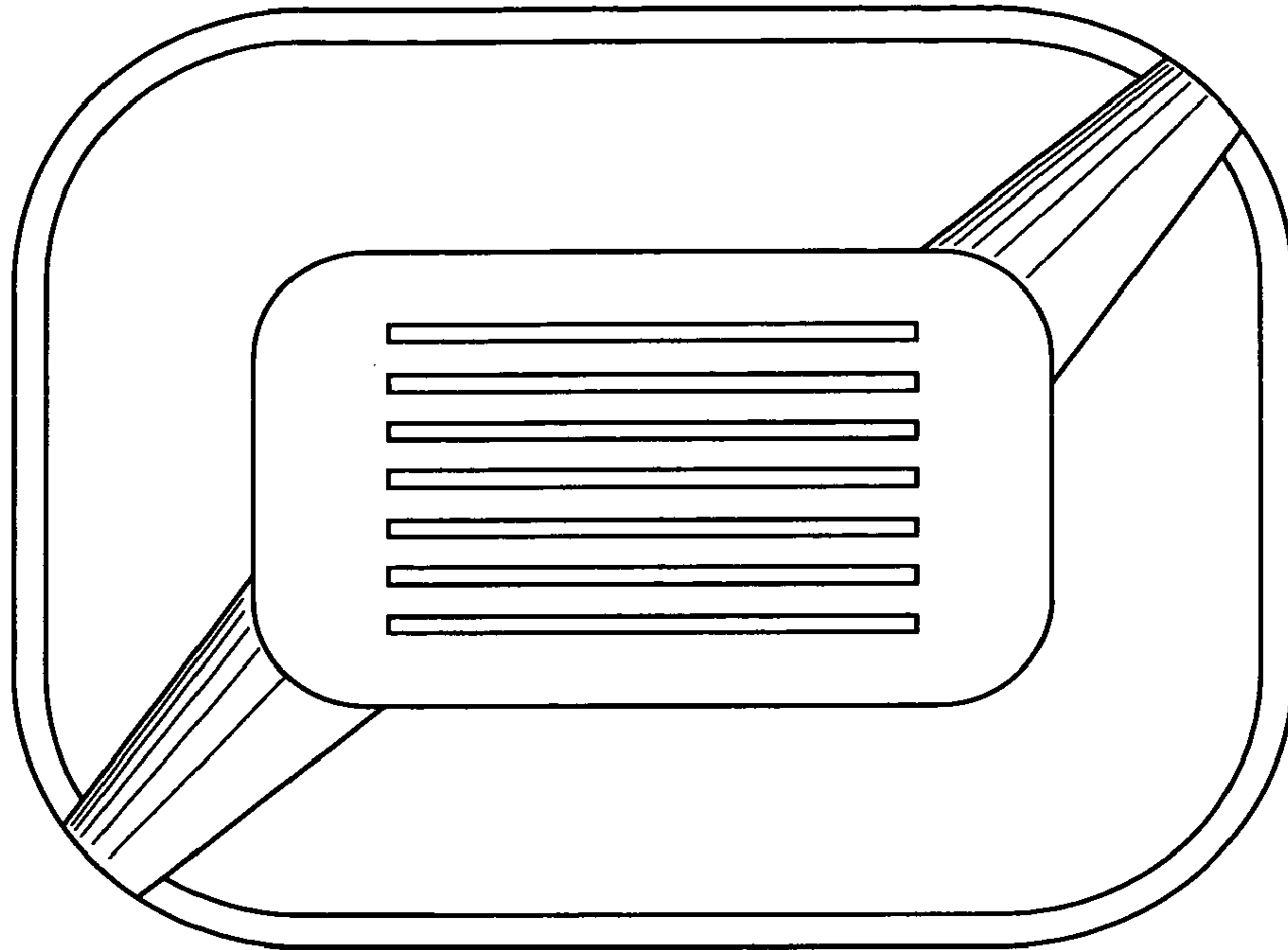


**Fig. 2**



**Fig. 3**

**Fig. 4**



**Fig. 5**