



US00D638136S

(12) **United States Design Patent**
Parunak et al.

(10) **Patent No.:** **US D638,136 S**

(45) **Date of Patent:** **** May 17, 2011**

(54) **EMBRYO OR CELL CULTURE APPARATUS**

(75) Inventors: **Gene Parunak**, Saline, MI (US);
Arthur D. Gershowitz, Ann Arbor, MI
(US); **Syed Zafar Razzacki**, Canton, MI
(US)

(73) Assignee: **ORIGIO, Inc.**, Charlottesville, VA (US)

(**) Term: **14 Years**

(21) Appl. No.: **29/353,263**

(22) Filed: **Jan. 6, 2010**

(51) **LOC (9) Cl.** **24-01**

(52) **U.S. Cl.** **D24/224**

(58) **Field of Classification Search** D24/216,
D24/222-226, 231, 232, 169; D10/81;
D3/203.1-203.8; 422/99, 102; D9/503,
D9/504, 505, 529, 549, 756, 759, 760; 435/288.1,
435/288.3, 288.4, 304.1, 305.1, 305.3, 305.4
See application file for complete search history.

(56) **References Cited**

U.S. PATENT DOCUMENTS

D295,319 S * 4/1988 Franchere et al. D24/224
D303,428 S * 9/1989 Wada et al. D24/224
D316,752 S * 5/1991 Ricketts D24/226
D404,497 S * 1/1999 Lahm et al. D24/224
5,916,522 A * 6/1999 Boyd et al. 422/102
D547,879 S * 7/2007 Lee D24/223

D561,905 S * 2/2008 Ramel et al. D24/216
7,395,575 B1 * 7/2008 Webb et al. 15/104.92
2004/0161855 A1 * 8/2004 Kvasnik et al. 422/99

* cited by examiner

Primary Examiner — T. Chase Nelson

Assistant Examiner — Anhdao Doan

(74) *Attorney, Agent, or Firm* — Thomas & Karceski, P.C.

(57) **CLAIM**

The ornamental design for an embryo or cell culture apparatus, as shown and described.

DESCRIPTION

FIG. 1 is a perspective view of an embryo or cell culture apparatus according to our design;

FIG. 2 is a top plan view of the embryo or cell culture apparatus of FIG. 1;

FIG. 3 is a bottom plan view of the embryo or cell culture apparatus of FIG. 1;

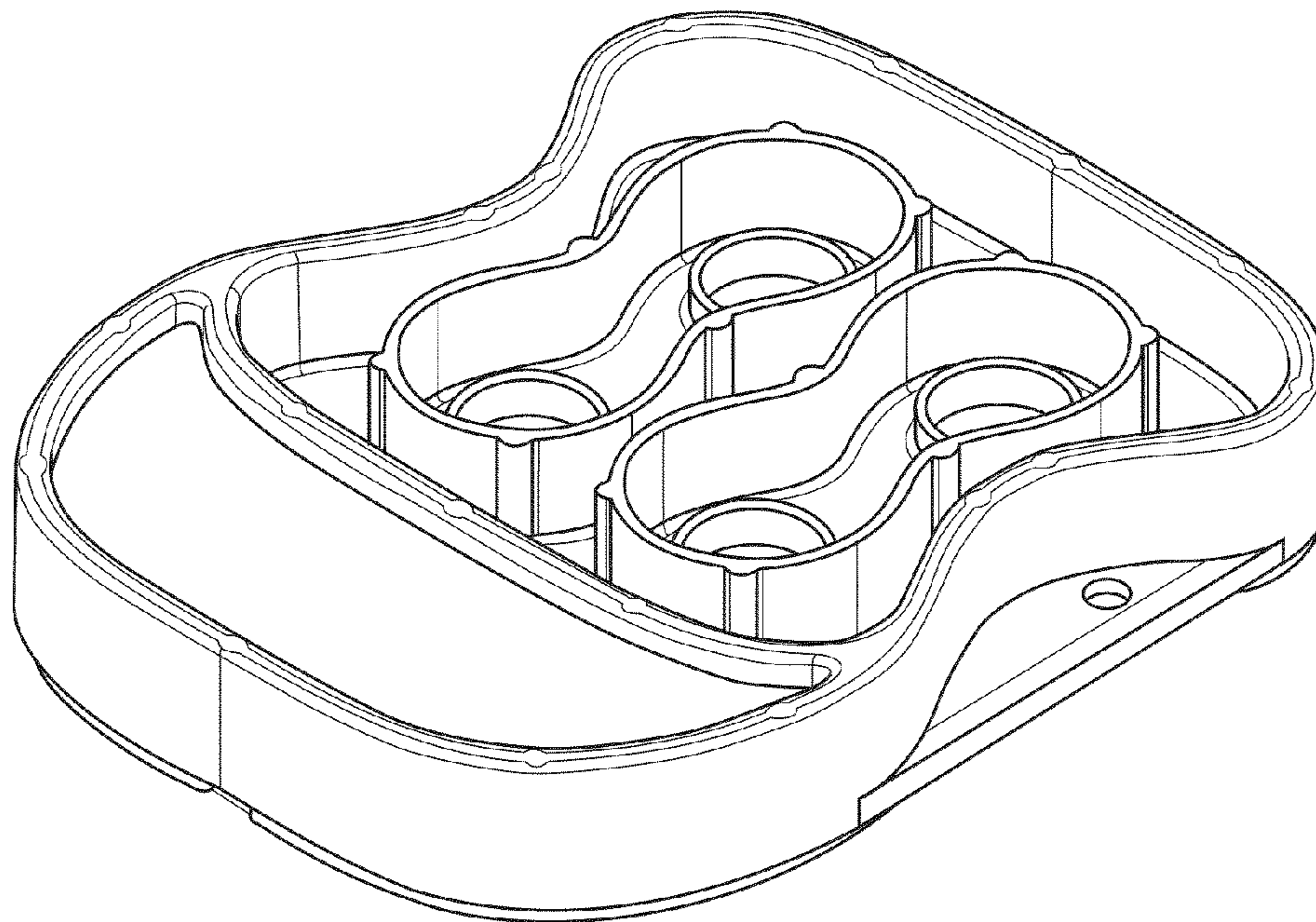
FIG. 4 is a front elevational view of the embryo or cell culture apparatus of FIG. 1;

FIG. 5 is a right side elevational view of the embryo or cell culture apparatus of FIG. 1, the left side elevational view being a mirror image of the right side;

FIG. 6 is a top perspective view of the embryo or cell culture apparatus of FIG. 1; and,

FIG. 7 is a bottom perspective view of the embryo or cell culture apparatus of FIG. 1.

1 Claim, 6 Drawing Sheets



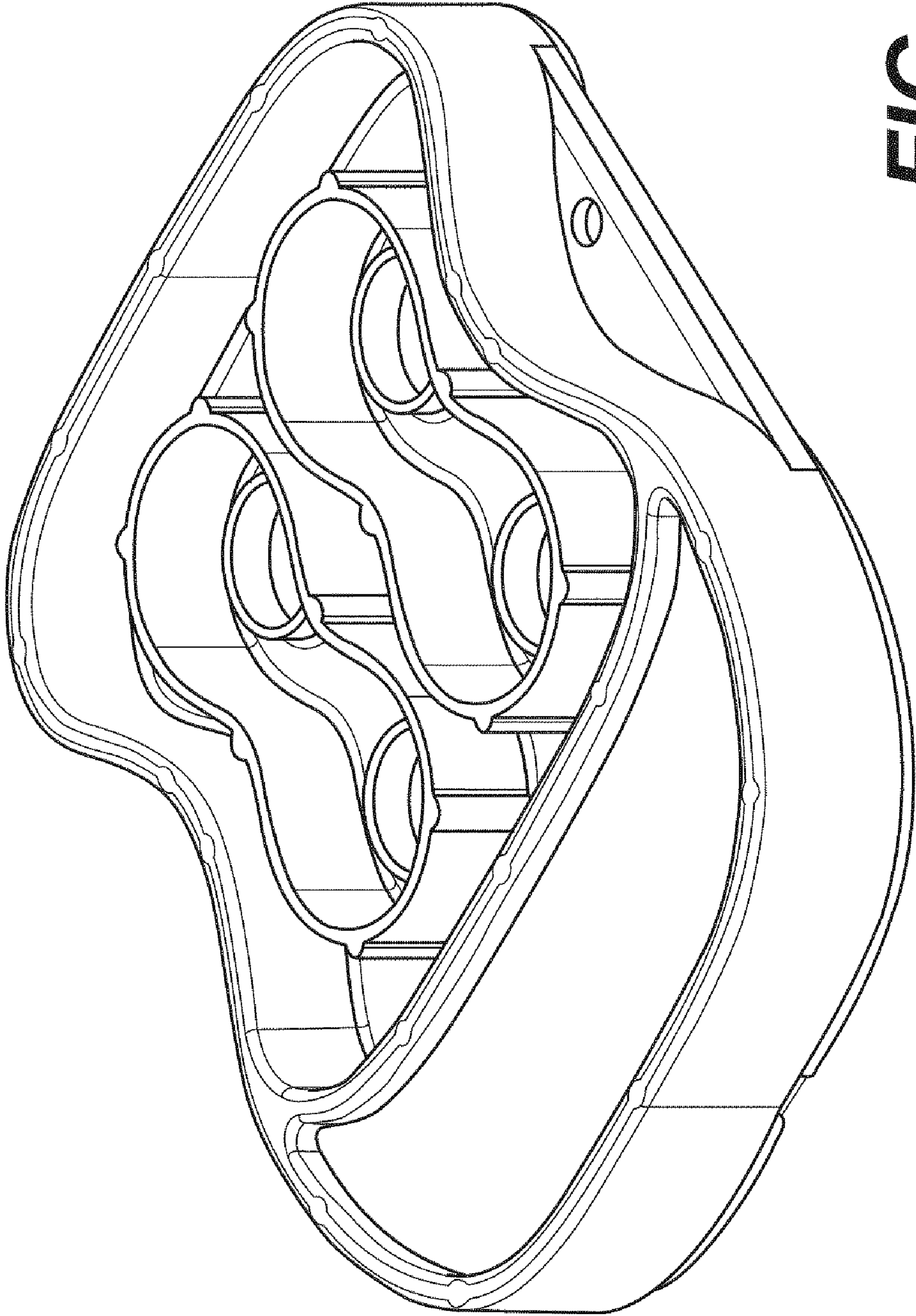


FIG. 1

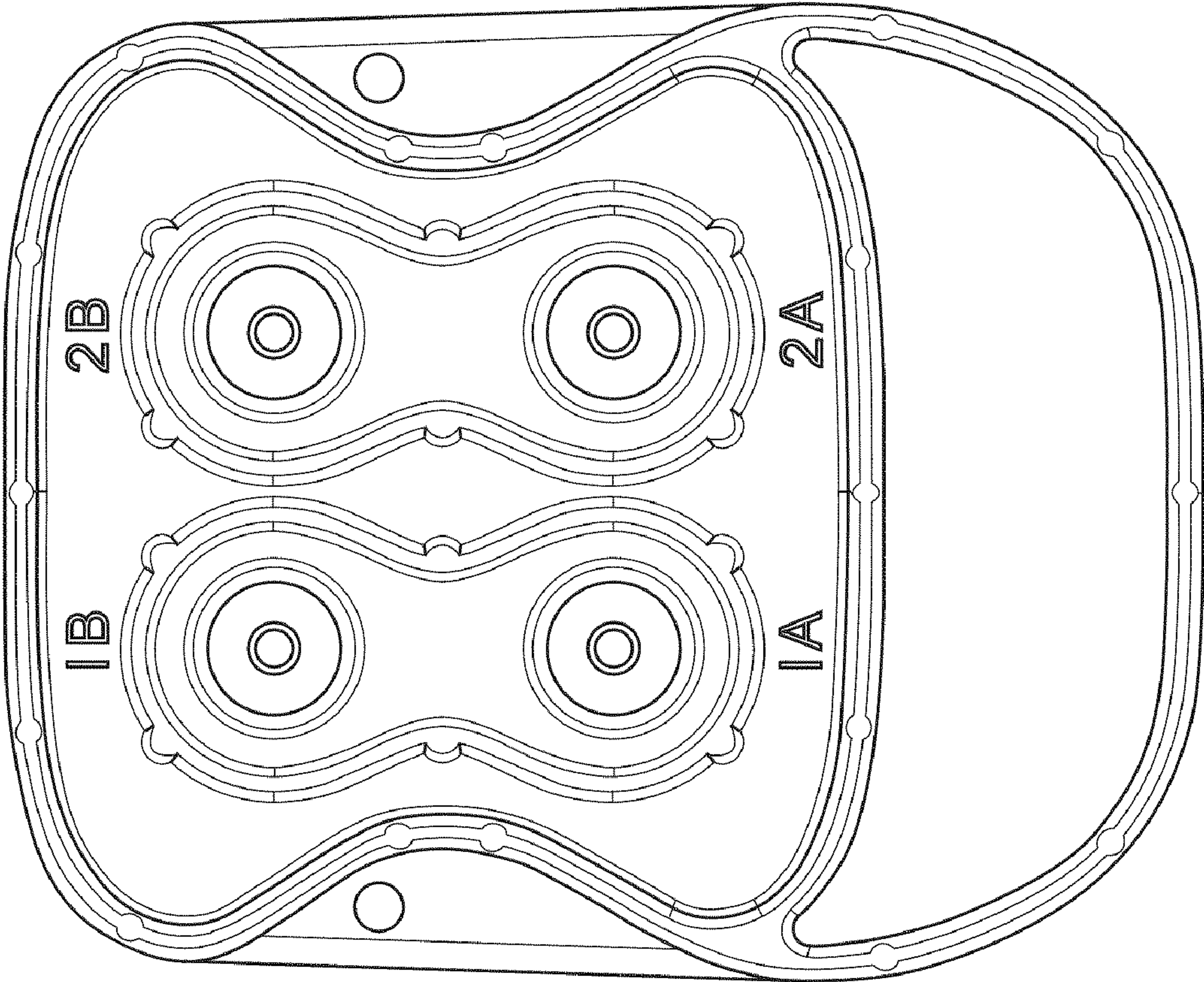


FIG. 2

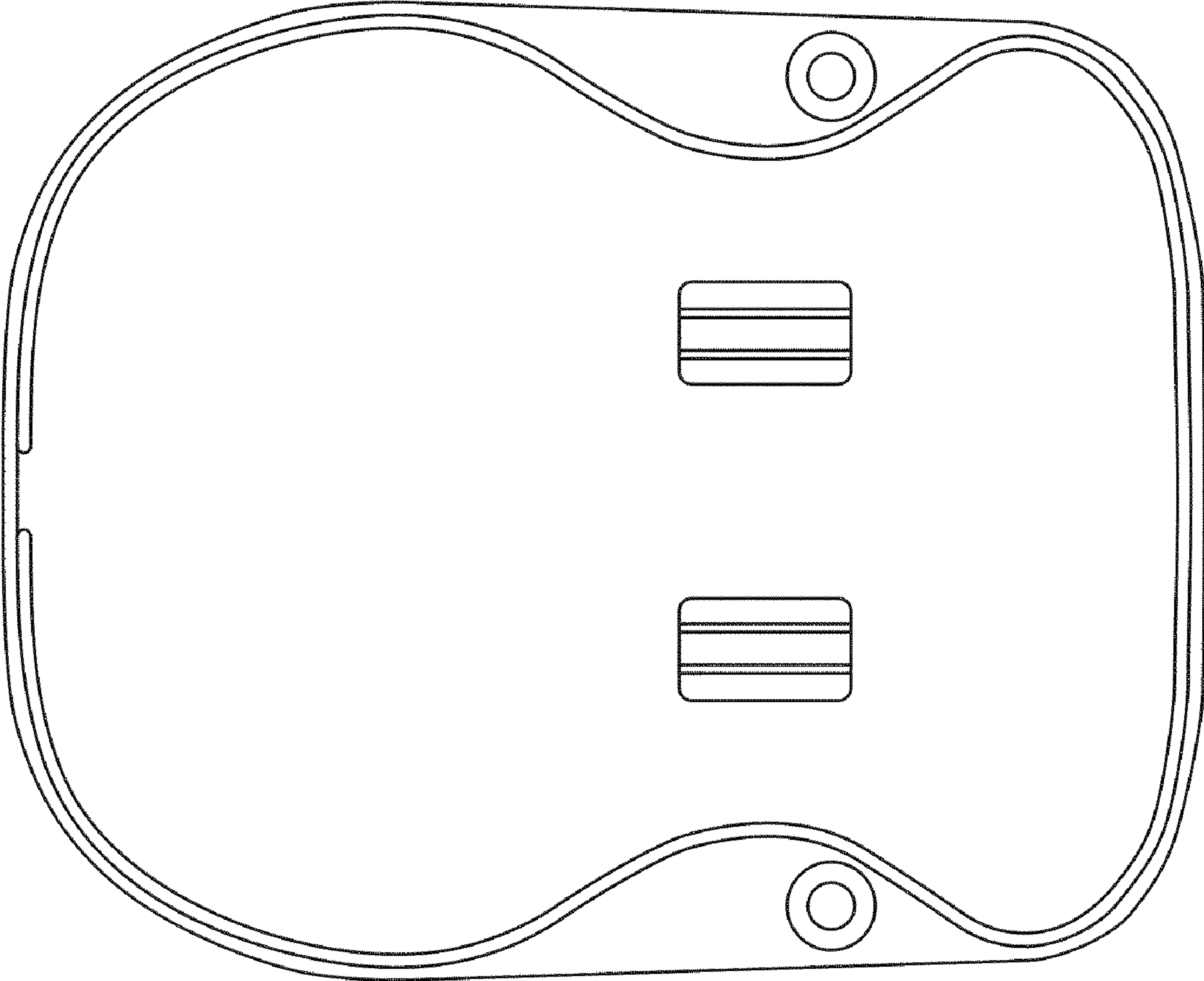


FIG. 3

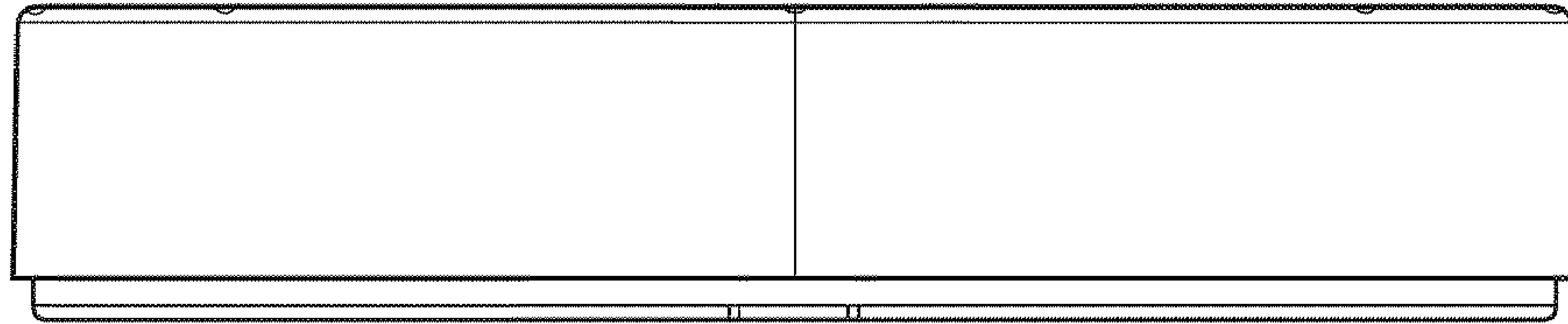


FIG. 4

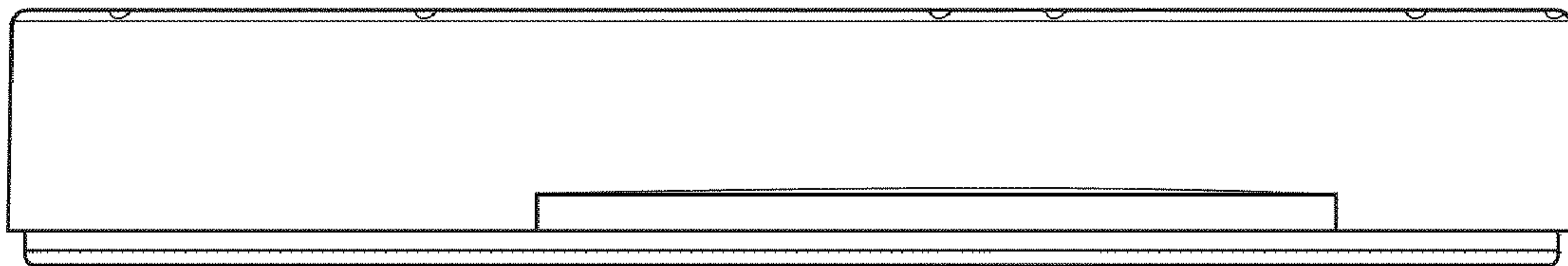


FIG. 5

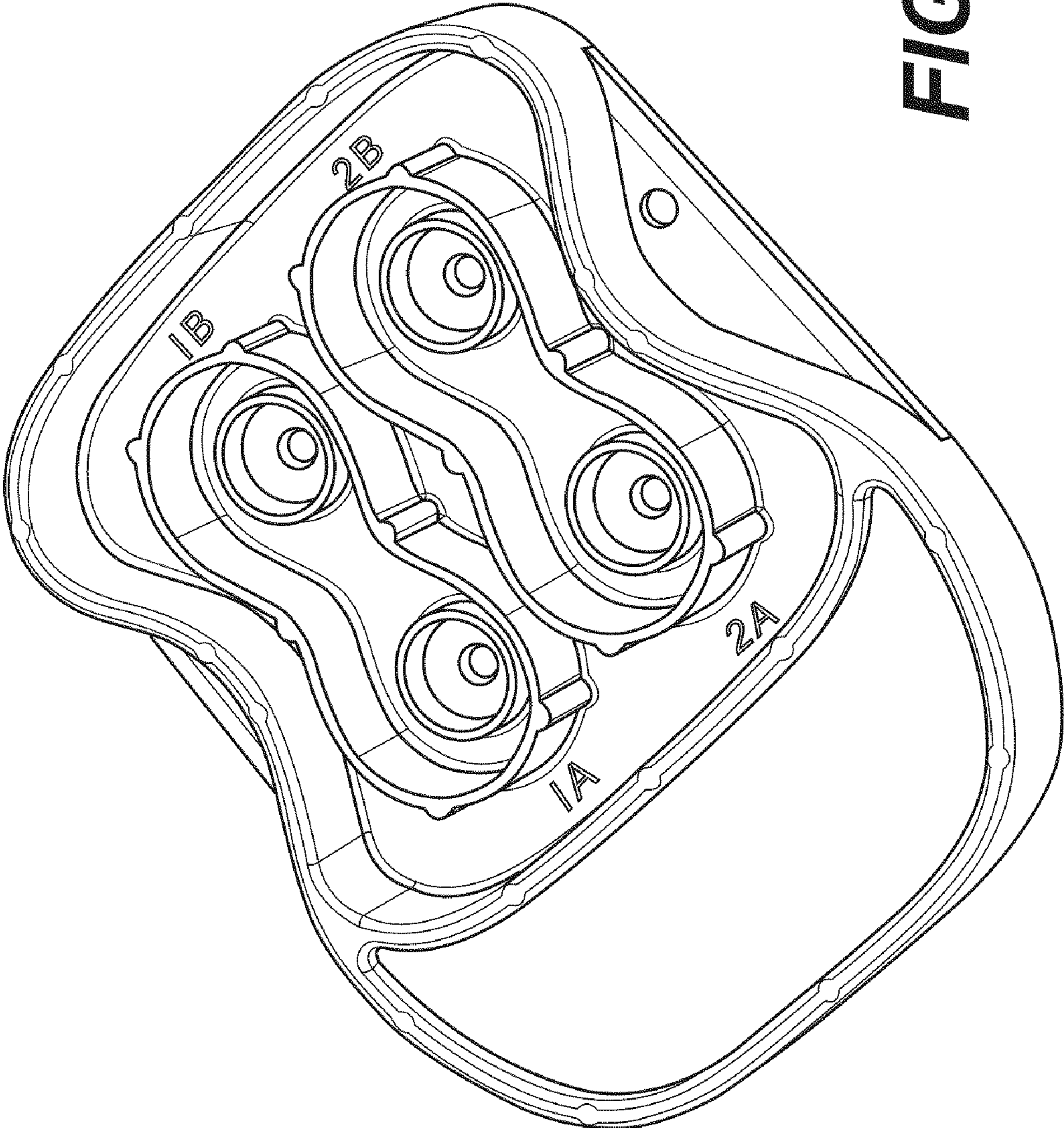


FIG. 6

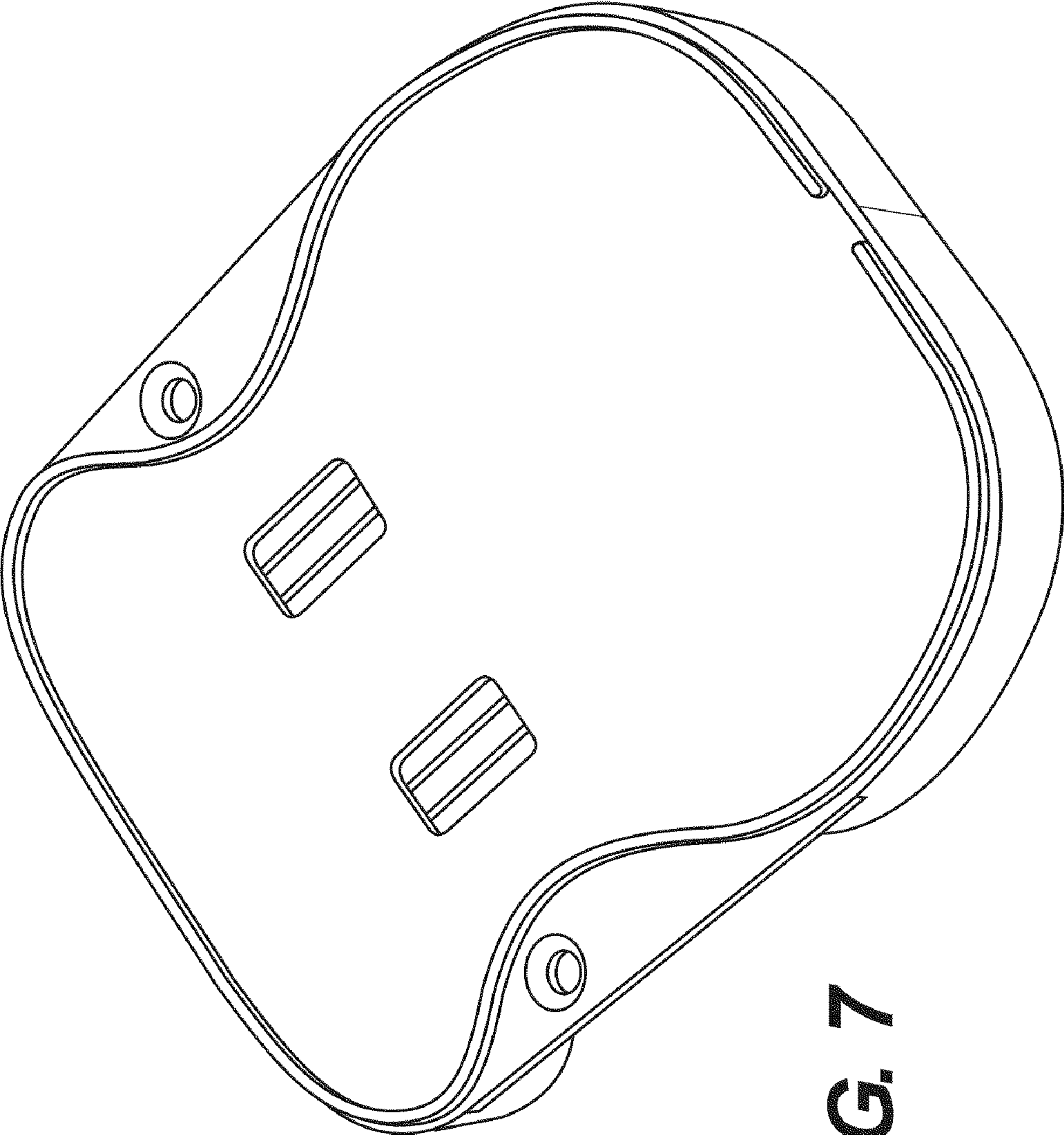


FIG. 7