



US00D638133S

(12) **United States Design Patent**
Lee

(10) **Patent No.:** **US D638,133 S**

(45) **Date of Patent:** **** May 17, 2011**

(54) **CYLINDER BODY FOR BUBBLE GENERATOR**

(76) Inventor: **Yong-Dae Lee**, Seoul (KR)

(**) Term: **14 Years**

(21) Appl. No.: **29/366,358**

(22) Filed: **Jul. 23, 2010**

(51) **LOC (9) Cl.** **23-02**

(52) **U.S. Cl.** **D24/201**

(58) **Field of Classification Search** D24/201,
D24/204, 205; D23/277; 601/154–158,
601/168; 4/541.1–541.6, 547, 578.1, 579
See application file for complete search history.

(56) **References Cited**

U.S. PATENT DOCUMENTS

3,336,921	A *	8/1967	Lloyd	D24/201
D278,082	S *	3/1985	Cowley	D24/201
4,502,168	A *	3/1985	Jaworski	4/541.6
D305,688	S *	1/1990	Heiligenstein et al.	D24/201
4,918,768	A *	4/1990	DeSousa et al.	4/541.5
5,003,646	A *	4/1991	Stamp et al.	4/541.6
D387,172	S *	12/1997	del Fresno	D24/201
5,930,852	A *	8/1999	Gravatt et al.	4/541.1
6,277,086	B1 *	8/2001	Wu	601/168
6,293,963	B1 *	9/2001	Wey	D24/204
D460,192	S *	7/2002	Collins et al.	D24/204

6,453,484 B1 * 9/2002 Pinciario 4/541.6
7,108,202 B1 * 9/2006 Chang 4/541.1

* cited by examiner

Primary Examiner — David G Muller

(74) *Attorney, Agent, or Firm* — Kile Park Goekjian Reed & McManus PLLC

(57) **CLAIM**

I claim, the ornamental design for a cylinder body for bubble generator, as shown and described.

DESCRIPTION

FIG. 1 is a perspective view of a cylinder body for bubble generator, showing my new design;
FIG. 2 is a front elevational view thereof;
FIG. 3 is a rear elevational view thereof;
FIG. 4 is a left side elevational view thereof;
FIG. 5 is a right side elevational view thereof;
FIG. 6 is a top plan view thereof;
FIG. 7 is a bottom plan view thereof;
FIG. 8 is a perspective view showing the bottom of the cylinder body for bubble generator; and,
FIG. 9 is a cross-sectional view thereof taken along line '9—9' in FIG. 6.

The broken line showing of parts of the drawings is included for the purpose of illustrating use and environment and forms no part of the claimed design.

1 Claim, 9 Drawing Sheets

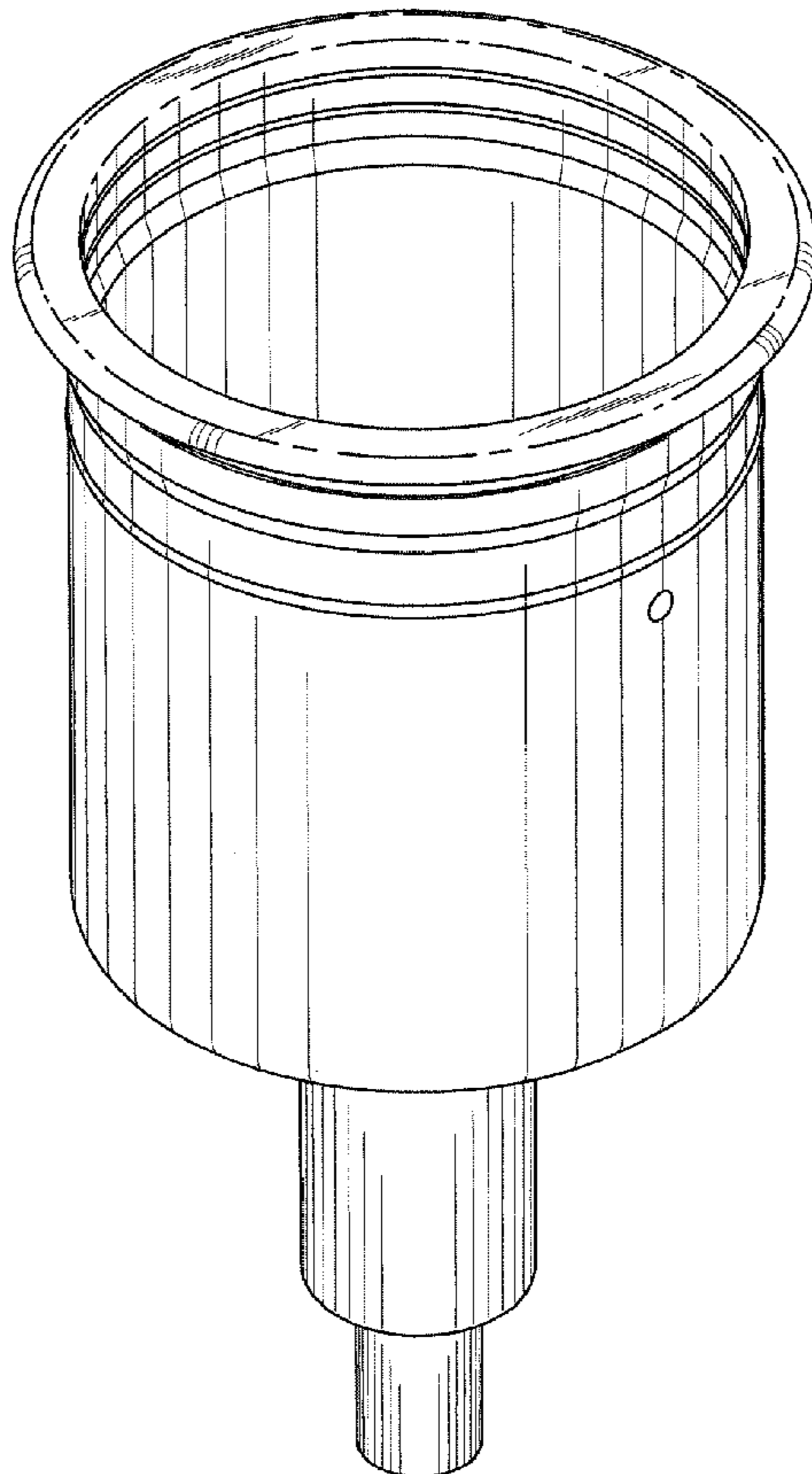


FIG. 1

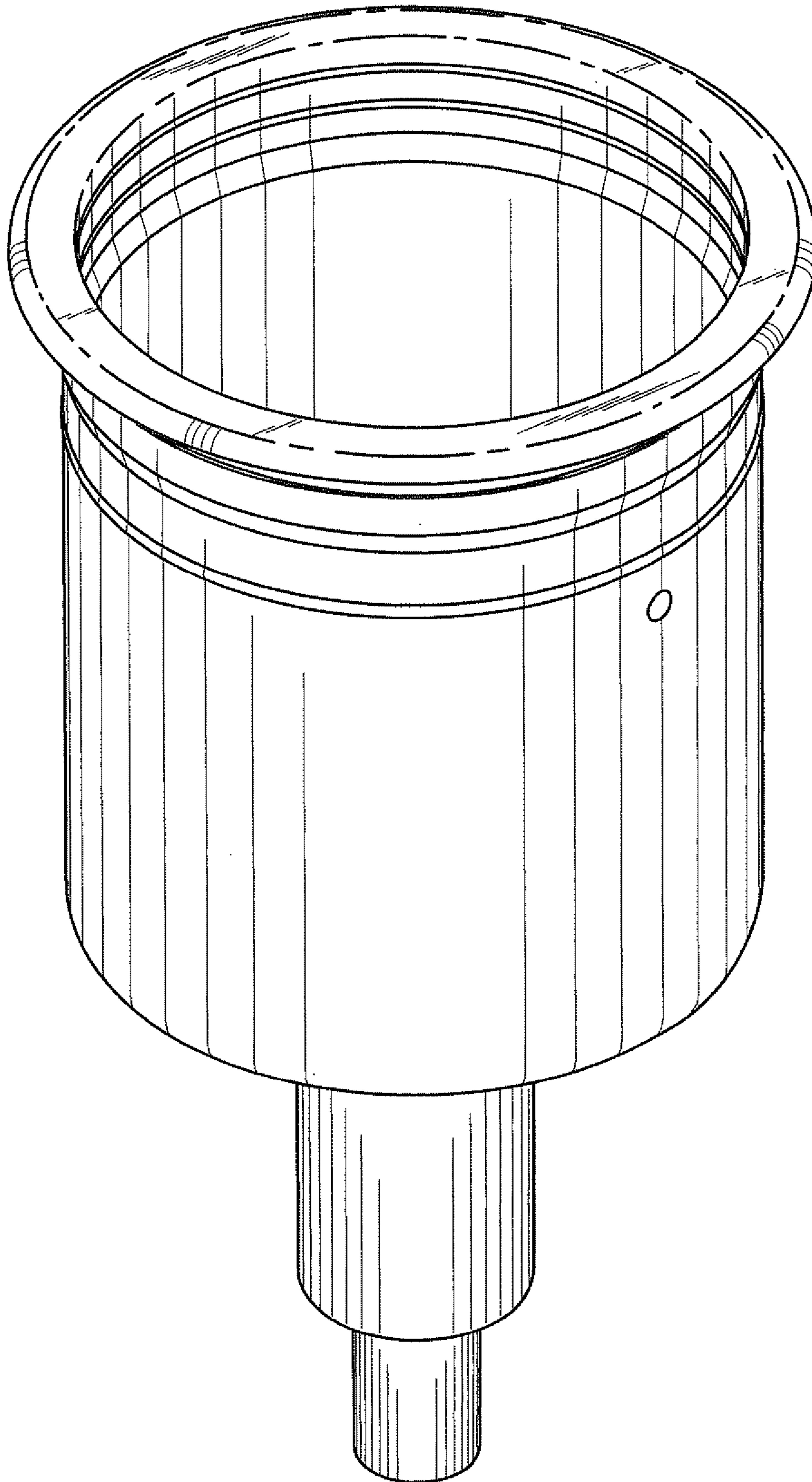


FIG. 2

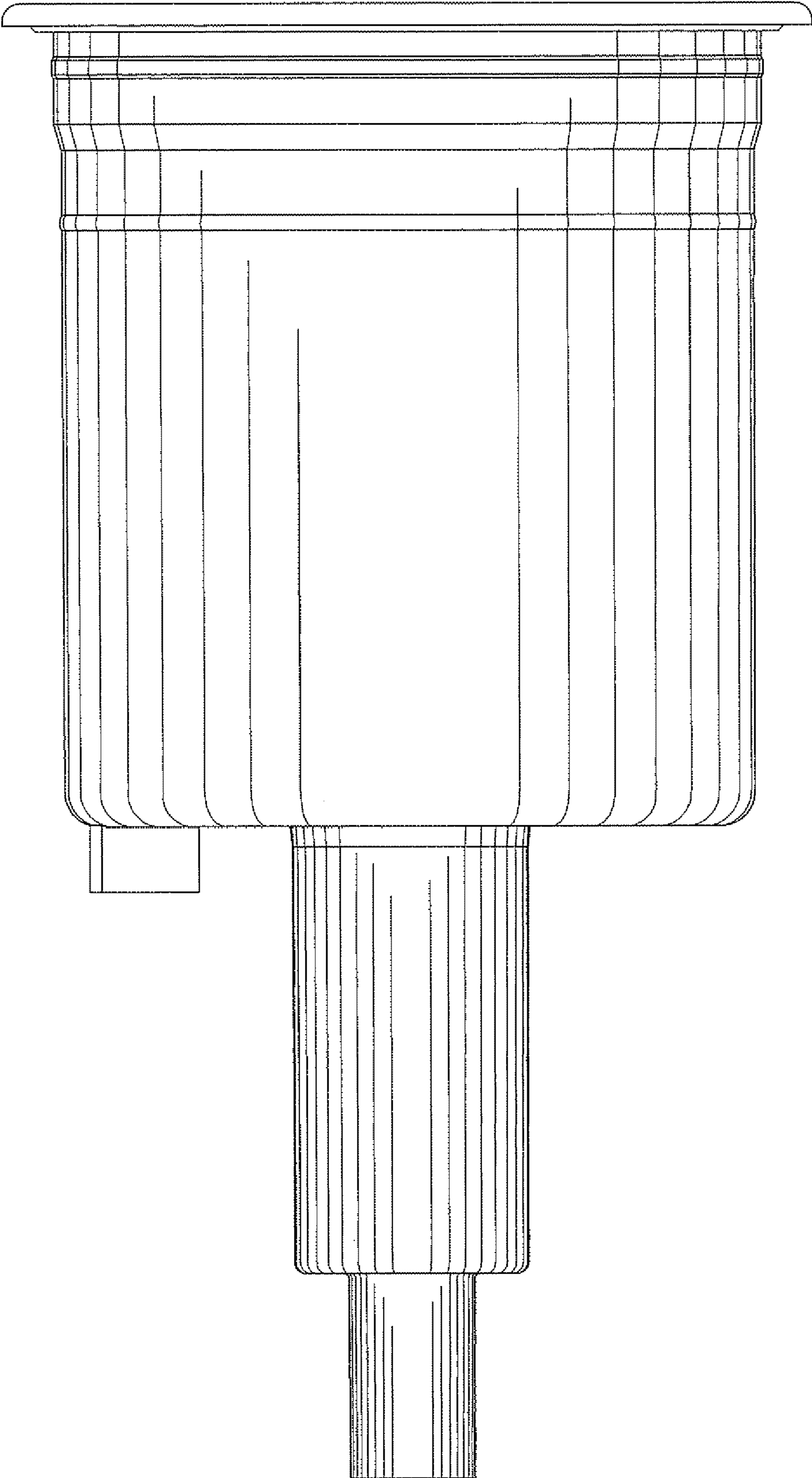


FIG.3

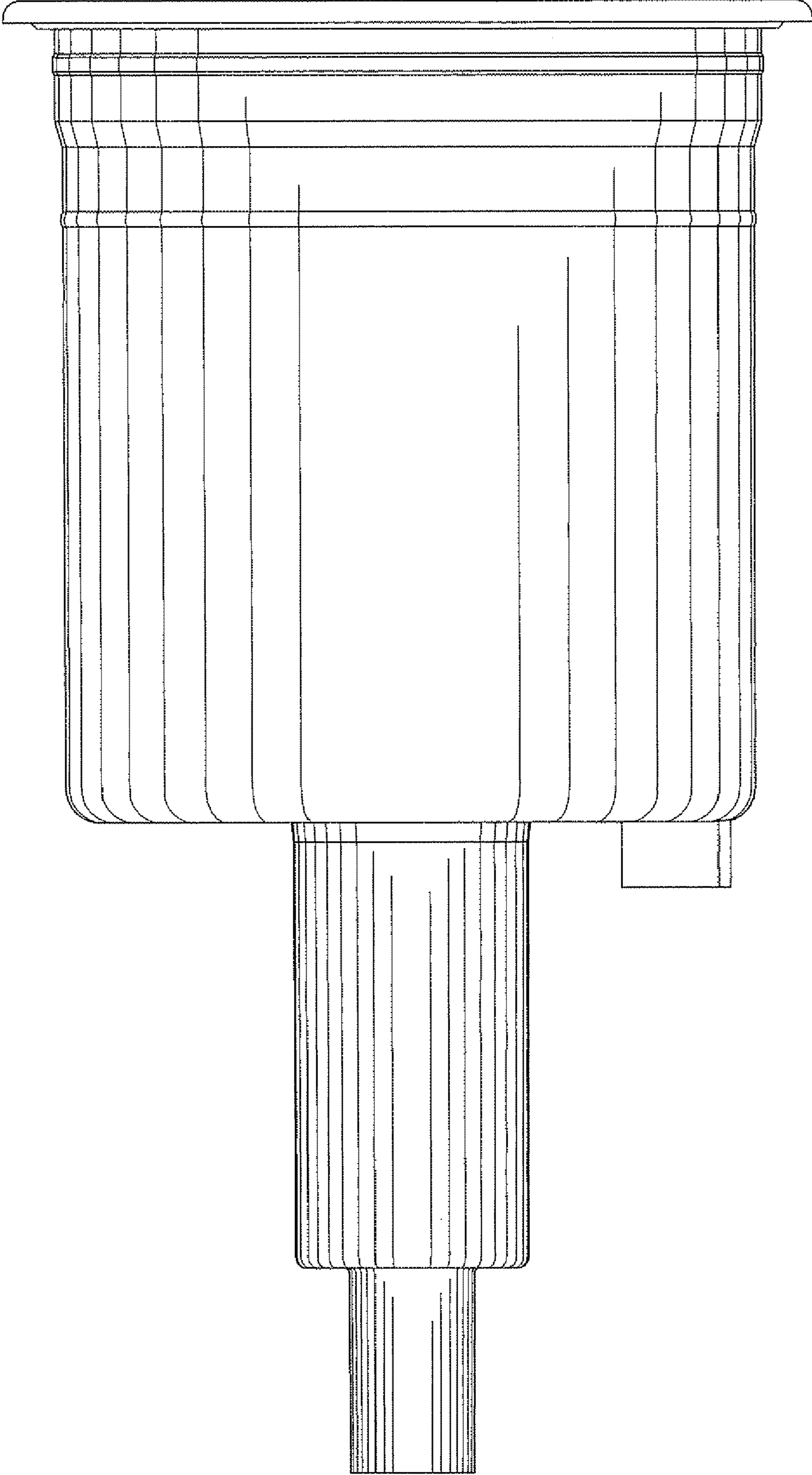


FIG. 4

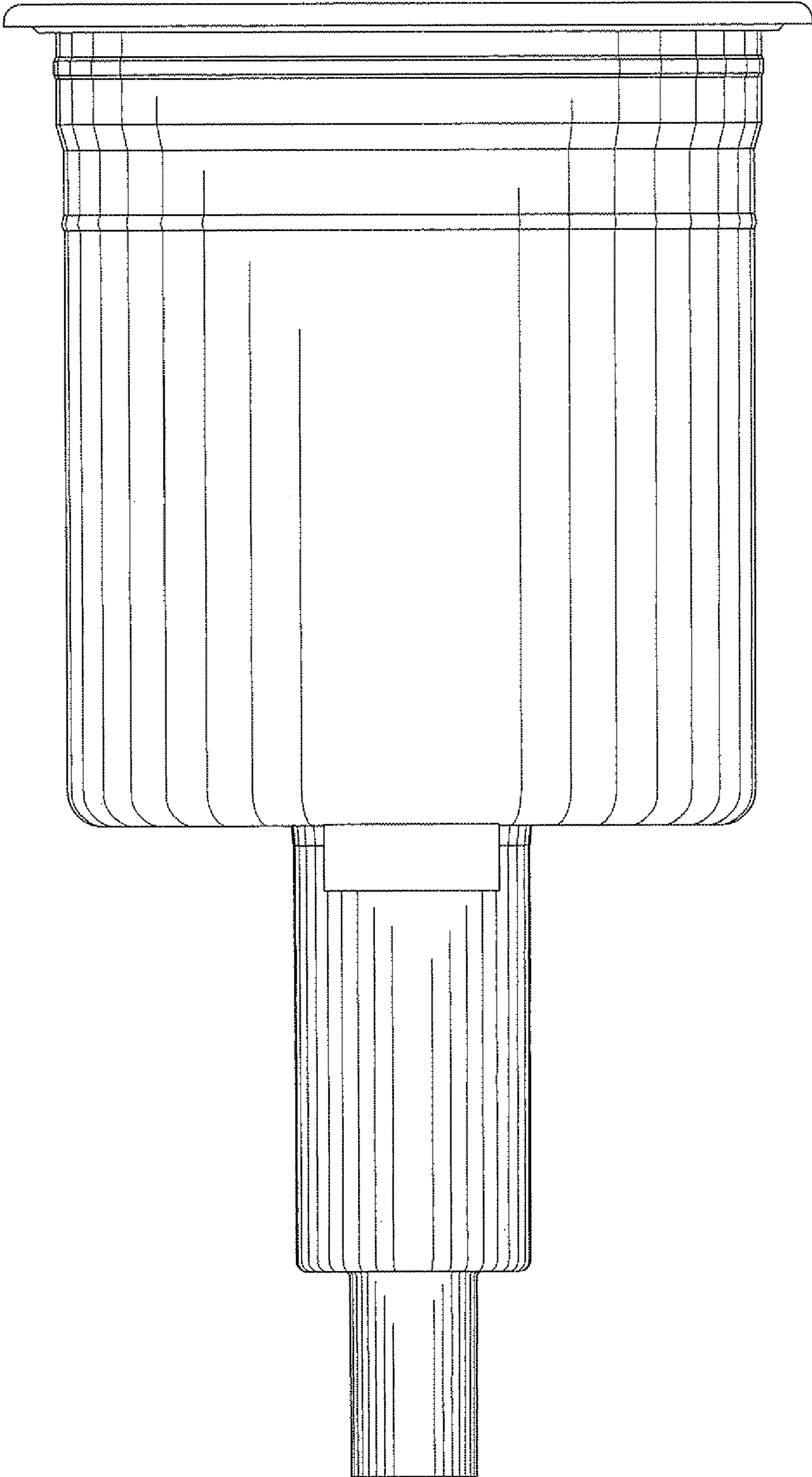


FIG.5

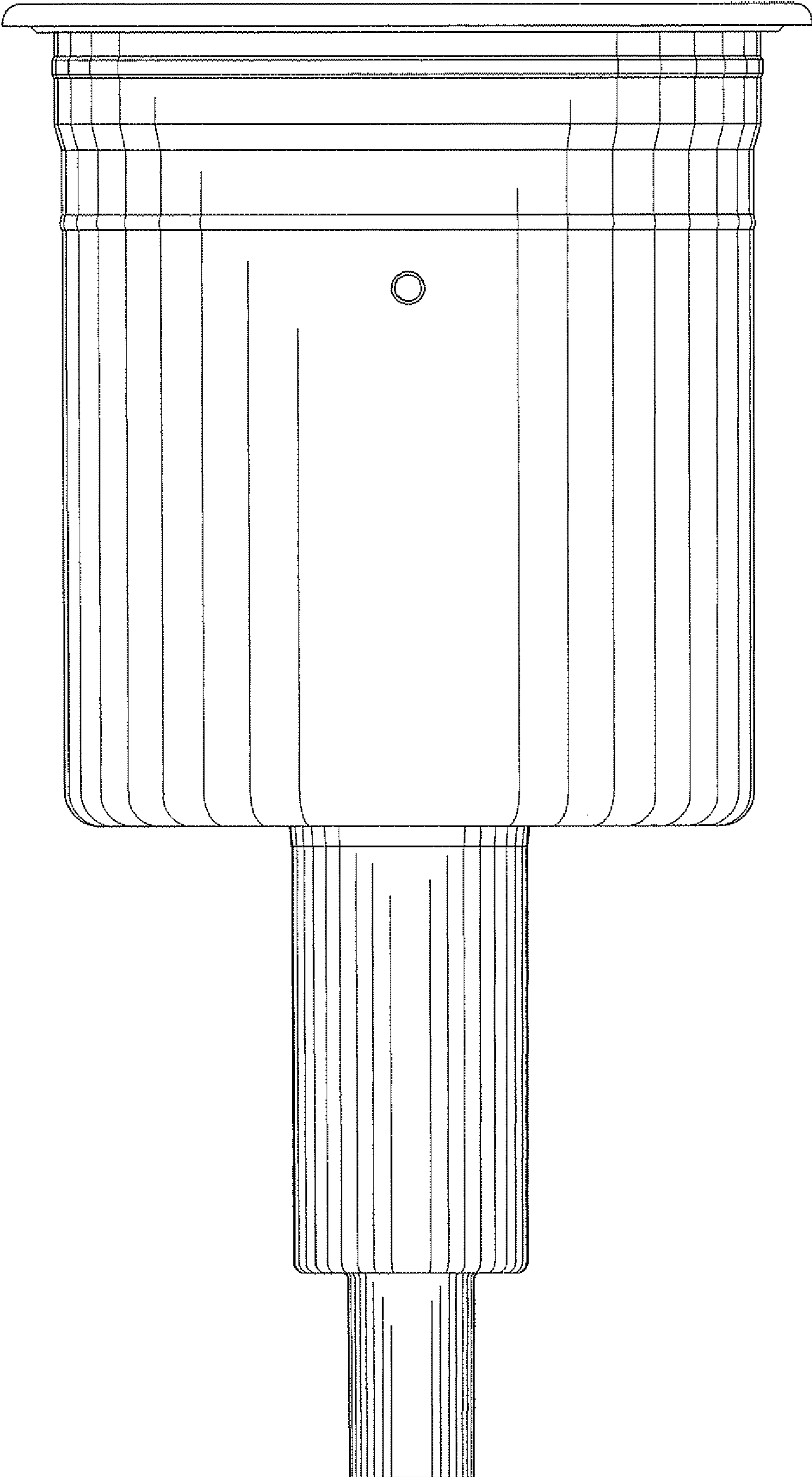


FIG.6

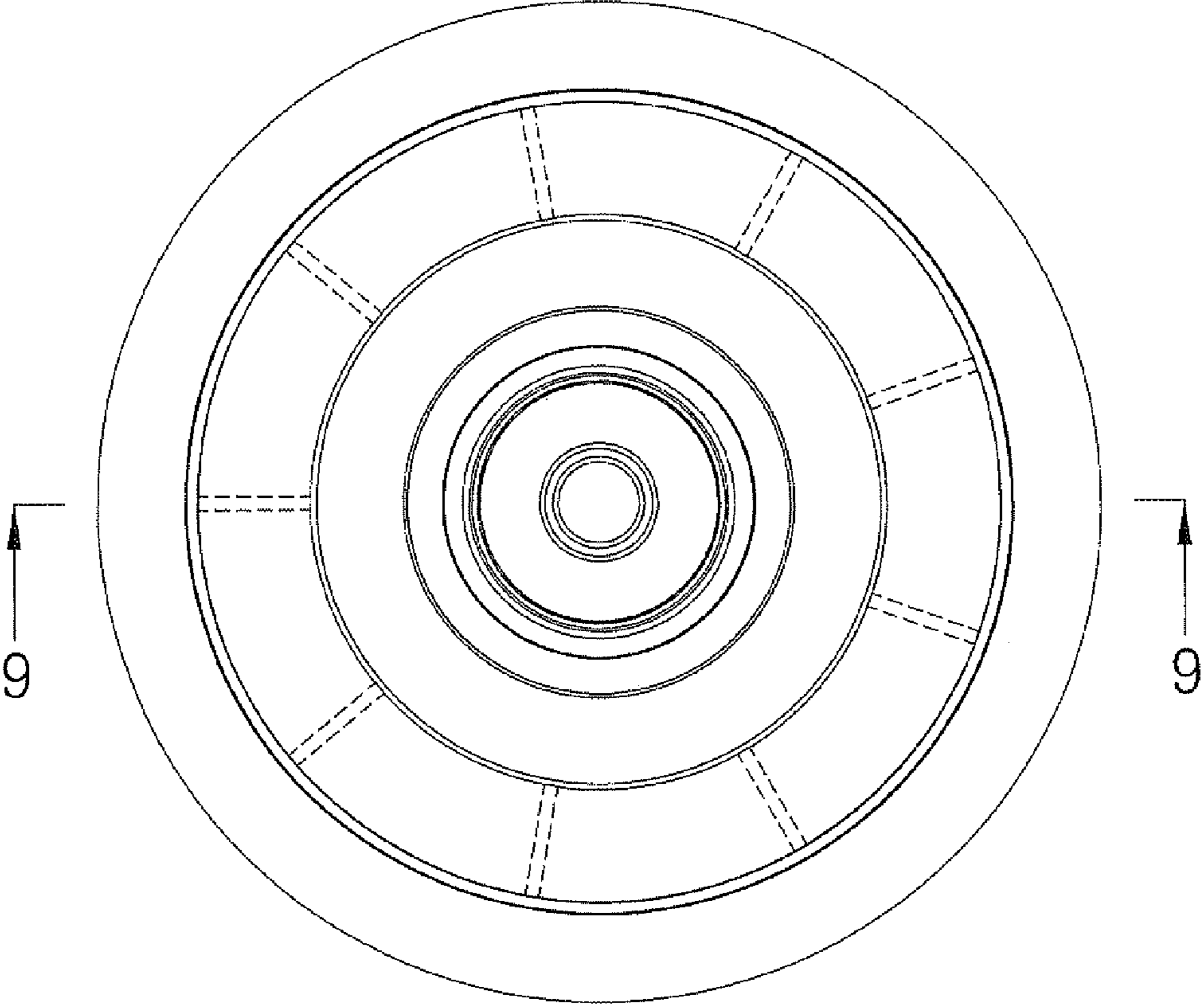


FIG.7

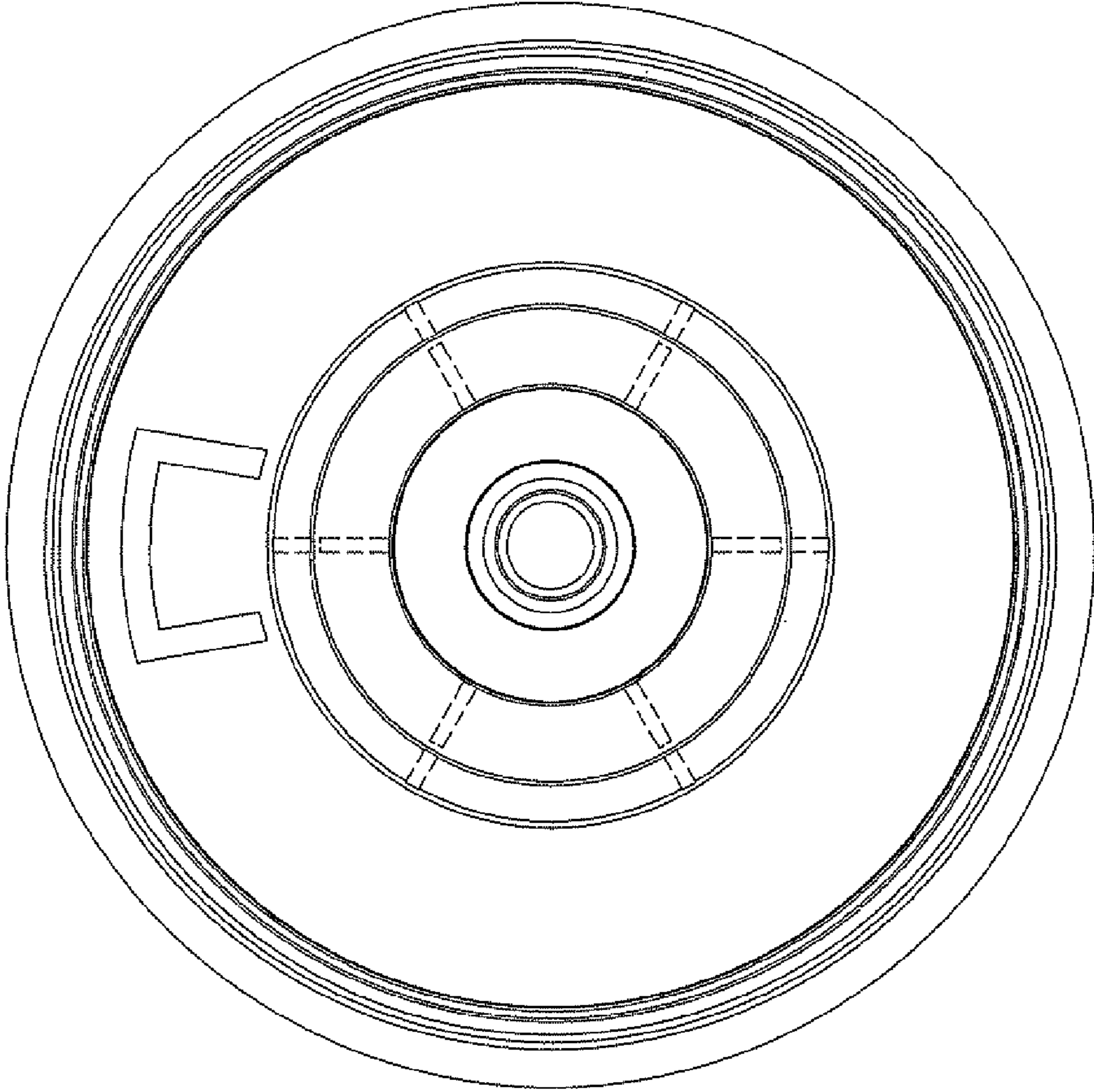


FIG. 8

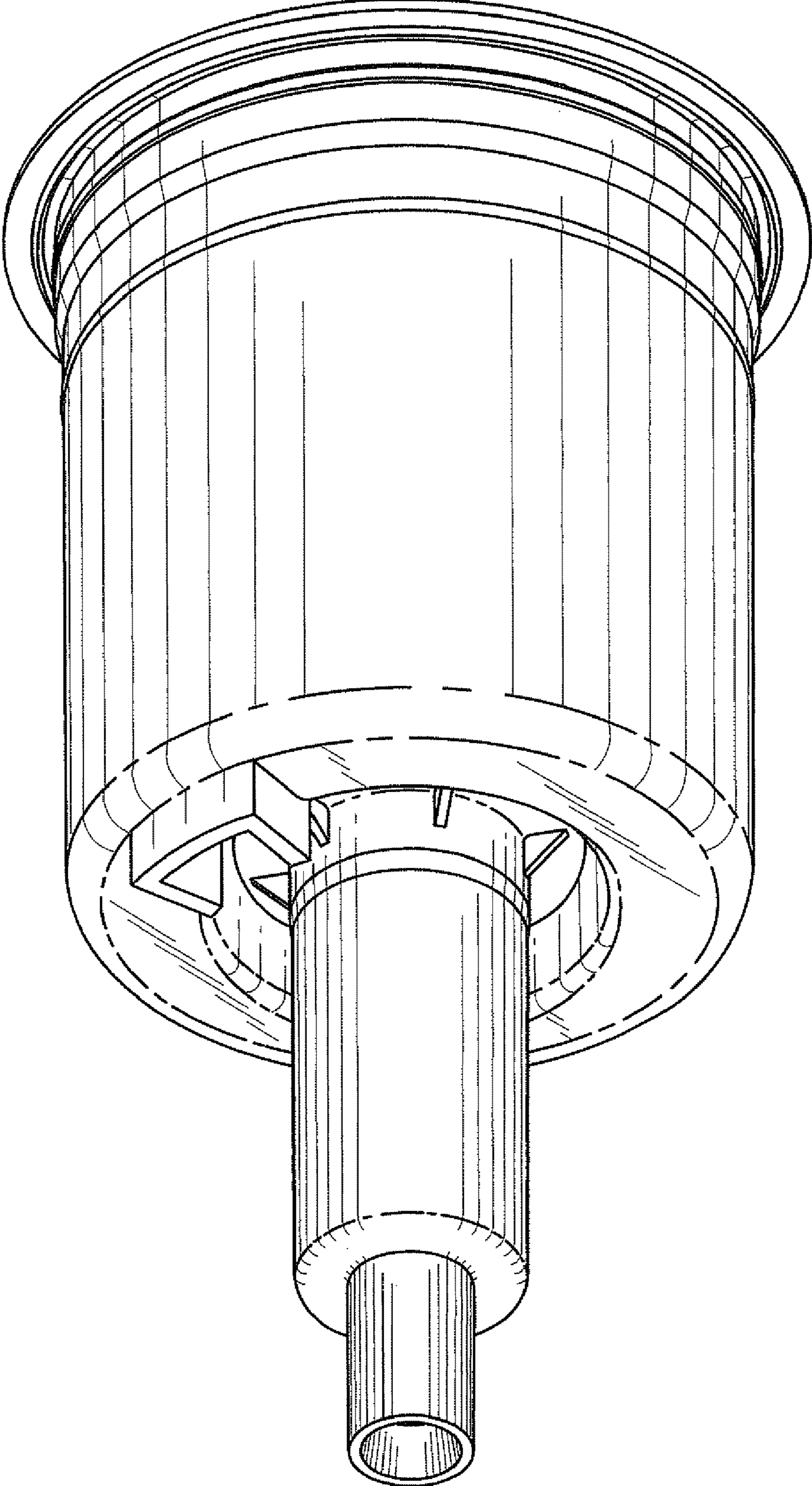


FIG. 9

