



US00D638131S

(12) **United States Design Patent**
Buckels et al.

(10) **Patent No.:** **US D638,131 S**
(45) **Date of Patent:** **** May 17, 2011**

(54) **NEUROSTIMULATION ELECTRODE**
(75) Inventors: **Jazzmyne Buckels**, Frisco, TX (US);
Tommy Cushing, Prosper, TX (US);
Stephen L. Goldman, Frisco, TX (US);
Claudio A. Feler, Memphis, TN (US)
(73) Assignee: **Advanced Neuromedulation Systems,**
Inc., Plano, TX (US)

D609,353 S * 2/2010 Cryan D24/187
D621,953 S * 8/2010 Peifer D24/232
D629,527 S * 12/2010 Crunkilton D24/187

* cited by examiner

Primary Examiner — T. Chase Nelson
Assistant Examiner — Mark Cavanna

(74) *Attorney, Agent, or Firm* — Craig Hoersten; Melissa Acosta; Peter Lando

(**) Term: **14 Years**
(21) Appl. No.: **29/369,442**

(57) **CLAIM**

The ornamental design for a neurostimulation electrode, as shown and described.

(22) Filed: **Sep. 8, 2010**
(51) **LOC (9) Cl.** **24-01**
(52) **U.S. Cl.** **D24/187**
(58) **Field of Classification Search** D24/129,
D24/138, 144, 155, 156, 167, 186–187, 200,
D24/231–232; 606/70–71, 166, 246–249,
606/258, 267, 280, 286, 283, 299, 396, 903,
606/905–906; 607/2, 5, 36, 129; 623/17.11,
623/16.71

DESCRIPTION

FIG. 1 illustrates a top perspective view of a neurostimulation electrode, showing our new design; FIG. 2 illustrates a top view thereof; FIG. 3 illustrates a cross sectional view, taken along line 3—3 of FIG. 2, thereof; FIG. 4 illustrates a left end view thereof, the right end view being identical; FIG. 5 illustrates a front elevational view thereof; FIG. 6 illustrates a rear elevational view thereof; and, FIG. 7 illustrates a bottom view thereof.

See application file for complete search history.

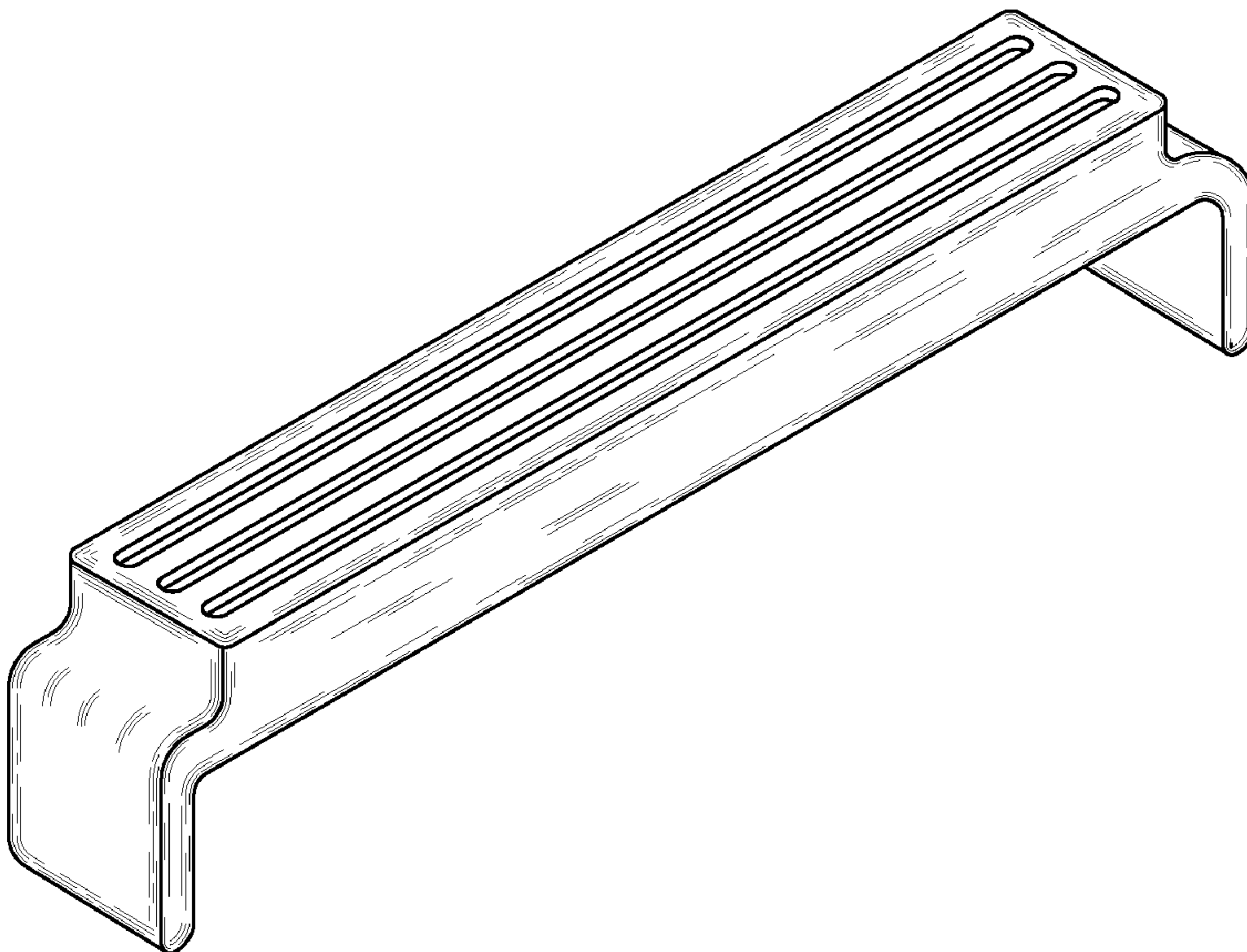
Although references to the drawings have been made with respect to perspective, top, right end, left end, front elevational, rear elevational and bottom, it shall be appreciated that the forgoing orientations are used for reference purposes only and the model of the present invention may be disposed in any orientation.

(56) **References Cited**

U.S. PATENT DOCUMENTS

D481,125 S * 10/2003 Hayamizu D24/129
D564,659 S * 3/2008 Hayashi D24/138
D564,660 S * 3/2008 Hayashi D24/138
D585,556 S * 1/2009 Kosaku D24/186
D598,114 S * 8/2009 Cryan D24/187

1 Claim, 2 Drawing Sheets



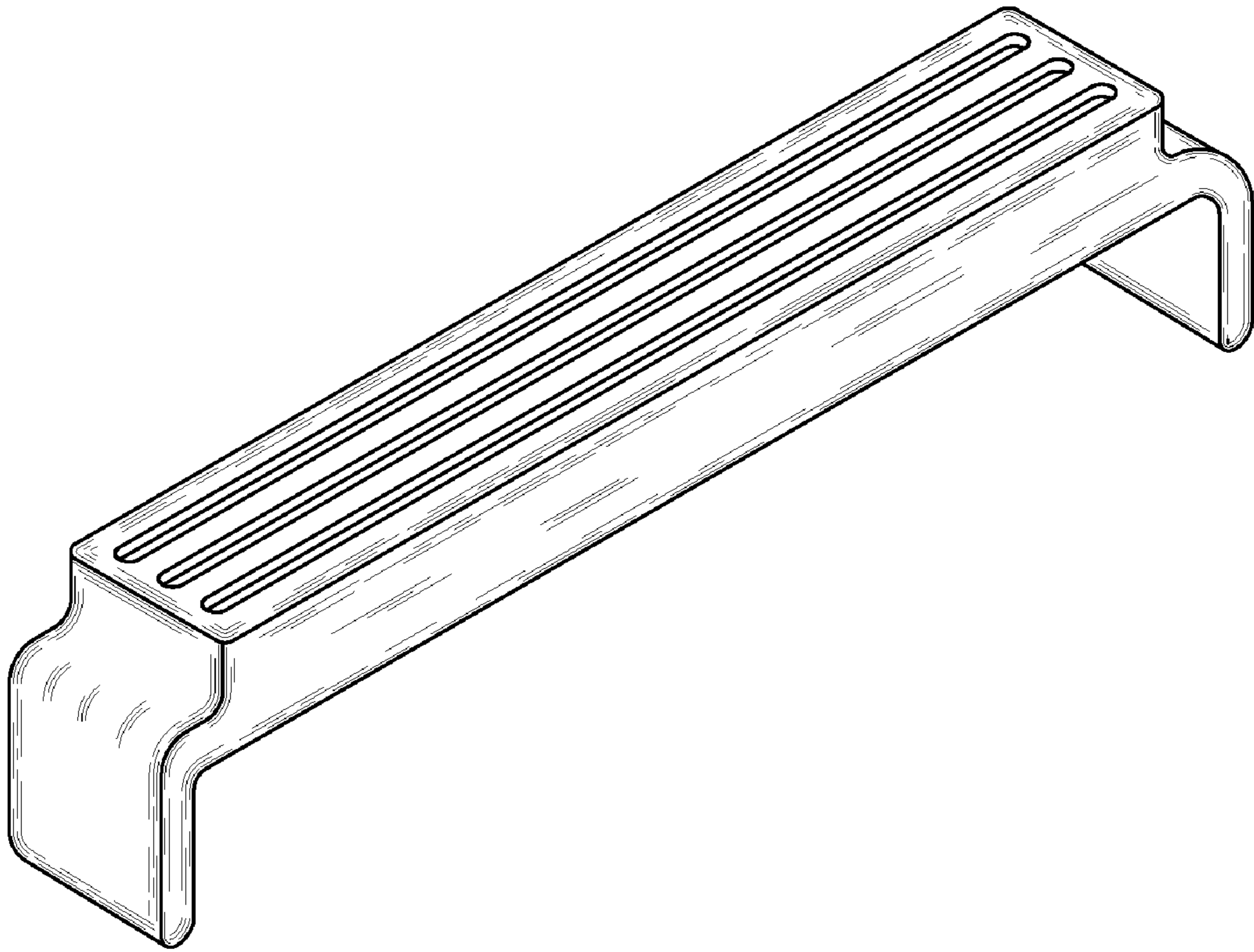


FIG. 1

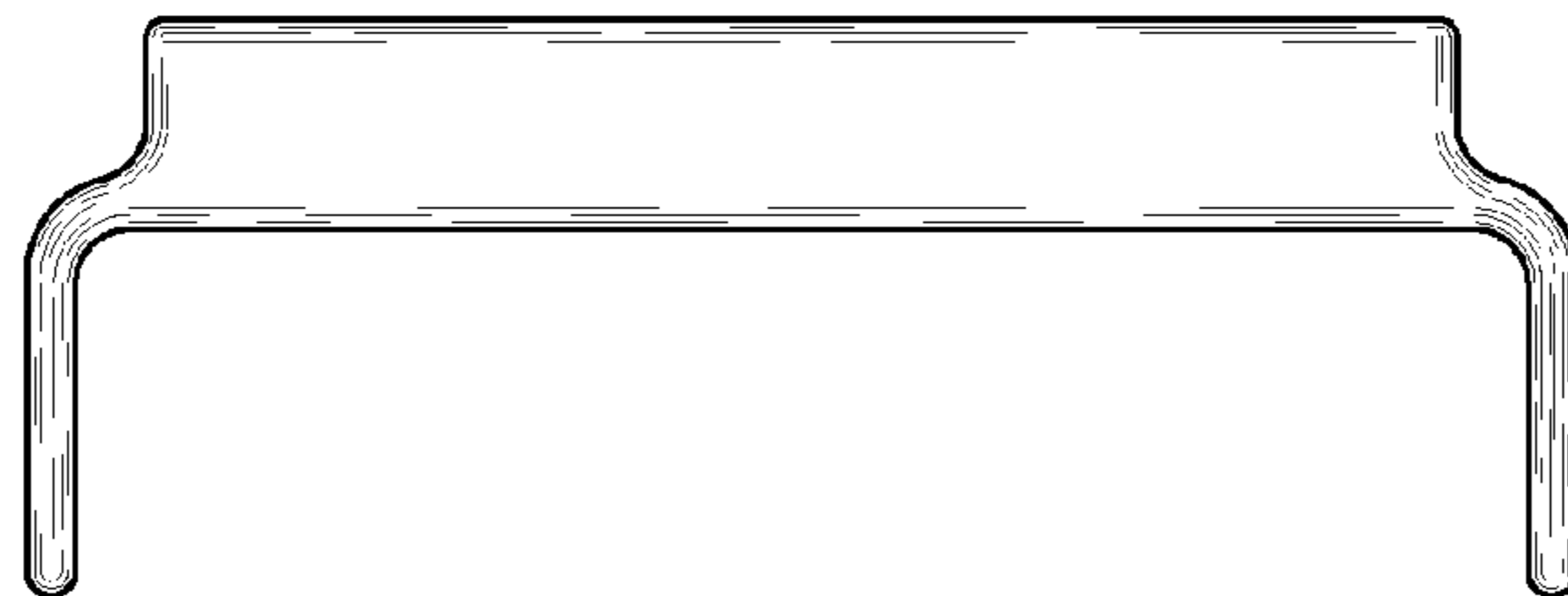


FIG. 5

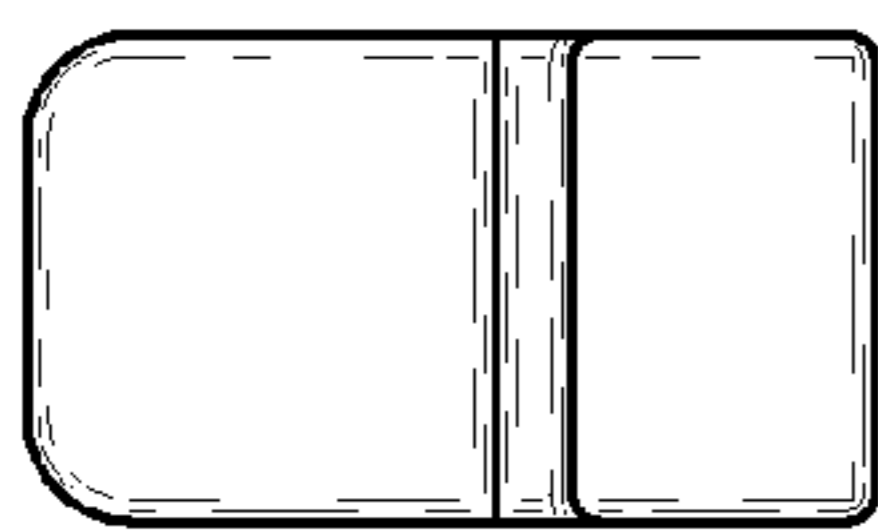


FIG. 4

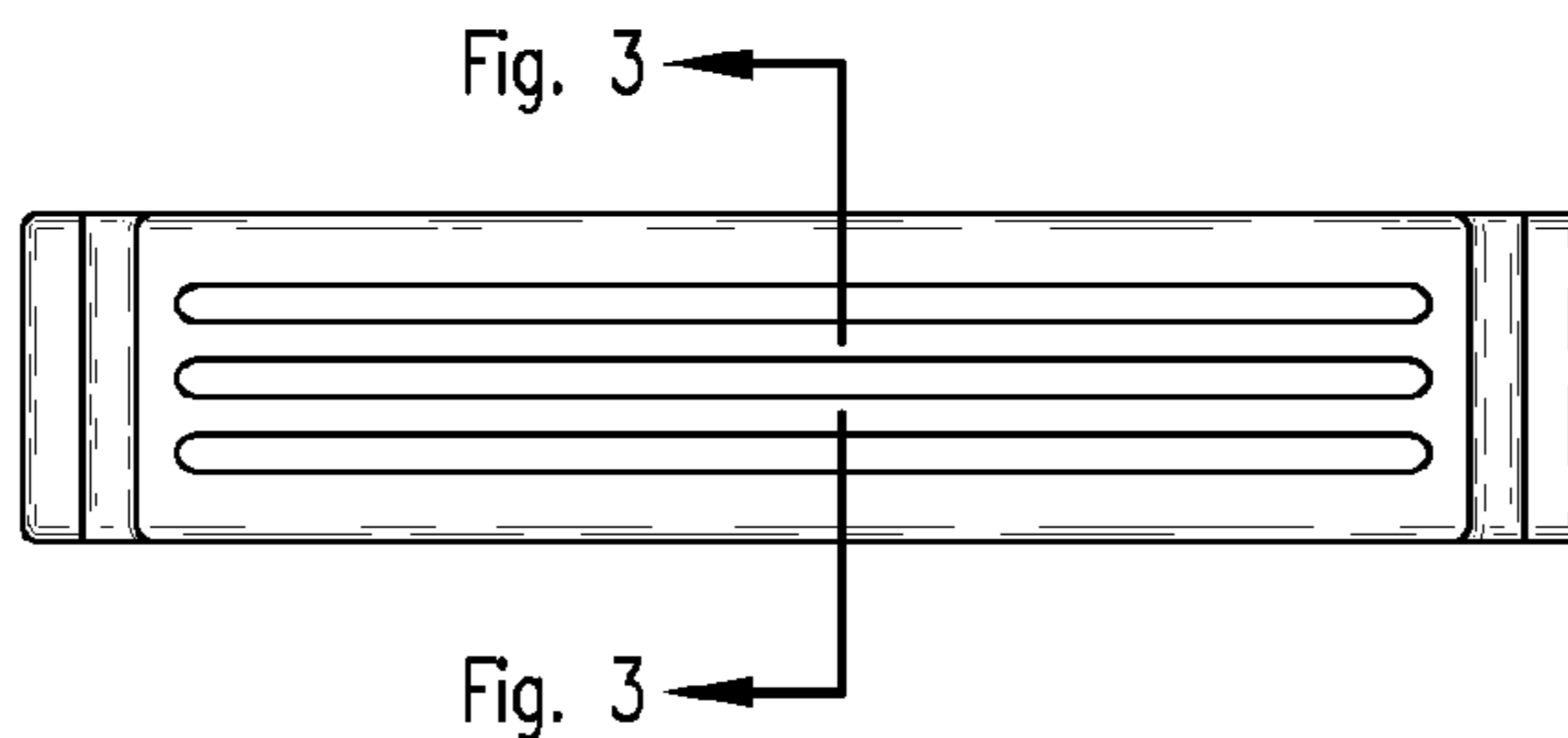


FIG. 2

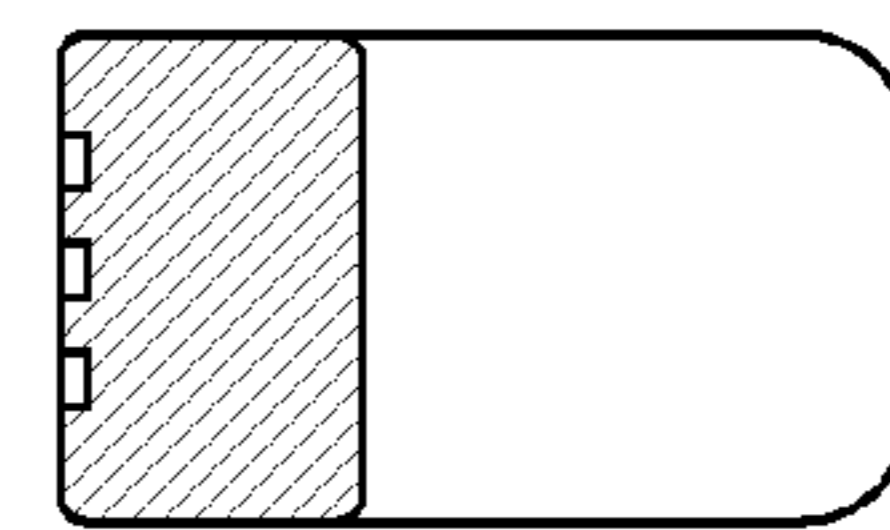


FIG. 3

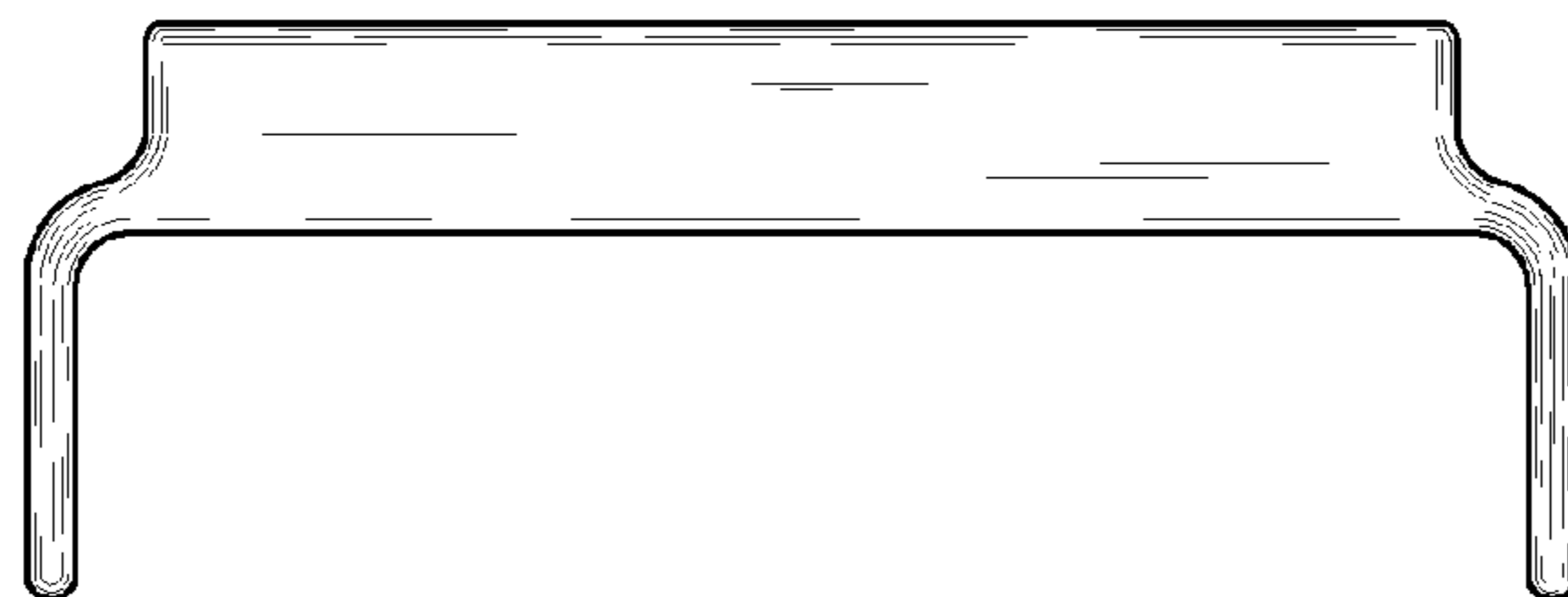


FIG. 6



FIG. 7

UNITED STATES PATENT AND TRADEMARK OFFICE
CERTIFICATE OF CORRECTION

PATENT NO. : D638,131 S
APPLICATION NO. : 29/369442
DATED : May 17, 2011
INVENTOR(S) : Jazzmyne Buckels et al.

Page 1 of 1

It is certified that error appears in the above-identified patent and that said Letters Patent is hereby corrected as shown below:

Title Page, Item (73), "Neuromedulation" to read as --Neuromodulation--

Signed and Sealed this
Fourth Day of December, 2012

A handwritten signature in black ink that reads "David J. Kappos". The signature is written in a cursive, slightly slanted style.

David J. Kappos
Director of the United States Patent and Trademark Office