

US00D638128S

(12) **United States Design Patent**  
**Prokop et al.**

(10) **Patent No.:** **US D638,128 S**

(45) **Date of Patent:** **\*\* \*May 17, 2011**

(54) **OCULAR DEVICE DESIGN**

D352,106 S \* 11/1994 Fanney et al. .... D24/185  
5,368,582 A 11/1994 Bertera  
5,368,591 A 11/1994 Lennox et al.  
5,425,380 A 6/1995 Hudson et al.

(75) Inventors: **Gary F. Prokop**, Wheaton, IL (US); **Don Lehman**, Chicago, IL (US); **David Chesley**, Duxbury, MA (US); **Joey Nakayama**, Chicago, IL (US); **Keith Gausmann**, Cary, NC (US); **Adam Ruggles**, Chicago, IL (US)

(Continued)

**FOREIGN PATENT DOCUMENTS**

CA 2679448 A1 9/2008

(Continued)

(73) Assignee: **TearScience, Inc.**, Morrisville, NC (US)

**OTHER PUBLICATIONS**

(\*\*) Term: **14 Years**

Sullivan, David et al., "Do Sex Steroids Exert Sex-Specific and/or Opposite Effects on Gene Expression in Lacrimal and Meibomian Glands?" *Molecular Vision*, vol. 15, No. 166, Aug. 10, 2009, pp. 1553-1572.

(21) Appl. No.: **29/344,914**

(Continued)

(22) Filed: **Oct. 6, 2009**

(51) **LOC (9) Cl.** ..... **24-01**

(52) **U.S. Cl.** ..... **D24/172**

(58) **Field of Classification Search** ..... D24/172,  
D24/185, 186; D14/126, 371, 375, 376,  
D14/382; 351/209 -212, 206

See application file for complete search history.

*Primary Examiner* — T. Chase Nelson

*Assistant Examiner* — Anhdao Doan

(74) *Attorney, Agent, or Firm* — Withrow & Terranova, PLLC

(56) **References Cited**

(57) **CLAIM**

The ornamental design for an ocular device design, as shown and described.

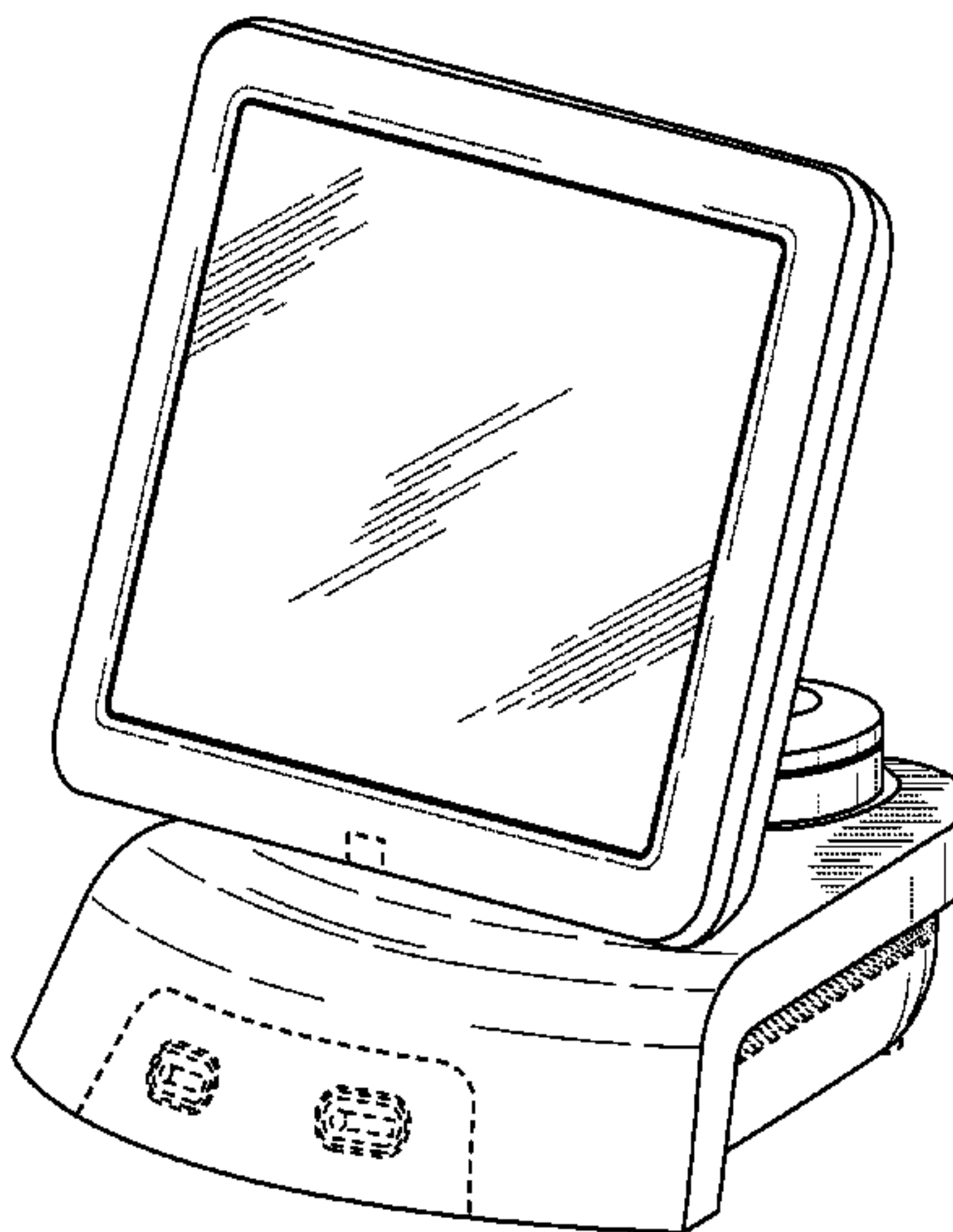
**U.S. PATENT DOCUMENTS**

**DESCRIPTION**

|             |         |                 |
|-------------|---------|-----------------|
| 1,006,945 A | 10/1911 | Houston         |
| 1,924,315 A | 8/1933  | Hemphill et al. |
| 2,891,252 A | 6/1959  | Lazo            |
| 3,333,586 A | 8/1967  | Bellis et al.   |
| 3,404,678 A | 10/1968 | Von Ardenne     |
| 3,667,476 A | 6/1972  | Muller          |
| 4,261,364 A | 4/1981  | Haddad et al.   |
| 4,778,457 A | 10/1988 | York            |
| 4,883,454 A | 11/1989 | Hamburg         |
| 4,914,088 A | 4/1990  | Glonek et al.   |
| 4,955,377 A | 9/1990  | Lennox et al.   |
| 4,958,632 A | 9/1990  | Duggan          |
| 5,030,214 A | 7/1991  | Spector         |
| 5,151,100 A | 9/1992  | Abele et al.    |
| 5,158,082 A | 10/1992 | Jones           |
| 5,213,097 A | 5/1993  | Zeindler        |
| 5,251,627 A | 10/1993 | Morris          |
| 5,283,063 A | 2/1994  | Freeman         |
| 5,343,561 A | 9/1994  | Adamo           |

FIG. 1 is a front perspective view of an ocular device design according to our design;  
FIG. 2 is a rear perspective view thereof;  
FIG. 3 is a front view thereof;  
FIG. 4 is a rear view thereof;  
FIG. 5 is a left side view thereof, the right side view being a mirror image;  
FIG. 6 is a top view thereof; and,  
FIG. 7 is a bottom side view thereof.  
The broken lines in the drawing figures are included for the purpose of illustrating portions of the ocular device that form no part of the claimed design.

**1 Claim, 7 Drawing Sheets**





U.S. PATENT DOCUMENTS

|              |      |         |                        |         |
|--------------|------|---------|------------------------|---------|
| 5,496,311    | A    | 3/1996  | Abele et al.           |         |
| 5,601,548    | A    | 2/1997  | Smith et al.           |         |
| 5,643,336    | A    | 7/1997  | Lopez-Claros           |         |
| 5,700,238    | A    | 12/1997 | Hyson                  |         |
| 5,720,773    | A    | 2/1998  | Lopez-Claros           |         |
| 5,807,357    | A    | 9/1998  | Kang                   |         |
| 5,836,927    | A    | 11/1998 | Fried                  |         |
| 5,958,912    | A    | 9/1999  | Sullivan               |         |
| 5,964,723    | A    | 10/1999 | Augustine              |         |
| 6,024,095    | A    | 2/2000  | Stanley, III           |         |
| 6,107,289    | A    | 8/2000  | Sullivan               |         |
| 6,110,292    | A    | 8/2000  | Jewett et al.          |         |
| 6,112,900    | A    | 9/2000  | Adkins, Jr.            |         |
| 6,113,561    | A    | 9/2000  | Augustine              |         |
| 6,153,607    | A    | 11/2000 | Pflugfelder et al.     |         |
| 6,155,995    | A    | 12/2000 | Lin                    |         |
| 6,181,970    | B1   | 1/2001  | Kasevich               |         |
| 6,193,740    | B1   | 2/2001  | Rodriguez              |         |
| 6,206,842    | B1   | 3/2001  | Tu et al.              |         |
| 6,213,966    | B1   | 4/2001  | Augustine              |         |
| 6,273,886    | B1   | 8/2001  | Edwards et al.         |         |
| D456,079     | S *  | 4/2002  | Fujii .....            | D24/172 |
| 6,423,018    | B1   | 7/2002  | Augustine              |         |
| 6,425,888    | B1   | 7/2002  | Embleton et al.        |         |
| 6,438,398    | B1   | 8/2002  | Pflugfelder et al.     |         |
| 6,455,583    | B1   | 9/2002  | Pflugfelder et al.     |         |
| 6,482,203    | B2   | 11/2002 | Paddock et al.         |         |
| 6,490,488    | B1   | 12/2002 | Rudie et al.           |         |
| D472,637     | S *  | 4/2003  | Cooper et al. ....     | D24/172 |
| 6,544,257    | B2   | 4/2003  | Nagase et al.          |         |
| D477,084     | S *  | 7/2003  | Menezes et al. ....    | D24/172 |
| 6,641,264    | B1   | 11/2003 | Schwebel               |         |
| 6,788,977    | B2   | 9/2004  | Fenn et al.            |         |
| 6,827,898    | B1   | 12/2004 | Fausset et al.         |         |
| 6,840,954    | B2   | 1/2005  | Dietz et al.           |         |
| 6,860,852    | B2   | 3/2005  | Schonenberger et al.   |         |
| 6,860,880    | B2   | 3/2005  | Treat et al.           |         |
| 6,874,884    | B2   | 4/2005  | Schwebel               |         |
| 6,882,885    | B2   | 4/2005  | Levy, Jr. et al.       |         |
| 6,886,933    | B2   | 5/2005  | Schwebel               |         |
| 6,908,195    | B2   | 6/2005  | Fuller                 |         |
| 6,925,317    | B1   | 8/2005  | Samuels et al.         |         |
| 6,974,454    | B2   | 12/2005 | Hooven                 |         |
| 7,001,379    | B2   | 2/2006  | Behl et al.            |         |
| 7,004,942    | B2   | 2/2006  | Laird et al.           |         |
| 7,036,928    | B2   | 5/2006  | Schwebel               |         |
| 7,069,084    | B2   | 6/2006  | Yee                    |         |
| 7,108,694    | B2   | 9/2006  | Miura et al.           |         |
| 7,118,591    | B2   | 10/2006 | Frank et al.           |         |
| 7,123,968    | B1   | 10/2006 | Casscells, III et al.  |         |
| 7,211,070    | B2   | 5/2007  | Soroudi                |         |
| 7,231,922    | B2   | 6/2007  | Davison et al.         |         |
| D546,459     | S *  | 7/2007  | Banryu .....           | D24/186 |
| D552,736     | S *  | 10/2007 | Yamaoka .....          | D24/172 |
| D553,750     | S *  | 10/2007 | Yamaoka .....          | D24/172 |
| 7,357,500    | B2   | 4/2008  | Schwebel               |         |
| 7,442,174    | B2   | 10/2008 | Butler                 |         |
| 7,513,893    | B2   | 4/2009  | Soroudi                |         |
| 7,594,728    | B2 * | 9/2009  | Seal et al. ....       | 351/210 |
| D612,941     | S *  | 3/2010  | Youngquist et al. .... | D24/172 |
| D614,774     | S *  | 4/2010  | Gausmann et al. ....   | D24/172 |
| 7,712,899    | B2 * | 5/2010  | Tanassi et al. ....    | 351/206 |
| 2001/0041886 | A1   | 11/2001 | Durkin et al.          |         |
| 2002/0035345 | A1   | 3/2002  | Beck                   |         |
| 2002/0099094 | A1   | 7/2002  | Anderson               |         |
| 2002/0111608 | A1   | 8/2002  | Baerveldt et al.       |         |
| 2002/0128696 | A1   | 9/2002  | Pearl et al.           |         |
| 2003/0056281 | A1   | 3/2003  | Hasegawa               |         |
| 2003/0065277 | A1   | 4/2003  | Covington              |         |
| 2003/0114426 | A1   | 6/2003  | Pflugfelder et al.     |         |
| 2003/0139790 | A1   | 7/2003  | Ingle et al.           |         |
| 2003/0195438 | A1   | 10/2003 | Petillo                |         |
| 2003/0211043 | A1   | 11/2003 | Korb                   |         |
| 2003/0233135 | A1   | 12/2003 | Yee                    |         |
| 2004/0064169 | A1   | 4/2004  | Briscoe et al.         |         |
| 2004/0064171 | A1   | 4/2004  | Briscoe et al.         |         |
| 2004/0076695 | A1   | 4/2004  | Gilbard                |         |
| 2004/0111138 | A1   | 6/2004  | Bleam et al.           |         |

|              |    |         |                    |
|--------------|----|---------|--------------------|
| 2004/0153093 | A1 | 8/2004  | Donovan            |
| 2004/0237969 | A1 | 12/2004 | Fuller             |
| 2004/0249427 | A1 | 12/2004 | Nabils             |
| 2005/0022823 | A1 | 2/2005  | Davison et al.     |
| 2005/0119629 | A1 | 6/2005  | Soroudi            |
| 2005/0143798 | A1 | 6/2005  | Bleam et al.       |
| 2005/0220742 | A1 | 10/2005 | Breen              |
| 2006/0018953 | A1 | 1/2006  | Guillon et al.     |
| 2006/0030604 | A1 | 2/2006  | Elsinger et al.    |
| 2006/0055878 | A1 | 3/2006  | Yee                |
| 2006/0104914 | A1 | 5/2006  | Soroudi            |
| 2006/0139569 | A1 | 6/2006  | Schwebel           |
| 2006/0154901 | A1 | 7/2006  | Pflugfelder et al. |
| 2006/0157064 | A1 | 7/2006  | Davison et al.     |
| 2006/0183698 | A1 | 8/2006  | Abelson            |
| 2006/0233859 | A1 | 10/2006 | Whitcup et al.     |
| 2007/0016256 | A1 | 1/2007  | Korb et al.        |
| 2007/0049913 | A1 | 3/2007  | Grenon et al.      |
| 2007/0173799 | A1 | 7/2007  | Hsia               |
| 2007/0203462 | A1 | 8/2007  | Soroudi            |
| 2007/0280924 | A1 | 12/2007 | Daniels et al.     |
| 2008/0051741 | A1 | 2/2008  | Grenon et al.      |
| 2008/0075787 | A1 | 3/2008  | Hibino             |
| 2008/0132973 | A1 | 6/2008  | Lord et al.        |
| 2009/0043365 | A1 | 2/2009  | Friedland et al.   |
| 2009/0137533 | A1 | 5/2009  | Adkins, Jr.        |
| 2009/0306111 | A1 | 12/2009 | Nakamura et al.    |
| 2010/0100029 | A1 | 4/2010  | Maskin             |
| 2010/0292630 | A1 | 11/2010 | Maskin             |

FOREIGN PATENT DOCUMENTS

|    |              |    |         |
|----|--------------|----|---------|
| DE | 202005011496 | U1 | 7/2006  |
| EP | 2151438      | A1 | 2/2010  |
| EP | 1587468      | B1 | 1/2011  |
| JP | 06269473     | A  | 9/1994  |
| JP | 11221247     |    | 8/1999  |
| JP | 2002078727   |    | 3/2002  |
| JP | 2006198249   |    | 8/2006  |
| JP | 2010155012   | A  | 7/2010  |
| WO | 9958131      |    | 11/1999 |
| WO | 2004041134   | A1 | 5/2004  |
| WO | 2008024100   | A2 | 2/2008  |
| WO | 2008106228   | A2 | 9/2008  |
| WO | 2009064834   | A2 | 5/2009  |

OTHER PUBLICATIONS

Paugh, Jerry R. et al., "Precorneal Residence Time of Artificial Tears Measured in Dry Eye Subjects," *Optometry and Vision Science*, vol. 85, No. 8, Aug. 2008, pp. 725-731.

Lemp, Michael A. et al., "Blepharitis in the United States 2009: A Survey-Based Perspective on Prevalence and Treatment." *Ocul. Surf.*, vol. 7, No. 2 Suppl, Apr. 2009, pp. S1-S14.

Matsumoto, Yukihiro et al., "The Evaluation of the Treatment Response in Obstructive Meibomian Gland Disease by In Vivo Laser Confocal Microscopy," *Graefes Arch Clin Exp Ophthalmol*, vol. 247, No. 6, Jun. 2009, pp. 821-829.

Toyos, Rolando, "Intense Pulsed Light for Dry Eye Syndrome," *Cataract & Refractive Surgery Today*, Apr. 2009, pp. 1-3.

Donnenfeld, Eric et al., "Topical Ophthalmic Cyclosporine: Pharmacology and Clinical Uses," *Survey of Ophthalmology*, vol. 54, No. 3, May/June. 2009, pp. 321-338.

Suzuki, Tomo et al., "Estrogen and Progesterone Control of Gene Expression in the Mouse Meibomian Gland," *Invest. Ophthalmol. Vis. Sci.*, vol. 49, No. 5, Apr. 2008, pp. 1797-1818.

Vasta, Stephanie, "Aggressive Treatments Developed for Meibomian Gland Dysfunction," *Primary Care Optometry News*, Nov. 1, 2009, 3 pages.

"arGentis Licenses Third Treatment for Dry Eye Syndrome" *Business Wire* 5/12/2008.

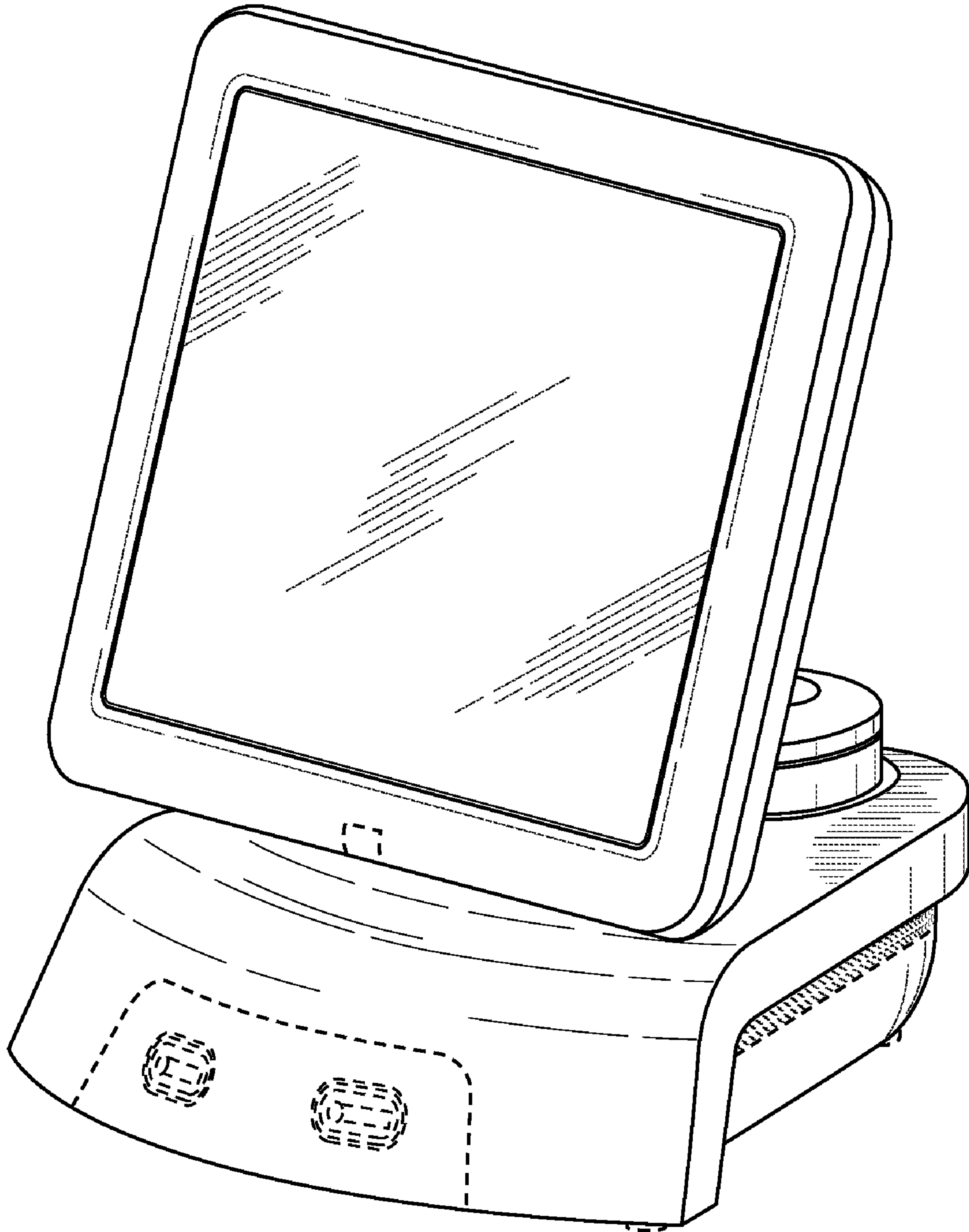
"New Over-the-Counter Dry Eye Drop Now Available to Help Estimated 40 Percent of Americans Who Suffer from Occasional or Chronic Dry Eye" *Business Wire News Release* Mar. 31, 2008.

Aronowicz, JD et al. "Short Term Oral Minocycline Treatment of Meibomiantis," *Br. J. Ophthalmol*, vol. 90, No. 7, Jul. 2006.



- Blackie, Caroline A. et al., "Inner Eyelid Surface Temperature as a Function of Warm Compress Methodology," *Optometry and Vision Science*, vol. 85, No. 8, Aug. 2008, pp. 675-683.
- Blackie, Caroline A. et al., "Recovery Time of an Optimally Secreting Meibomian Gland," *Cornea*, vol. 28, No. 3, Apr. 2009, pp. 293-297.
- Goto, E., et al. "Treatment of Non-Inflamed Obstructive Meibomian Gland Dysfunction by an Infrared Warm Compression Device," *Br. J. Ophthalmology*, vol. 86, pp. 1403-1407, Dec. 2002.
- Goto, Eiki, et al., "Tear Evaporation Dynamics in Normal Subjects and Subjects with Obstructive Meibomian Gland Dysfunction," *Investigative Ophthalmology & Visual Science*, vol. 44, No. 2, pp. 533-539, Feb. 2003.
- Gupta, S. et al. "Docetaxel-Induced Meibomian Duct Inflammation and Blockage Leading to Chalazion Formation," *Prostate Cancer Prostatic Diseases*, vol. 10, No. 4, 2007.
- Kokke, K.H. et al., "Oral Omega-6 Essential Fatty Acid Treatment in Contact Lens Associated Dry Eye," *Contact Lens and Anterior Eye*, vol. 31, No. 3, 2008, pp. 141-146.
- Korb, Donald R. et al., "Increase in Tear Film Lipid Layer Thickness Following Treatment of Meibomian Gland Dysfunction", *Lacrimal Gland, Tear Film & Dry Eye Syndromes*, Plenum Press, 1994, pp. 293-298.
- Korb, Donald R. et al., Slide entitled "Inner Eyelid Surface Temperature as a Function of Warm Compress Methodology," from presentation entitled "The Greatest Anterior Segment Disease and Contact Lens Complications Course," AOA Meeting, Seattle, Washington, Jun. 27, 2008, 2 pages.
- Korb, Donald R., O.D., et al., "Meibomian Gland Dysfunction and Contact Lens Intolerance," *Journal of the American Optometric Association*, vol. 51, No. 3, Mar. 1980, pp. 243-251.
- Korb, Donald R., Slide entitled "Inner Eyelid Surface Temperature as a Function of Warm Compress Methodology," from presentation entitled "The Tear Film and Dry Eye States A Fertile Research Area," University of California at Berkeley, School of Optometry, Apr. 11, 2008. 2 pages.
- Kuscu, Naci Kemal, et al., "Tear Function Changes of Postmenopausal Women in Response to Hormone Replacement Therapy," *Maturitas*, vol. 44, pp. 63-68, 2003.
- Lemp, Michael A., et al., "The Therapeutic Role of Lipids—Managing Ocular Surface Disease," *Supplement to Refractive Eyecare of Ophthalmologists*, vol. 9, No. 6, Jun. 2005.
- Minco "Introducing: Thermofoil Heaters," *Bulletin HS-202*, 9 pages.
- Mitra, M. et al., "Tear Film Lipid Layer Thickness and Ocular Comfort after Meibomian Therapy via Latent Heat with a Novel Device in Normal Subjects," *Eye*, pp. 1-4, 2004.
- Mori, A., et al., "Efficacy of the Treatment by the Disposable Eyelid Warming Instrument for Meibomian Gland Dysfunction," *Poster Presentation, Hall A*, 1 page.
- Mori, Asako, et al., "Disposable Eyelid-Warming Device for the Treatment of Meibomian Gland Dysfunction", *Japan Journal of Ophthalmology*, vol. 47, pp. 578-586, 2003.
- Olson, Mary Catherine, B.A., et al., "Increase in Tear Film Lipid Layer Thickness Following Treatment with Warm Compresses in Patients with Meibomian Gland Dysfunction," *Eye & Contact Lens*, vol. 29, No. 2, pp. 96-99, 2003.
- Paugh, J.R. et al., "Meibomian Therapy in Problematic Contact Lens Wear," *Entrez PubMed, Optom Vis Sci*, vol. 68, No. 11, Nov. 1990, pp. 803-806 (abstract only).
- Romero, Juan M., et al., "Conservative Treatment of Meibomian Gland Dysfunction," *Contact Lens Association of Ophthalmology, Eye & Contact Lens*, vol. 30, pp. 14-19, 2004.
- Sullivan, Benjamin D., et al., "Impact of Antiandrogen Treatment on the Fatty Acid Profile of Neutral Lipids in Human Meibomian Gland Secretions," *Journal of Clinical Endocrinology & Metabolism*, Vol. 85, No. 12, pp. 4866-4873, 2000.
- Tobler, David et al., "Nanotech Silver Fights Microbes in Medical Devices," *ND & DI, devicelink.com*, 1 page.
- Unknown, "Anatomy of the Eye and Orbit," p. 170.
- Unknown, "IFU Manual for PNT Model 1000—Rev H," 24 pages.
- Korb, Donald et al., "The Effect of Two Novel Lubricant Eye Drops on Tear Film Lipid Layer Thickness in Subjects with Dry Eye Symptoms," *Optom. Vis. Sci.*, vol. 82, No. 7, 2005, pp. 594-601.
- Korb, Donald R. et al., "Tear Film Lipid Layer Thickness as a Function of Blinking," *Cornea*, vol. 13, No. 4, 1994, pp. 354-359.
- Knop, E. et al., "Meibomian Glands: Part III—Dysfunction—Argument for a Discrete Disease Entity and as an Important Cause of Dry Eye," *Ophthalmology*, vol. 106, No. 11, Nov. 2009, pp. 966-979. (Abstract Only).
- Knop, E. et al., "Meibomian Glands: Part IV—Functional Interactions in the Pathogenesis of Meibomian Gland Dysfunction (MGD)," *Ophthalmology*, vol. 106, No. 11, Nov. 2009, pp. 980-987. (Abstract Only).
- Foulks, Gary N. et al., "Topical Azithromycin Therapy for Meibomian Gland Dysfunction: Clinical Response and Lipid Alterations," *Cornea*, vol. 29, No. 7, Jul. 2010, pp. 781-788.
- Butovich, Igor et al., "Meibomian Lipid Glands and the Impact of Temperature," *Investigative Ophthalmology & Visual Science*, vol. 51, No. 11, Nov. 2010, pp. 5508-5518.
- Korb, Donald R. et al., "Restoration of Meibomian Gland Functionality with Novel Thermodynamic Treatment Device—A Case Report," *Cornea*, vol. 29, No. 8, Aug. 2010, pp. 930-933.
- Akyol-Salman, Ilknur et al., "Efficacy of Topical N-Acetylcysteine in the Treatment of Meibomian Gland Dysfunction," *Journal of Ocular Pharmacology and Therapeutics*, vol. 26, No. 4, Aug. 1, 2010, pp. 329-333.
- Wang, Y. et al., "Baseline Profiles of Ocular Surface and Tear Dynamics After Allogeneic Hematopoietic Stem Cell Transplantation in Patients With or Without Chronic GVHD-Related Dry Eye," *Bone Marrow Transplantation*, vol. 45, No. 6, Jun. 2010, pp. 1077-1083.
- Korb, Donald R. et al., "Lid Wiper Epitheliopathy and Dry Eye Symptoms," *Eye & Contact Lens*, vol. 31, No. 1, 2005, pp. 2-8.
- Foulks, Gary N., "Meibomian Gland Dysfunction: The Past, Present, and Future," *Eye and Contact Lens*, vol. 36, No. 5, Sep. 2010, pp. 249-253.
- Blackie, Caroline A. et al., "Nonobvious Obstructive Meibomian Gland Dysfunction" *Cornea*, vol. 29, No. 12, Dec. 2010, pp. 1333-1345.
- Haque, Reza M. et al., "Multicenter Open-label Study Evaluating the Efficacy of Azithromycin Ophthalmic Solution 1% on the Signs and Symptoms of Subjects with Blepharitis," *Cornea*, vol. 29, No. 8, Aug. 2010, pp. 871-877.
- Maskin, Steven L., "Intraductal Meibomian Gland Probing Relieves Symptoms of Obstructive Meibomian Gland Dysfunction," *Cornea*, vol. 29, No. 10, Oct. 2010, pp. 1145-1152.
- Dausch, Eva et al., "Dry Eye Syndrome in Women's Health and Gynecology: Etiology, Pathogenesis and Current Therapeutic Strategies," *Geburtshilfe und Frauenheilkunde*, vol. 70, No. 9, Jan. 1, 2010, pp. 707-711. (Abstract Only).

\* cited by examiner

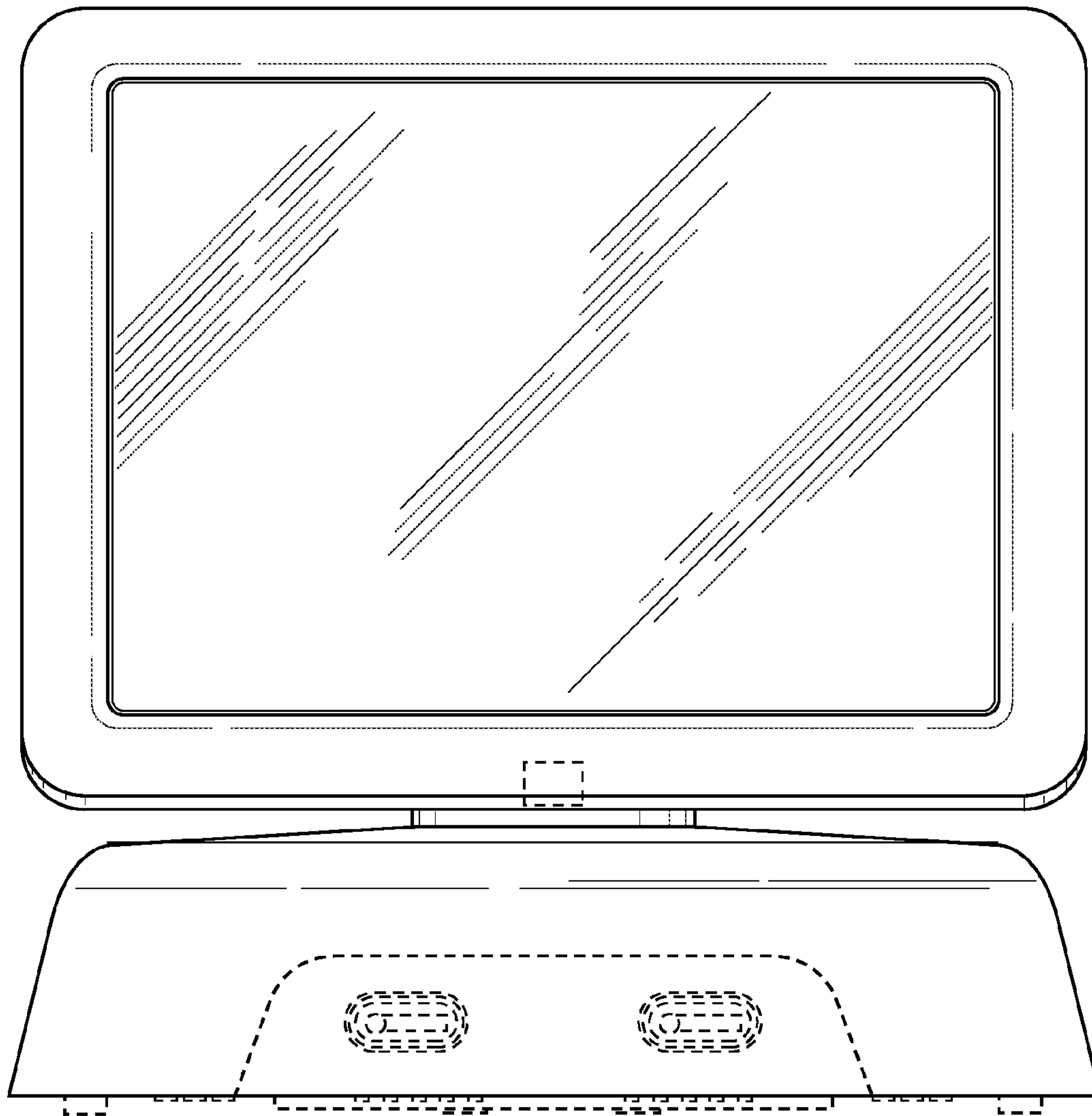


**FIG. 1**





**FIG. 2**



**FIG. 3**

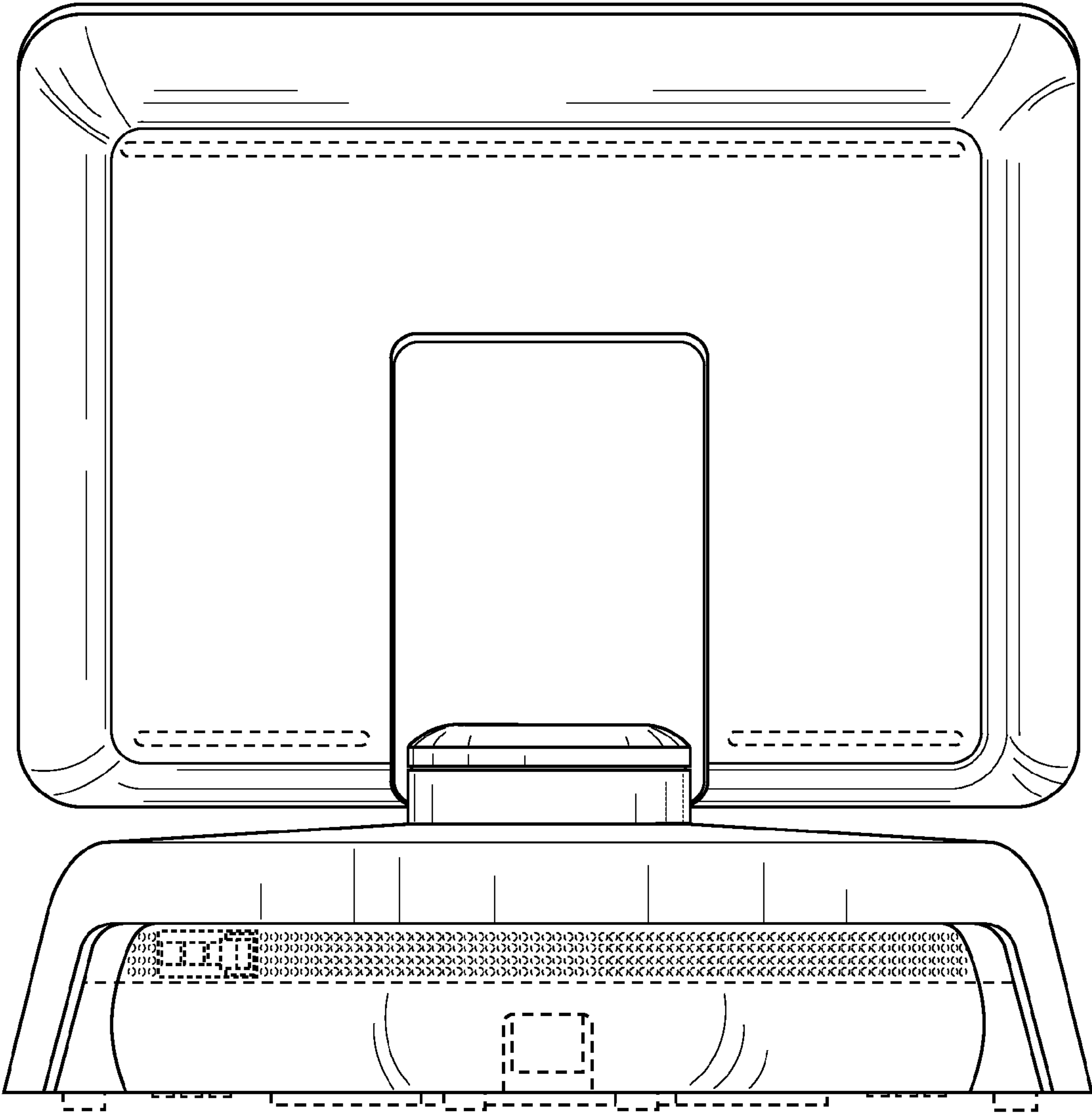


FIG. 4

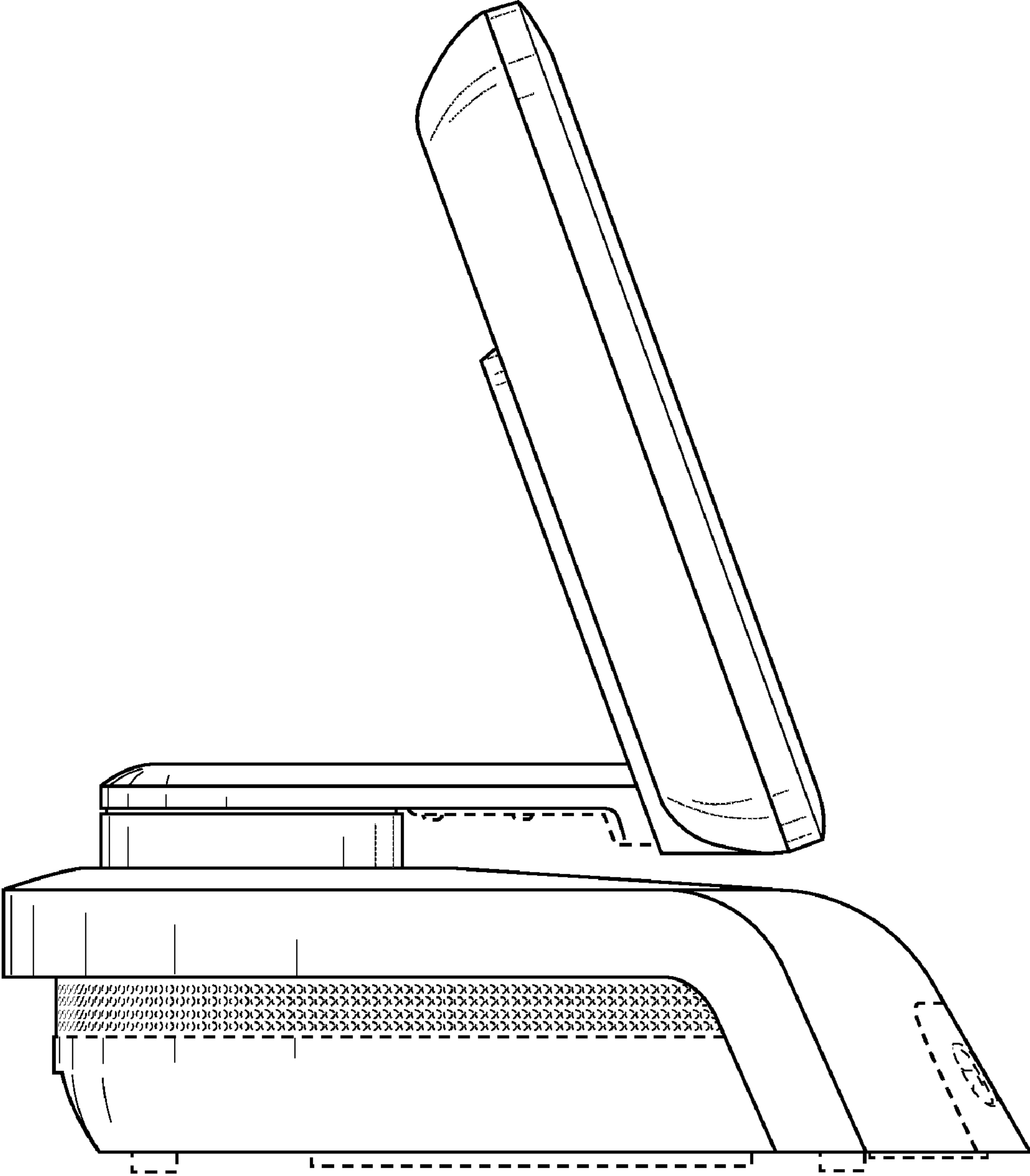
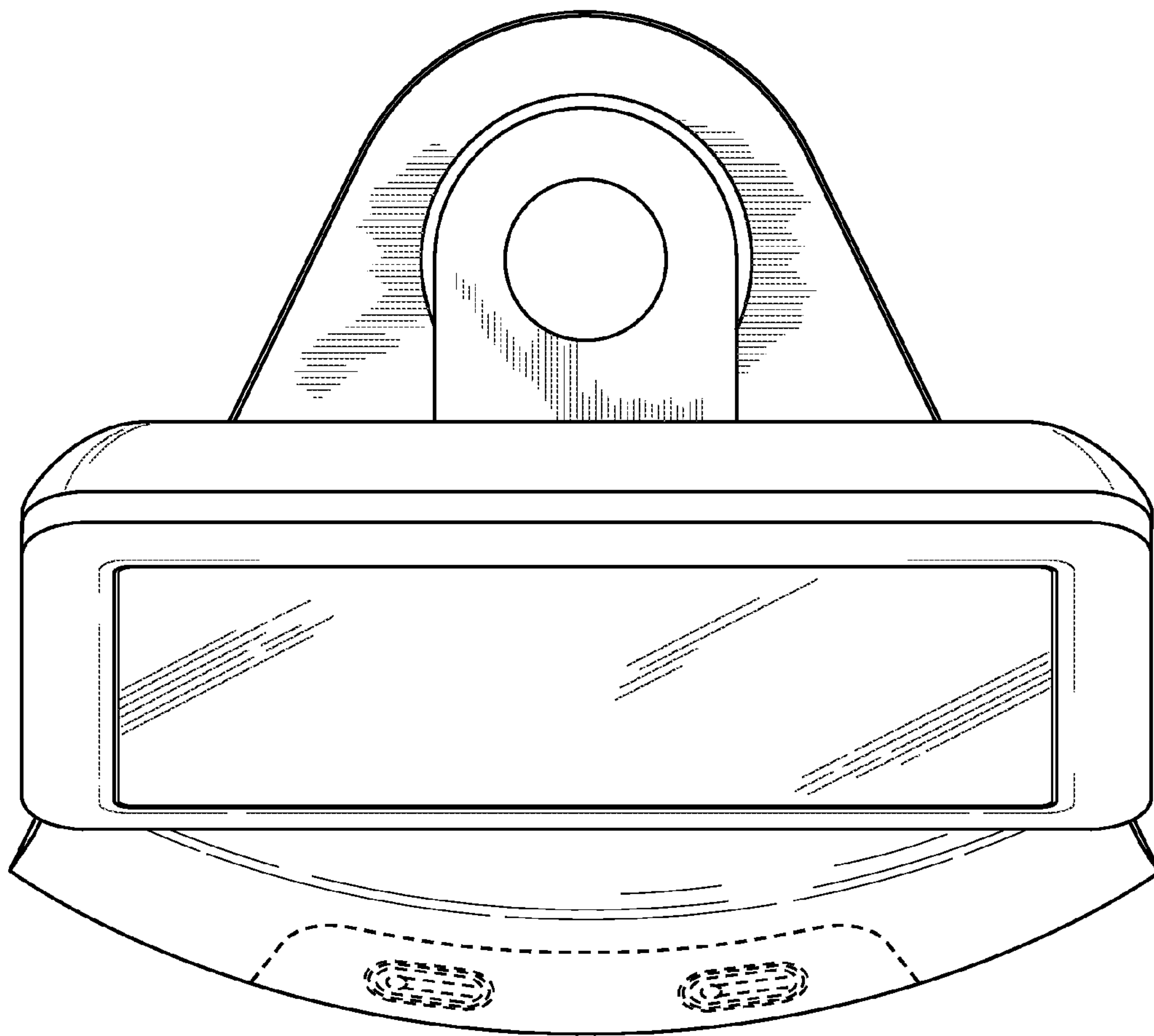


FIG. 5





**FIG. 6**

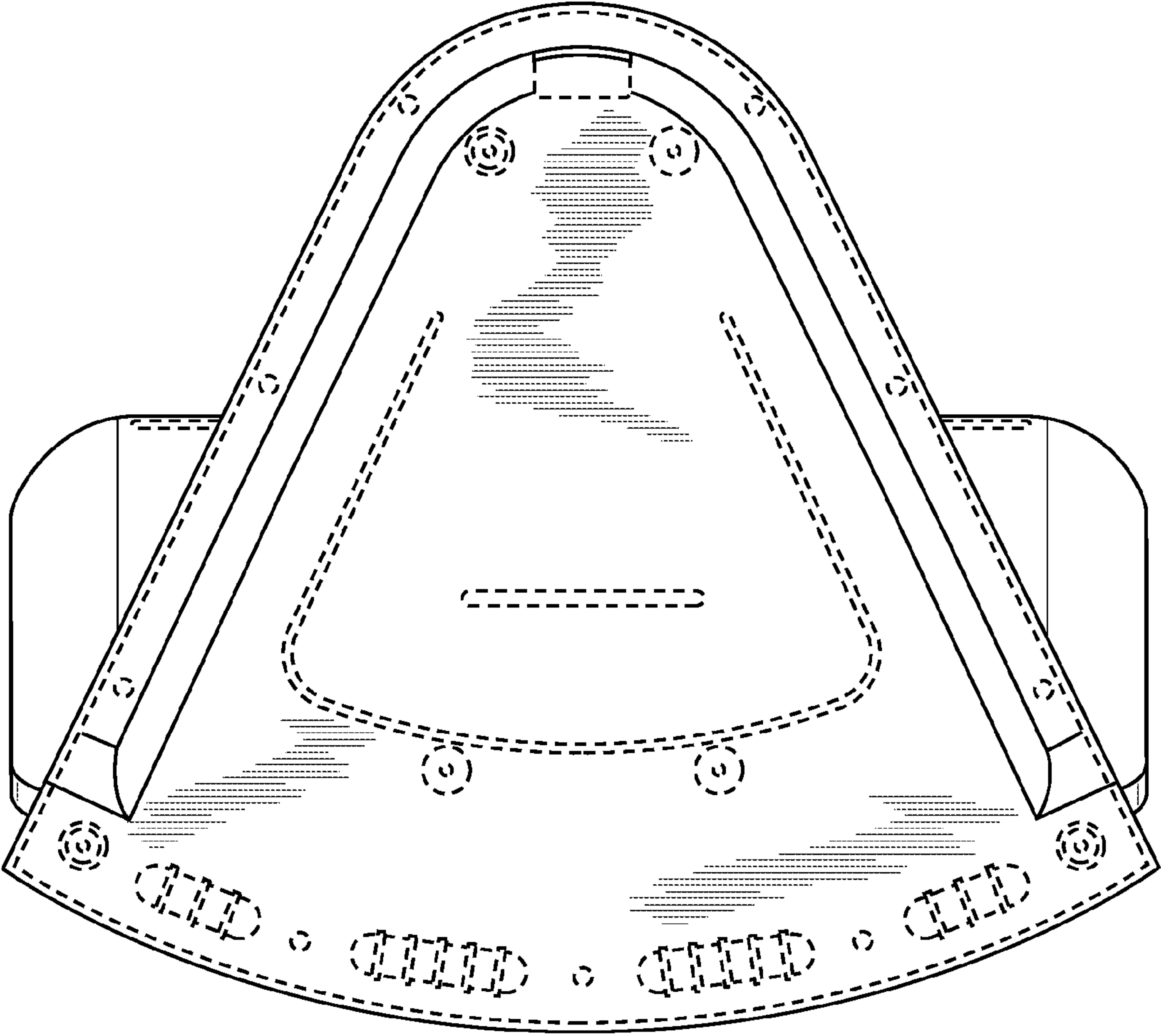


FIG. 7