



US00D638125S

(12) **United States Design Patent**  
**Velikov**

(10) **Patent No.:** **US D638,125 S**  
(45) **Date of Patent:** **\*\* May 17, 2011**

(54) **INTRAMEDULLARY NAIL**

(75) Inventor: **Jordan Velikov**, Gockhausen (CH)

(73) Assignee: **Zimmer, GmbH**, Winterthur (CH)

(\*\*) Term: **14 Years**

(21) Appl. No.: **29/359,528**

(22) Filed: **Apr. 13, 2010**

(51) **LOC (9) Cl.** ..... **24-02**

(52) **U.S. Cl.** ..... **D24/146; D24/145**

(58) **Field of Classification Search** ..... D24/133,  
D24/145-147, 155; 606/53, 60, 62, 64, 67,  
606/65-66

See application file for complete search history.

(56) **References Cited**

**U.S. PATENT DOCUMENTS**

5,034,013	A *	7/1991	Kyle et al.	606/62
5,176,681	A	1/1993	Lawes et al.	
5,713,902	A	2/1998	Friedl	
5,855,579	A *	1/1999	James et al.	606/62
6,123,708	A *	9/2000	Kilpela et al.	606/62
6,224,601	B1	5/2001	Friedl	
6,296,645	B1 *	10/2001	Hover et al.	606/62
6,709,436	B1 *	3/2004	Hover et al.	606/62
6,808,527	B2 *	10/2004	Lower et al.	606/62
7,232,442	B2 *	6/2007	Sohngen et al.	606/62
7,527,627	B2 *	5/2009	Ferrante et al.	606/64
D611,225	S *	3/2010	Khalil et al.	D24/146
7,670,340	B2 *	3/2010	Brivio et al.	606/64
7,771,428	B2 *	8/2010	Siravo et al.	606/62
2002/0103488	A1 *	8/2002	Lower et al.	606/62
2004/0172027	A1	9/2004	Spietling et al.	
2005/0055024	A1	3/2005	James et al.	
2006/0084999	A1 *	4/2006	Aschmann	606/64
2006/0095039	A1 *	5/2006	Mutchler	606/64
2006/0200160	A1	9/2006	Border et al.	
2007/0049940	A1 *	3/2007	Wallace et al.	606/62
2007/0265628	A1 *	11/2007	Kraus et al.	606/64
2007/0276385	A1 *	11/2007	Schlienger et al.	606/60
2008/0009869	A1 *	1/2008	Schlienger et al.	606/64
2008/0287949	A1 *	11/2008	Keith et al.	606/62
2009/0088752	A1 *	4/2009	Metzinger et al.	606/62

(Continued)

**FOREIGN PATENT DOCUMENTS**

DE 4318150 A1 12/1994  
(Continued)

**OTHER PUBLICATIONS**

Zimmer Natural Nail System Brochure, Zimmer 2010 (8 pp).  
Zimmer Natural Nail System Cephalomedullary Nail Surgical Technique, Zimmer 2010 (24 pp).

*Primary Examiner* — Ian Simmons

*Assistant Examiner* — Wan Laymon

(74) *Attorney, Agent, or Firm* — Baker & Daniels LLP

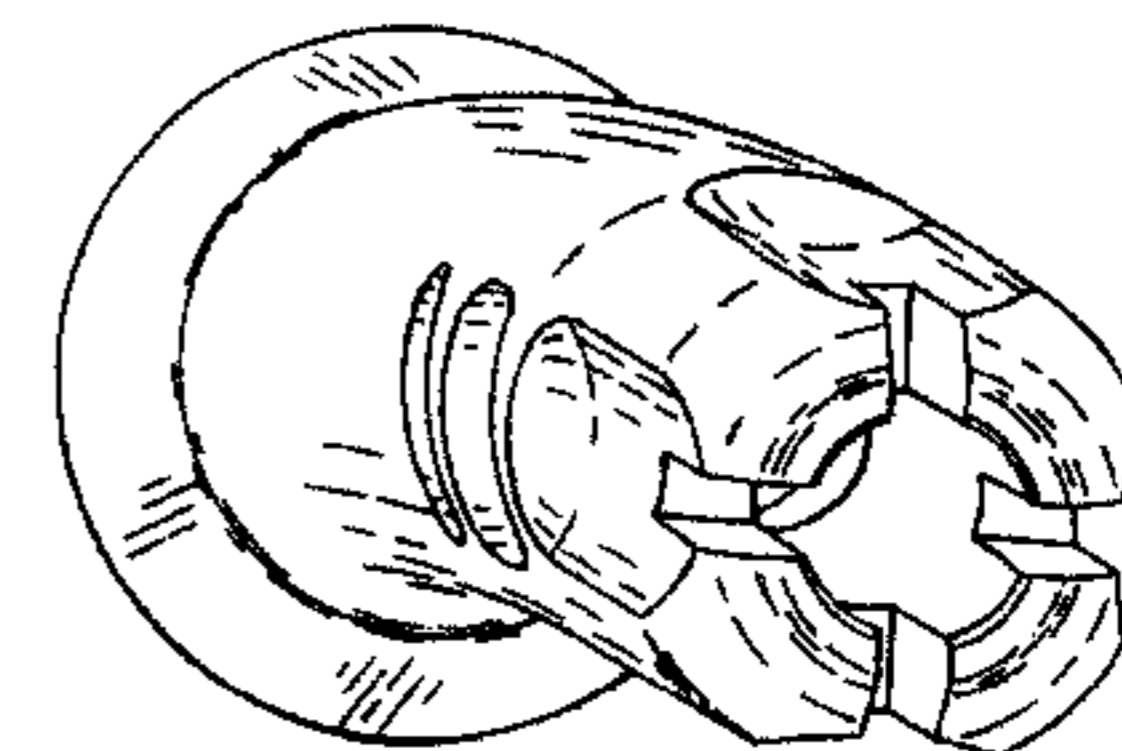
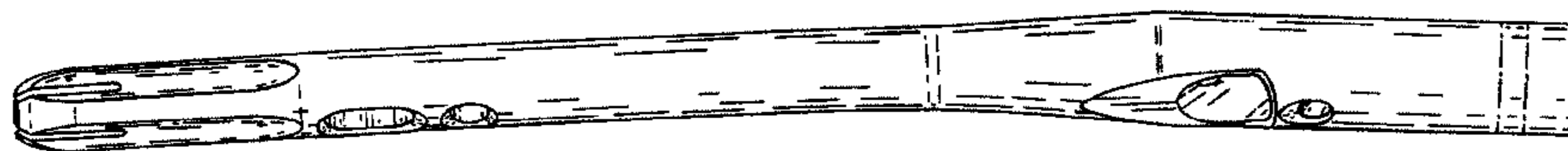
(57) **CLAIM**

The ornamental design for an intramedullary nail, as shown and described.

**DESCRIPTION**

FIG. 1 is a perspective view of an intramedullary nail illustrating my new design;  
FIG. 2 is another perspective view thereof;  
FIG. 3 is another perspective view thereof;  
FIG. 4 is a right side elevation view thereof;  
FIG. 5 is a left side elevation view thereof;  
FIG. 6 is a top plan view thereof;  
FIG. 7 is a bottom plan view thereof;  
FIG. 8 is an enlarged fragmentary top plan view thereof;  
FIG. 9 is an enlarged fragmentary right side elevation view thereof;  
FIG. 10 is an enlarged front end elevation view thereof; and,  
FIG. 11 is an enlarged rear end elevation view thereof.  
The uneven dashes showing portions of an intramedullary nail are included for the purpose of illustrating environmental structure and form no part of the claimed design. The dash-dot-dash lines in FIG. 11 adjacent to the solid lines indicate the bounds of the claim. None of the broken lines form any part of the claimed design.

**1 Claim, 5 Drawing Sheets**



# US D638,125 S

Page 2

---

## U.S. PATENT DOCUMENTS

2009/0306666 A1\* 12/2009 Czartoski et al. .... 606/64  
2010/0094292 A1\* 4/2010 Parrott ..... 606/62  
2010/0174284 A1\* 7/2010 Schwamberger et al. ... 606/62  
2010/0179551 A1 7/2010 Keller et al.

## FOREIGN PATENT DOCUMENTS

EP 1452144 A2 9/2004  
WO WO2008/147975 A1 12/2008

\* cited by examiner

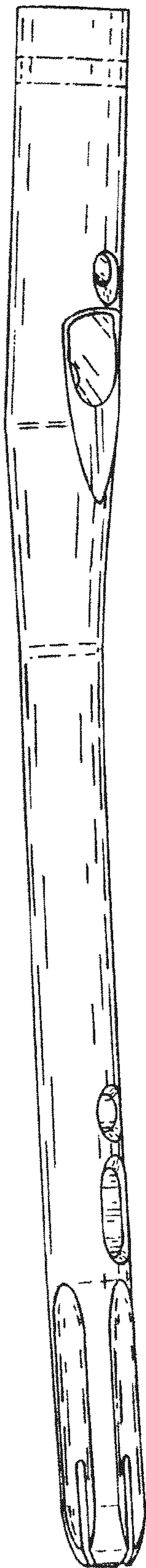


FIG. 1

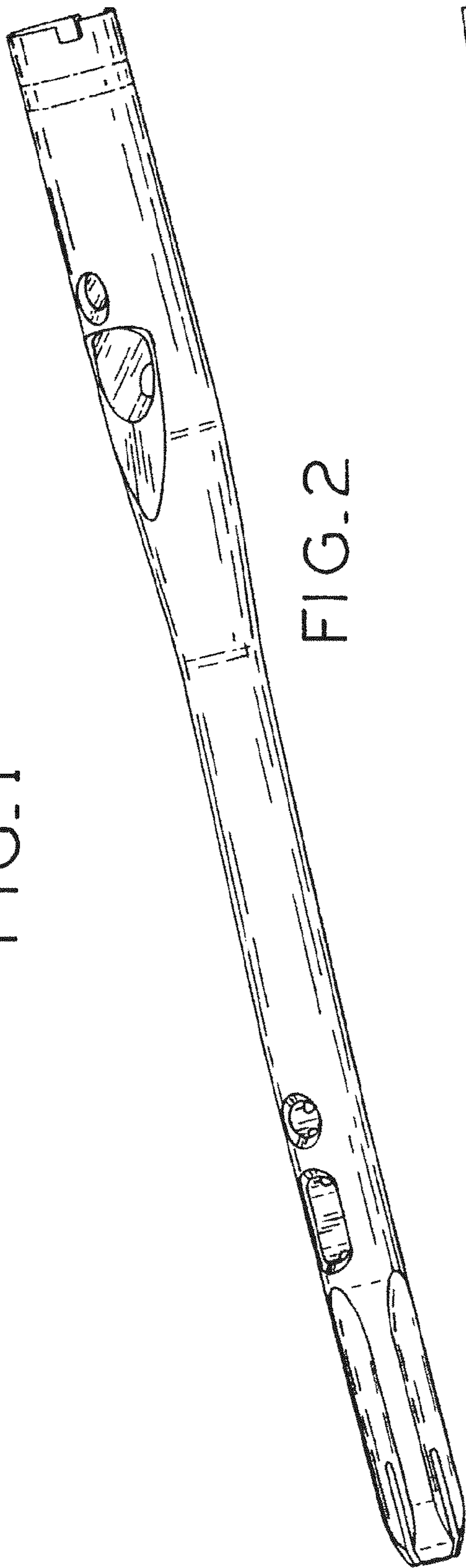


FIG. 2

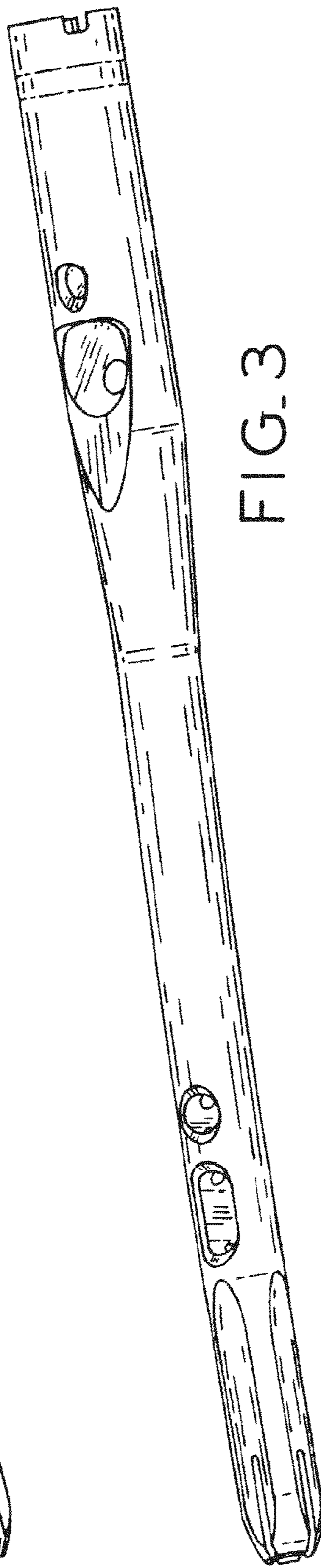


FIG. 3

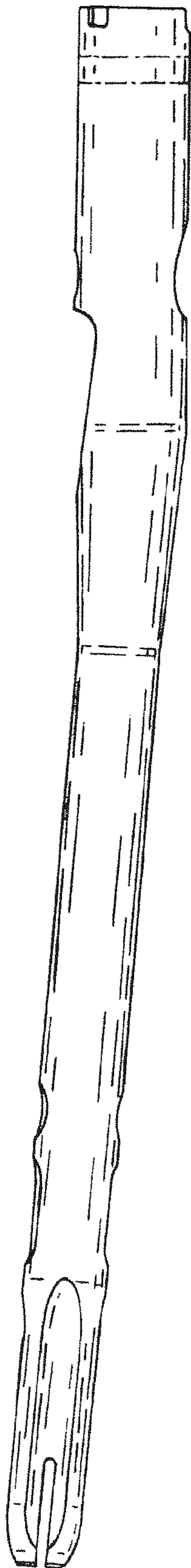


FIG. 4

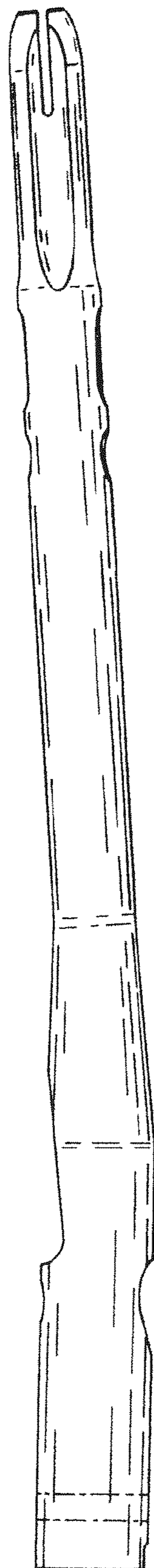


FIG. 5

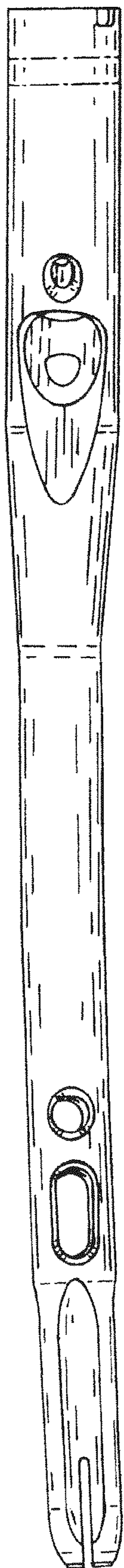


FIG. 6

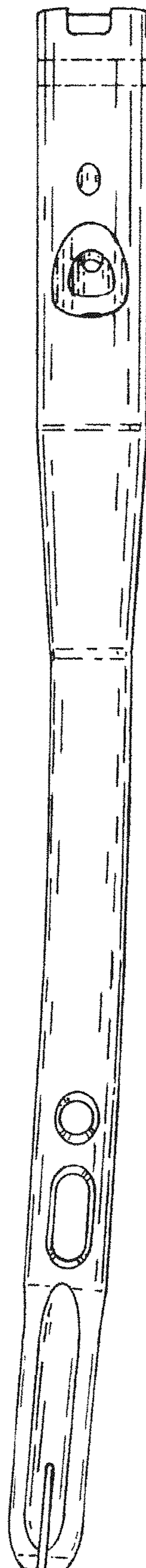


FIG. 7

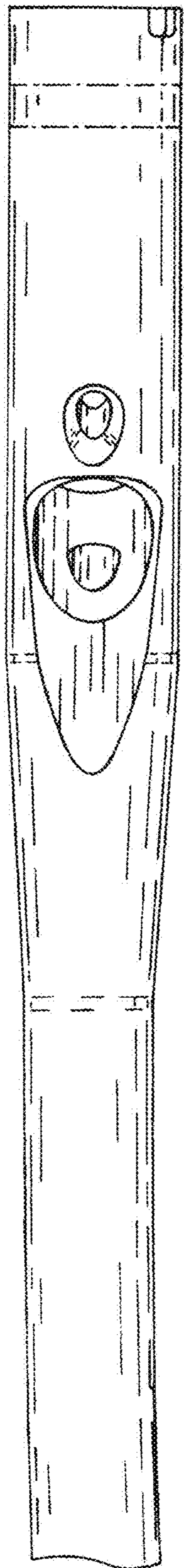


FIG. 8

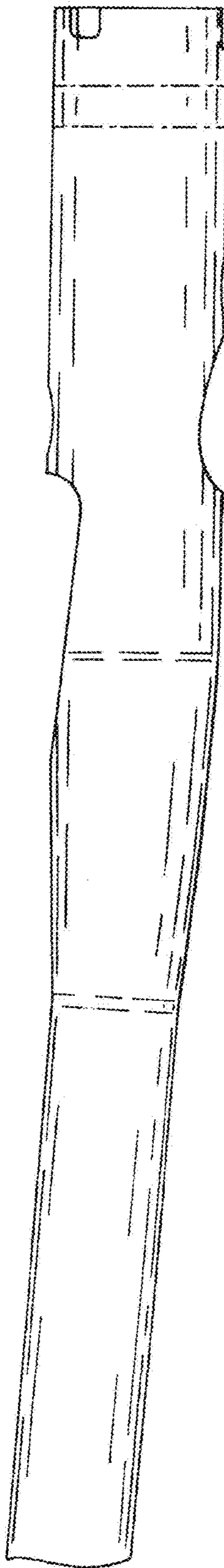


FIG. 9

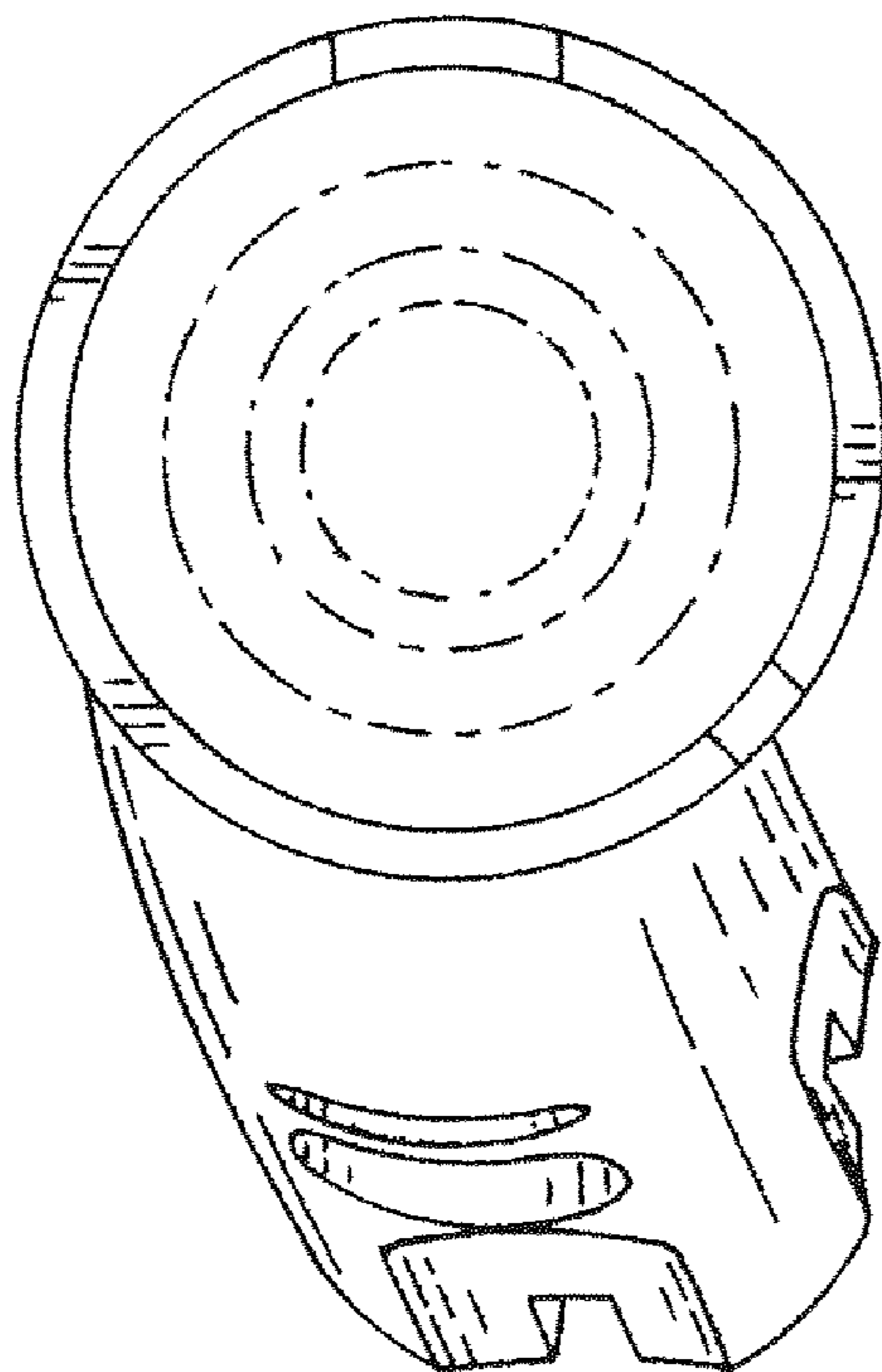


FIG. 11

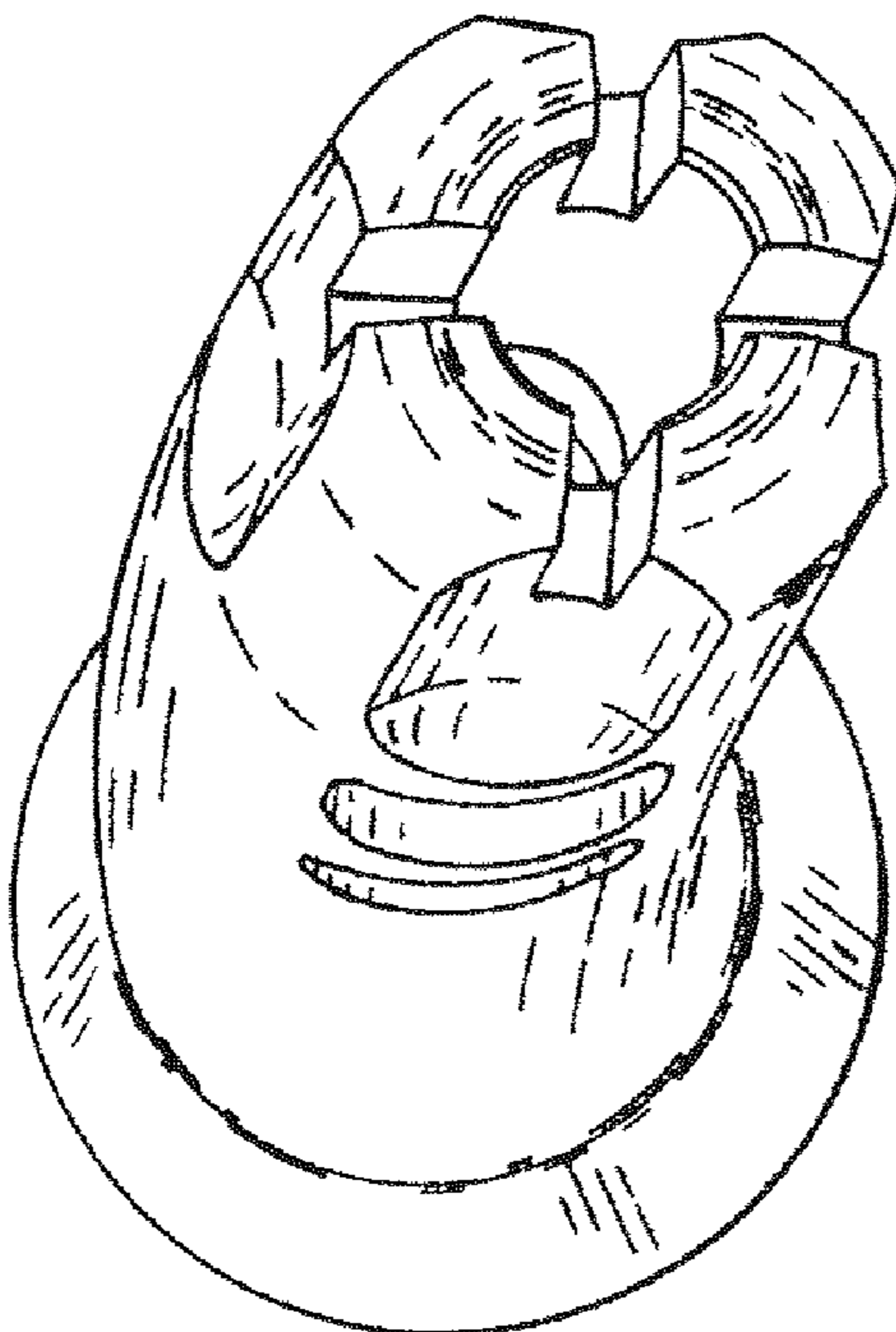


FIG. 10