



US00D638124S

(12) **United States Design Patent**  
**Hirabayashi et al.**

(10) **Patent No.:** **US D638,124 S**

(45) **Date of Patent:** **\*\* May 17, 2011**

(54) **BIOPSY NEEDLE SUPPORT DEVICE**

(75) Inventors: **Katsumi Hirabayashi**, Kanagawa (JP);  
**Hajime Nakata**, Kanagawa (JP)

(73) Assignee: **Fujifilm Corporation**, Tokyo (JP)

(\*\*) **Term:** **14 Years**

(21) **Appl. No.:** **29/361,319**

(22) **Filed:** **May 10, 2010**

(30) **Foreign Application Priority Data**

Nov. 16, 2009 (JP) ..... 2009-026745

(51) **LOC (9) Cl.** ..... **24-02**

(52) **U.S. Cl.** ..... **D24/140**

(58) **Field of Classification Search** ..... D24/133,  
D24/158, 140, 143; 378/208; 606/130, 233;  
600/415, 461

See application file for complete search history.

(56) **References Cited**

**U.S. PATENT DOCUMENTS**

D274,463	S	*	6/1984	Clark	.....	D24/183
D277,603	S	*	2/1985	D'Alo et al.	.....	D24/111
D315,207	S	*	3/1991	Korvenmaa	.....	D24/158
5,040,198	A	*	8/1991	Hixson, Sr.	.....	378/37
5,136,623	A	*	8/1992	Hixson, Sr.	.....	378/37
5,163,430	A	*	11/1992	Carol	.....	600/429
5,254,123	A	*	10/1993	Bushey	.....	606/130
5,280,427	A	*	1/1994	Magnusson et al.	.....	600/407
D360,259	S	*	7/1995	Ijiri et al.	.....	D24/111
5,623,931	A	*	4/1997	Wung et al.	.....	600/461
D402,035	S	*	12/1998	Sullenberger et al.	.....	D24/184
D402,370	S	*	12/1998	Sullenberger et al.	.....	D24/184
D406,347	S	*	3/1999	Sullenberger et al.	.....	D24/184
5,971,998	A	*	10/1999	Russell et al.	.....	606/130
6,146,377	A	*	11/2000	Lee et al.	.....	606/13
6,814,704	B2	*	11/2004	Weilandt	.....	600/461

D503,979	S	*	4/2005	Khalaj	.....	D24/146
D515,205	S	*	2/2006	Fathalla et al.	.....	D24/111
D563,553	S	*	3/2008	Saito et al.	.....	D24/158
D597,210	S	*	7/2009	Hirabayashi	.....	D24/158
D625,011	S	*	10/2010	Hirabayashi	.....	D24/158
2001/0024488	A1	*	9/2001	Noetting	.....	378/209
2003/0073895	A1	*	4/2003	Nields et al.	.....	600/407
2004/0243146	A1	*	12/2004	Chesbrough et al.	.....	606/130
2005/0228267	A1	*	10/2005	Bulkes et al.	.....	600/415
2010/0014634	A1	*	1/2010	Ullberg et al.	.....	378/37

\* cited by examiner

*Primary Examiner* — Bridget L Eland

(74) *Attorney, Agent, or Firm* — Young & Thompson

(57) **CLAIM**

The ornamental design for a biopsy needle support device, as shown and described.

**DESCRIPTION**

FIG. 1 is a top, front and side perspective view of a biopsy needle support device showing our new design;  
 FIG. 2 is a front elevational view thereof;  
 FIG. 3 is a rear elevational view thereof;  
 FIG. 4 is a top plan view thereof;  
 FIG. 5 is a bottom plan view thereof;  
 FIG. 6 is a right side elevational view thereof;  
 FIG. 7 is a front elevational view thereof illustrating an alternate position;  
 FIG. 8 is a right side elevational view thereof illustrating another alternate position;  
 FIG. 9 is a right side elevational view thereof illustrating another alternate position; and,  
 FIG. 10 is a top, front and side perspective view thereof, shown in use.

The broken lines shown in the FIG. 10 view are directed to environment and are for illustrative purposes only; the broken lines form no part of the claimed design.

**1 Claim, 8 Drawing Sheets**

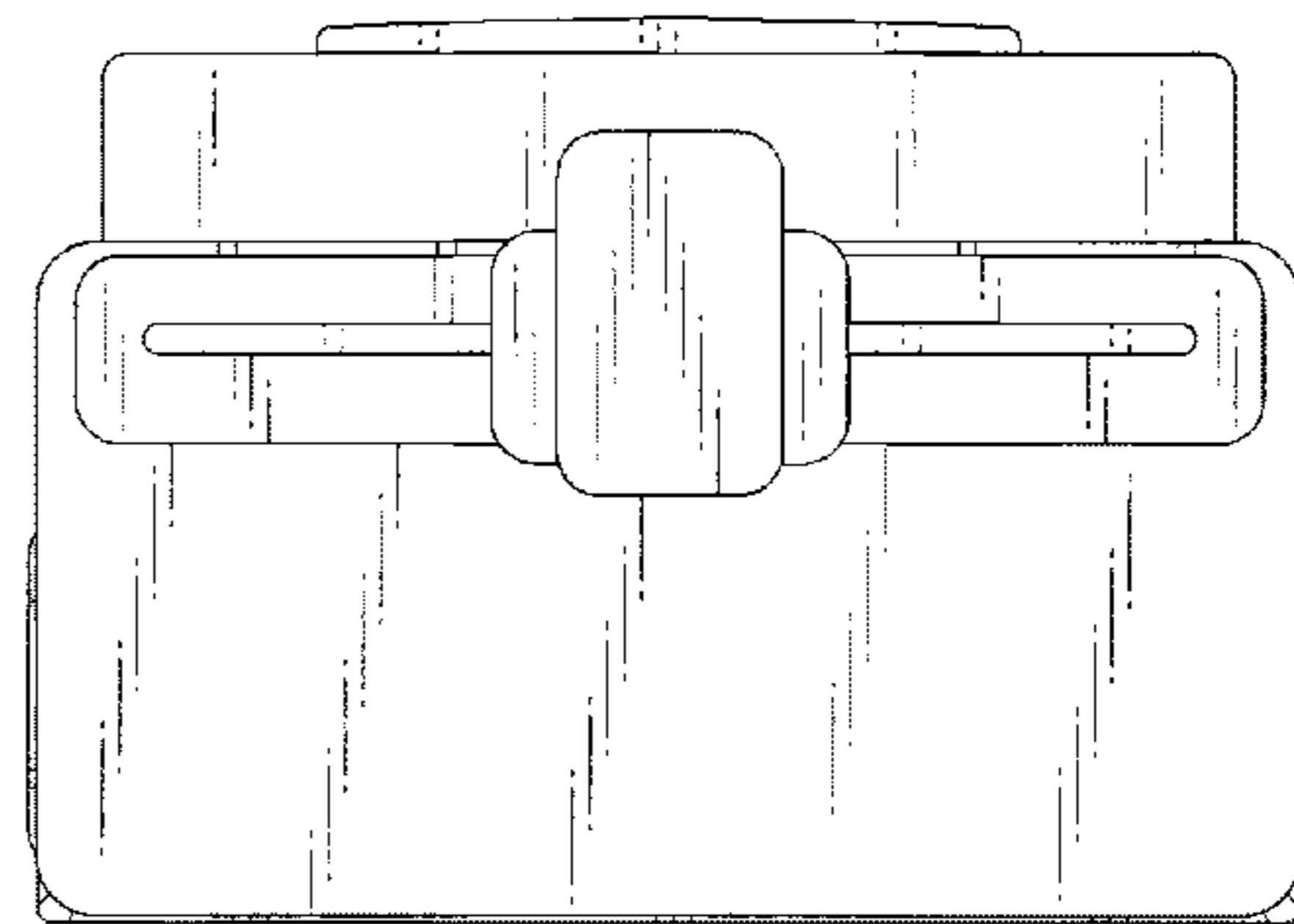
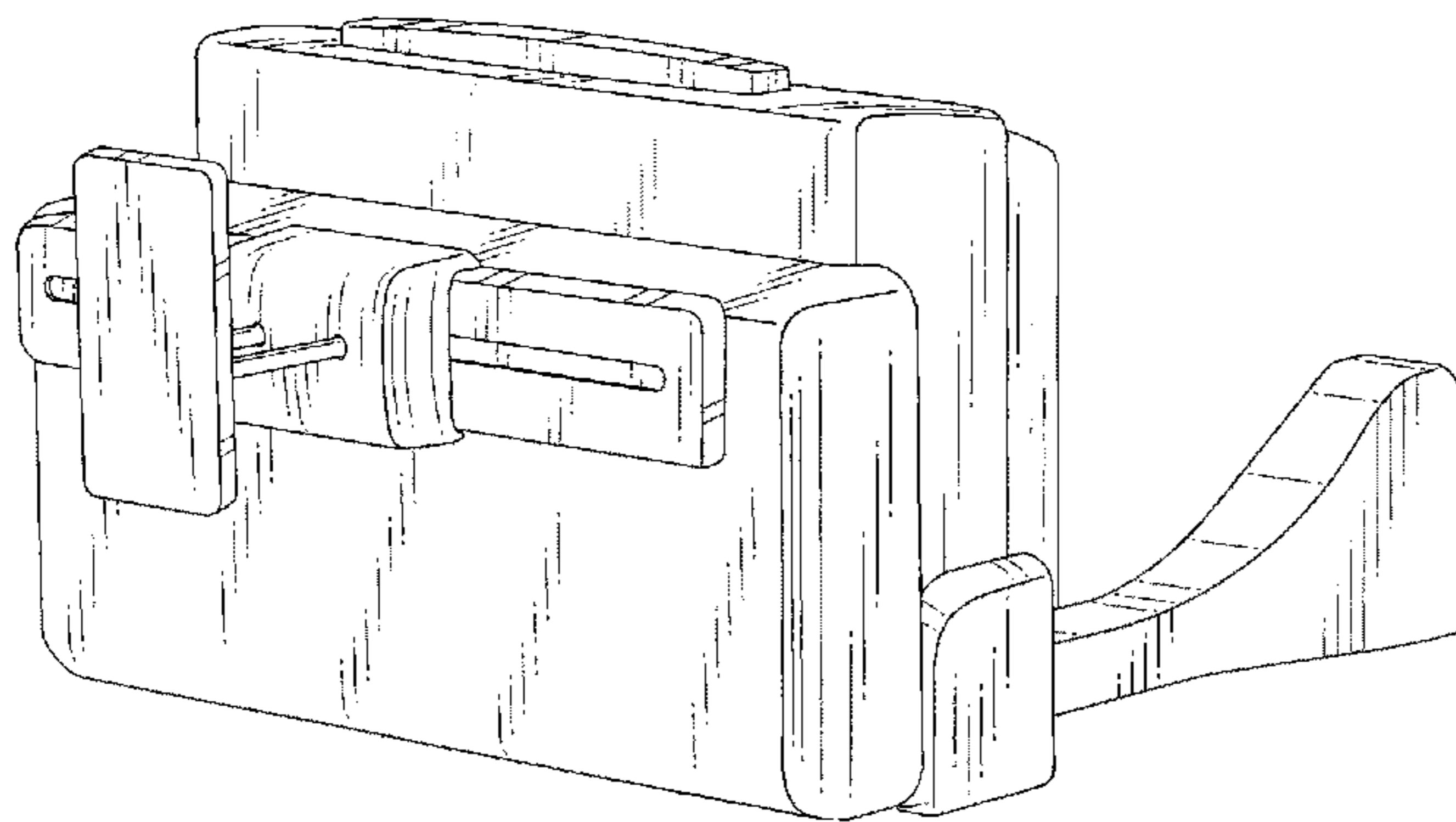


FIG. 1

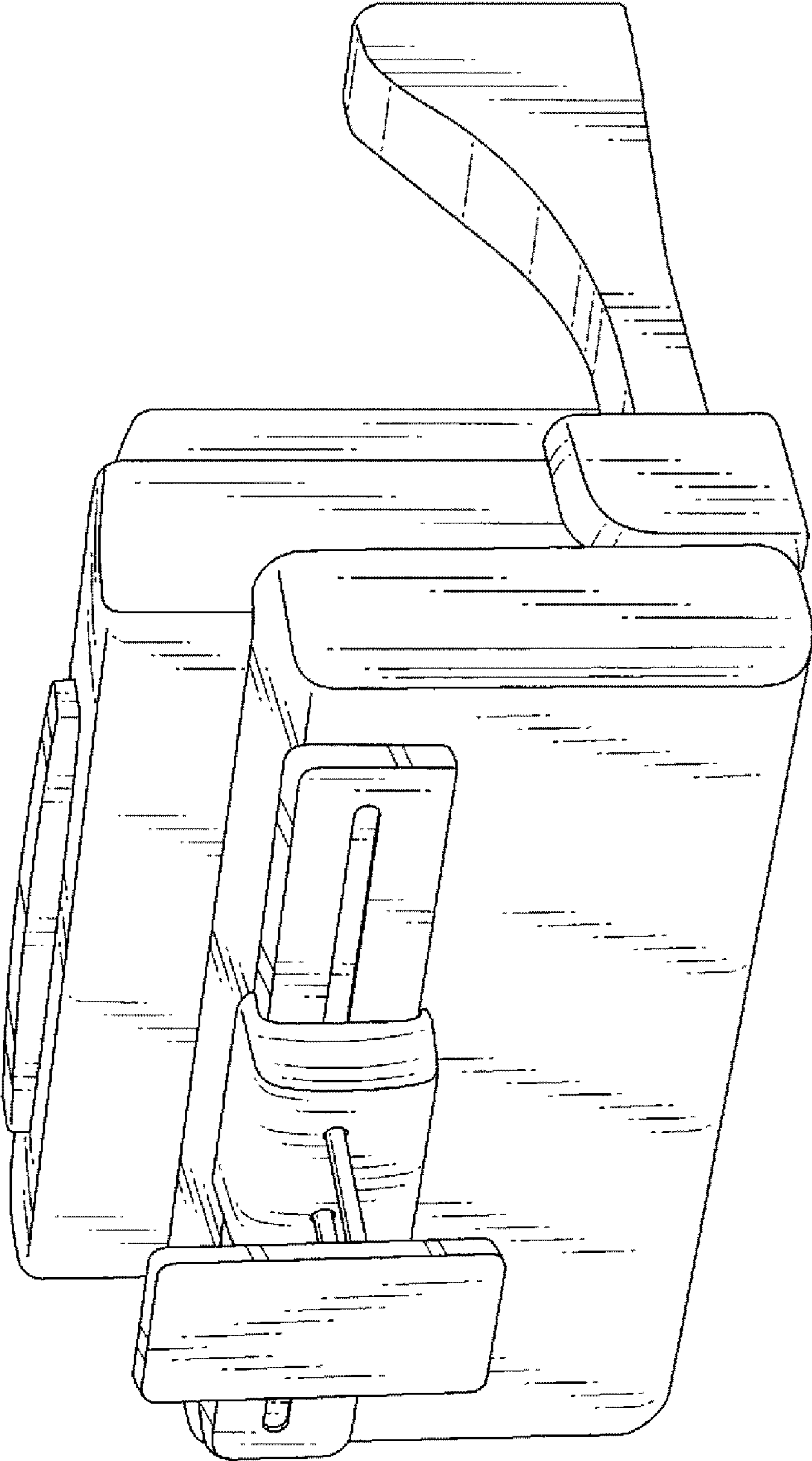


FIG. 2

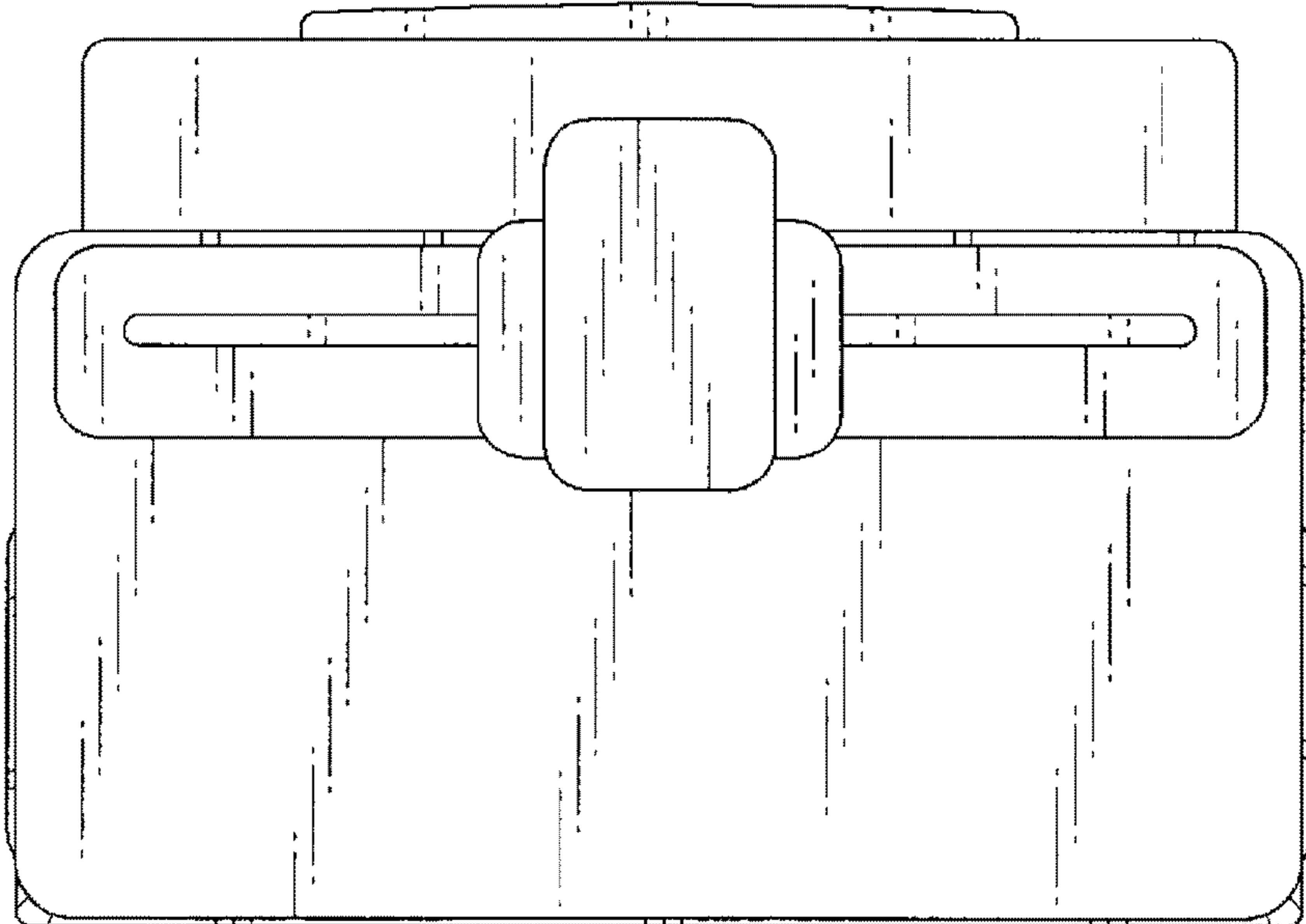
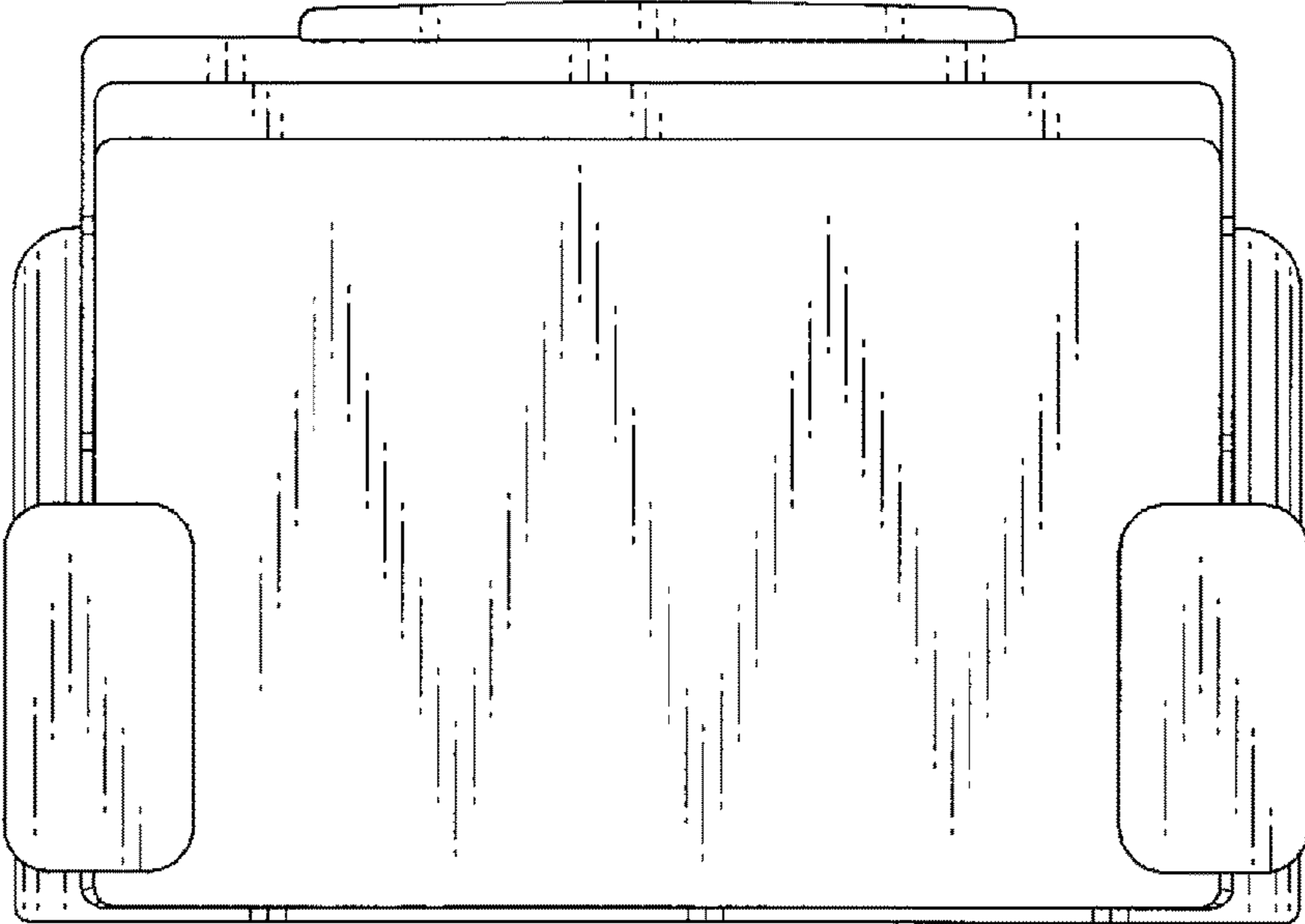


FIG. 3



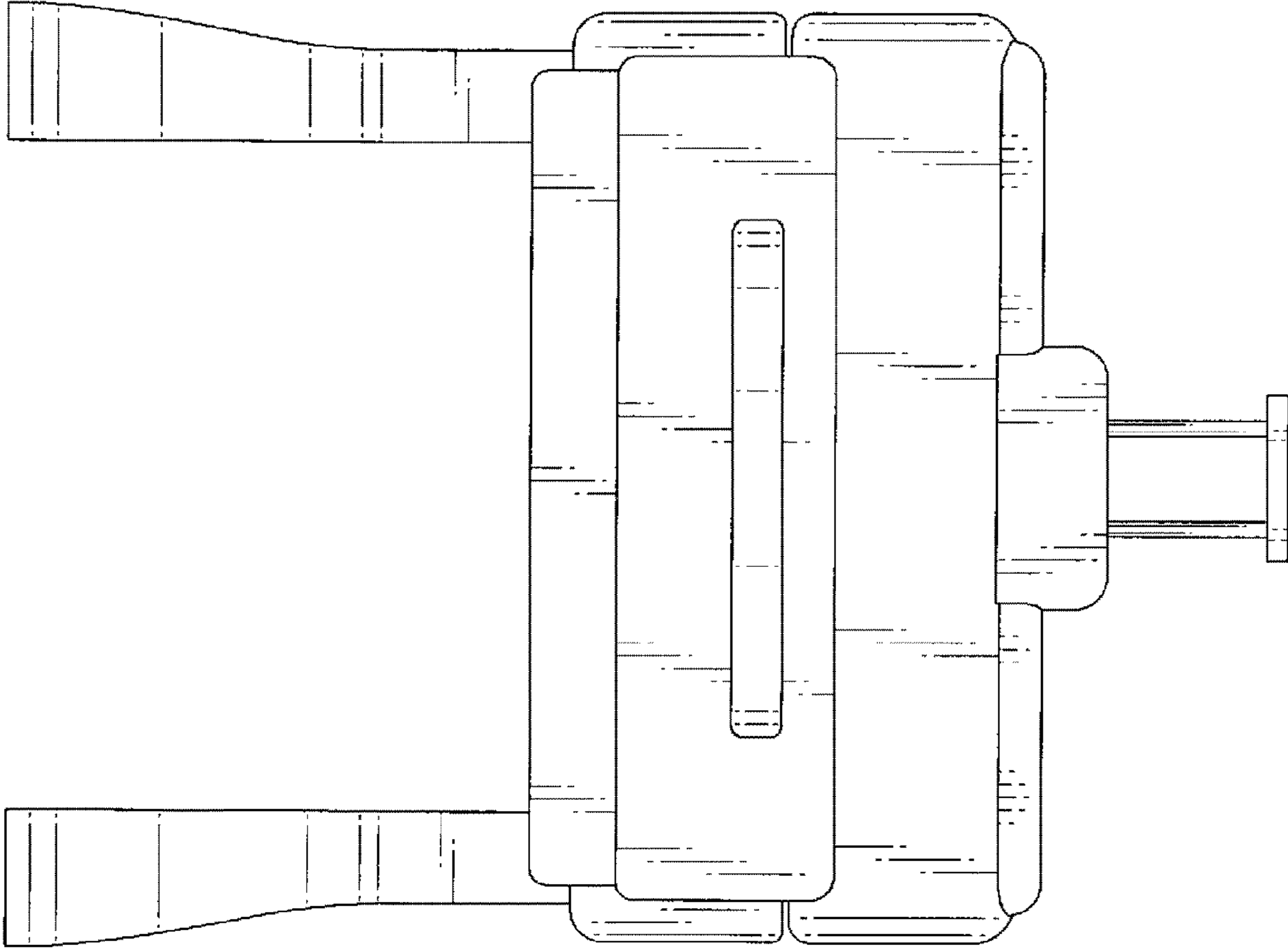


FIG. 4

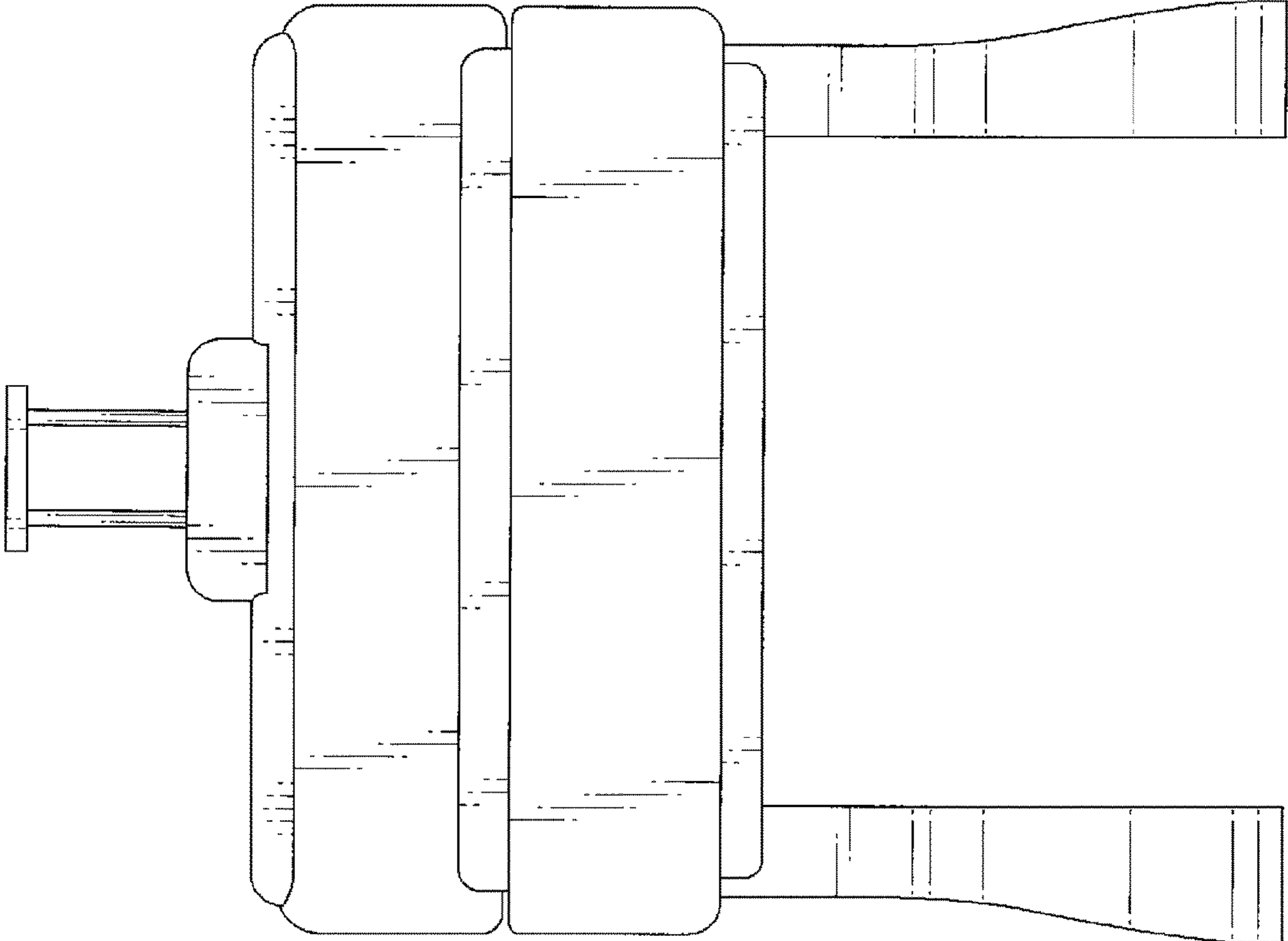


FIG. 5

FIG. 6

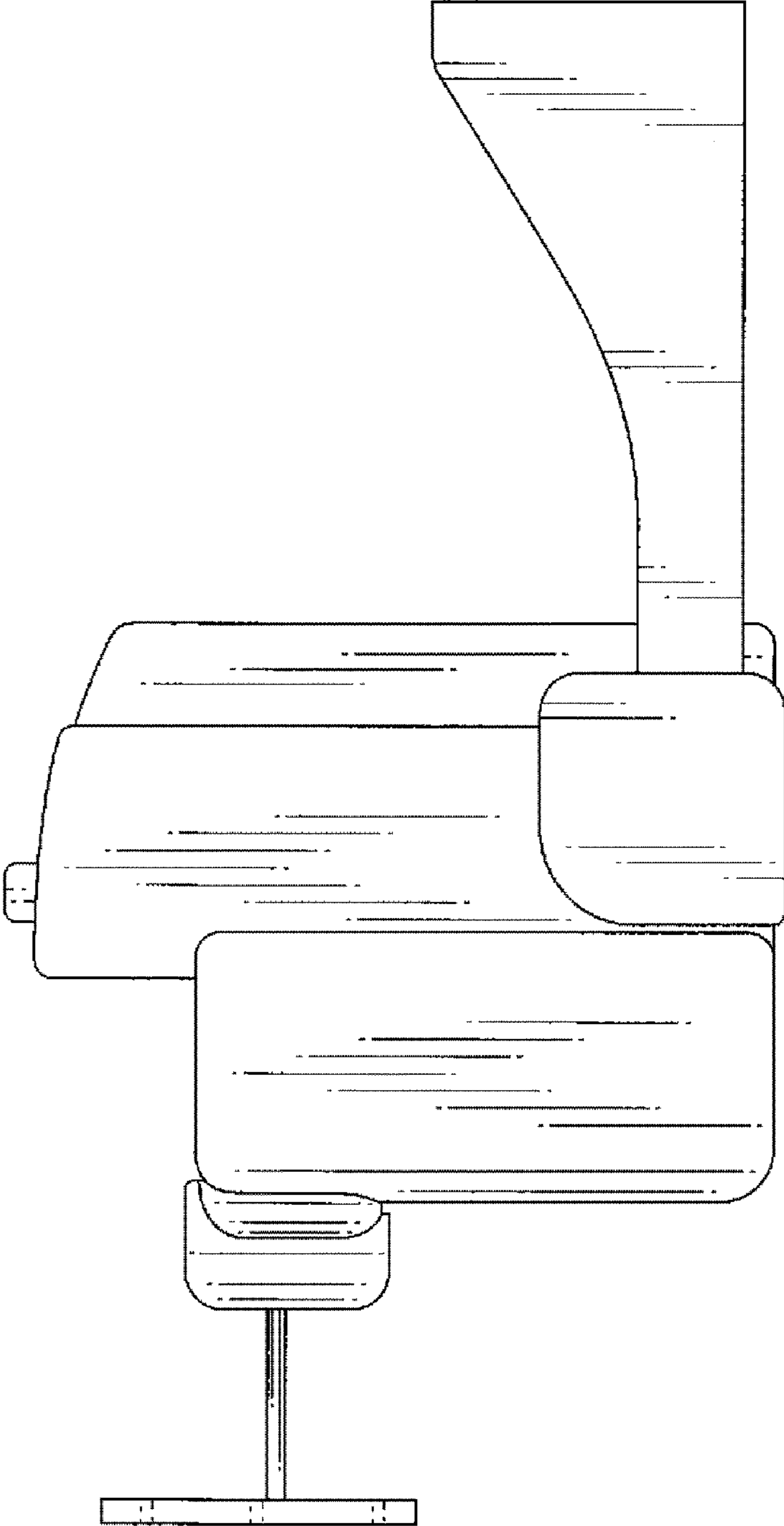


FIG. 7

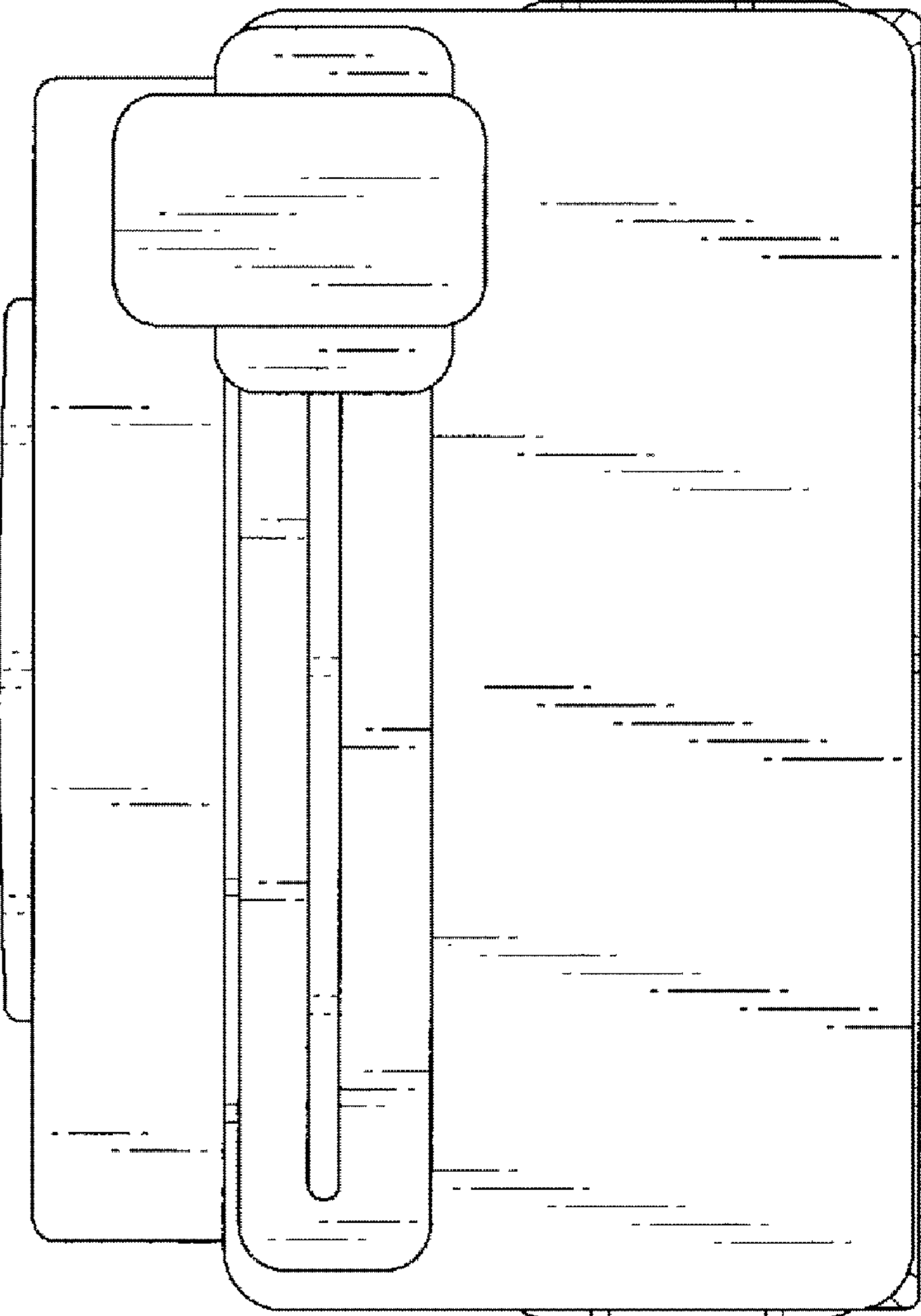


FIG. 8

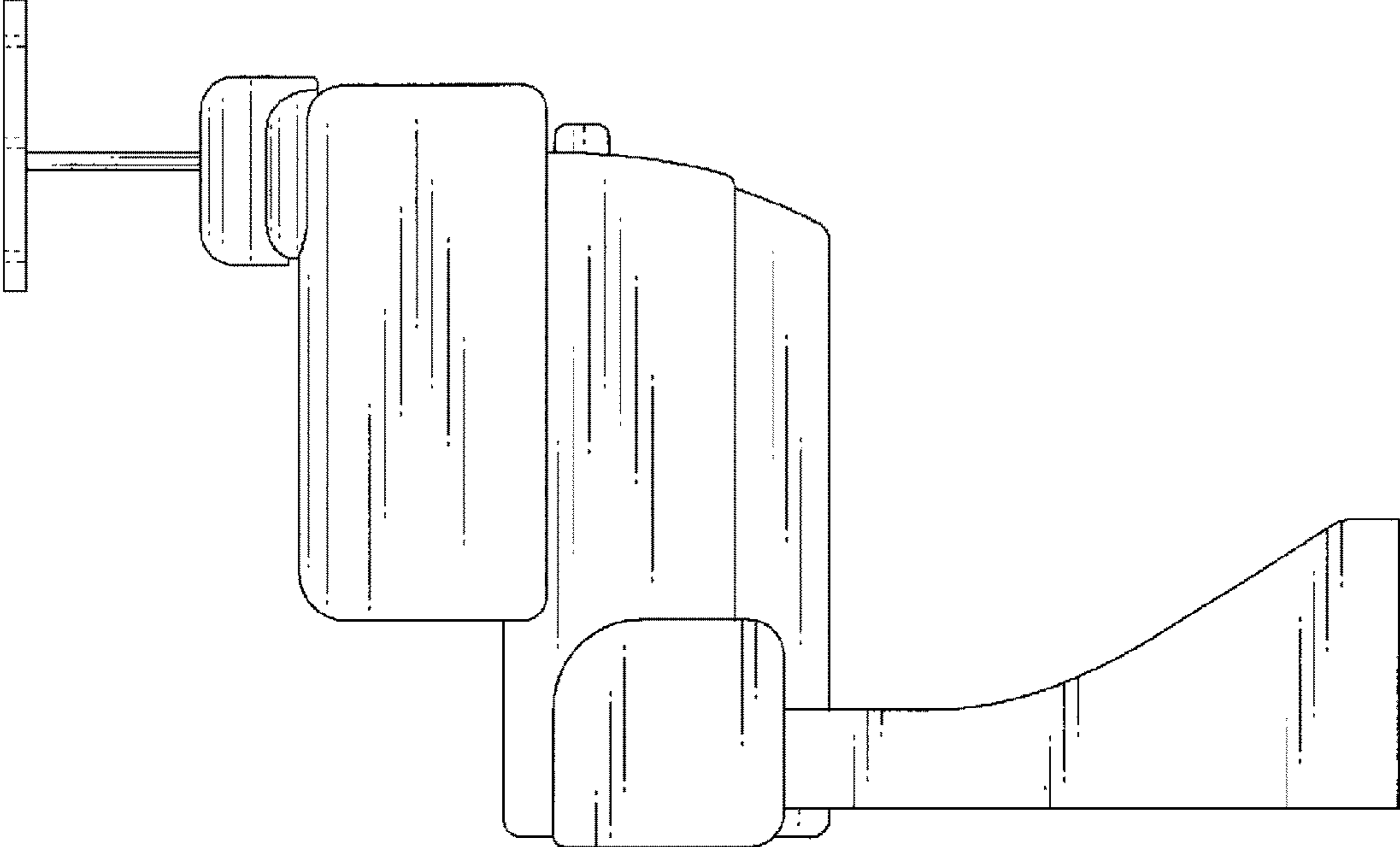


FIG. 9

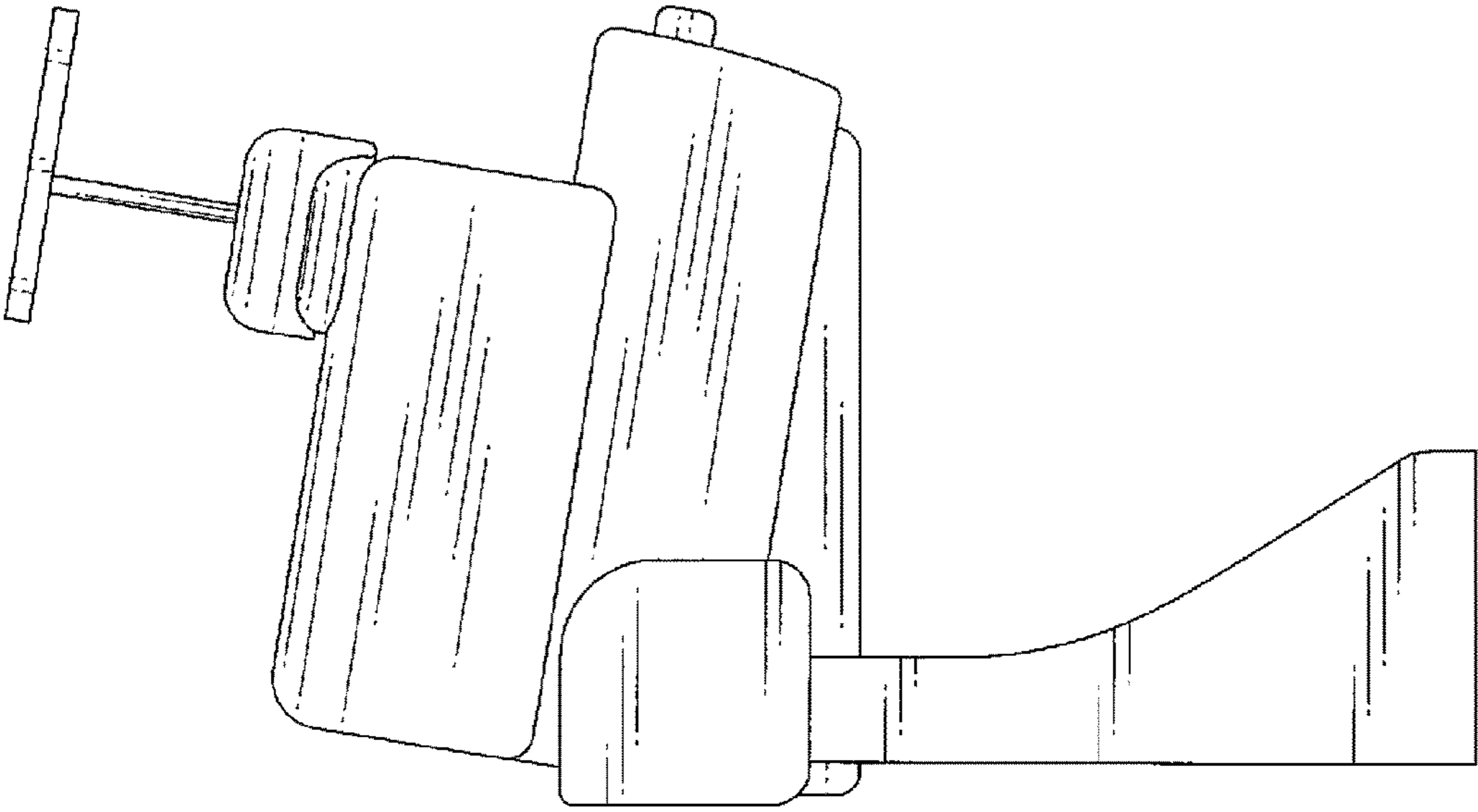




FIG. 10

