

US00D638121S

(12) **United States Design Patent**
Villasana

(10) **Patent No.:** **US D638,121 S**

(45) **Date of Patent:** **** May 17, 2011**

(54) **CATHETER CLAMP**

(76) Inventor: **Cuauhtemoc Villasana**, Dallas, TX
(US)

(**) Term: **14 Years**

(21) Appl. No.: **29/381,366**

(22) Filed: **Dec. 17, 2010**

(51) **LOC (9) Cl.** **24-02**

(52) **U.S. Cl.** **D24/128**

(58) **Field of Classification Search** D24/128,
D24/133, 143, 129; D8/390, 395; 248/74.2,
248/316.1; 24/499, 562-563, 536, 557, 293,
24/508, 910; 128/DIG. 25; 604/34, 151-153,
604/157, 250; 251/4, 6-7, 9-10

See application file for complete search history.

(56) **References Cited**

U.S. PATENT DOCUMENTS

4,053,135	A *	10/1977	Saliaris	251/10
4,170,995	A	10/1979	Levine et al.	
D283,918	S	5/1986	Jacobson	
D400,782	S *	11/1998	Nakamura	D8/395
D427,307	S *	6/2000	Guala et al.	D24/129
6,113,062	A *	9/2000	Schnell et al.	251/10
D431,650	S *	10/2000	Guala et al.	D24/129
6,161,812	A *	12/2000	Guala et al.	251/10
6,196,519	B1 *	3/2001	Utterberg	251/10
6,234,448	B1 *	5/2001	Porat	251/10
6,644,618	B1 *	11/2003	Balbo	251/10
7,549,200	B2	6/2009	McMichael et al.	
D619,711	S *	7/2010	Lombardo et al.	D24/143
7,749,199	B2	7/2010	Mogg	
2002/0169423	A1 *	11/2002	Zoltan et al.	604/250
2006/0015074	A1 *	1/2006	Lynn	604/250
2008/0029721	A1 *	2/2008	Miyahara	251/6
2008/0290303	A1 *	11/2008	Mackal	251/9
2008/0294122	A1 *	11/2008	Chesnin et al.	604/250
2010/0096570	A1 *	4/2010	Kashmirian et al.	251/9

2010/0168680	A1 *	7/2010	Callahan	604/250
2010/0168682	A1 *	7/2010	Braga et al.	604/250
2010/0268161	A1 *	10/2010	Traversaz	604/151
2010/0274268	A1 *	10/2010	Singh et al.	606/157

* cited by examiner

Primary Examiner — T. Chase Nelson

Assistant Examiner — Eric Goodman

(74) *Attorney, Agent, or Firm* — Garlitz Bell, LLP; Corby Bell

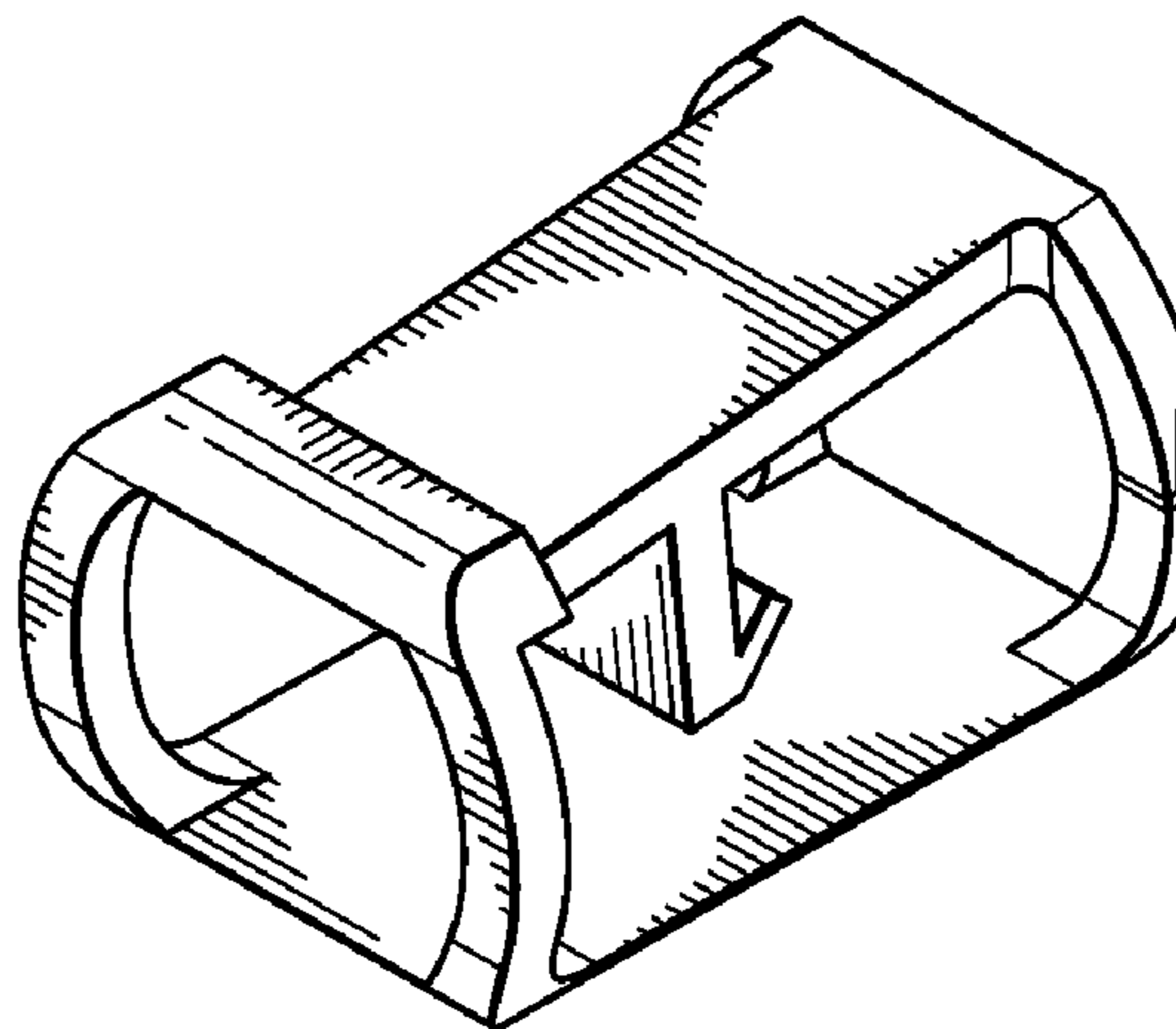
(57) **CLAIM**

The ornamental design for a catheter clamp, as shown and described.

DESCRIPTION

FIG. 1 is a front perspective view of a catheter clamp in the closed position showing my new design;
 FIG. 2 is a rear elevational view thereof;
 FIG. 3 is a front elevational view thereof;
 FIG. 4 is a left side elevational view thereof;
 FIG. 5 is a right side elevational view thereof;
 FIG. 6 is a top plan view thereof;
 FIG. 7 is a bottom plan view thereof;
 FIG. 8 is a rear perspective view thereof;
 FIG. 9 is a front perspective view of a catheter clamp in the open position showing my new design;
 FIG. 10 is a front elevational view thereof;
 FIG. 11 is a rear elevational view thereof;
 FIG. 12 is left side elevational view thereof;
 FIG. 13 is right side elevational view thereof;
 FIG. 14 is a top plan view thereof;
 FIG. 15 is a bottom plan view thereof; and,
 FIG. 16 is a rear perspective view thereof.

1 Claim, 4 Drawing Sheets



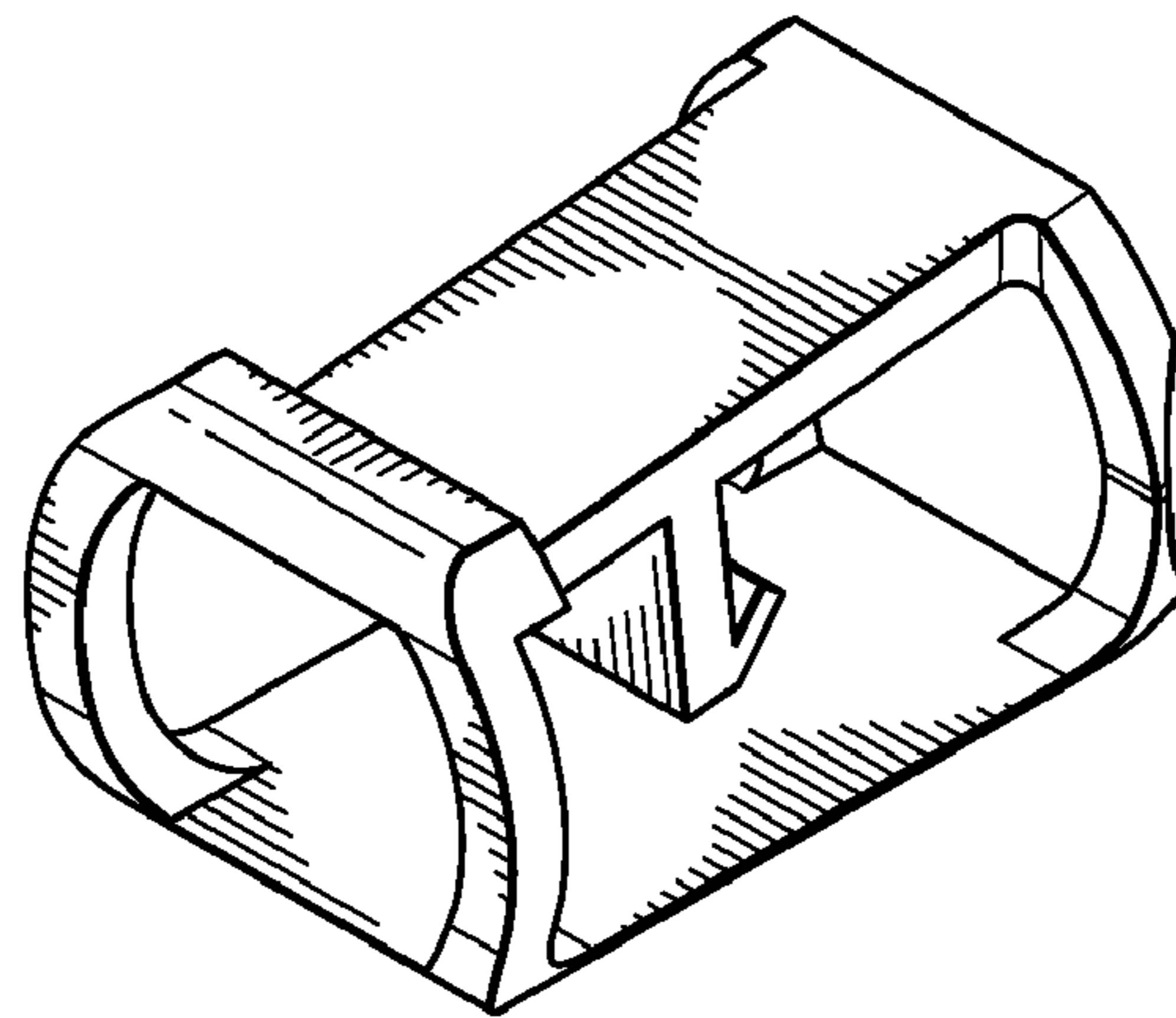


FIG. 1

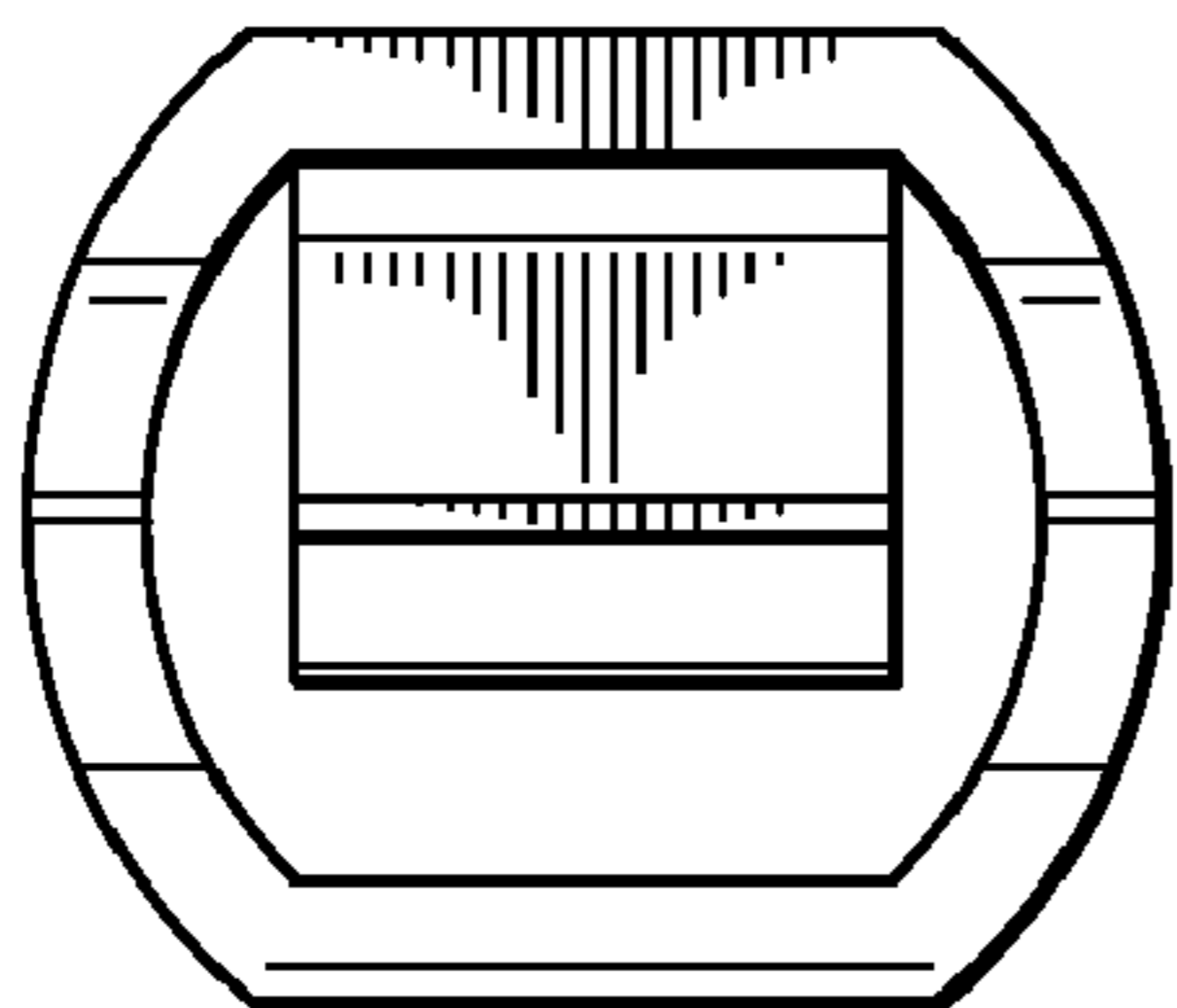


FIG. 2

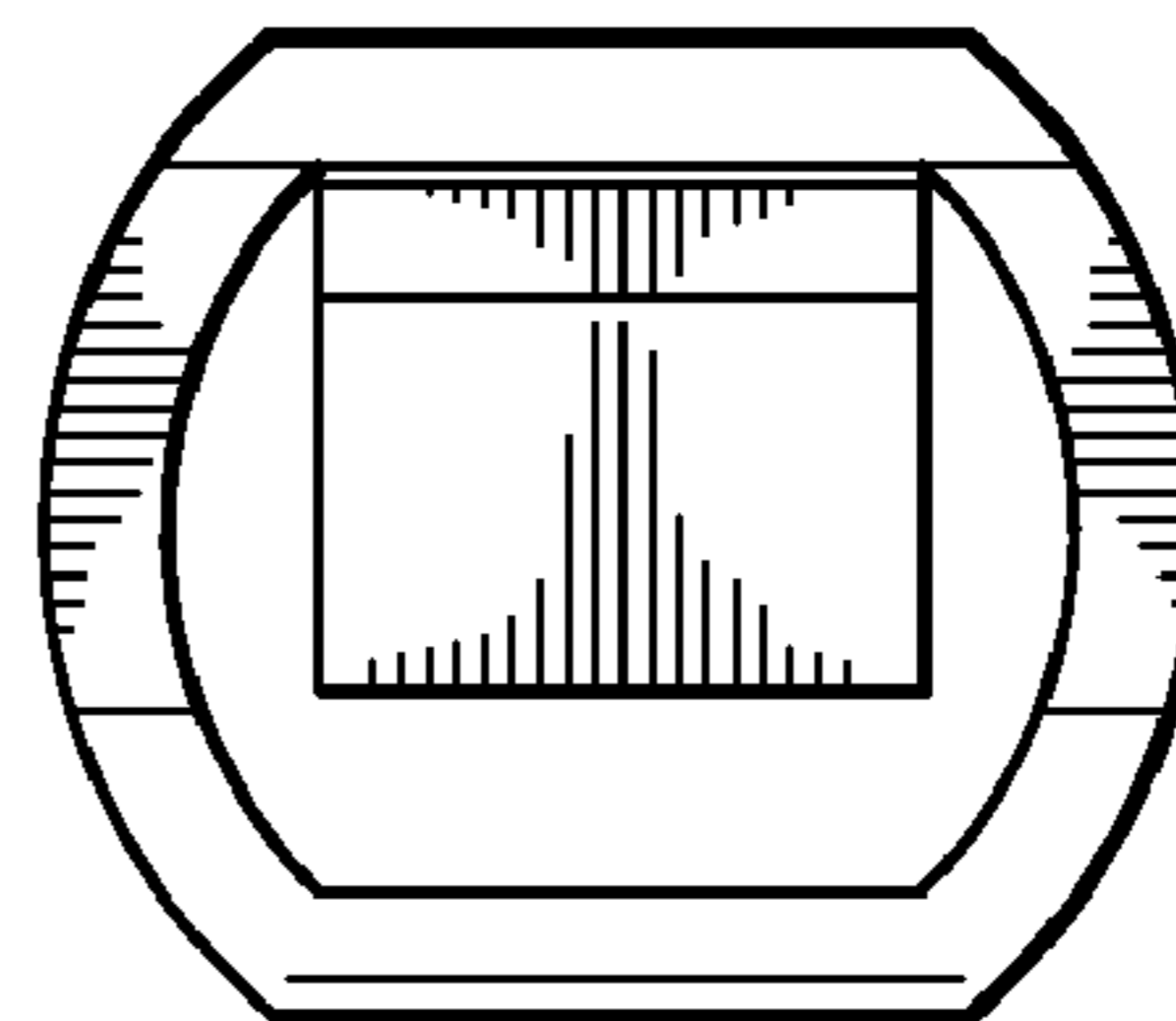


FIG. 3

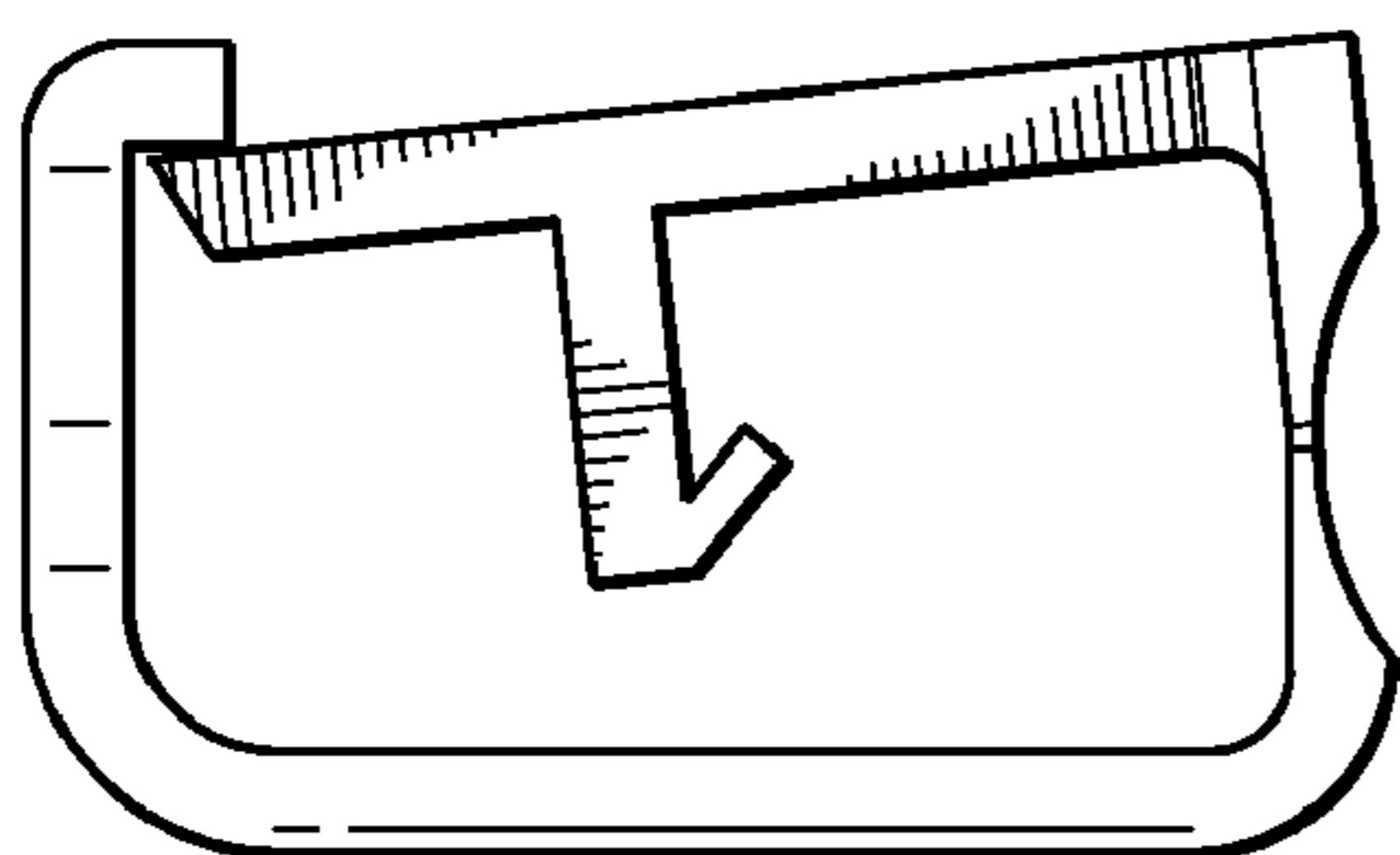


FIG. 4

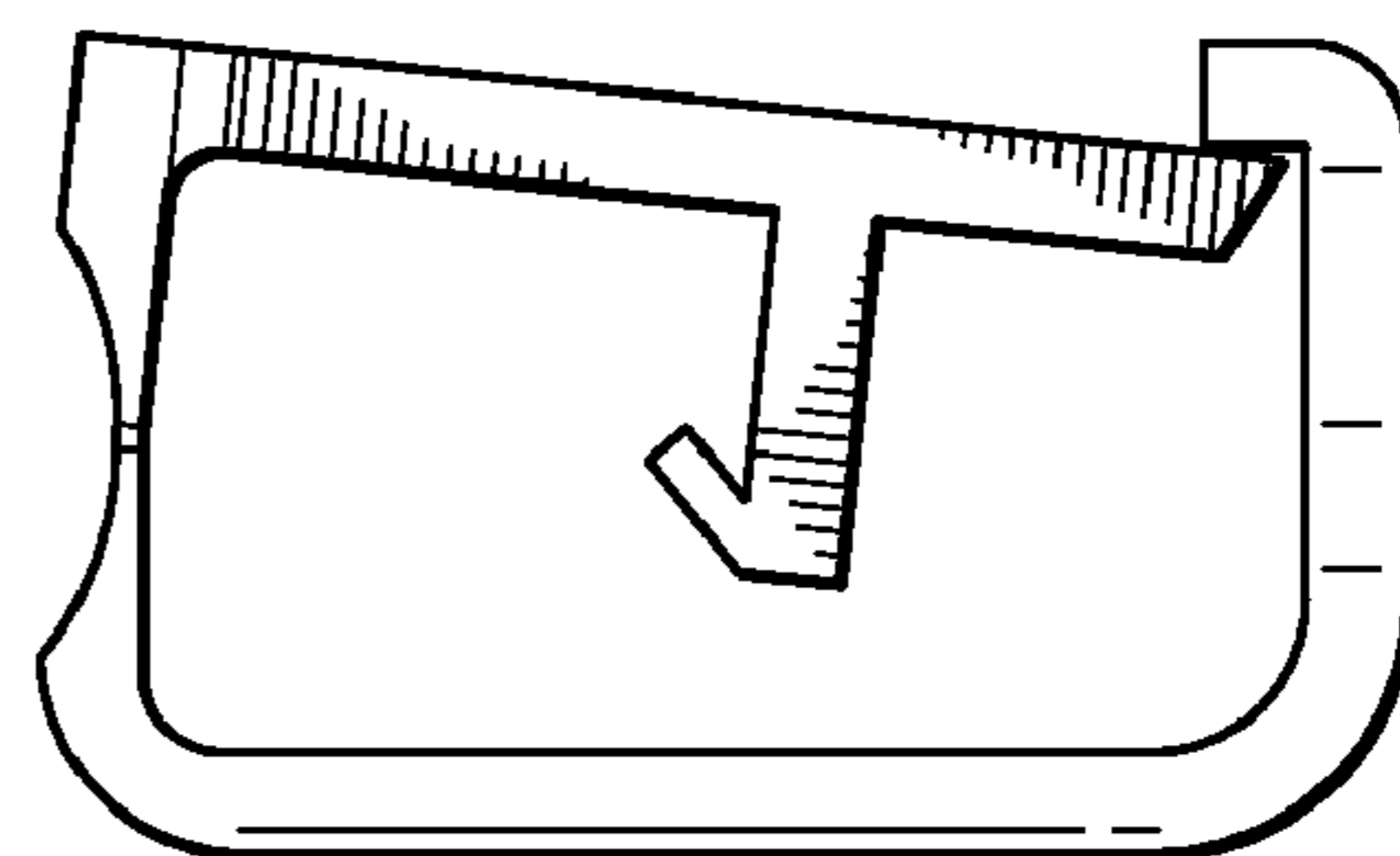


FIG. 5

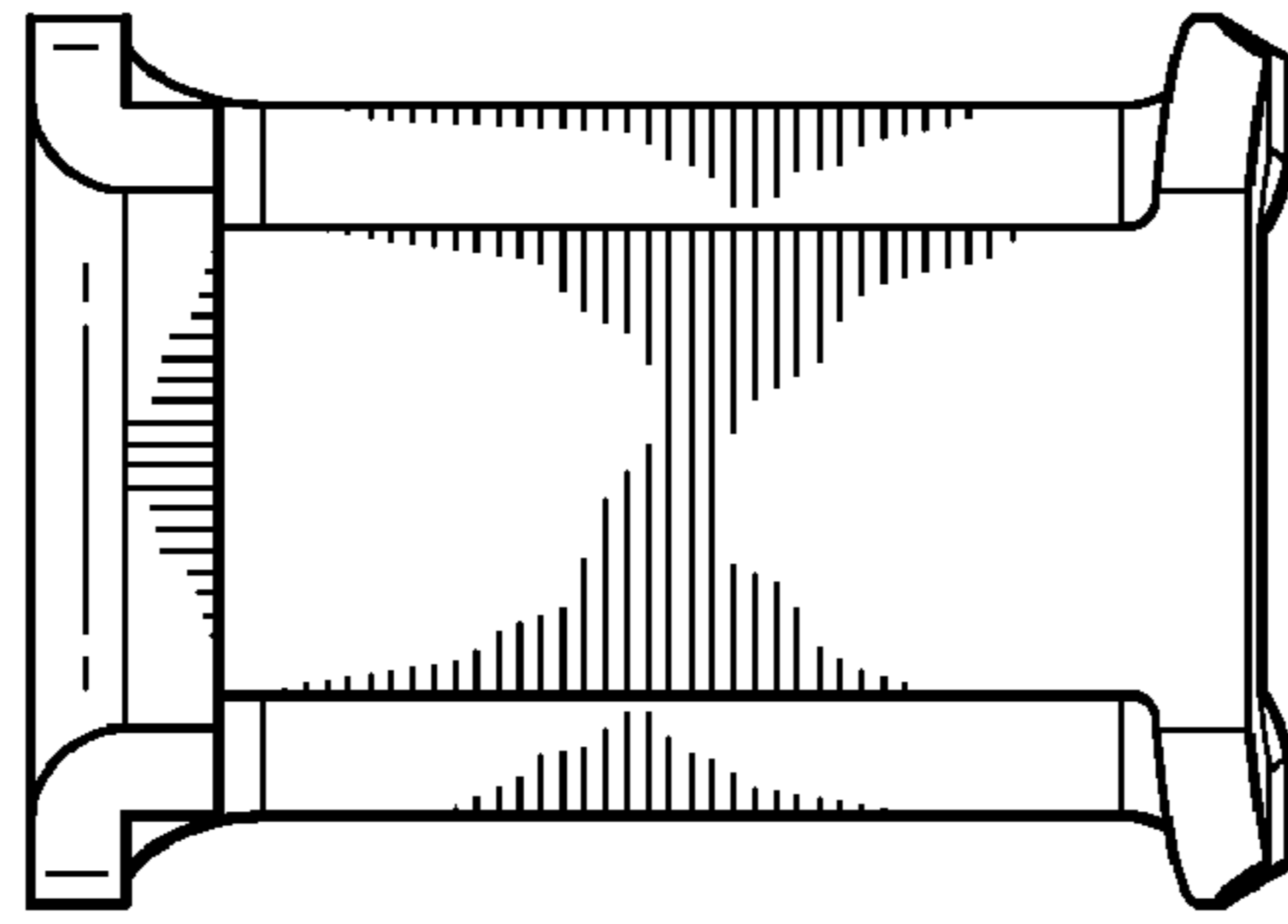


FIG. 6

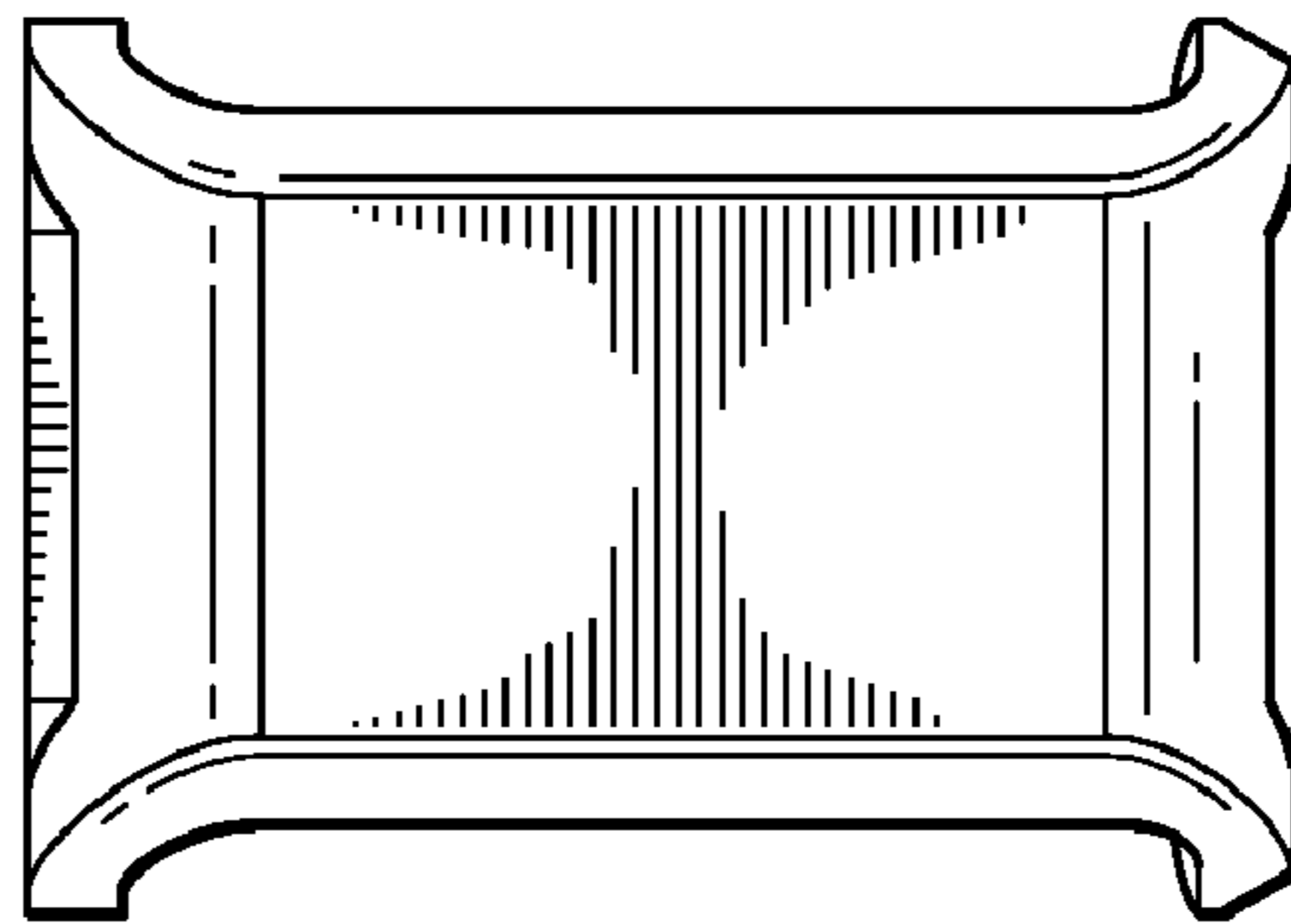


FIG. 7

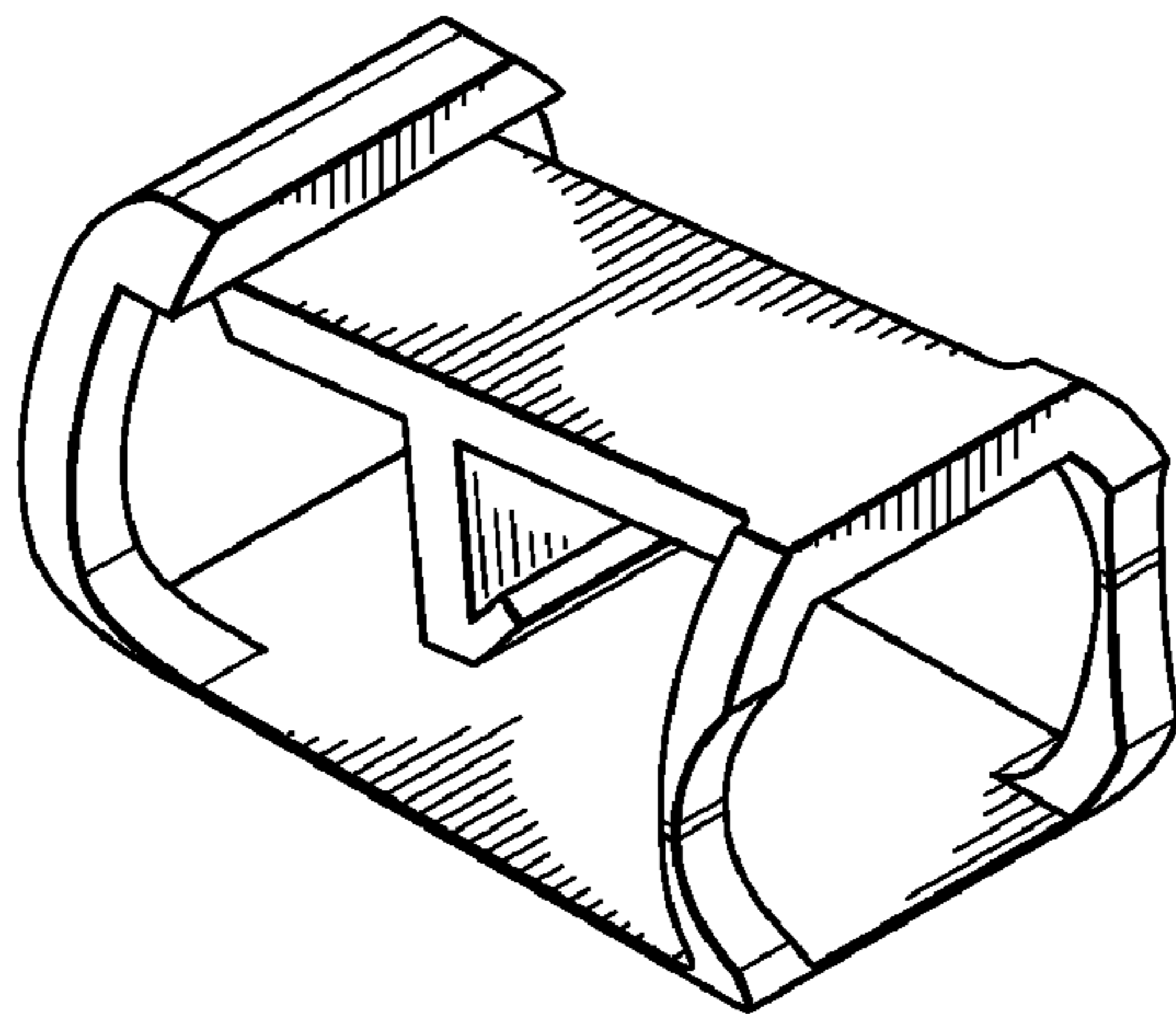


FIG. 8

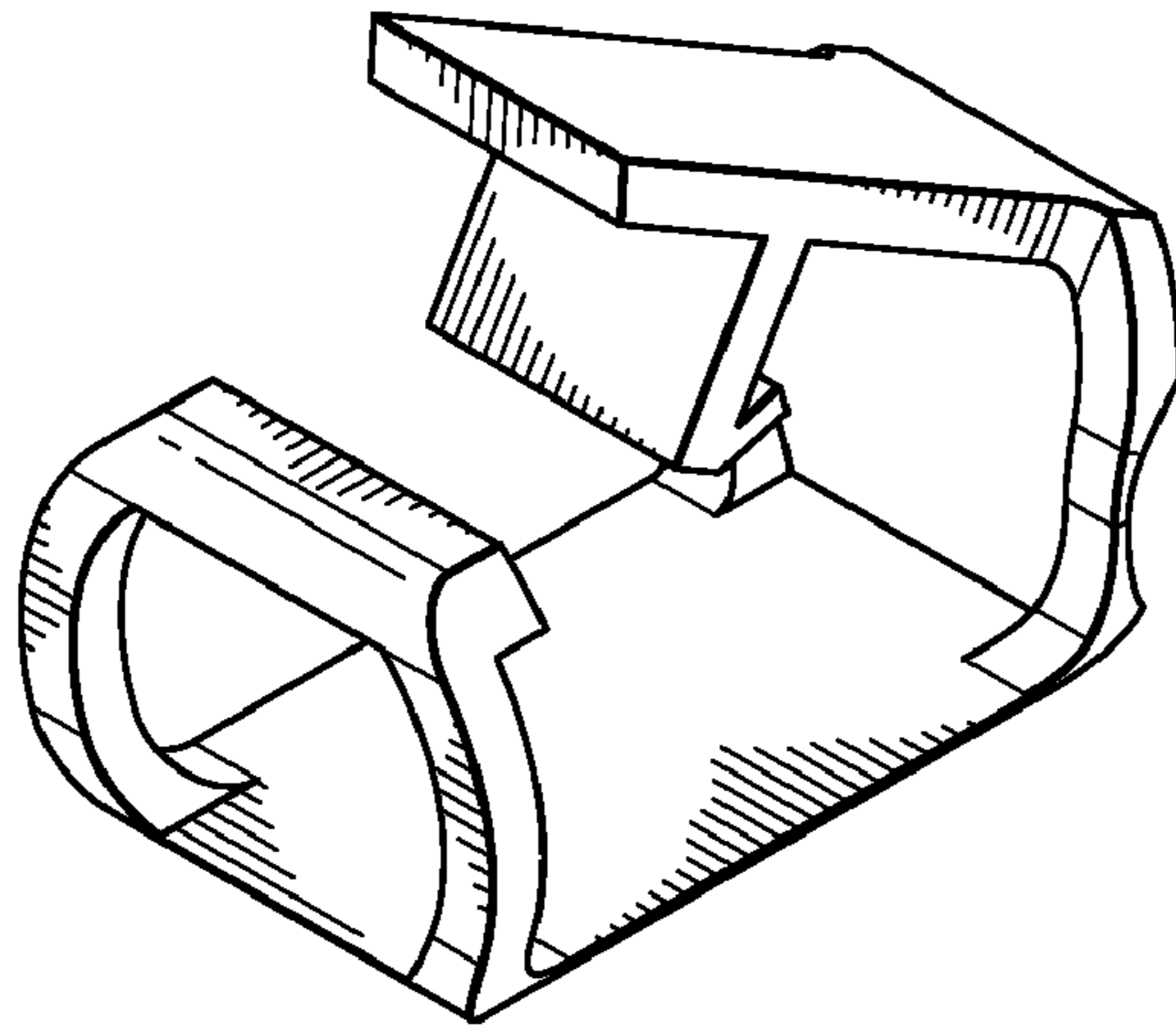


FIG. 9

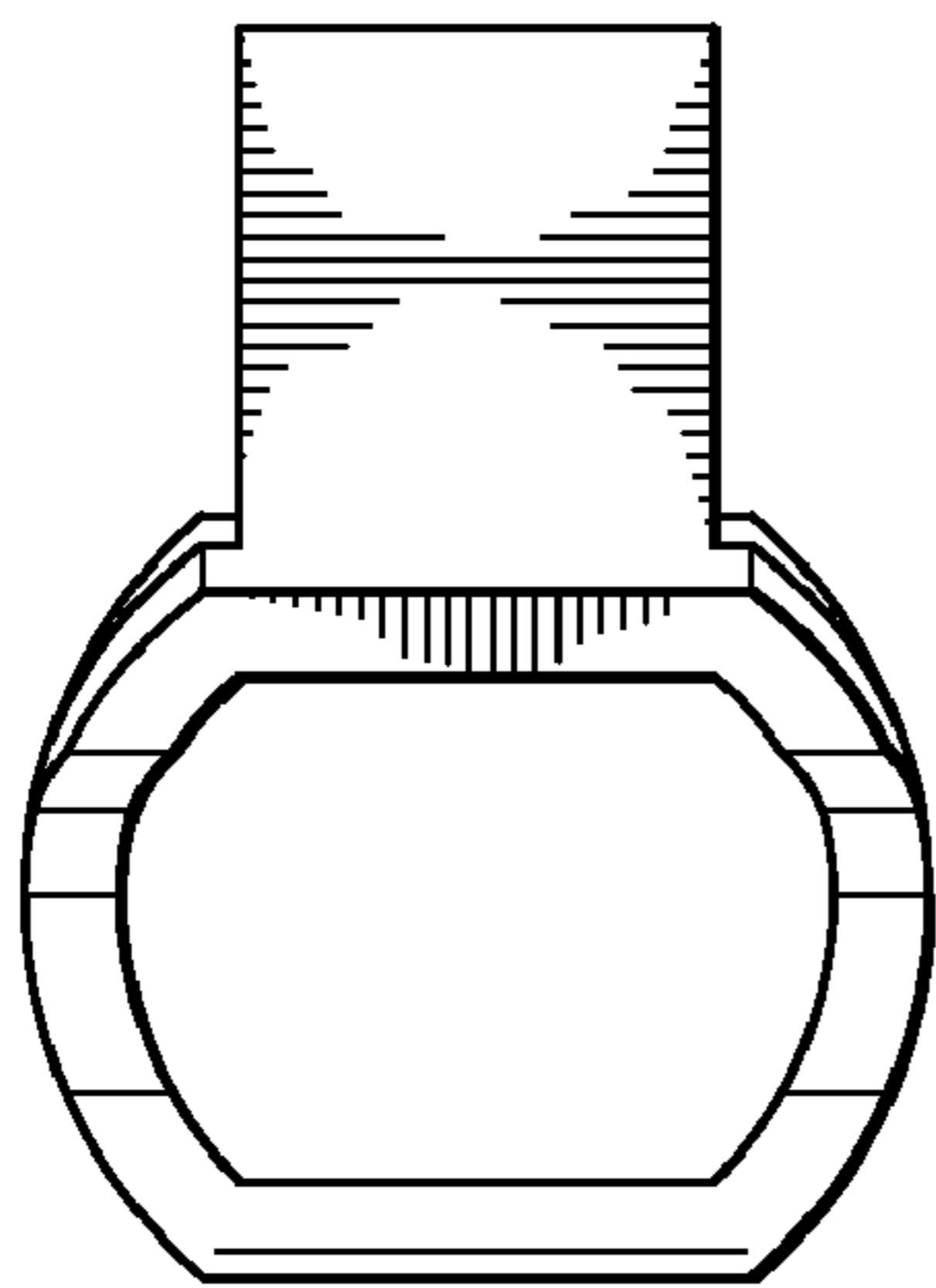


FIG. 11

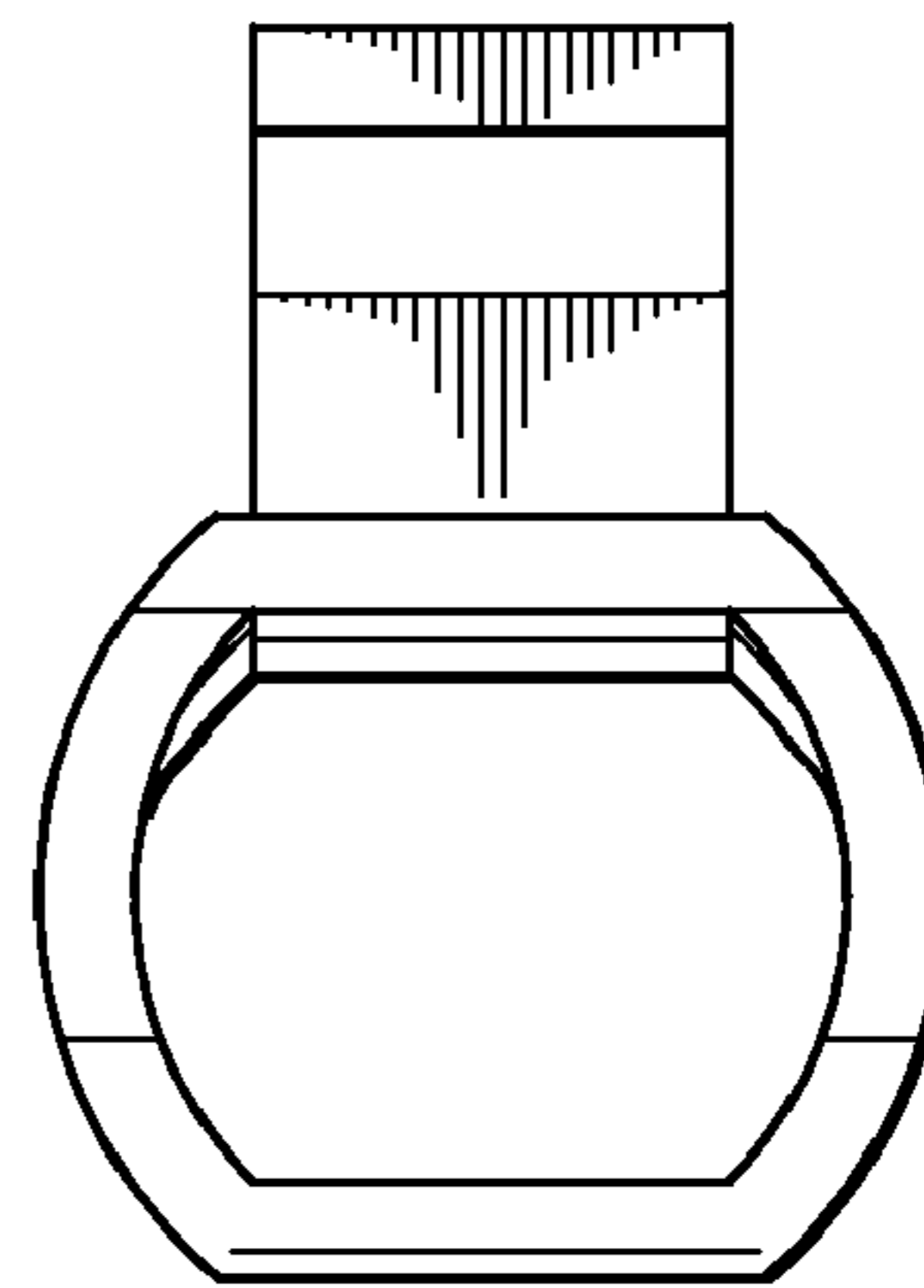


FIG. 10

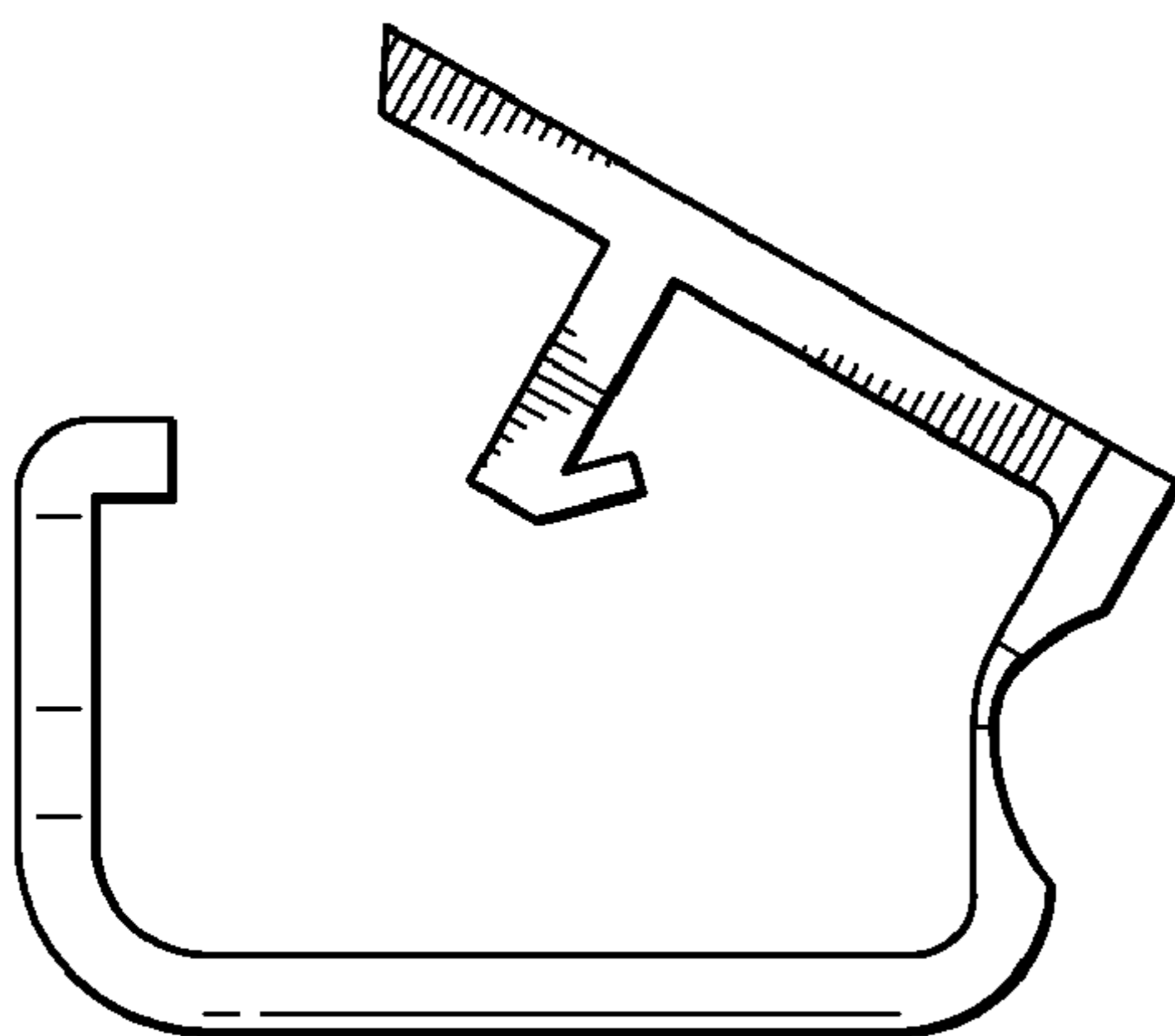


FIG. 12

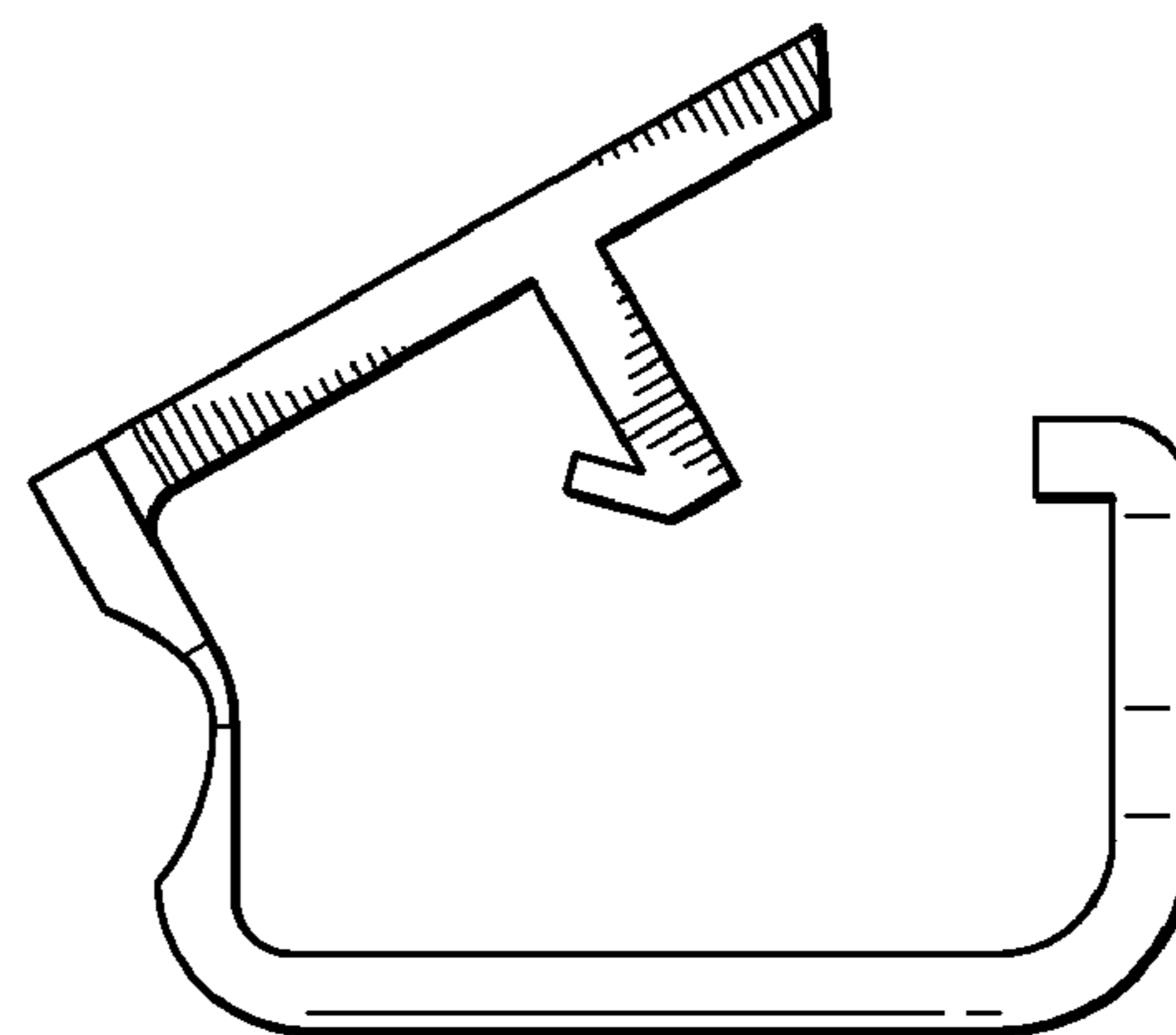


FIG. 13

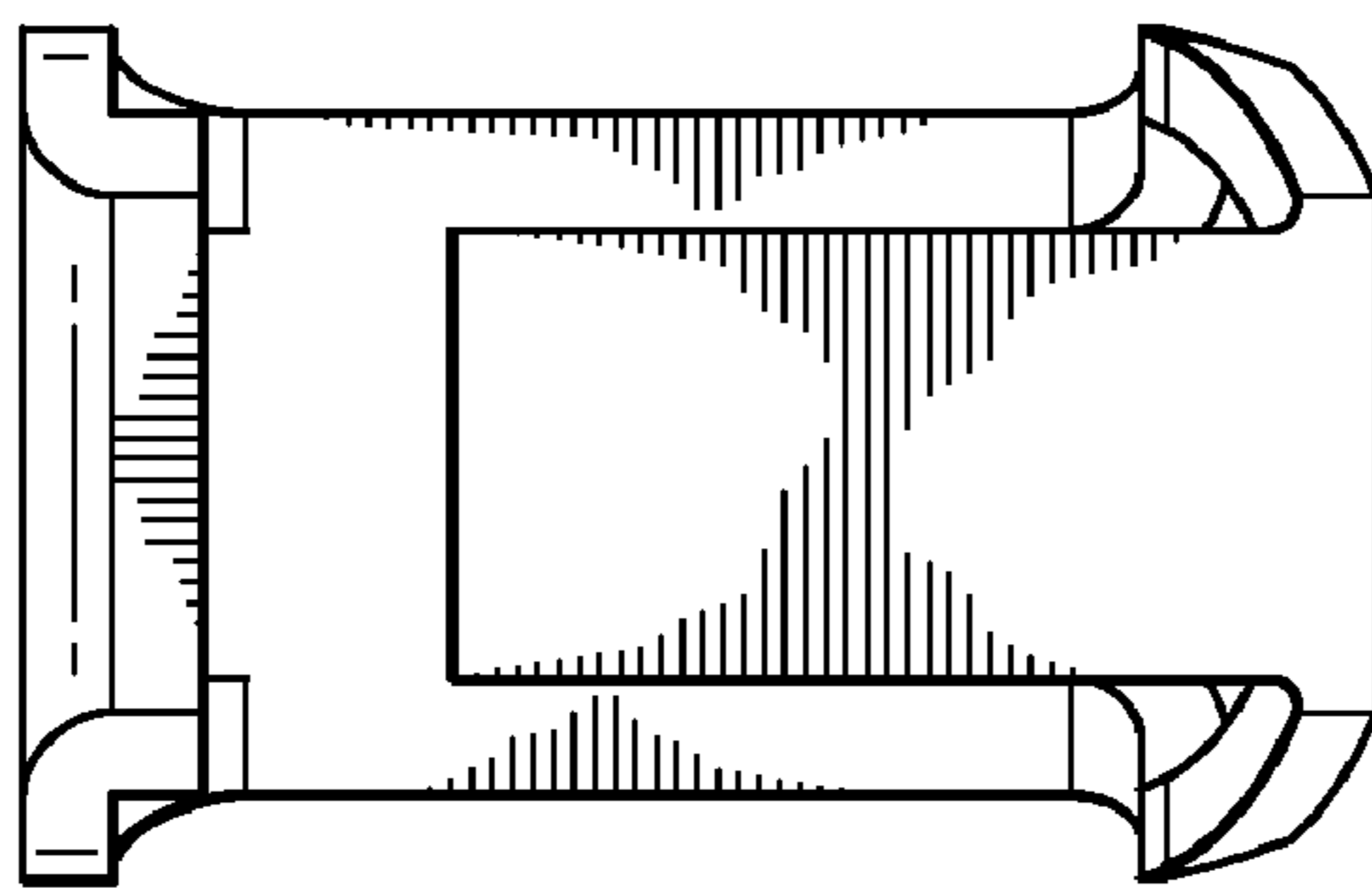


FIG. 14

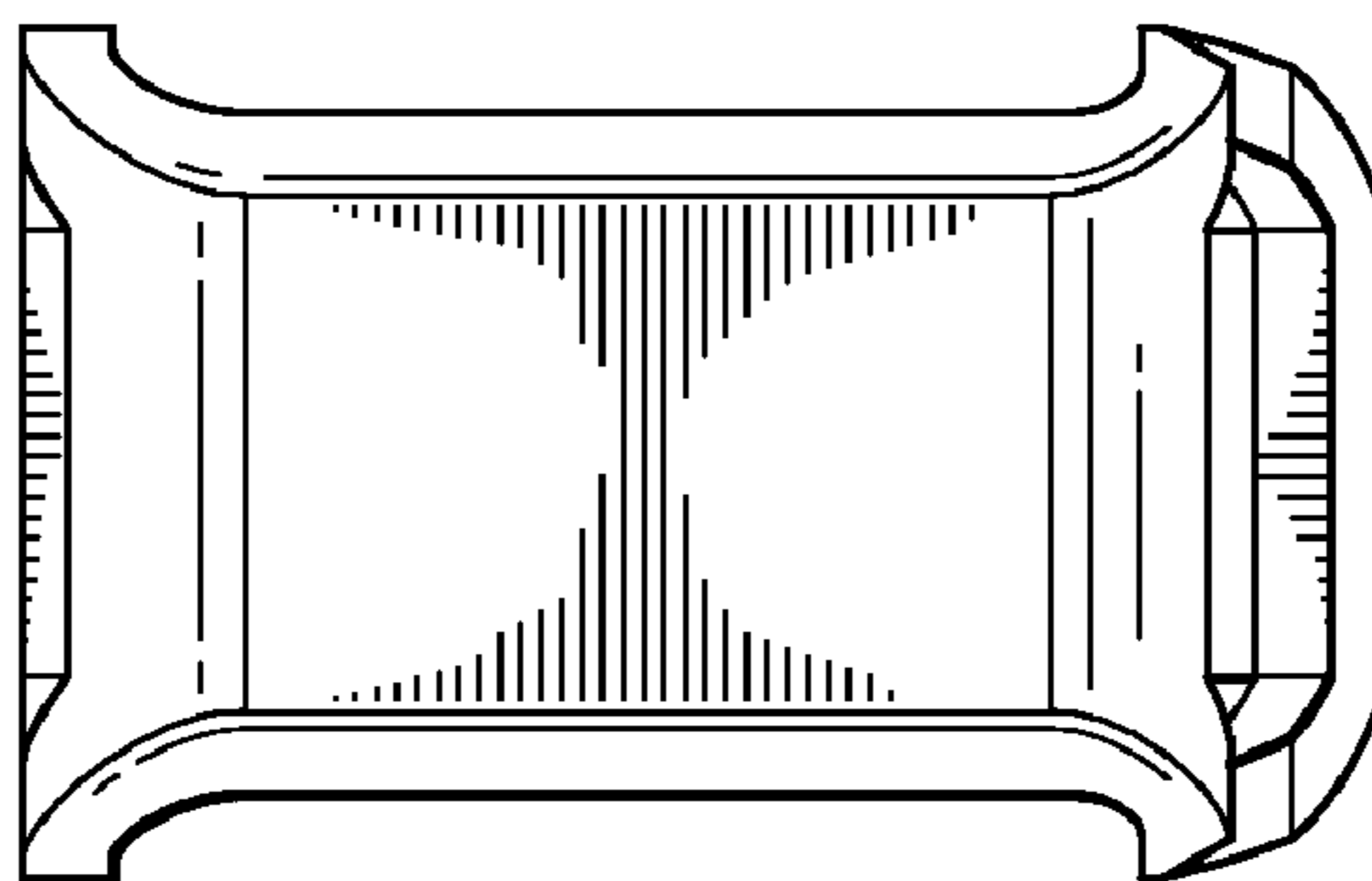


FIG. 15

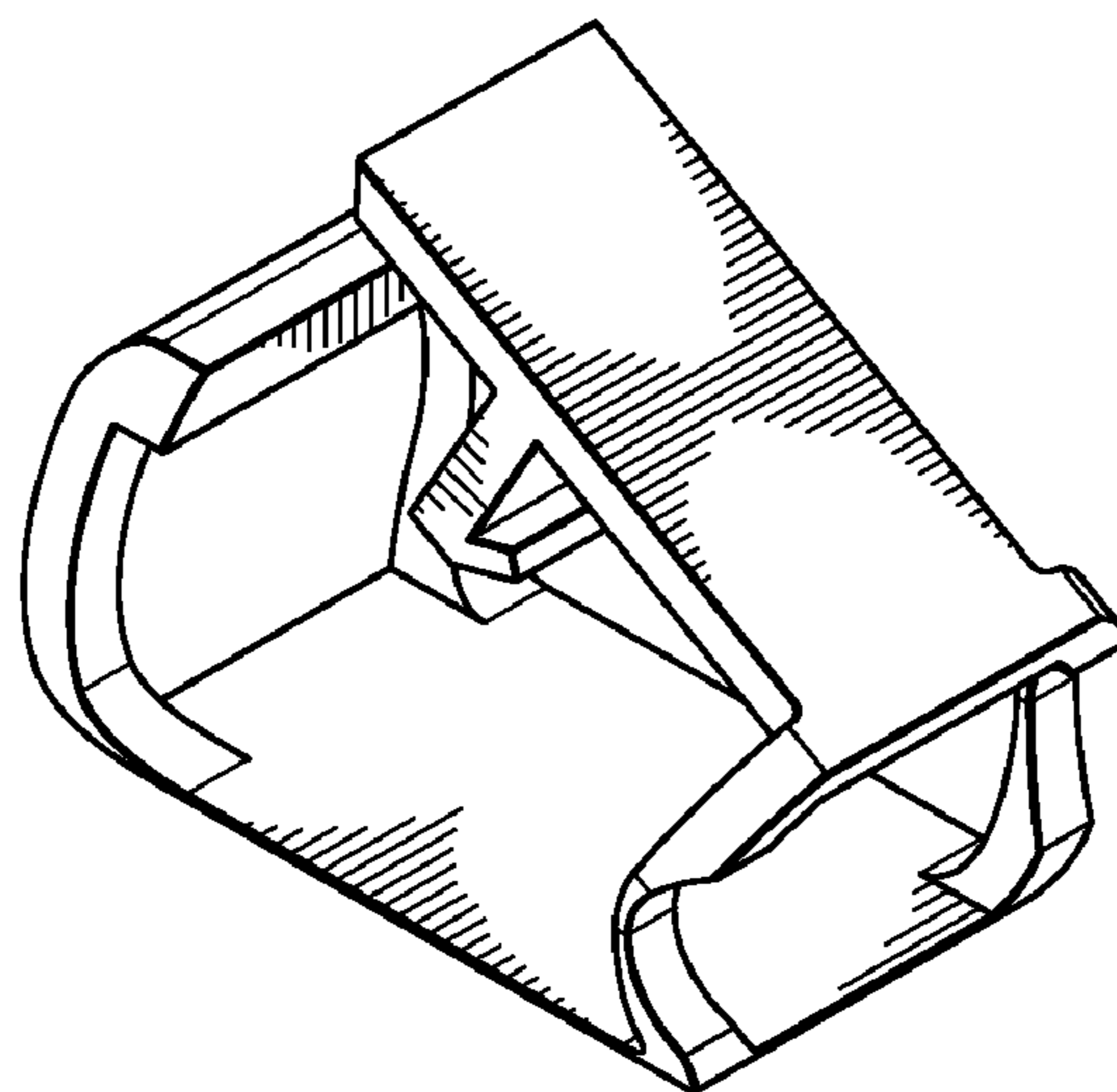


FIG. 16