



US00D638117S

(12) **United States Design Patent**
Eckstein et al.

(10) **Patent No.:** **US D638,117 S**

(45) **Date of Patent:** **** May 17, 2011**

(54) **INHALATION THERAPY NEBULISER**

(75) Inventors: **Stefan Eckstein**, Munich (DE);
Manuela Moldenau, Munich (DE)

(73) Assignee: **PARI GmbH**, Starnberg (DE)

(**) Term: **14 Years**

(21) Appl. No.: **29/245,709**

(22) Filed: **Dec. 28, 2005**

(30) **Foreign Application Priority Data**

Jun. 28, 2005 (DE) 000 371 695

(51) **LOC (9) Cl.** **29-02**

(52) **U.S. Cl.** **D24/110**

(58) **Field of Classification Search** D24/110,
D24/129, 110.5, 164; 128/200.14, 200.18,
128/200.21, 200.22, 200.23, 203.12, 203.15,
128/203.21, 911; D9/435, 447, 448, 449
See application file for complete search history.

(56) **References Cited**

U.S. PATENT DOCUMENTS

2,785,923	A *	3/1957	Hickman	239/307
D244,057	S *	4/1977	Aul et al.	D24/110
4,595,002	A *	6/1986	Michaels et al.	128/200.21
4,767,576	A *	8/1988	Bagwell	261/16
D300,896	S *	5/1989	Hagan et al.	D7/300.1
D315,602	S *	3/1991	Howe	D24/110
D331,281	S *	11/1992	Levine	D24/110
D337,636	S *	7/1993	Kocinski	D24/110
D411,616	S *	6/1999	Retallick, III	D24/110
D431,634	S *	10/2000	Mantz	D23/263

D441,069	S *	4/2001	Hammarlund et al.	D24/110
D480,305	S *	10/2003	Nusbaum et al.	D9/447
D534,801	S *	1/2007	McMurrey et al.	D9/448

* cited by examiner

Primary Examiner — Ian Simmons

Assistant Examiner — Christopher Lee

(74) *Attorney, Agent, or Firm* — Wolf, Greenfield & Sacks, P.C.

(57) **CLAIM**

The ornamental design for an inhalation therapy nebuliser, as shown and described.

DESCRIPTION

FIG. 1 is a top, rear right side perspective view of the invention, the broken-line representation forming no part of the claimed design;

FIG. 2 is rear elevational view of the invention, the broken-line representation forming no part of the claimed design;

FIG. 3 is a right side elevational view of the invention, the broken-line representation forming no part of the claimed design;

FIG. 4 is a left side elevational view of the invention, the broken-line representation forming no part of the claimed design;

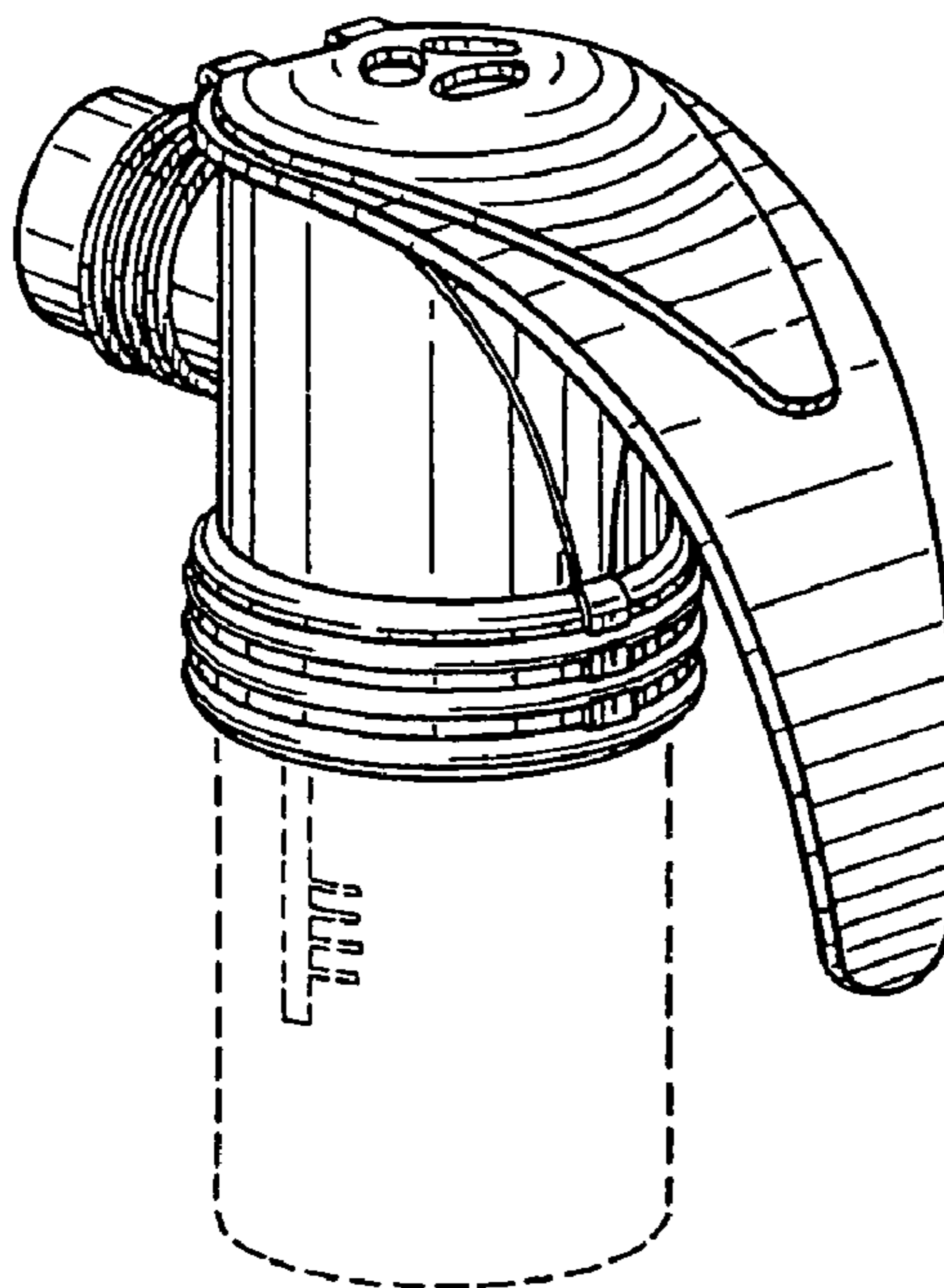
FIG. 5 is a front elevational view of the invention, the broken-line representation forming no part of the claimed design;

FIG. 6 is a top plan view of the invention;

FIG. 7 is bottom plan view of the invention, the broken-line representation forming no part of the claimed design; and,

FIG. 8 is a top, rear right side perspective view of the invention with a cover open, the broken-line representation forming no part of the claimed design.

1 Claim, 2 Drawing Sheets



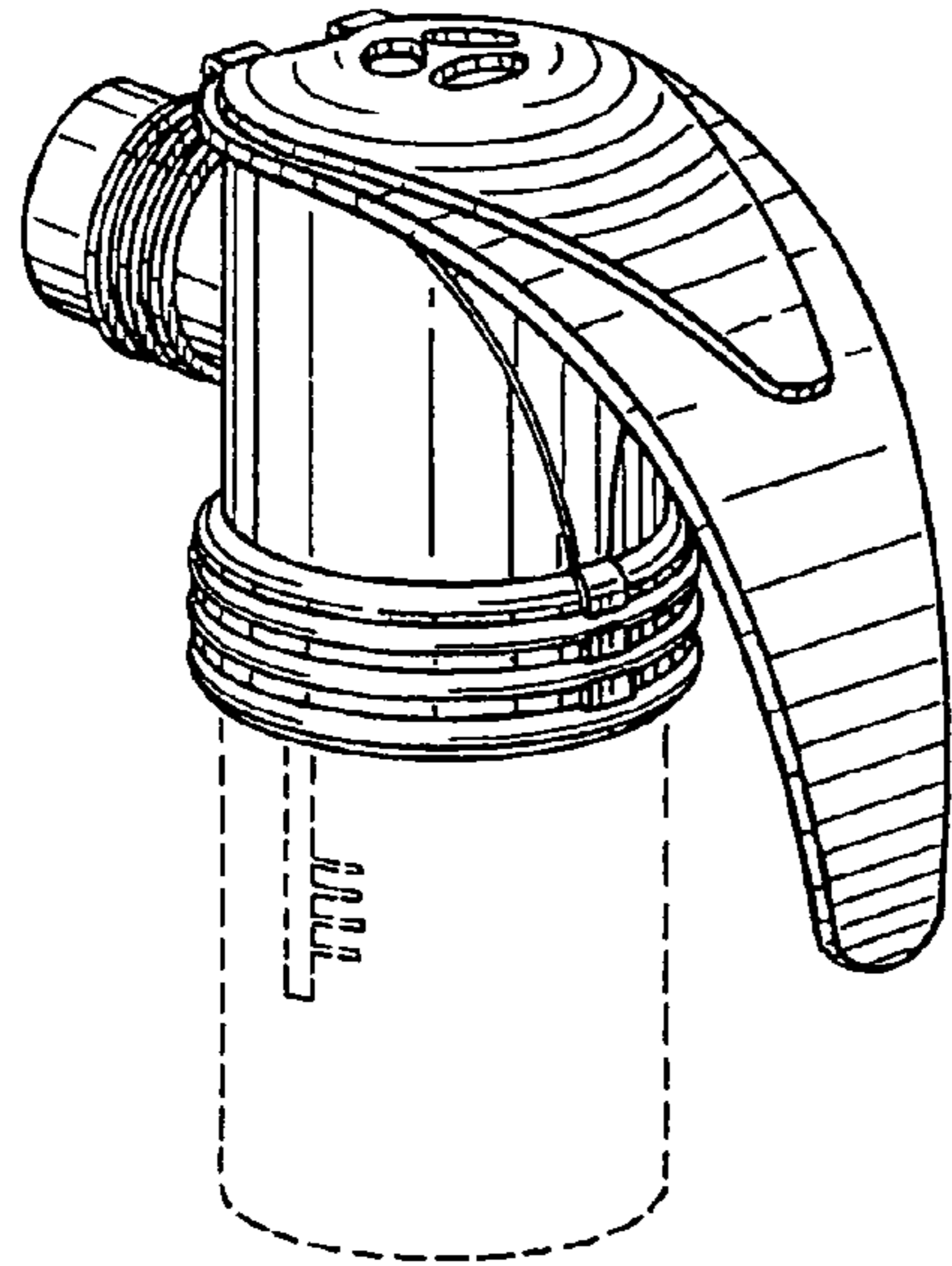


Fig. 1

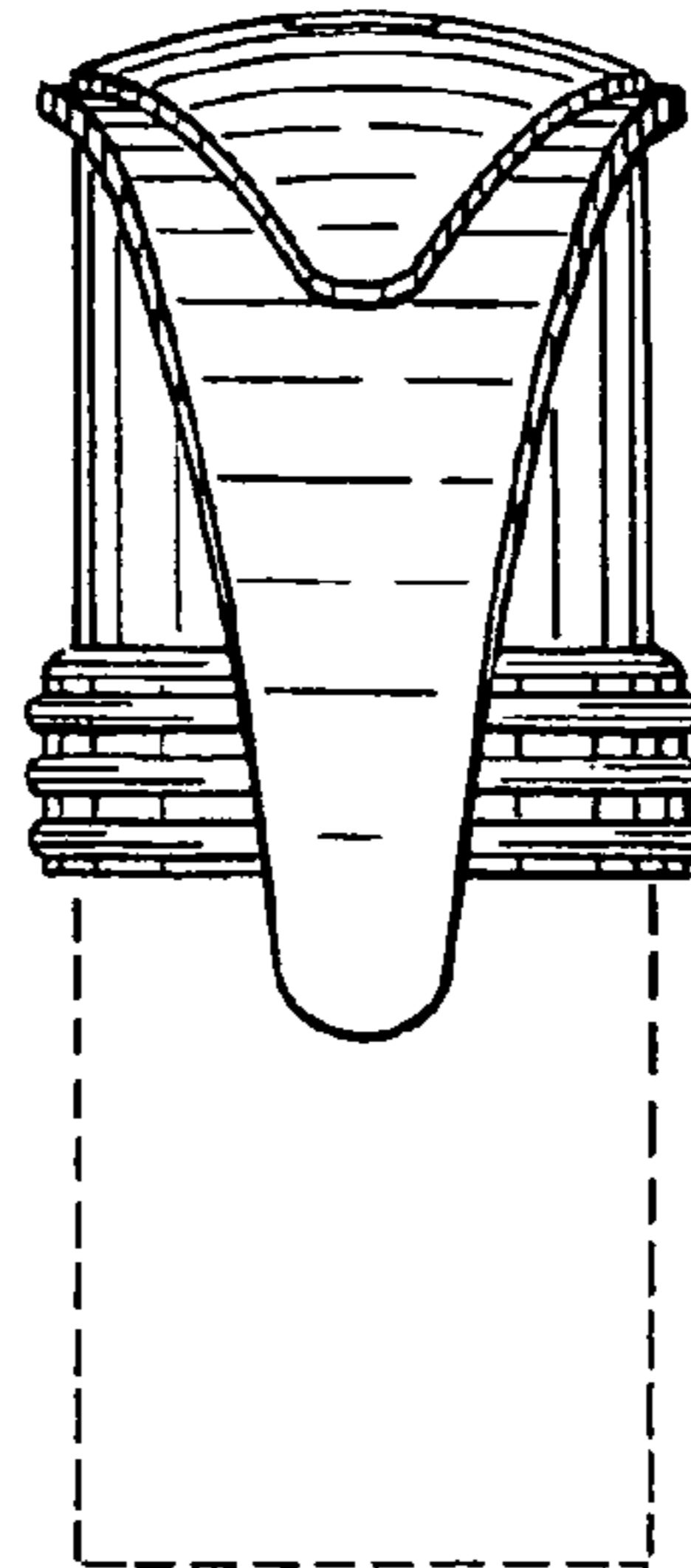


Fig. 2

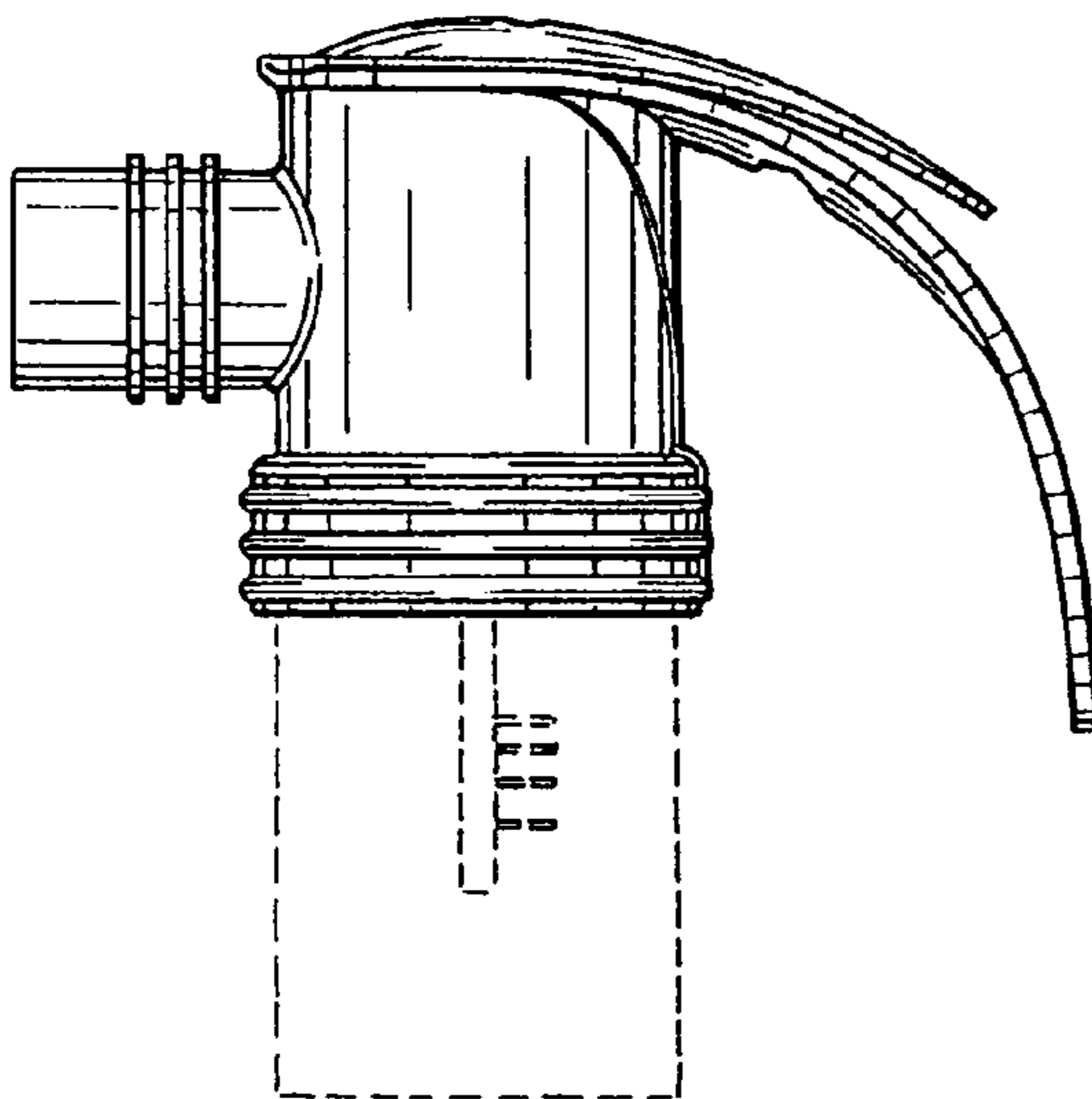


Fig. 3

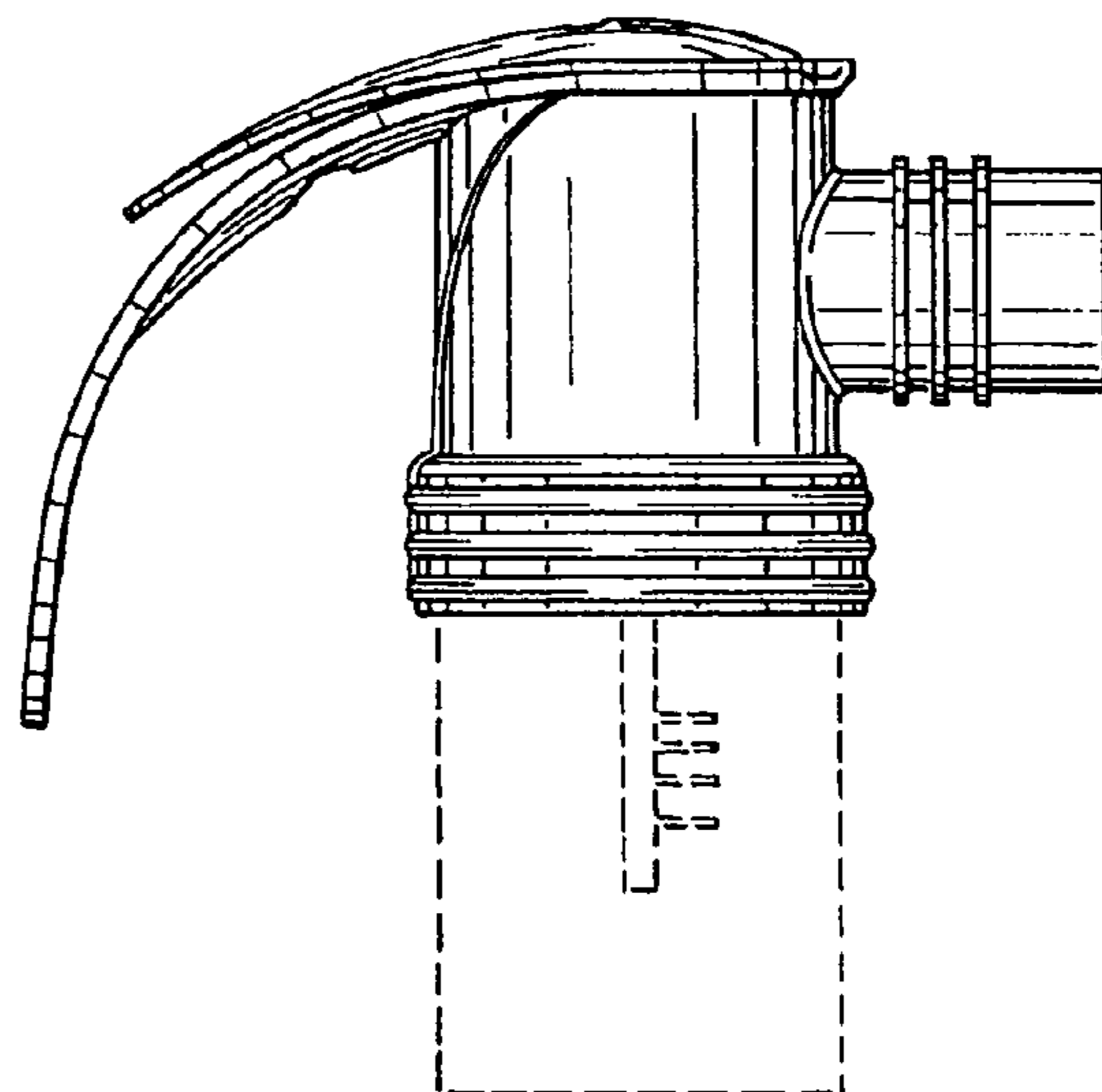


Fig. 4

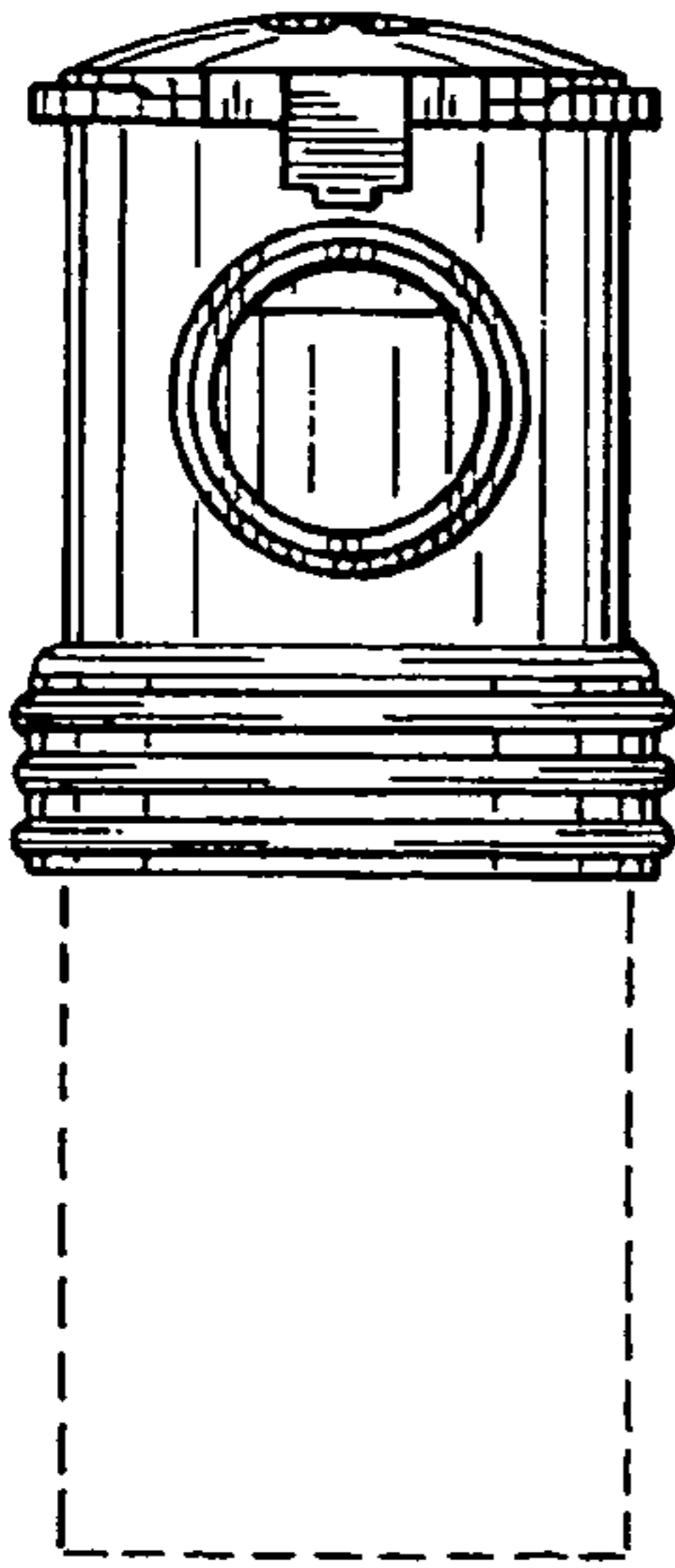


Fig. 5

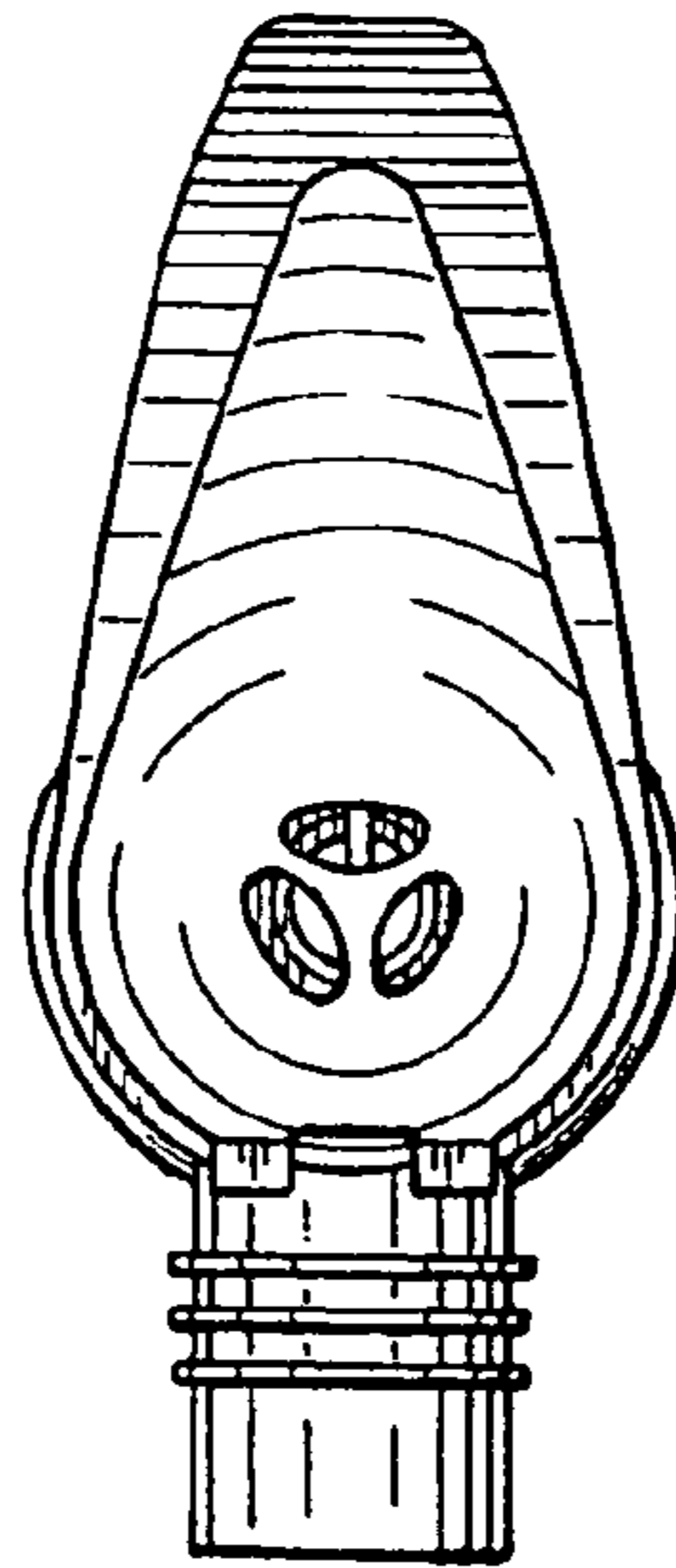


Fig. 6

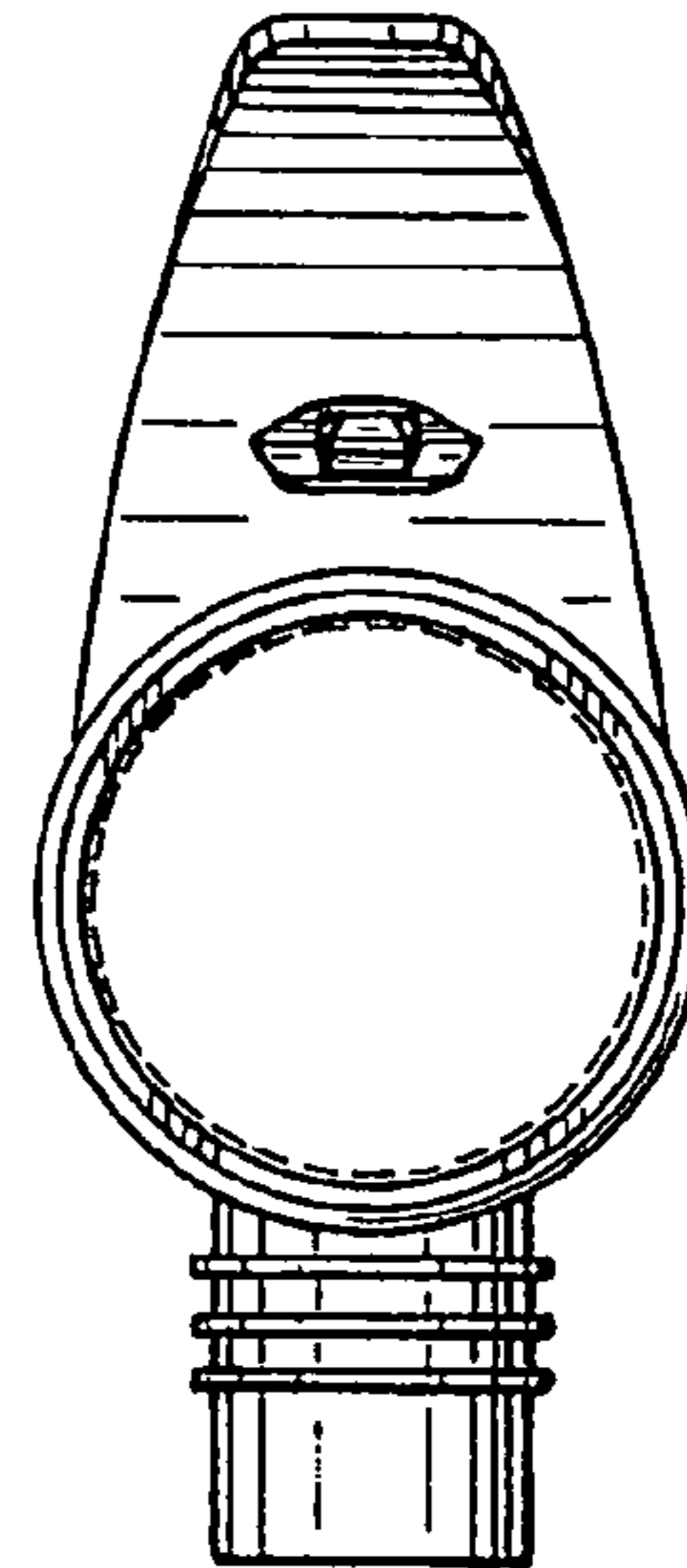


Fig. 7

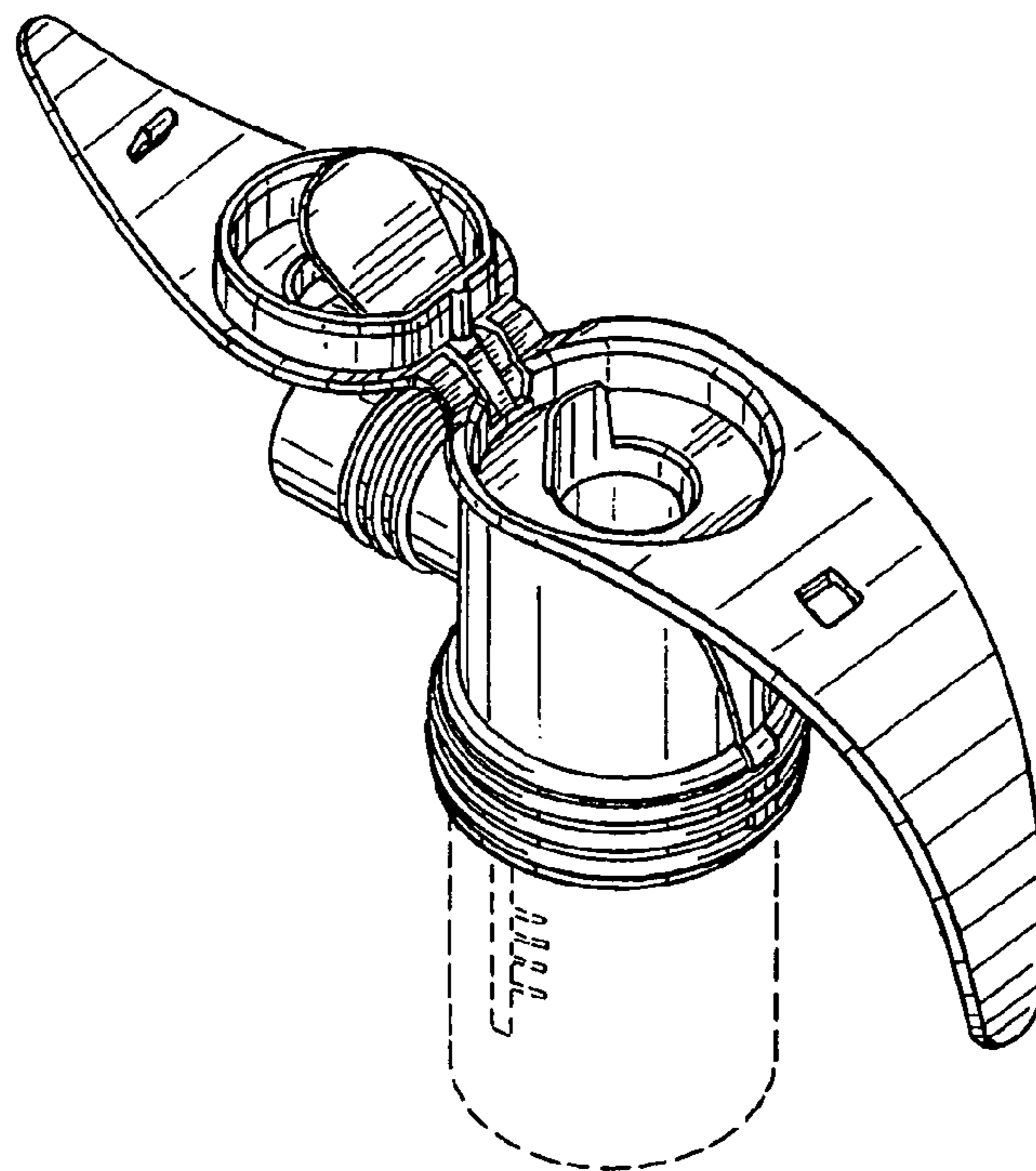


Fig. 8

UNITED STATES PATENT AND TRADEMARK OFFICE
CERTIFICATE OF CORRECTION

PATENT NO. : D638,117 S
APPLICATION NO. : 29/245709
DATED : May 17, 2011
INVENTOR(S) : Stefan Eckstein et al.

Page 1 of 1

It is certified that error appears in the above-identified patent and that said Letters Patent is hereby corrected as shown below:

ON THE TITLE PAGE, in the Foreign Application Priority Data, item (30), the country code
“(DE)” should read --EM--.

Signed and Sealed this
Third Day of January, 2012

A handwritten signature in black ink that reads "David J. Kappos". The signature is written in a cursive style with a large initial "D" and "K".

David J. Kappos
Director of the United States Patent and Trademark Office