



US00D638114S

(12) **United States Design Patent**
Li et al.

(10) **Patent No.:** **US D638,114 S**

(45) **Date of Patent:** **** May 17, 2011**

(54) **FAN**

(76) Inventors: **Yonghai Li**, Guangdong (CN); **Zhongli Xu**, Guangdong (CN); **Lou Gu**, Guangdong (CN)

(**) Term: **14 Years**

(21) Appl. No.: **29/369,072**

(22) Filed: **Sep. 1, 2010**

(30) **Foreign Application Priority Data**

Jul. 15, 2010 (CN) 201030238868

(51) **LOC (9) Cl.** **23-04**

(52) **U.S. Cl.** **D23/370**

(58) **Field of Classification Search** D23/382,
D23/381, 370, 413, 411, 412; 416/244 R,
416/246, 247 R; D6/309

See application file for complete search history.

(56) **References Cited**

U.S. PATENT DOCUMENTS

D598,532 S * 8/2009 Dyson et al. D23/370
D602,143 S * 10/2009 Gammack et al. D23/370

D602,144 S * 10/2009 Dyson et al. D23/370
D605,748 S * 12/2009 Gammack et al. D23/370

* cited by examiner

Primary Examiner — Lisa P Lichtenstein

(74) *Attorney, Agent, or Firm* — Global IP Services; Tianhua Gu

(57) **CLAIM**

The ornamental design for a fan, as shown and described.

DESCRIPTION

FIG. 1 is a front elevation view of a fan showing our new design;

FIG. 2 is a rear elevation view thereof;

FIG. 3 is a left side elevation view thereof;

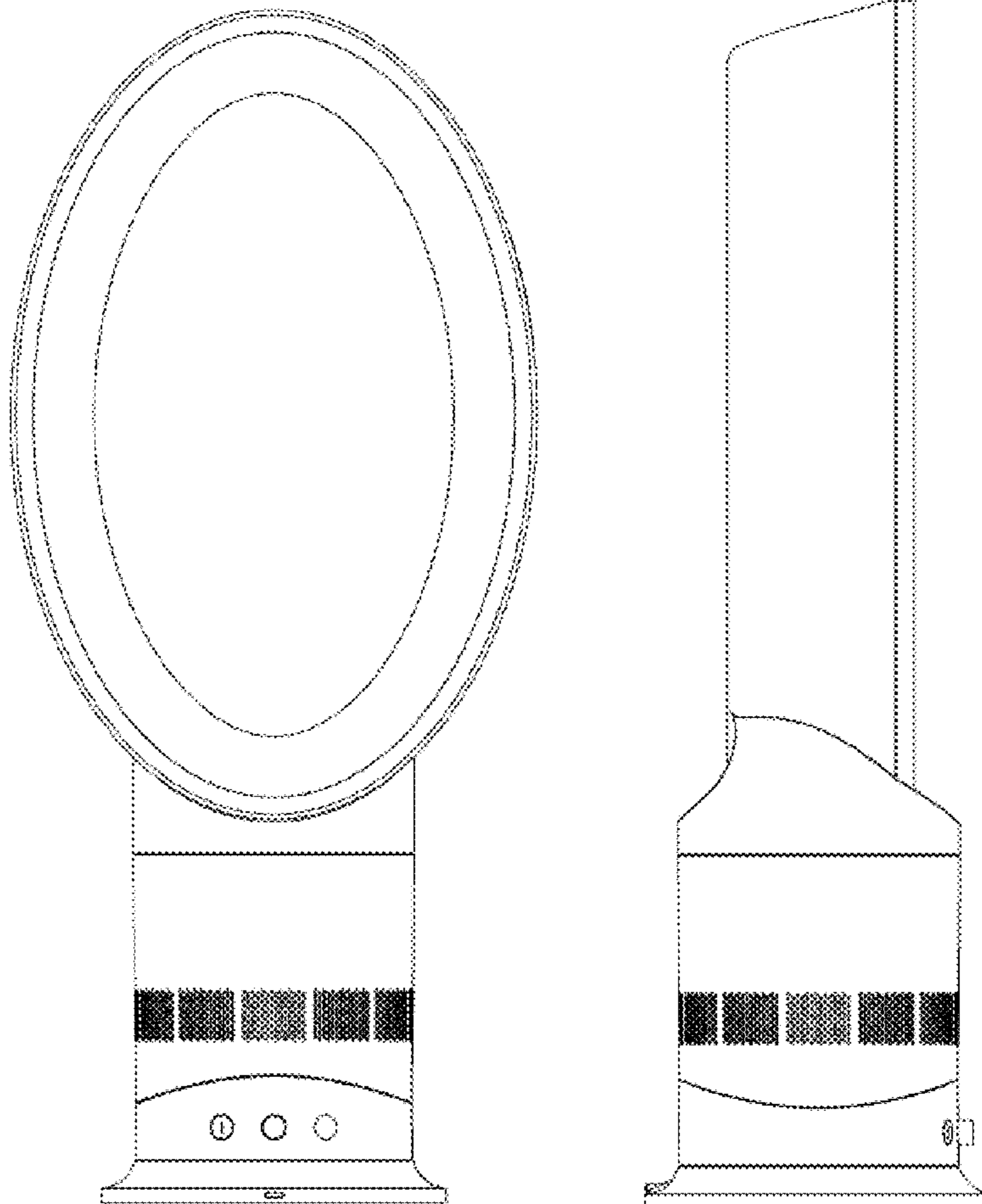
FIG. 4 is a right side elevation view thereof.

FIG. 5 is a bottom plan view thereof;

FIG. 6 is a top plan view thereof; and,

FIG. 7 is a right side perspective view thereof.

1 Claim, 7 Drawing Sheets



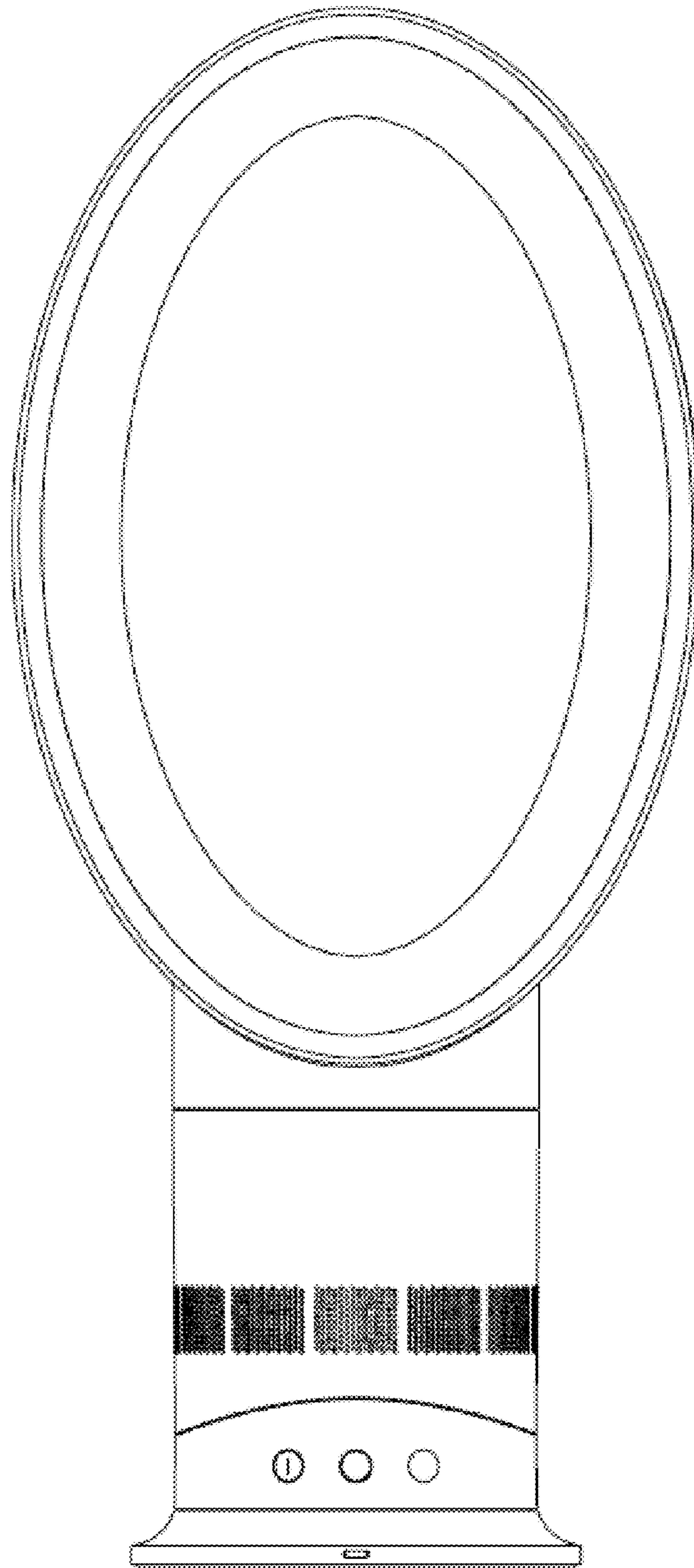


Fig 1

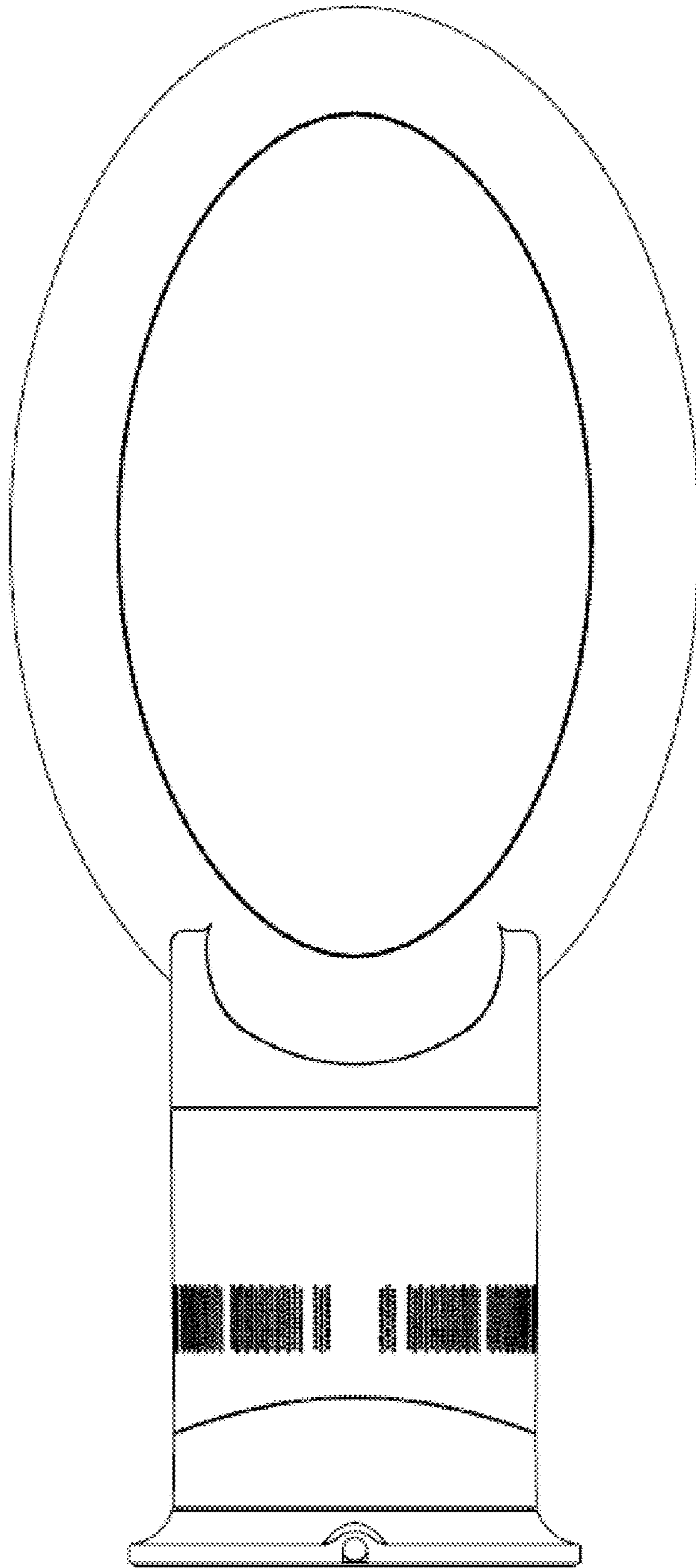


Fig 2

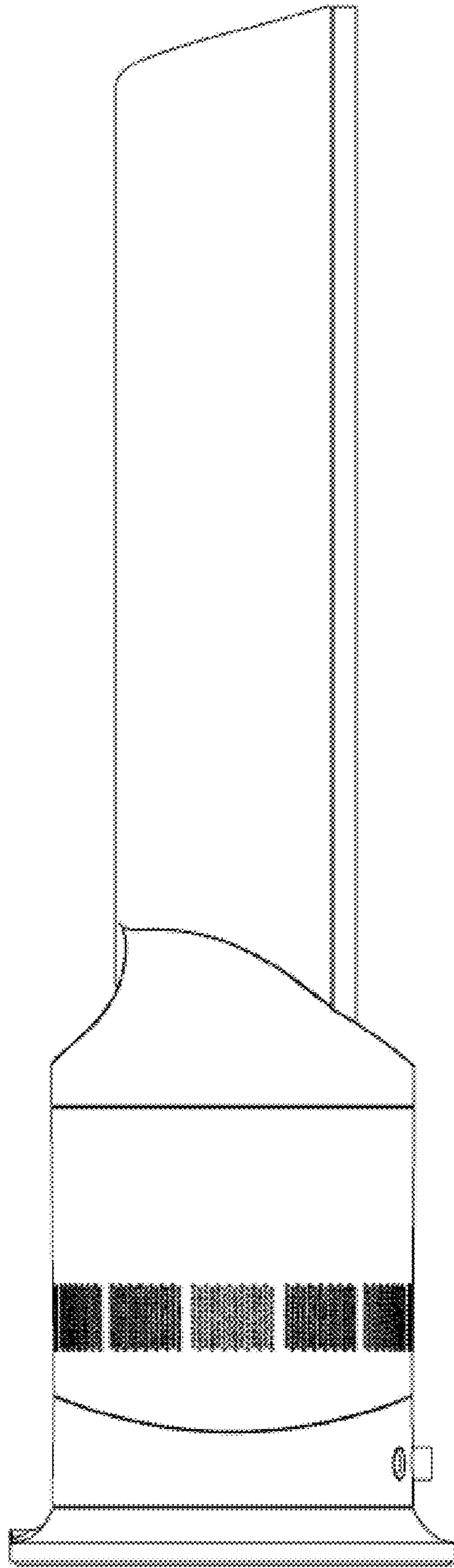


Fig 3

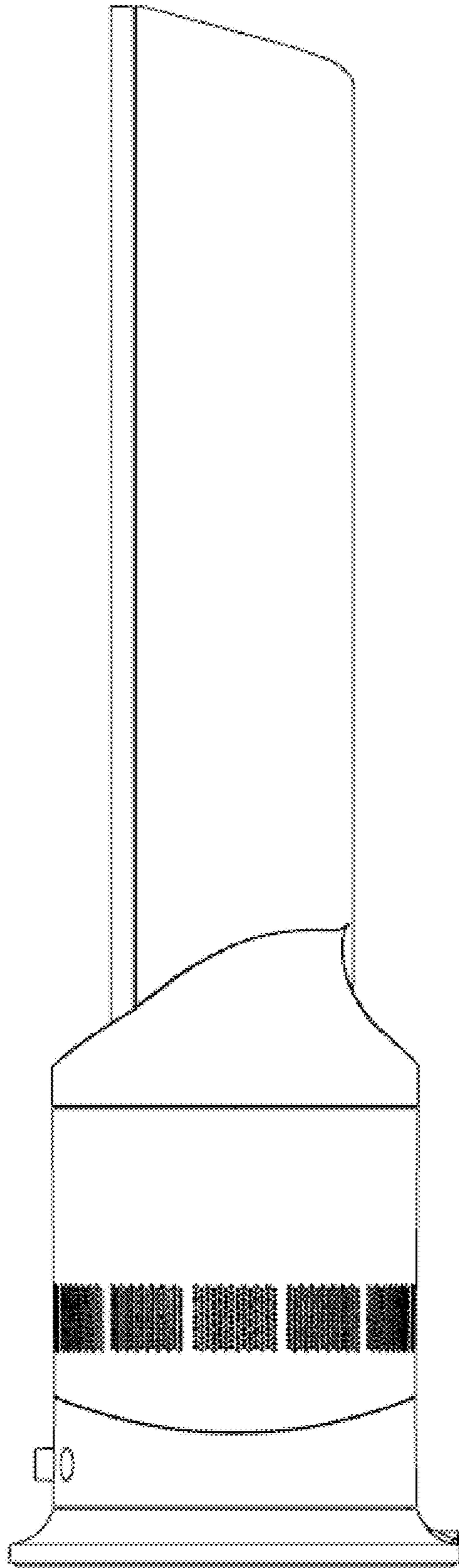


Fig 4

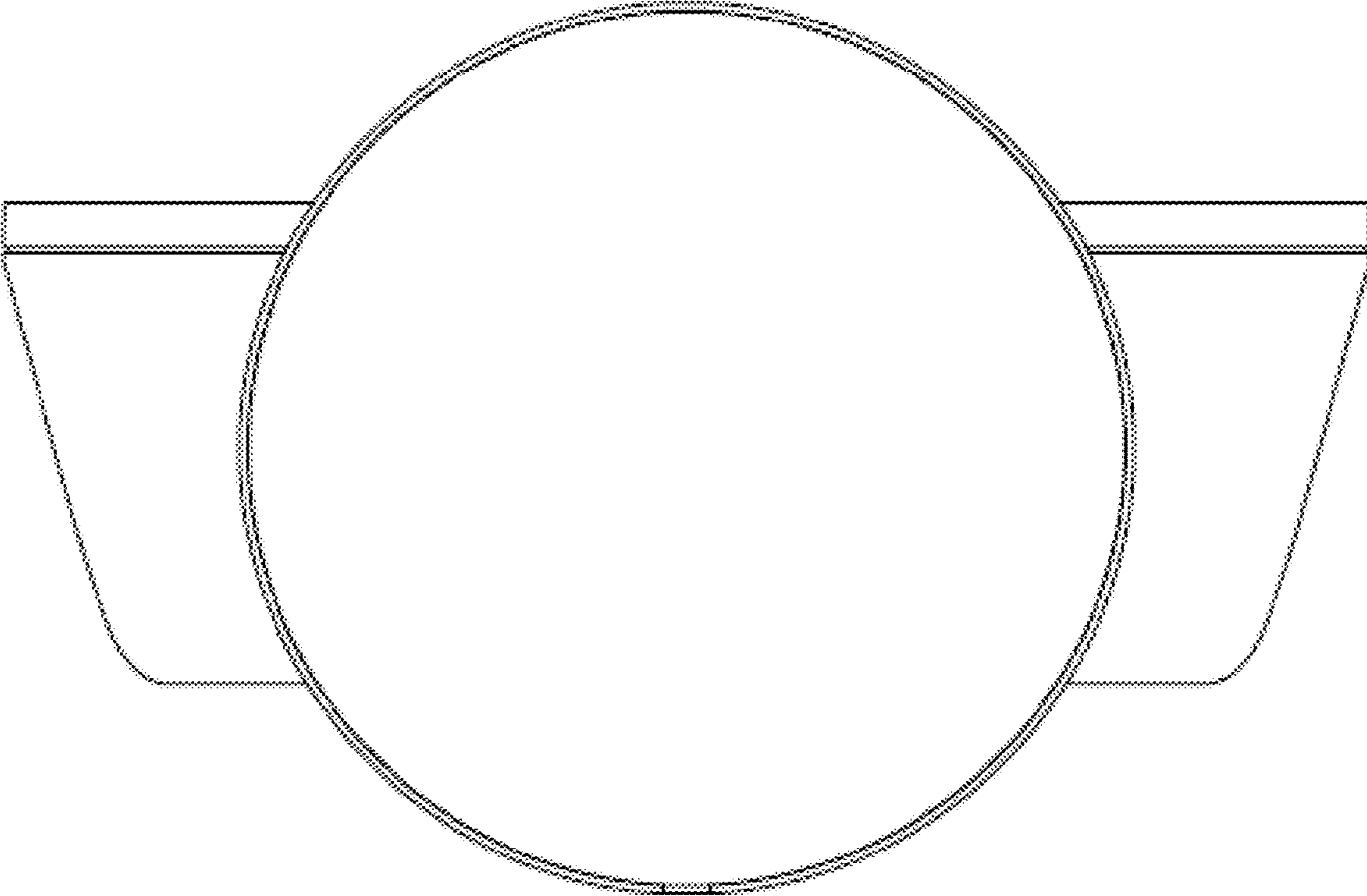


Fig 5

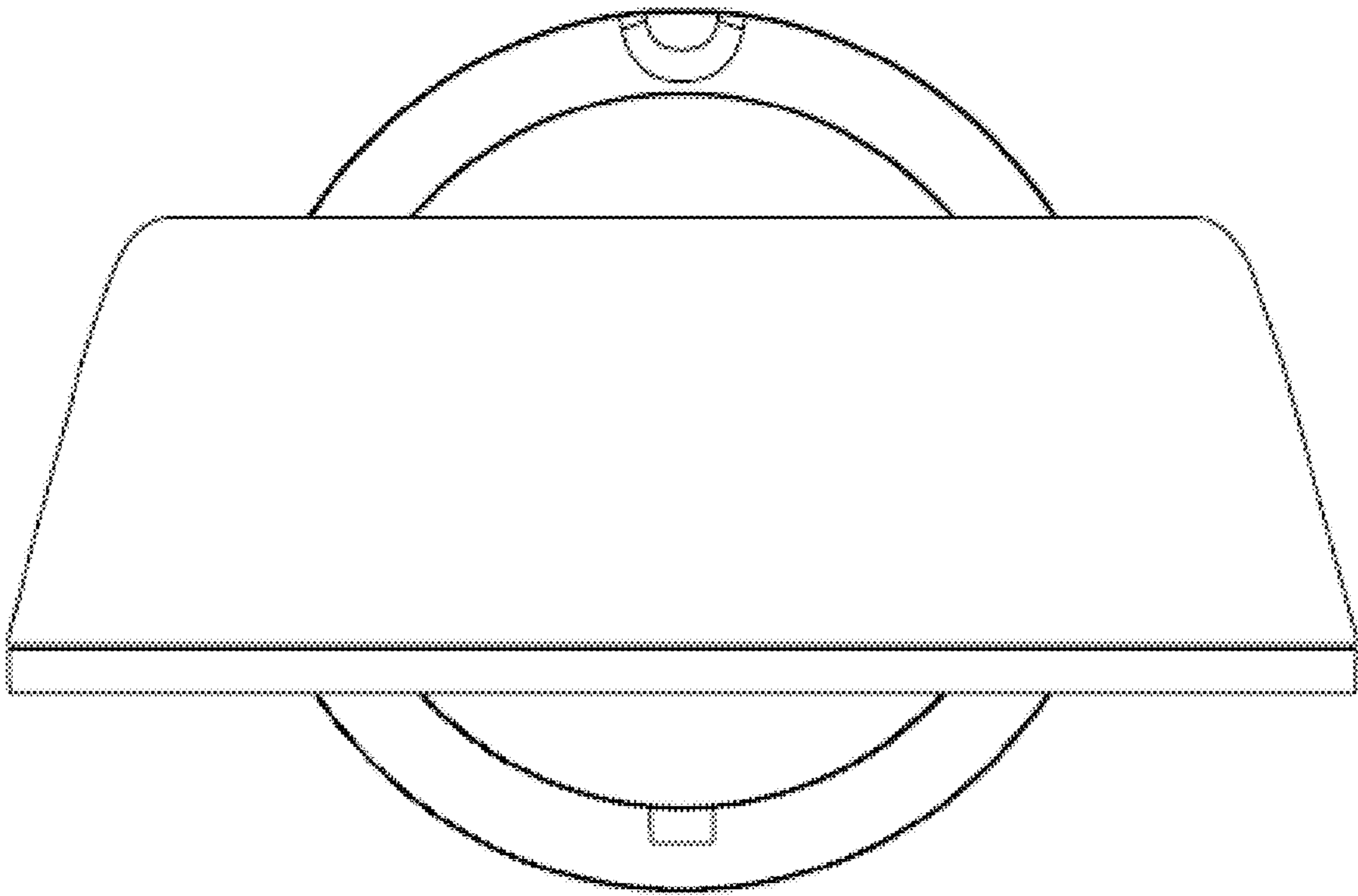


Fig 6

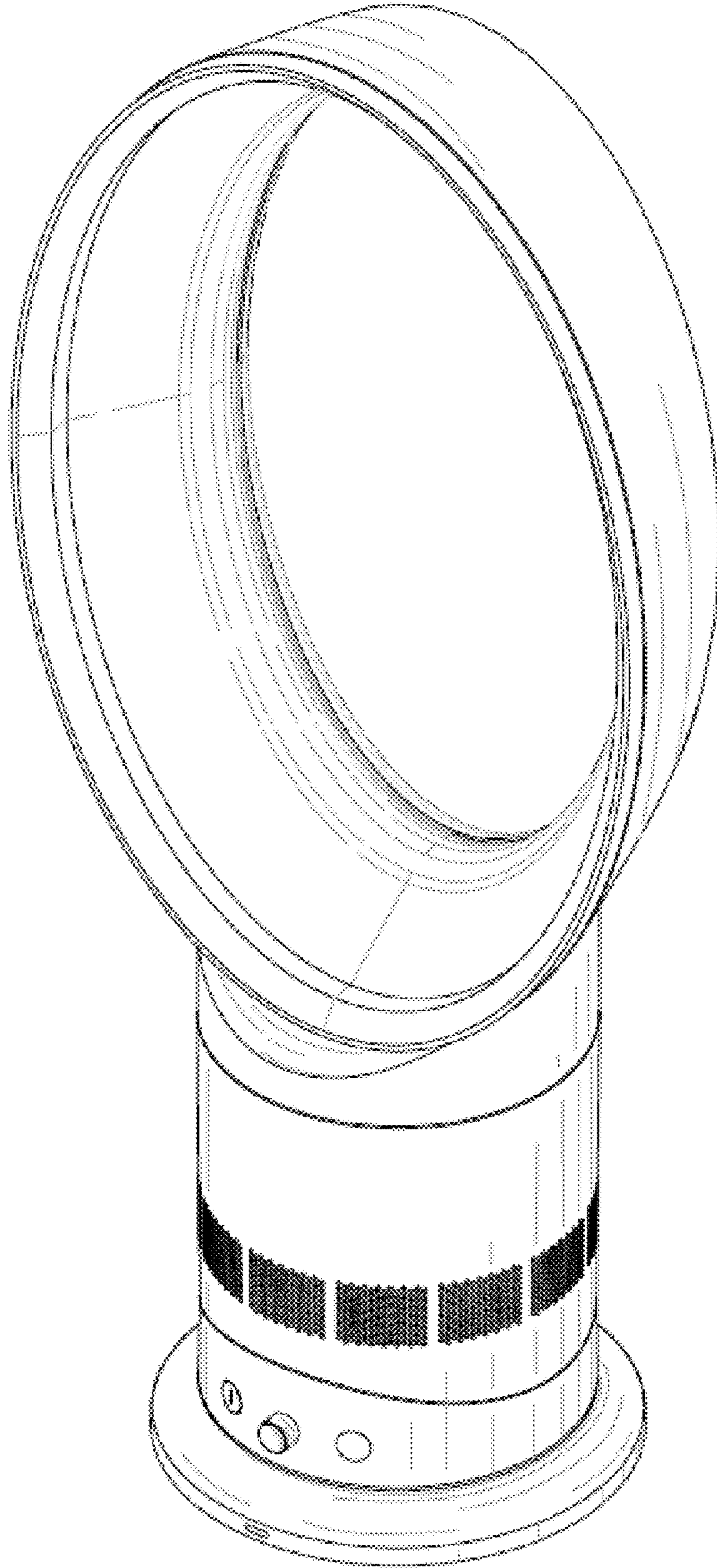


Fig 7