



US00D638108S

(12) **United States Design Patent**
Cummings et al.

(10) **Patent No.:** **US D638,108 S**

(45) **Date of Patent:** **** *May 17, 2011**

(54) **CISTERN SUPPORT BRACKET**

(75) Inventors: **Stephen John Cummings**, Newport (AU); **Johann Karunaratne**, Allambie Heights (AU)

(73) Assignee: **Caroma Industries Limited**, Brisbane (AU)

(*) Notice: This patent is subject to a terminal disclaimer.

(**) Term: **14 Years**

(21) Appl. No.: **29/310,541**

(22) Filed: **Aug. 25, 2008**

(51) **LOC (9) Cl.** **23-02**

(52) **U.S. Cl.** **D23/303**

(58) **Field of Classification Search** D23/302-311, D23/395-299, 499; 4/340, 353, 661, 643
See application file for complete search history.

(56) **References Cited**

U.S. PATENT DOCUMENTS

2,661,677	A *	12/1953	Lingelbach	454/331
3,014,223	A *	12/1961	Pope	4/252.3
4,058,859	A *	11/1977	Arrowood	4/252.3
4,979,239	A *	12/1990	Klein et al.	4/645
5,107,638	A *	4/1992	Unertl	4/252.2
5,148,552	A *	9/1992	Kress et al.	4/252.2
5,265,284	A *	11/1993	Dottori et al.	4/643
5,407,171	A *	4/1995	Gonzalez	248/670

5,660,637	A *	8/1997	Dodge	118/500
5,724,773	A *	3/1998	Hall	52/34
6,360,381	B1 *	3/2002	Fitzgerald, Sr.	4/645
6,908,372	B2 *	6/2005	Larsson	451/75
7,096,520	B2 *	8/2006	Nicolia et al.	4/645
D571,521	S *	6/2008	Stollenwerk et al.	D34/17
2004/0222179	A1 *	11/2004	Garcia	211/206
2007/0163034	A1 *	7/2007	Ogen	4/325
2009/0205576	A1 *	8/2009	Martinez Lema	119/161
2010/0065699	A1 *	3/2010	Tremp	248/205.3

* cited by examiner

Primary Examiner — Philip S Hyder

Assistant Examiner — John Windmuller

(74) *Attorney, Agent, or Firm* — Seyfarth Shaw LLP

(57) **CLAIM**

The ornamental design for the cistern support bracket, as shown and described.

DESCRIPTION

FIG. 1 is a top plan view of the cistern support bracket showing our new design;

FIG. 2 is an isometric view thereof.

FIG. 3 is a further isometric view thereof;

FIG. 4 is a left-hand side elevational view thereof;

FIG. 5 is a front elevational view thereof;

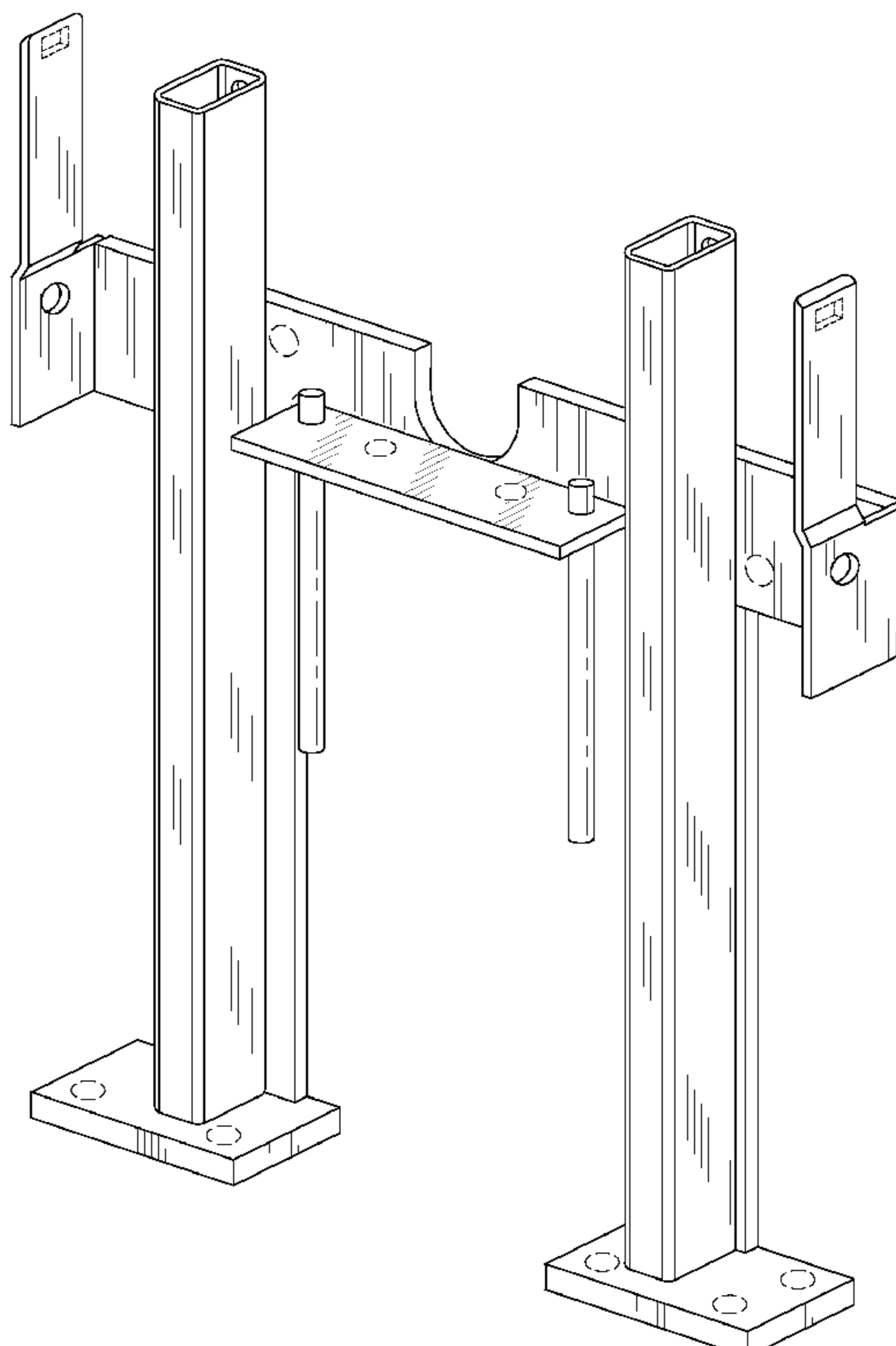
FIG. 6 is a right-hand side elevational view thereof;

FIG. 7 is a rear elevational view thereof; and,

FIG. 8 is a bottom plan view thereof.

The components shown in broken lines are for illustrative purposes only and form no part of the claimed designs.

1 Claim, 8 Drawing Sheets



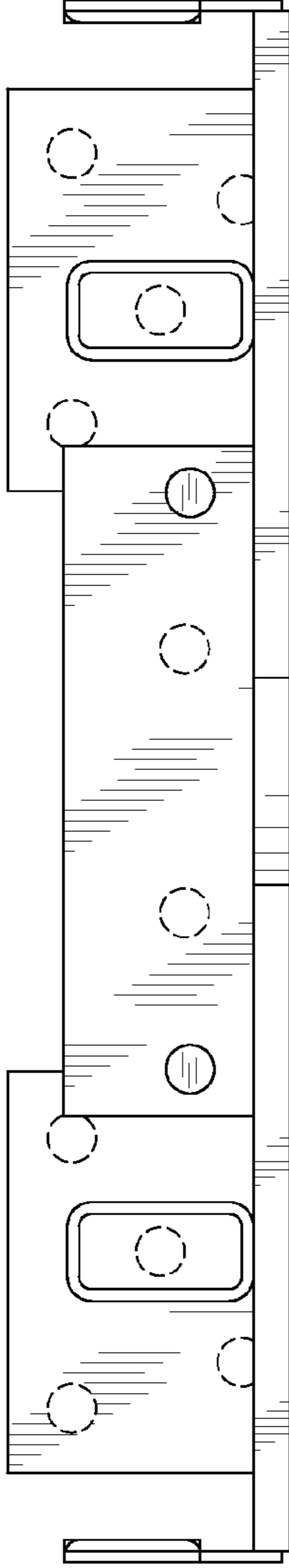


Fig. 1

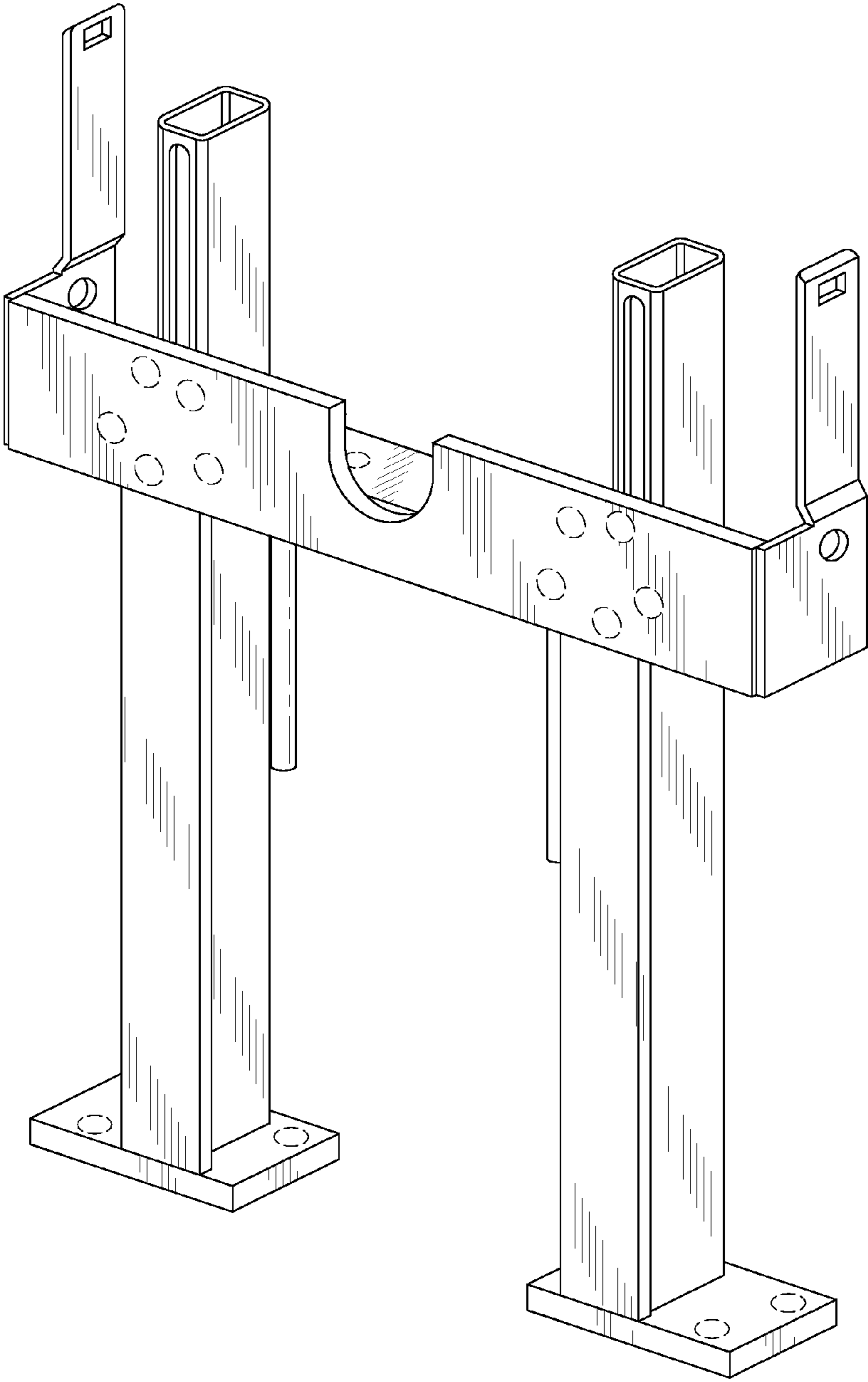


Fig. 2

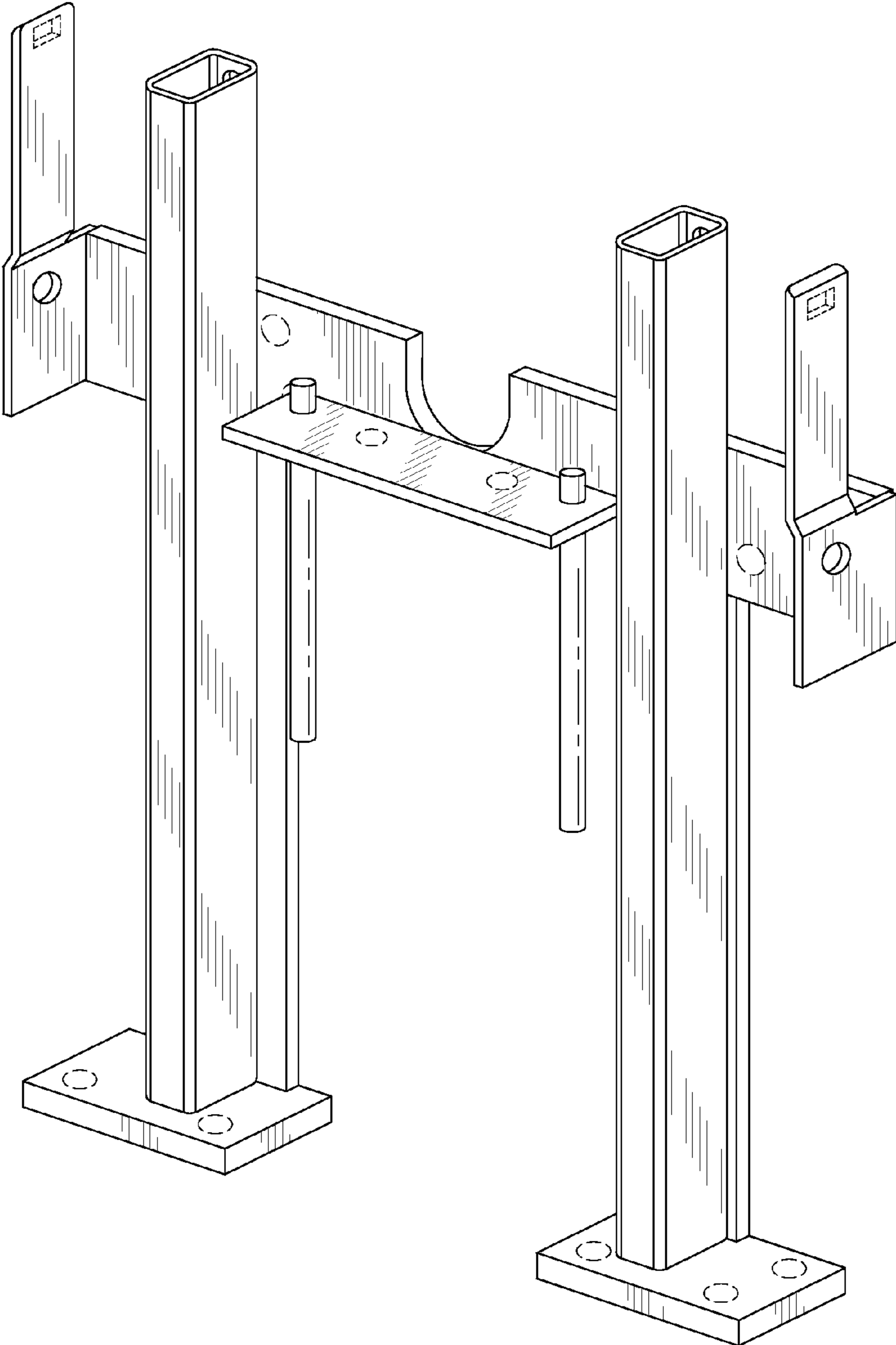


Fig. 3

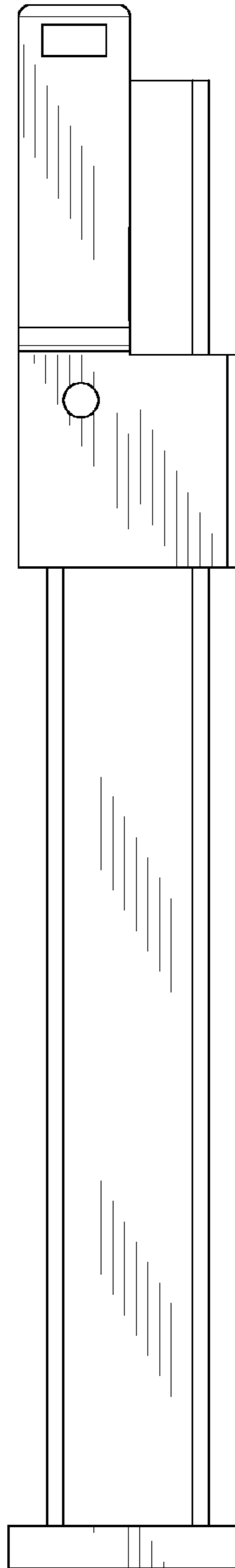


Fig. 4

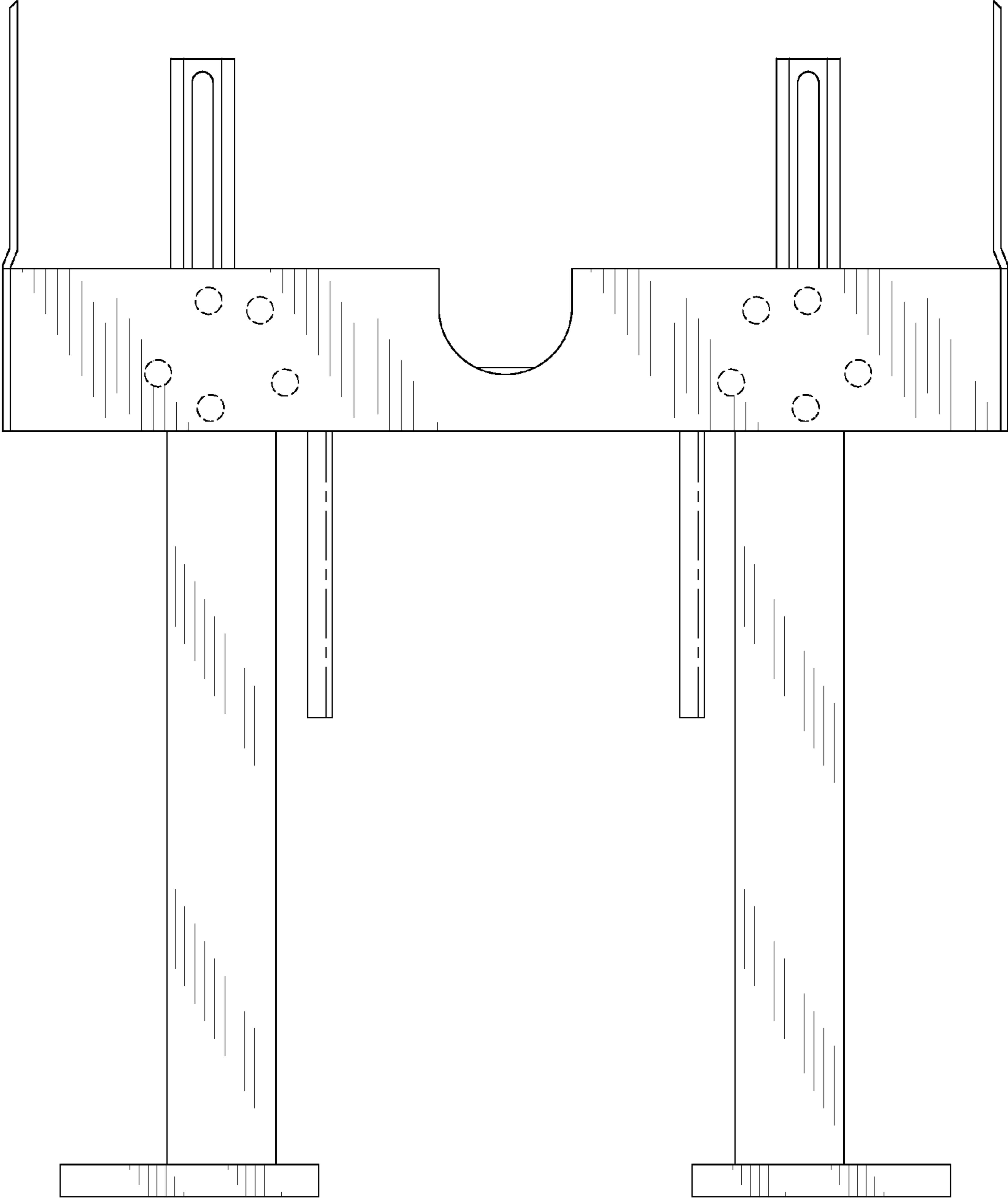


Fig. 5

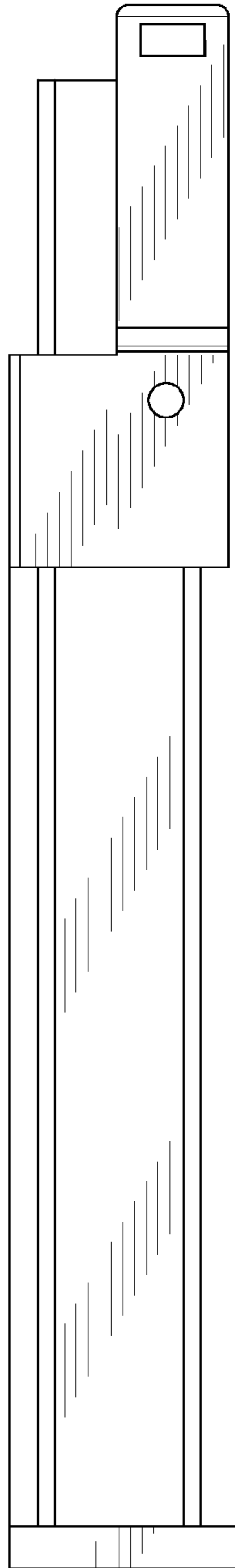


Fig. 6

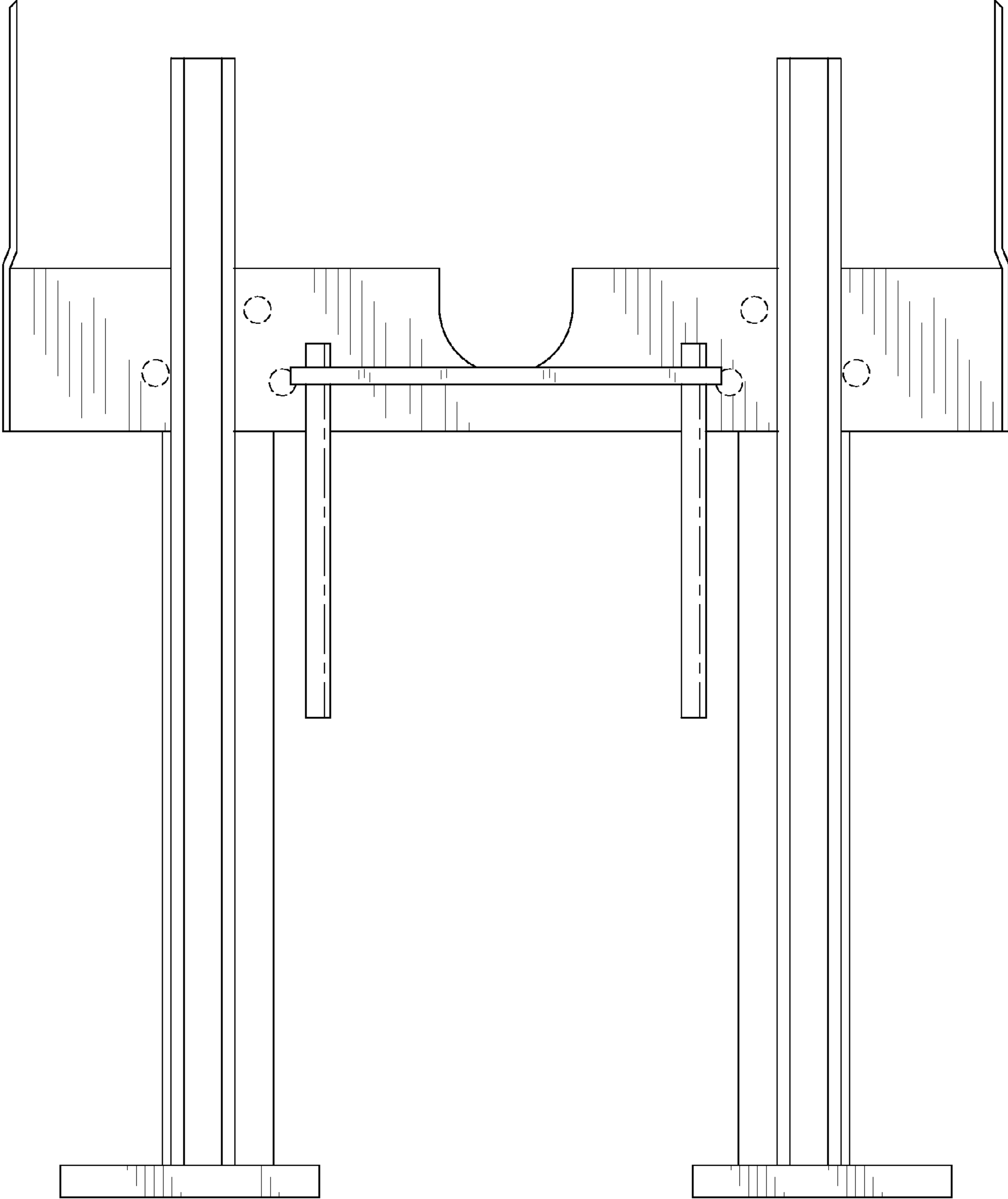


Fig. 7

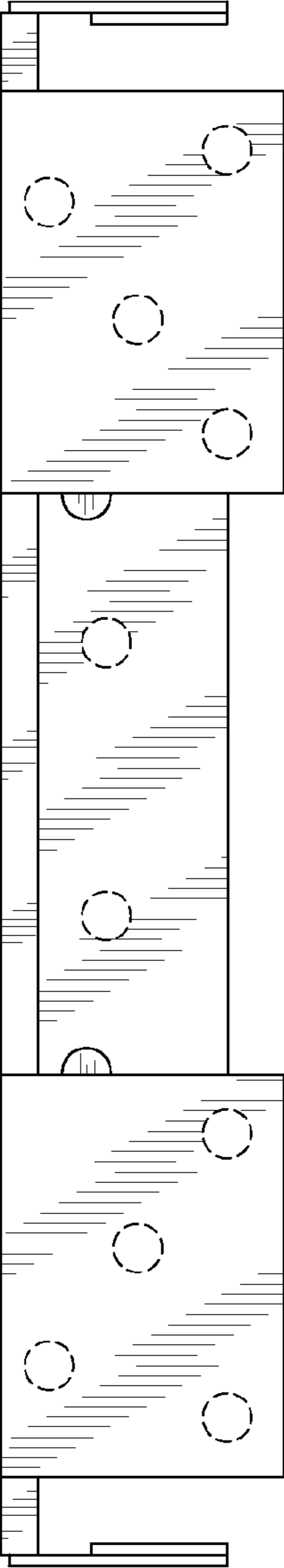


Fig. 8