



US00D638107S

(12) **United States Design Patent**
Jiang et al.

(10) **Patent No.:** **US D638,107 S**

(45) **Date of Patent:** **** May 17, 2011**

(54) **TUB FOR BATHING**

(75) Inventors: **Mimi Jiang**, Shanghai (CN); **Timothy E. Hoh**, Lions Bay (CA)

(73) Assignee: **Kohler Co.**, Kohler, WI (US)

(**) Term: **14 Years**

(21) Appl. No.: **29/368,280**

(22) Filed: **Aug. 20, 2010**

(30) **Foreign Application Priority Data**

Feb. 25, 2010 (CN) 2010 3 0118106

(51) **LOC (9) Cl.** **23-02**

(52) **U.S. Cl.** **D23/277**

(58) **Field of Classification Search** D23/277,
D23/280.1, 303-304; 4/268

See application file for complete search history.

(56) **References Cited**

U.S. PATENT DOCUMENTS

3,863,275	A	2/1975	Brengord et al.	
6,360,380	B1	3/2002	Swart et al.	
D524,924	S *	7/2006	Lanius	D23/277
D558,860	S *	1/2008	Breymaier et al.	D23/277
D567,914	S *	4/2008	Ishiyama et al.	D23/277
D576,715	S *	9/2008	Breymaier et al.	D23/277

OTHER PUBLICATIONS

Kohler Co. "Underscore" BubbleMassage Bath—6'. Kohler Co. online catalog. Copyright 2010 Kohler Co.

Neptune. "Bora". HomePortfolio online catalog. Copyright 1997-2010 HomePortfolio Inc.

* cited by examiner

Primary Examiner — Robert A Delehanty

(74) *Attorney, Agent, or Firm* — Quarles & Brady LLP

(57) **CLAIM**

The ornamental design for a tub for bathing, as shown and described.

DESCRIPTION

FIG. 1 is a right, top, front perspective view of a tub for bathing embodying our new design;

FIG. 2 is a top plan view thereof;

FIG. 3 is a front elevational view thereof;

FIG. 4 is a rear elevational view thereof;

FIG. 5 is a right side elevational view thereof;

FIG. 6 is a left side elevational view thereof;

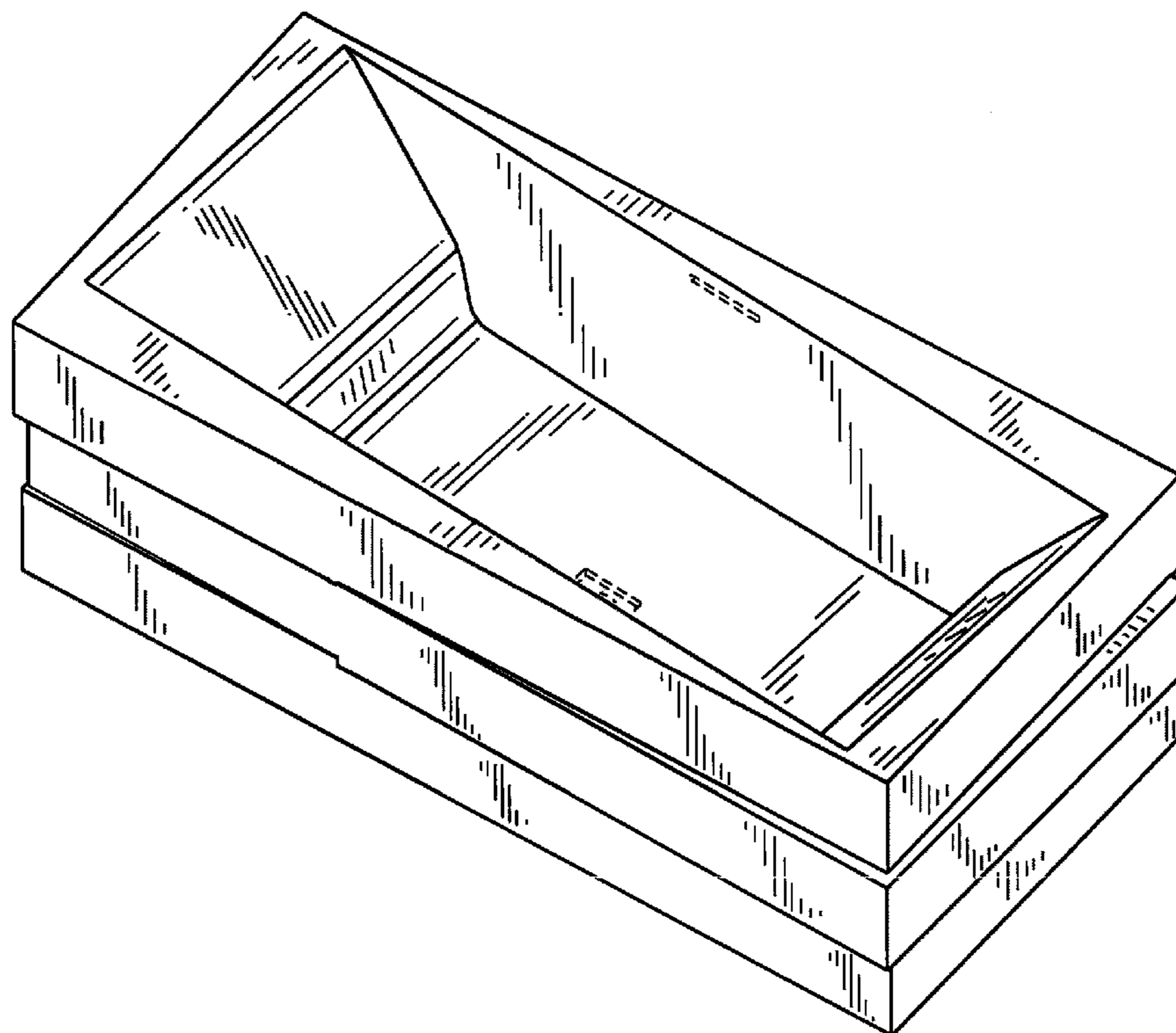
FIG. 7 is a bottom plan view thereof; and,

FIG. 8 is sectional view taken along line 8—8 of FIG. 2.

The broken line representations in the figures are for the purpose of illustration only, and form no part of the claimed design.

In a preferred embodiment, the nature of this product is as a plumbing fixture in the form of a bathing tub primary useful for washing the human body.

1 Claim, 8 Drawing Sheets



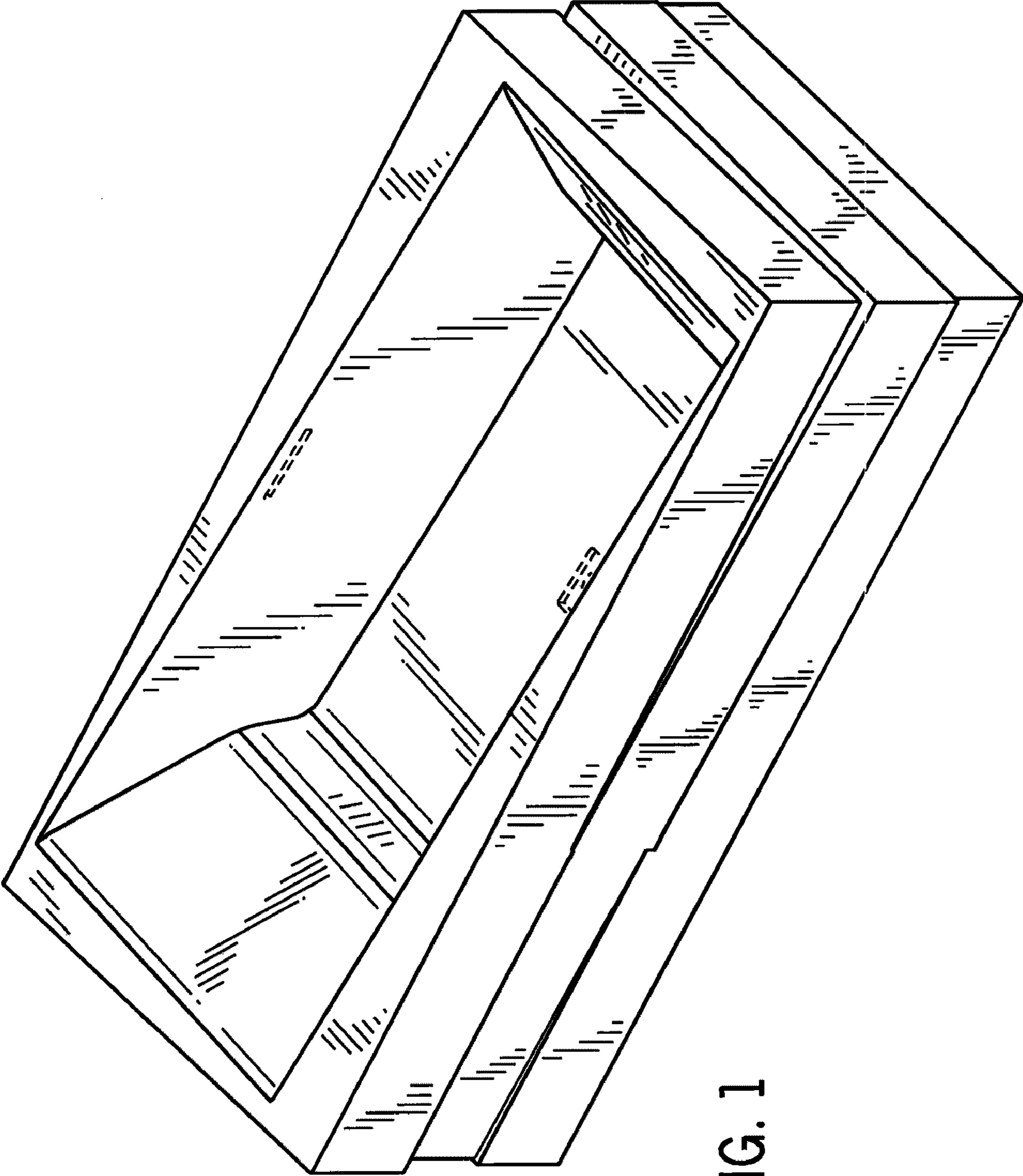


FIG. 1

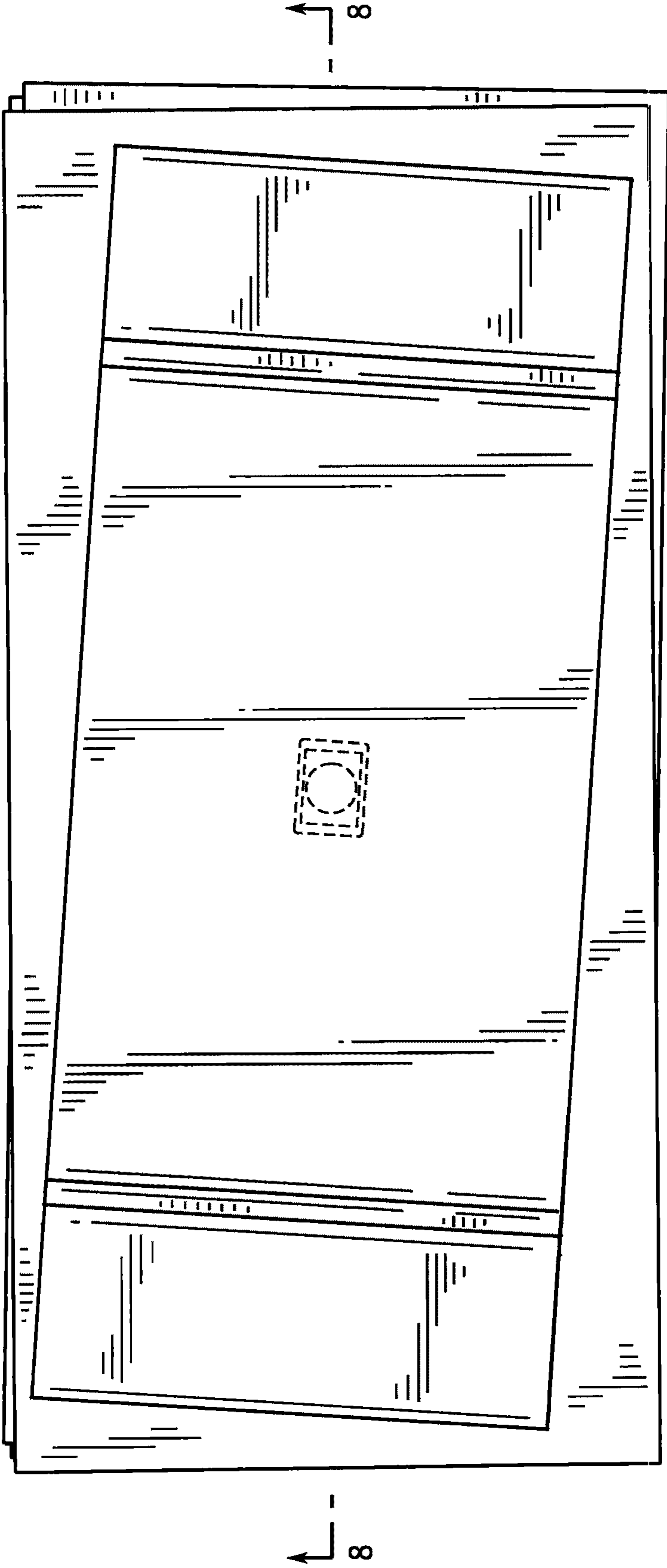


FIG. 2

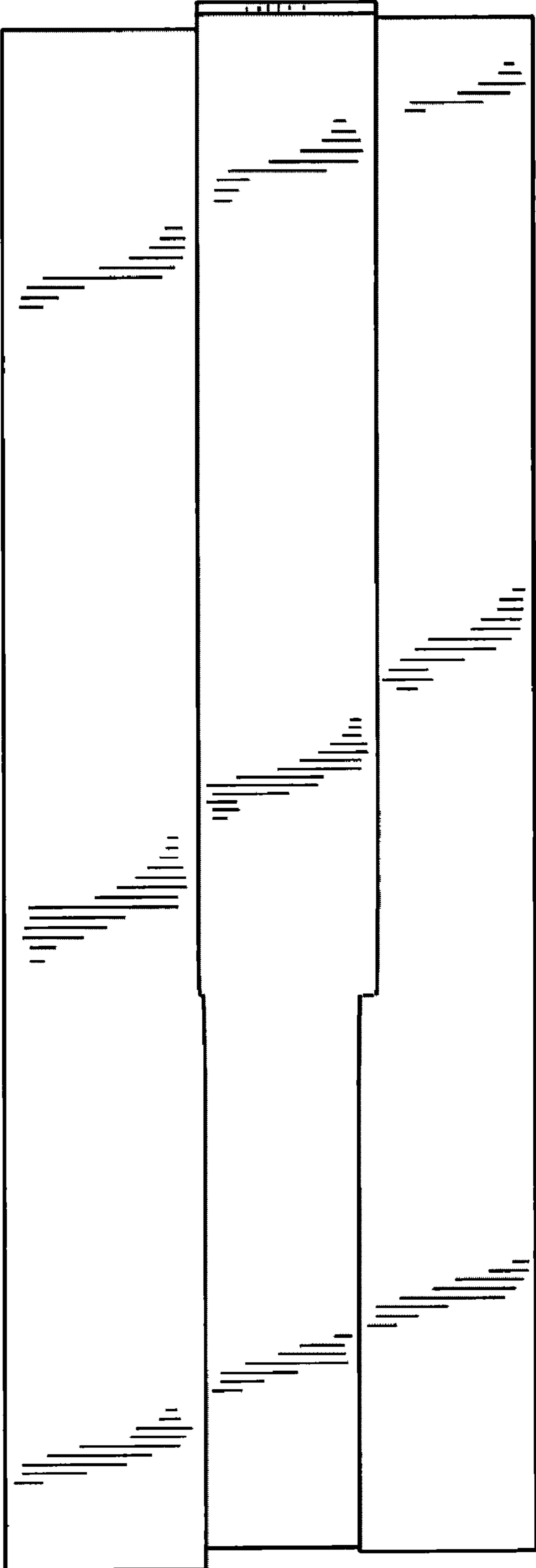


FIG. 3

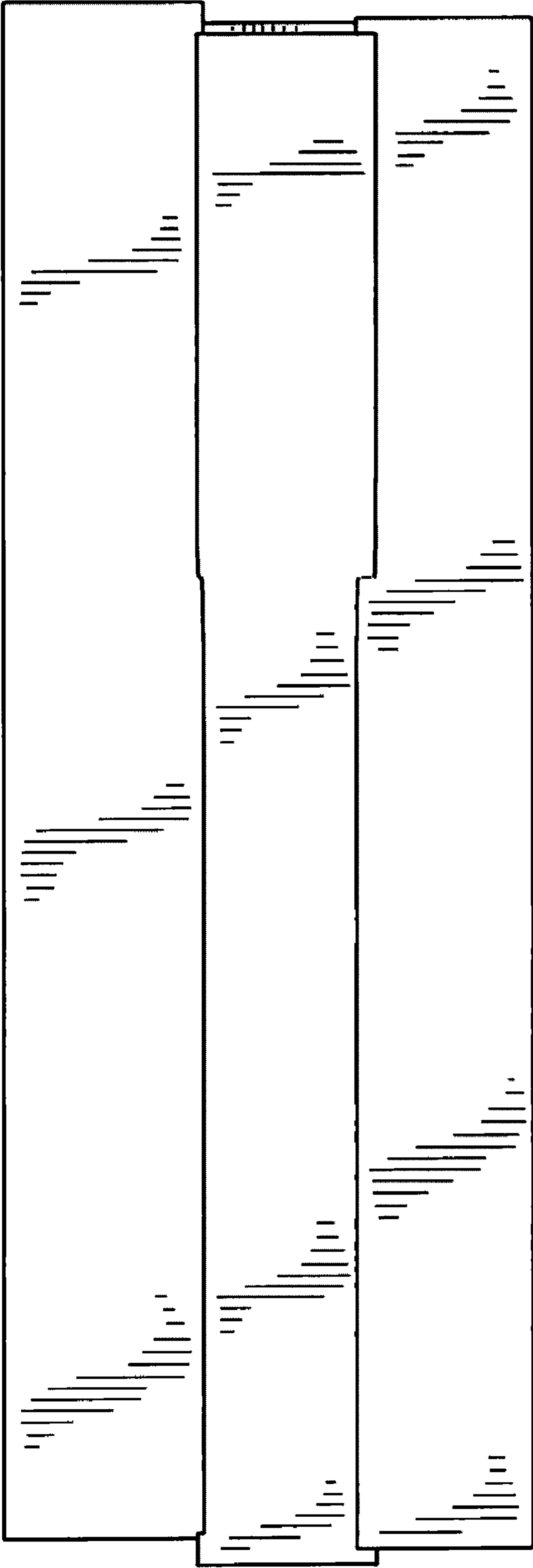


FIG. 4

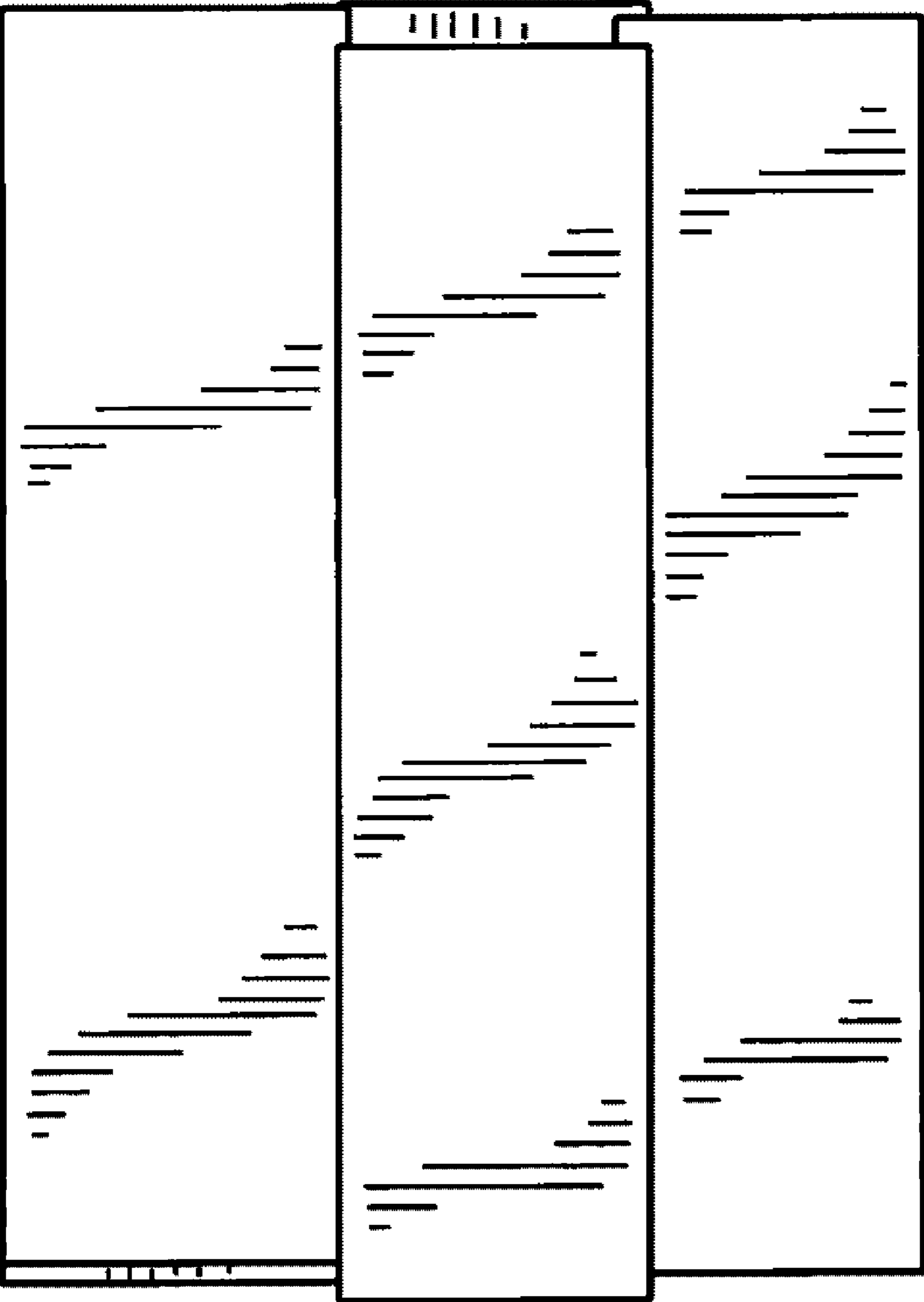


FIG. 5

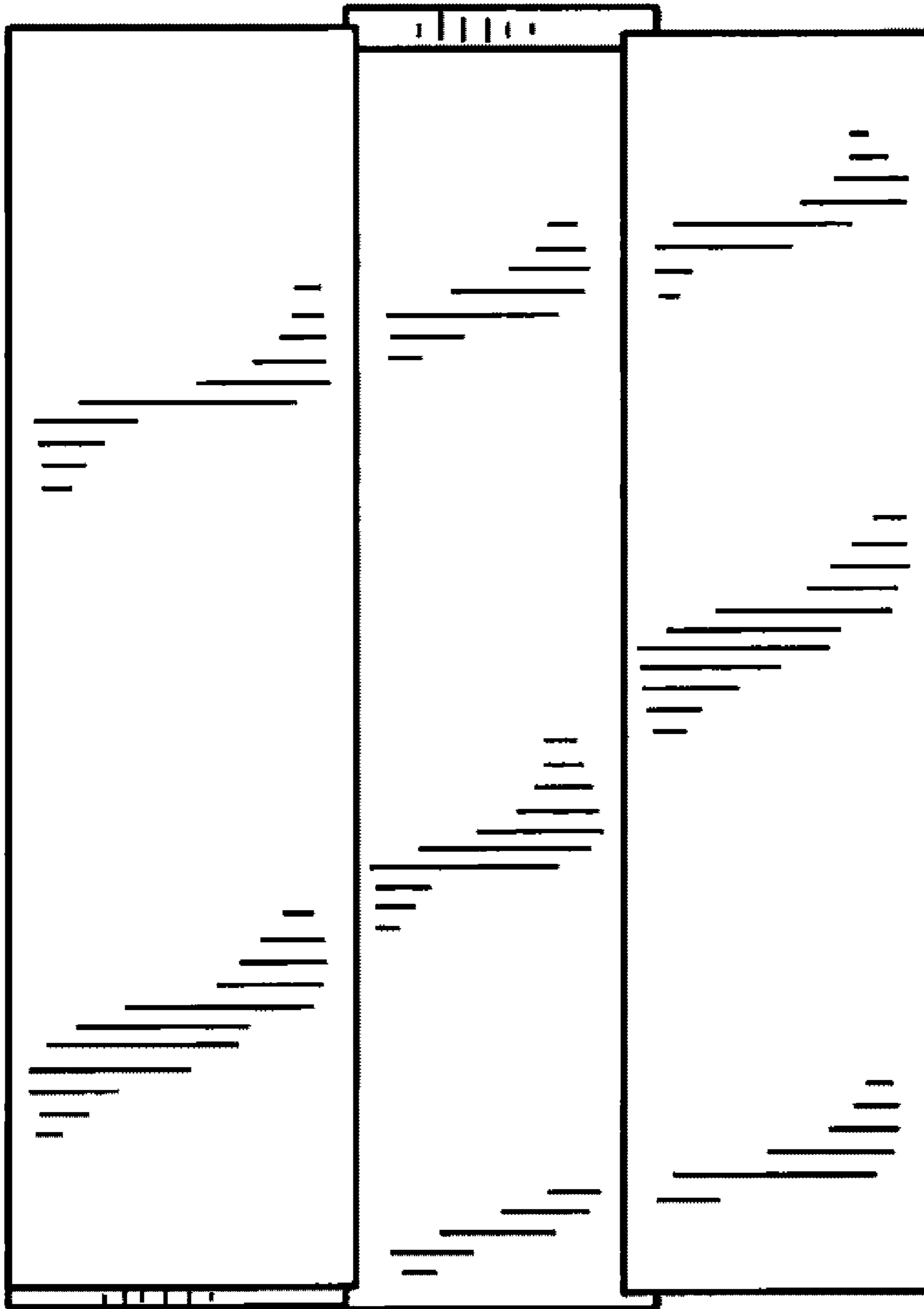


FIG. 6

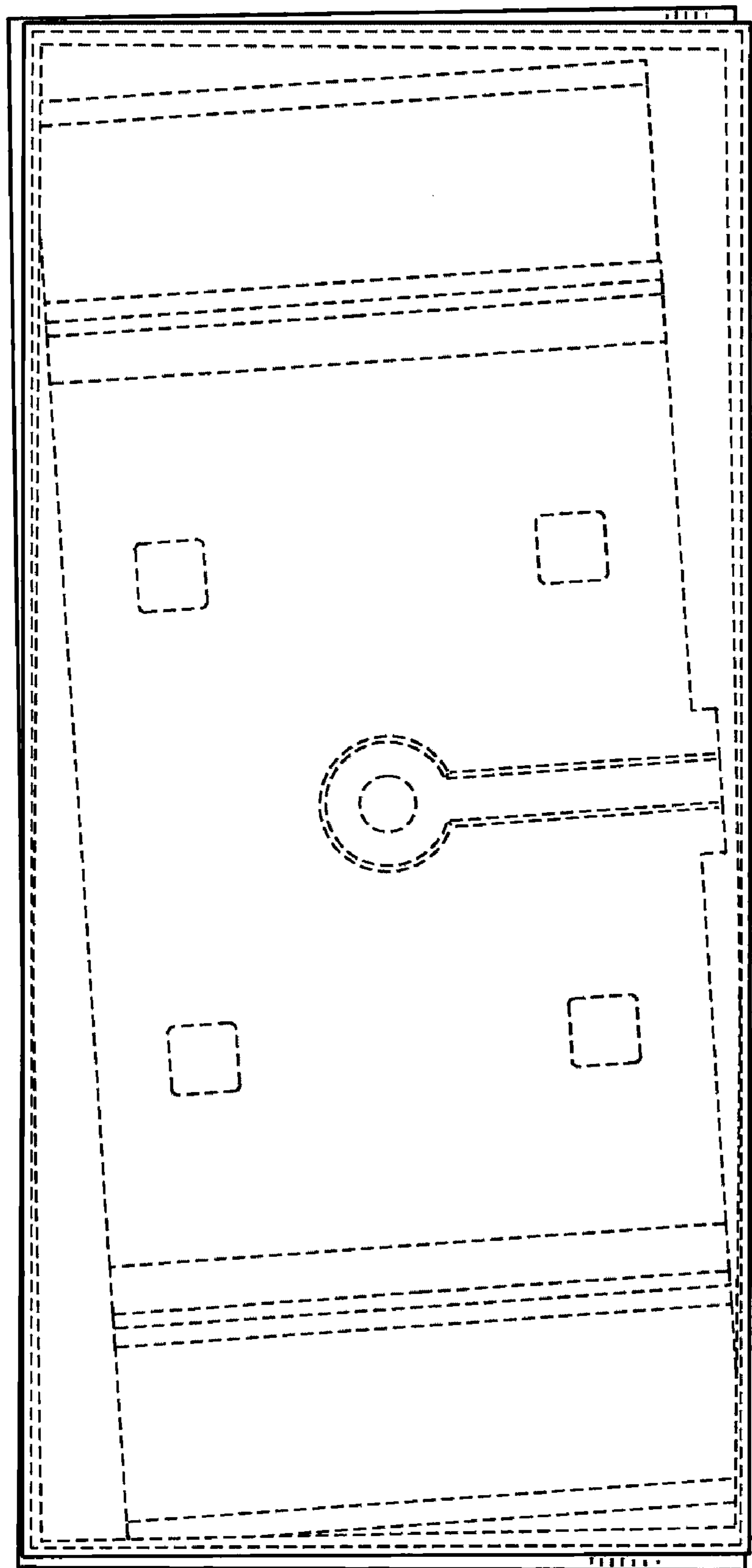


FIG. 7

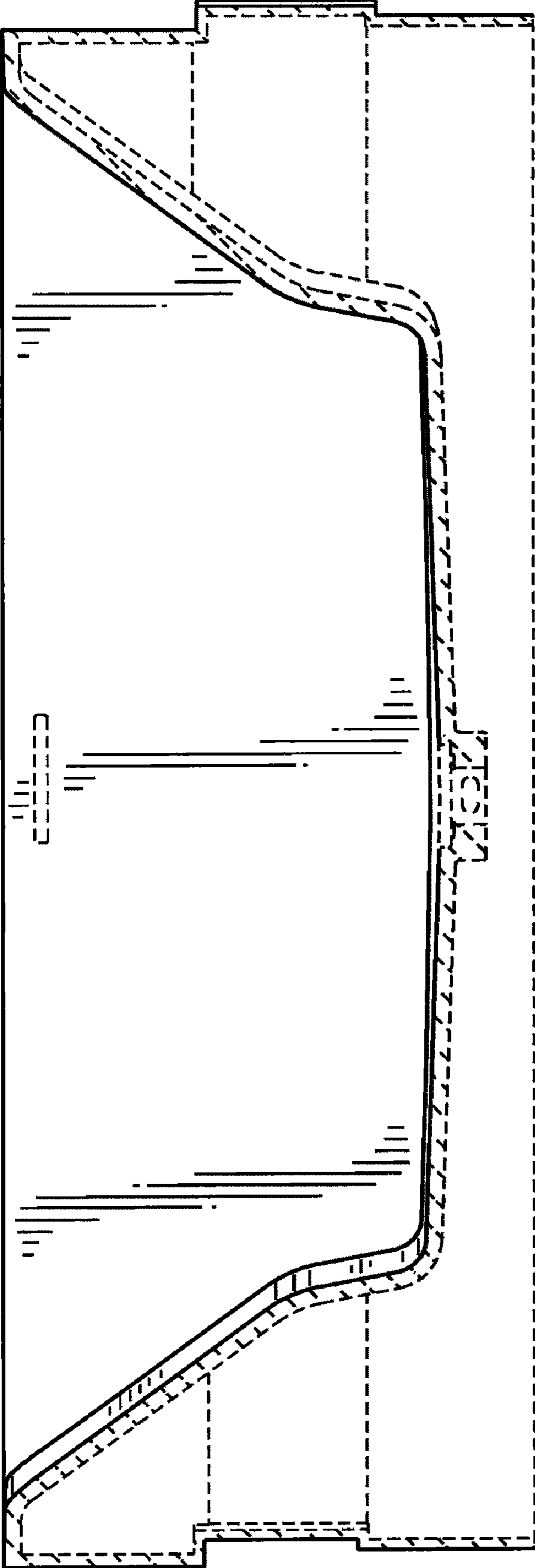


FIG. 8