

US00D638105S

(12) **United States Design Patent**
Jiang et al.

(10) **Patent No.:** **US D638,105 S**

(45) **Date of Patent:** **** May 17, 2011**

(54) **TUB FOR BATHING**

(75) Inventors: **Mimi Jiang**, Shanghai (CN); **Timothy E. Hoh**, Lions Bay (CA); **Bruno (Jacky) Chenesseau**, Shanghai (CN)

(73) Assignee: **Kohler Co.**, Kohler, WI (US)

(**) Term: **14 Years**

(21) Appl. No.: **29/368,277**

(22) Filed: **Aug. 20, 2010**

(30) **Foreign Application Priority Data**

Feb. 25, 2010 (CN) 2010 3 0118100

(51) **LOC (9) Cl.** **23-02**

(52) **U.S. Cl.** **D23/277**

(58) **Field of Classification Search** D23/277,
D23/280.1, 303-304; 4/268
See application file for complete search history.

(56) **References Cited**

U.S. PATENT DOCUMENTS

D274,455 S * 6/1984 Cuttriss D23/280.1
D323,378 S * 1/1992 Delepine D23/280.1
D462,113 S * 8/2002 Marshall et al. D23/280.1
D610,656 S * 2/2010 Terrell D23/278

OTHER PUBLICATIONS

Signature Aire. "Dana Acrylic Round Soaking Air Bath Tub".
SignatureHardware.com online catalog. Copyright 1999-2009
SignatureHardware.com or its affiliates.

Kohler Co. "Inscribe Wading Pool Lavatory". Model Nos. 2388.
Kohler Co. online catalog. Copyright 2010 Kohler Co.

Kohler Co. "Yin-Yang Wading Pool Lavatory". Model Nos. K-2353
and K-2354. Kohler Co. online catalog. Copyright 2010 Kohler Co.

* cited by examiner

Primary Examiner — Robert A Delehanty

(74) *Attorney, Agent, or Firm* — Quarles & Brady LLP

(57) **CLAIM**

The ornamental design for a tub for bathing, as shown and described.

DESCRIPTION

FIG. 1 is a right, top, front perspective view of a tub for bathing embodying our new design;
FIG. 2 is a left, top, rear perspective view thereof;
FIG. 3 is a top plan view thereof;
FIG. 4 is a front elevational view thereof;
FIG. 5 is a right side elevational view thereof;
FIG. 6 is a left side elevational view thereof;
FIG. 7 is a rear elevational view thereof;
FIG. 8 is a bottom plan view thereof; and,
FIG. 9 is a sectional view taken along line 9—9 of FIG. 3.

The broken line representations in the figures are for the purpose of illustration only, and form no part of the claimed design.

In a preferred embodiment, the nature of this product is as a plumbing fixture in the form of a bathing tub primary useful for washing the human body.

1 Claim, 4 Drawing Sheets

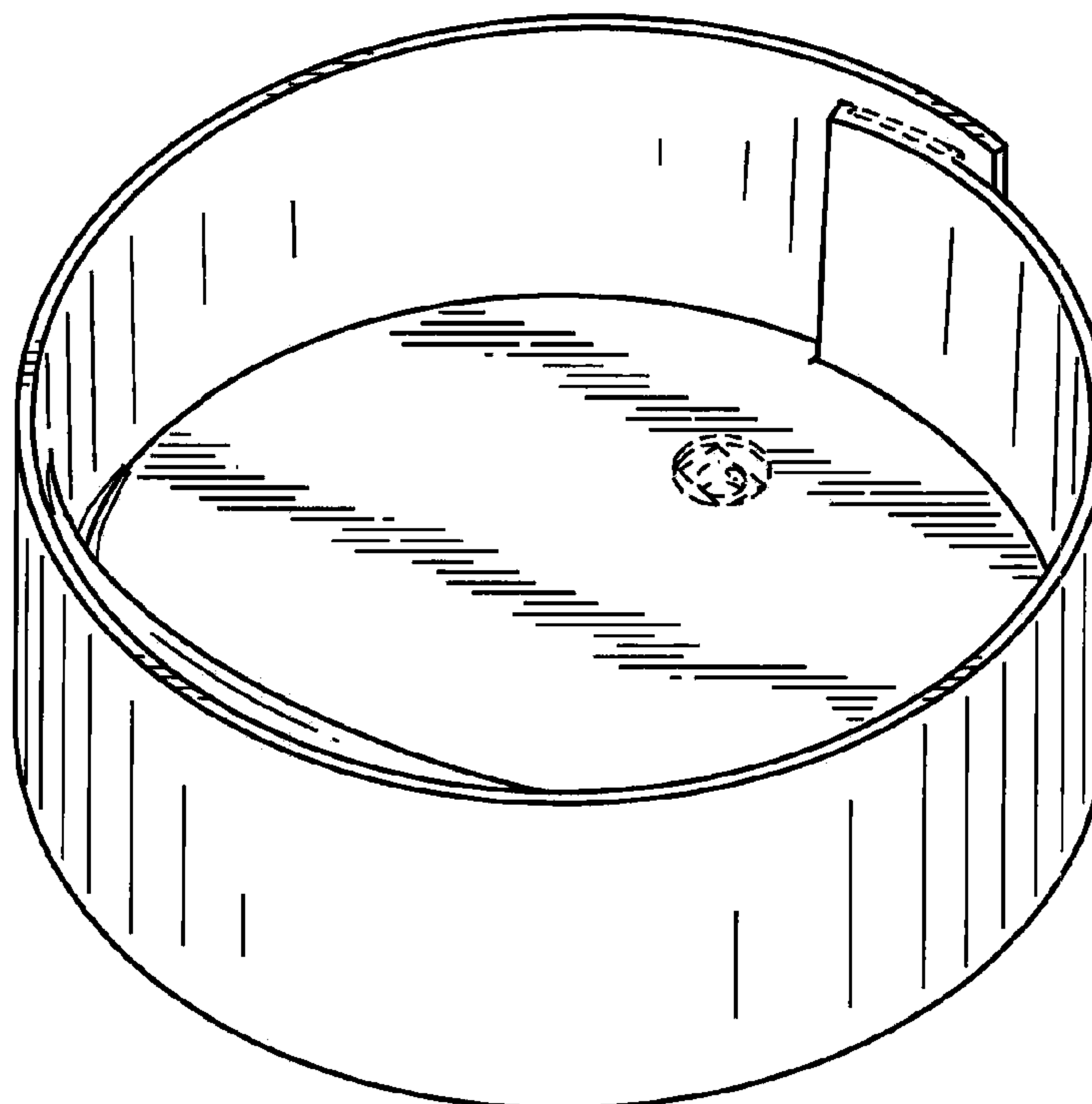


FIG. 1

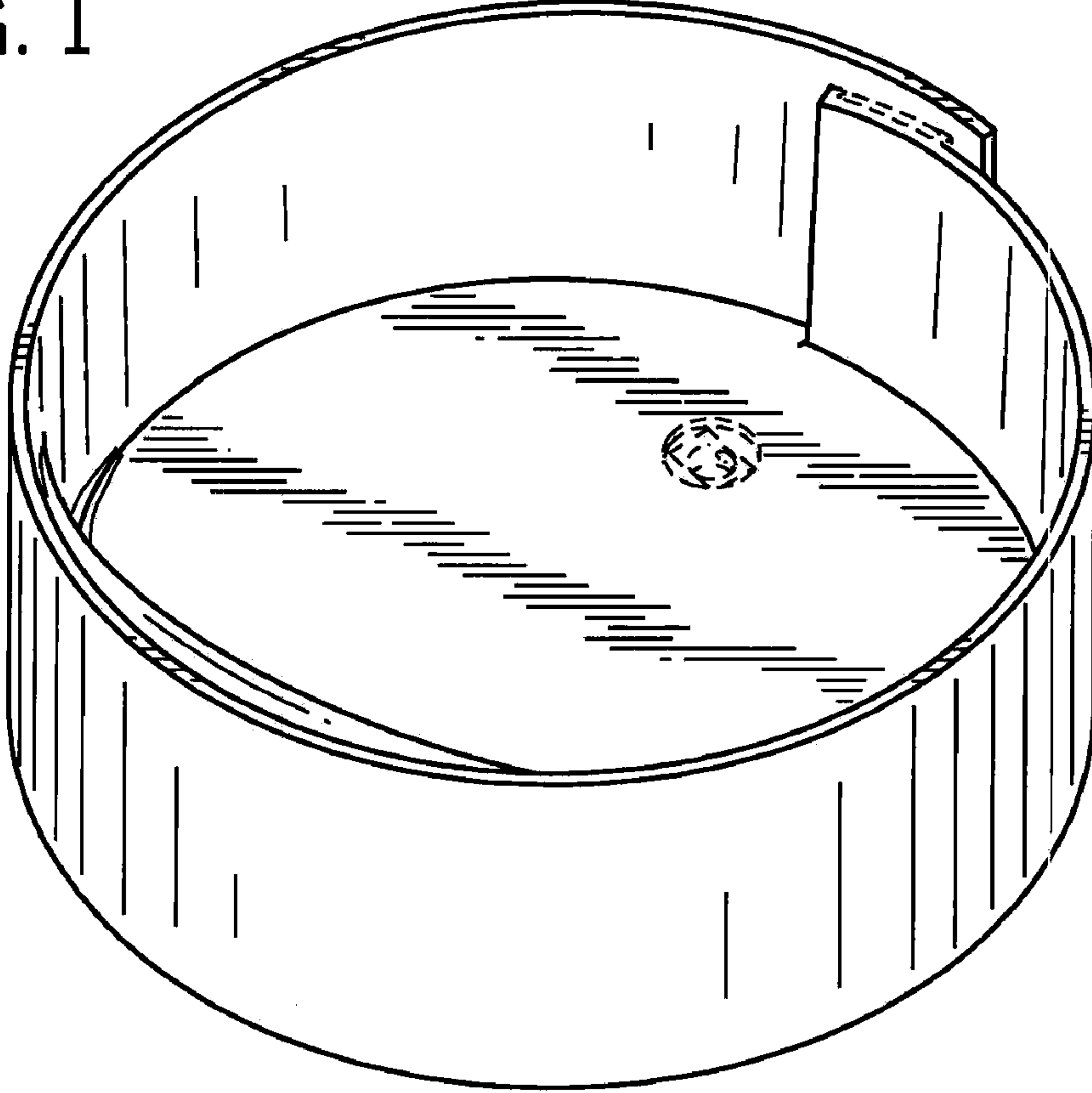


FIG. 2

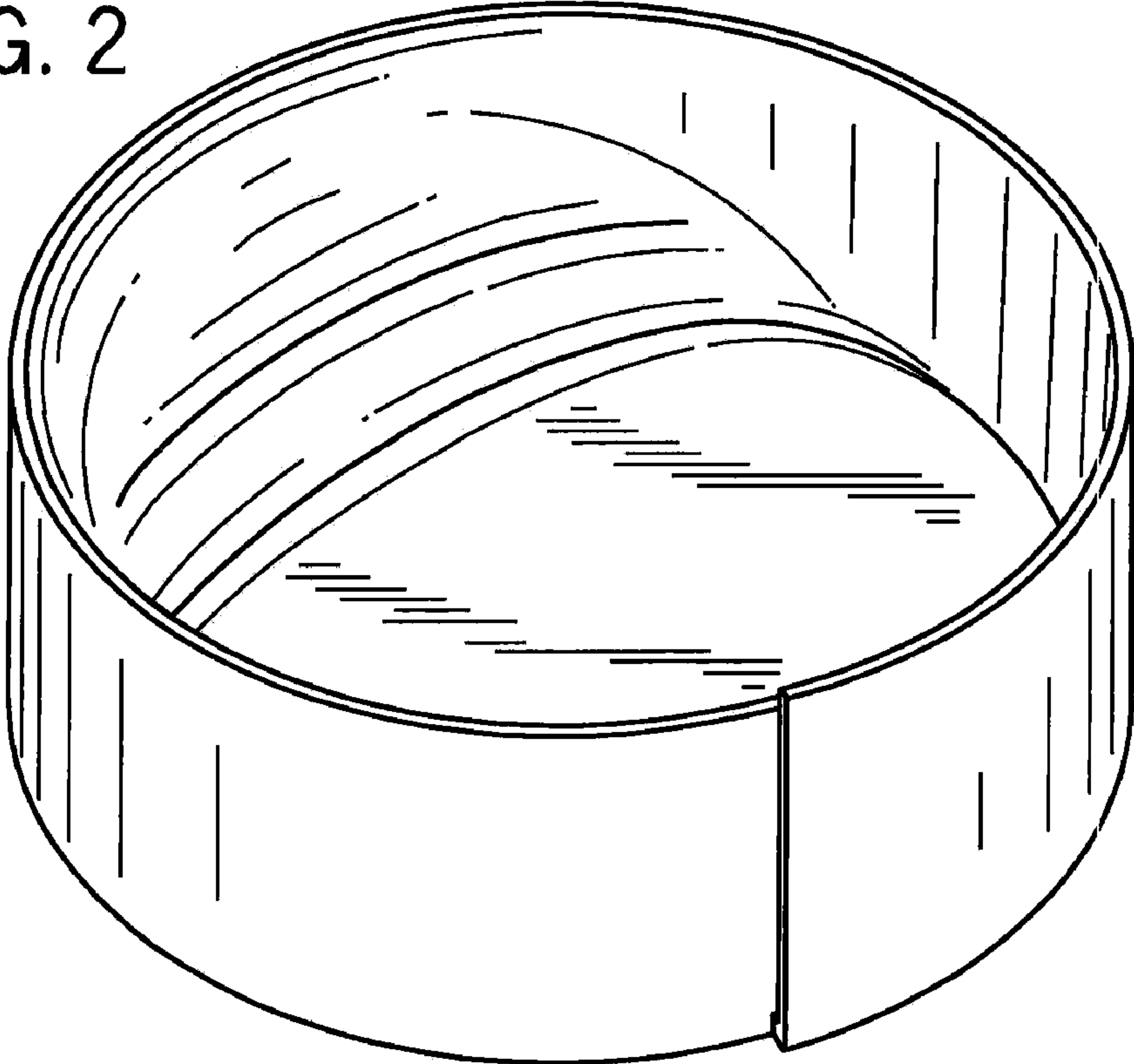


FIG. 3

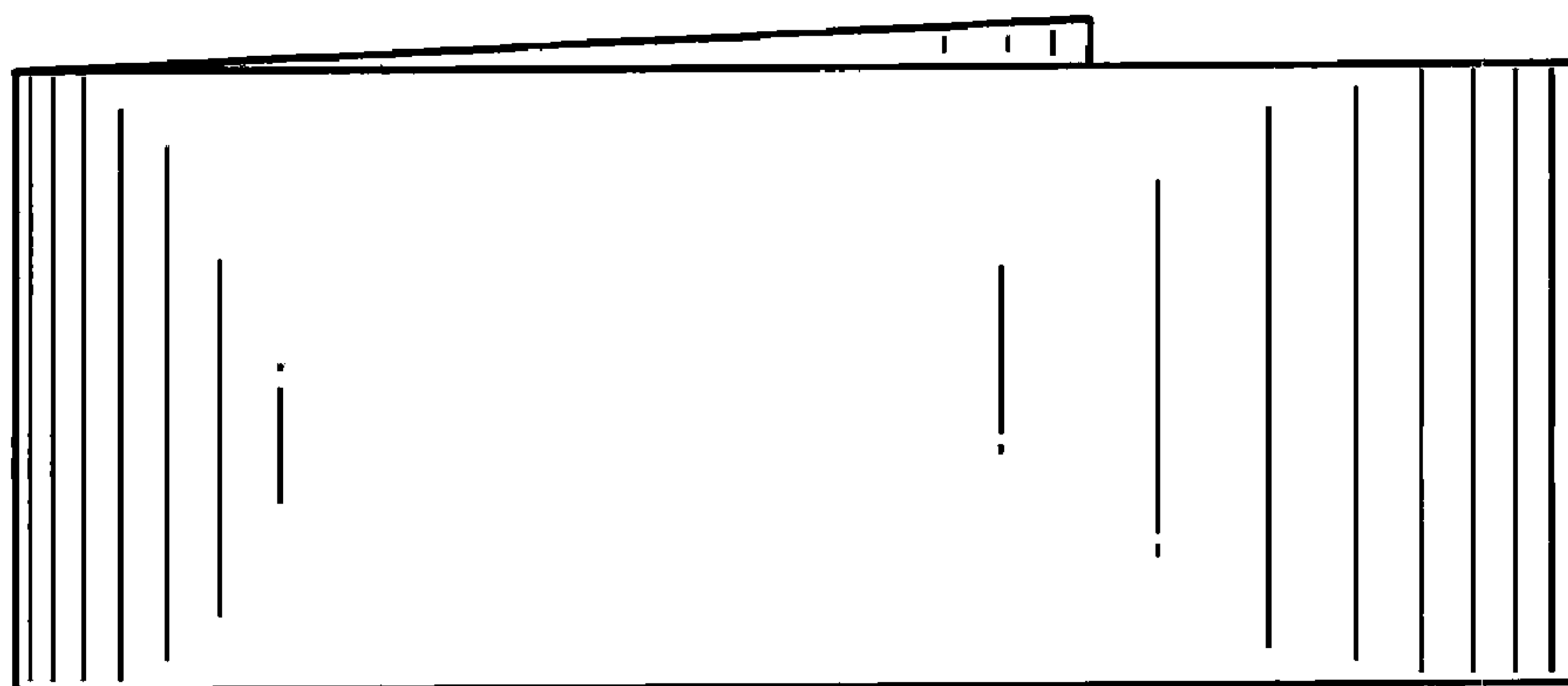
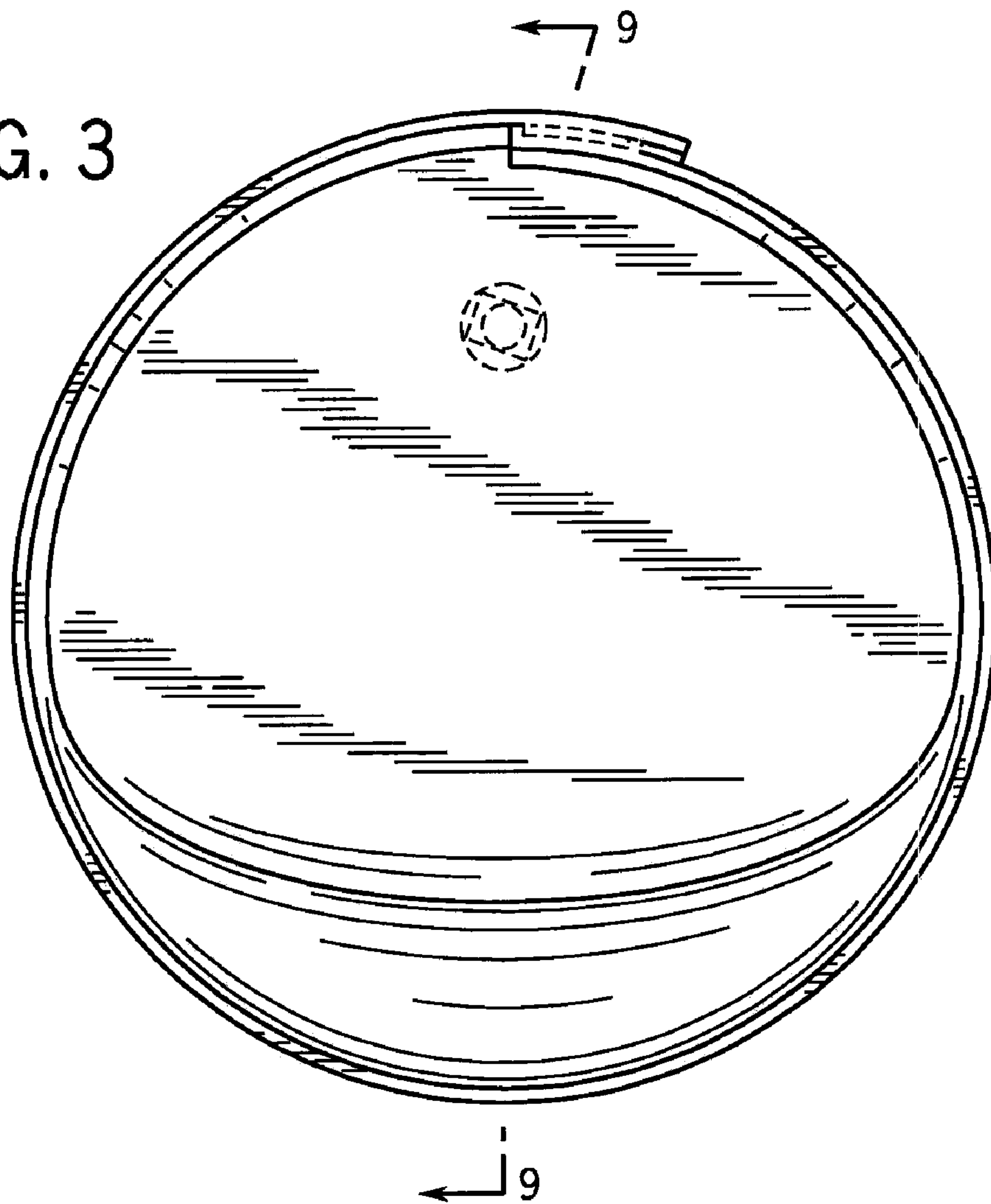


FIG. 4

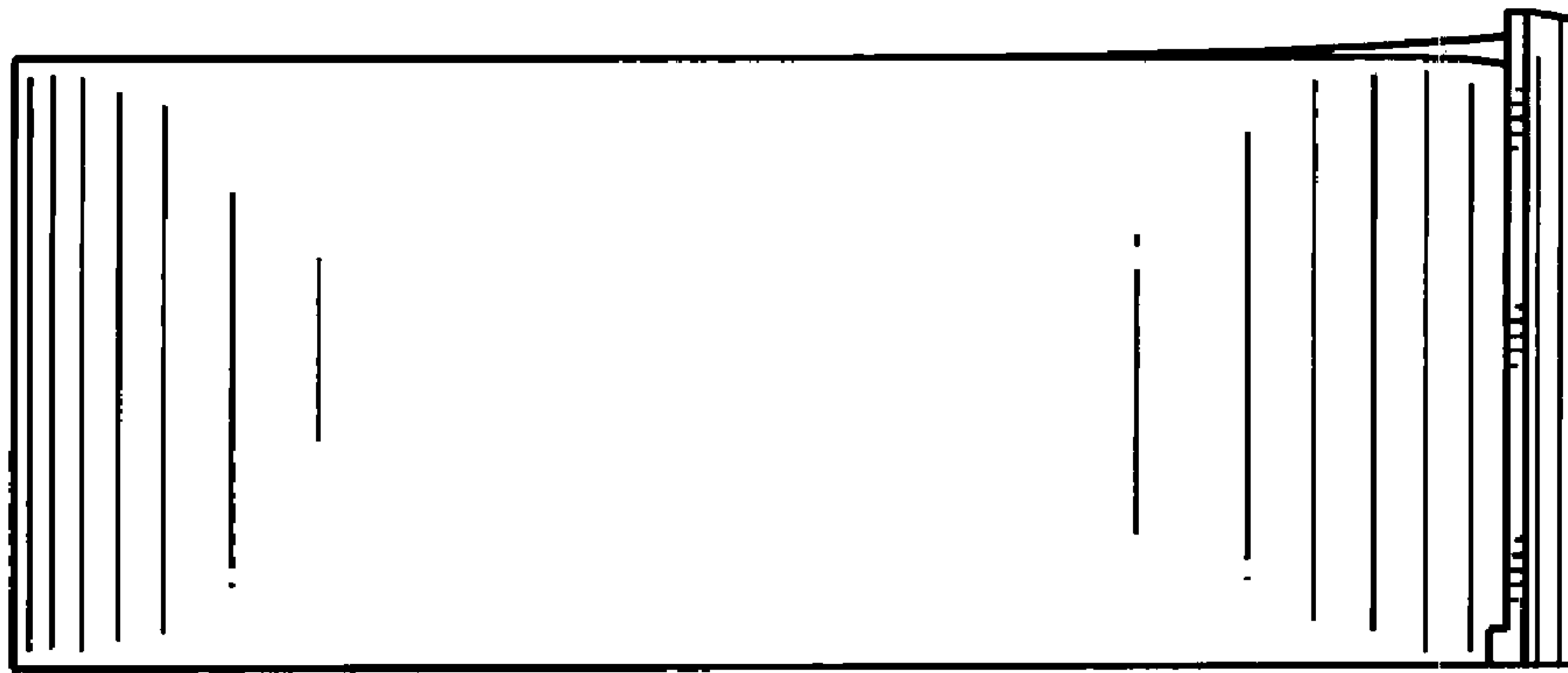


FIG. 5

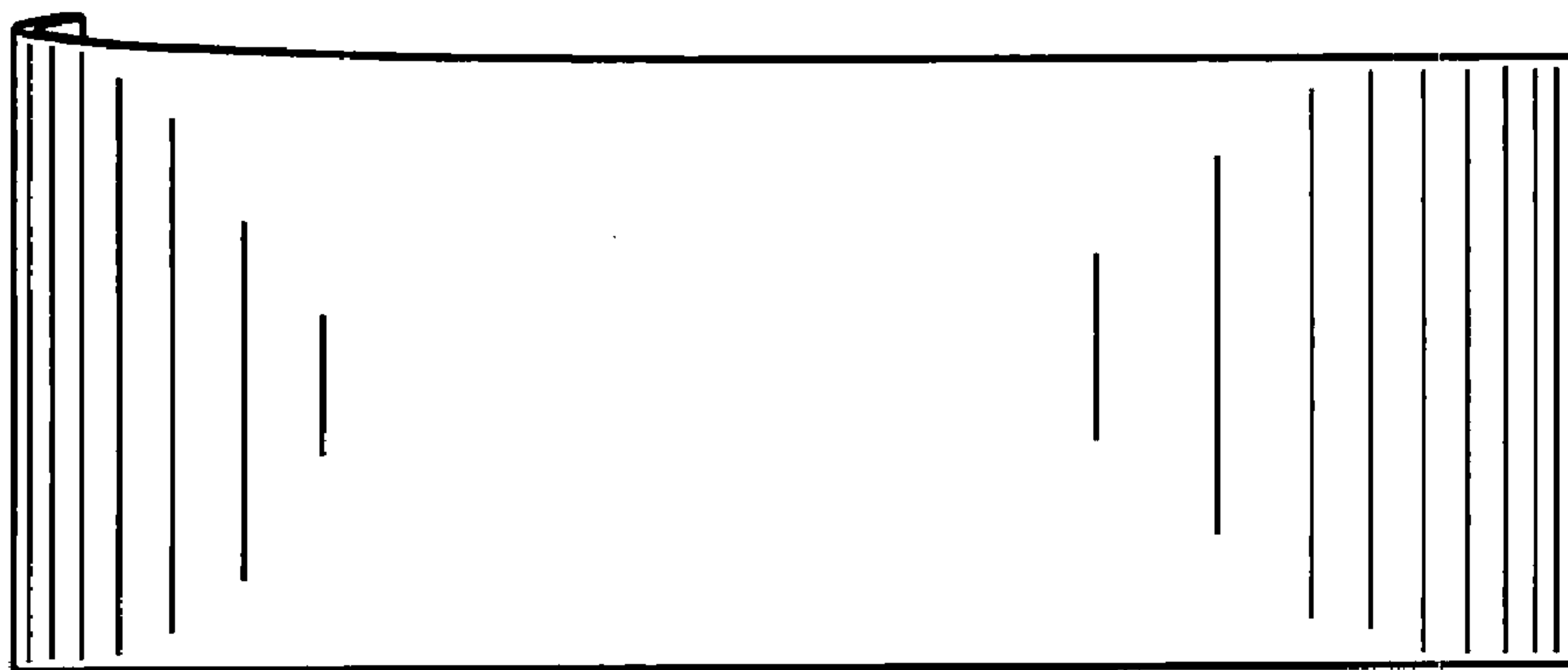


FIG. 6

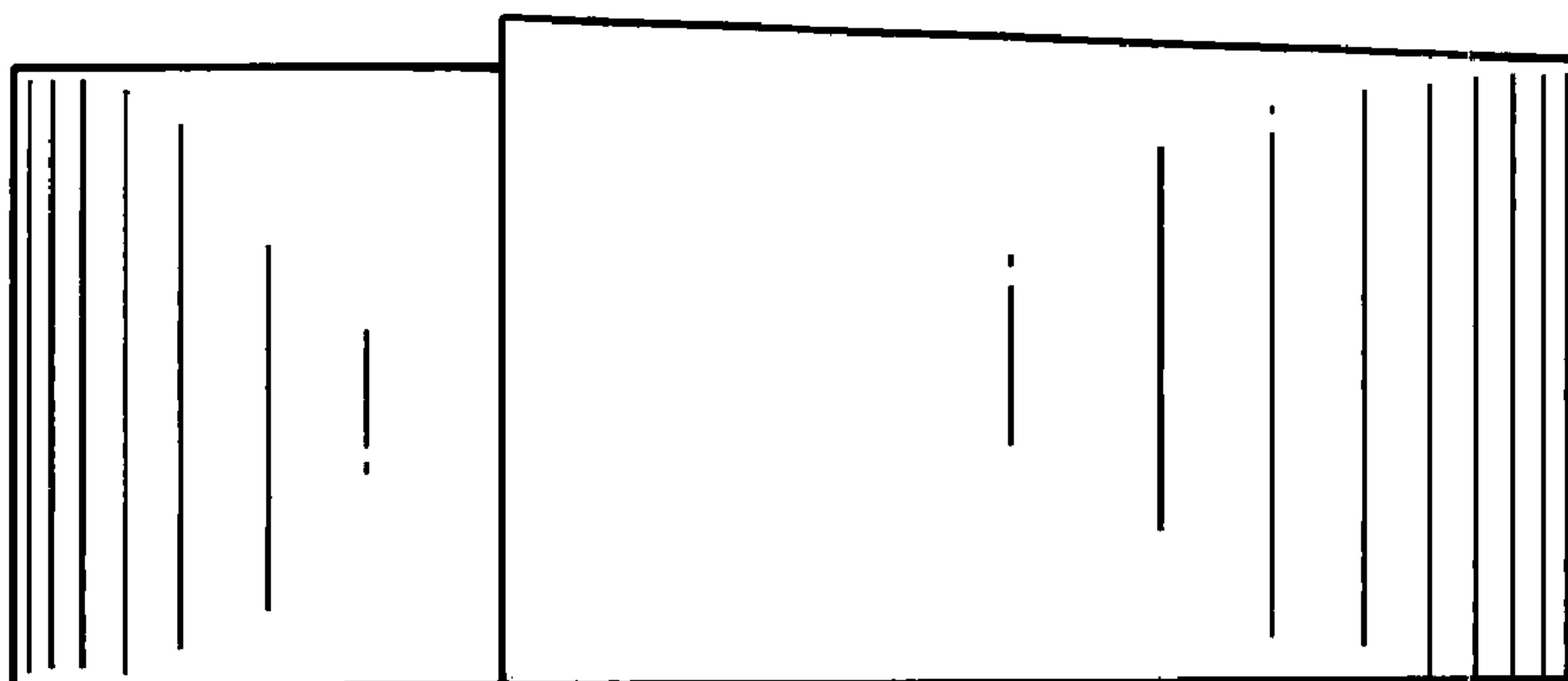


FIG. 7

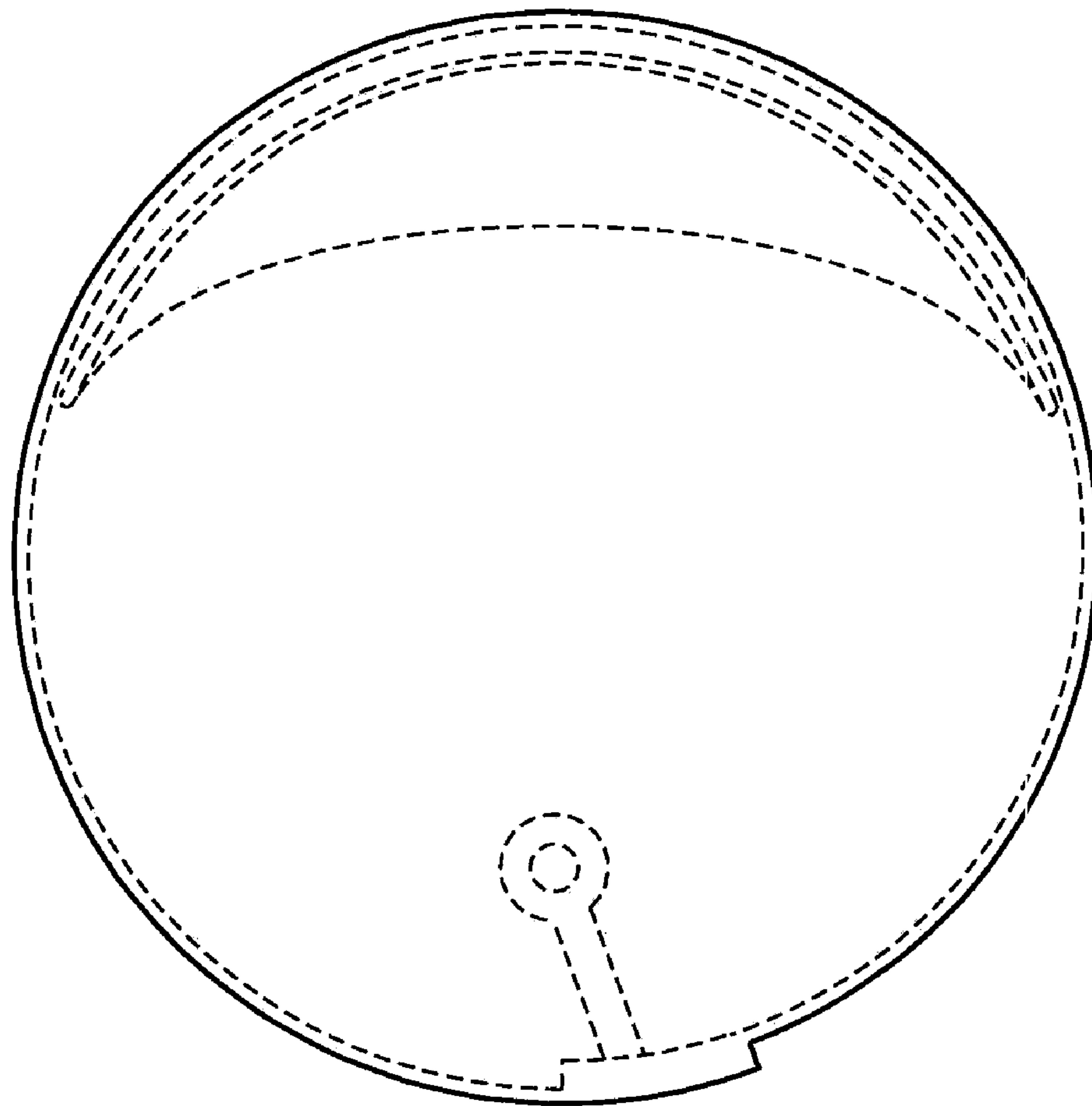


FIG. 8

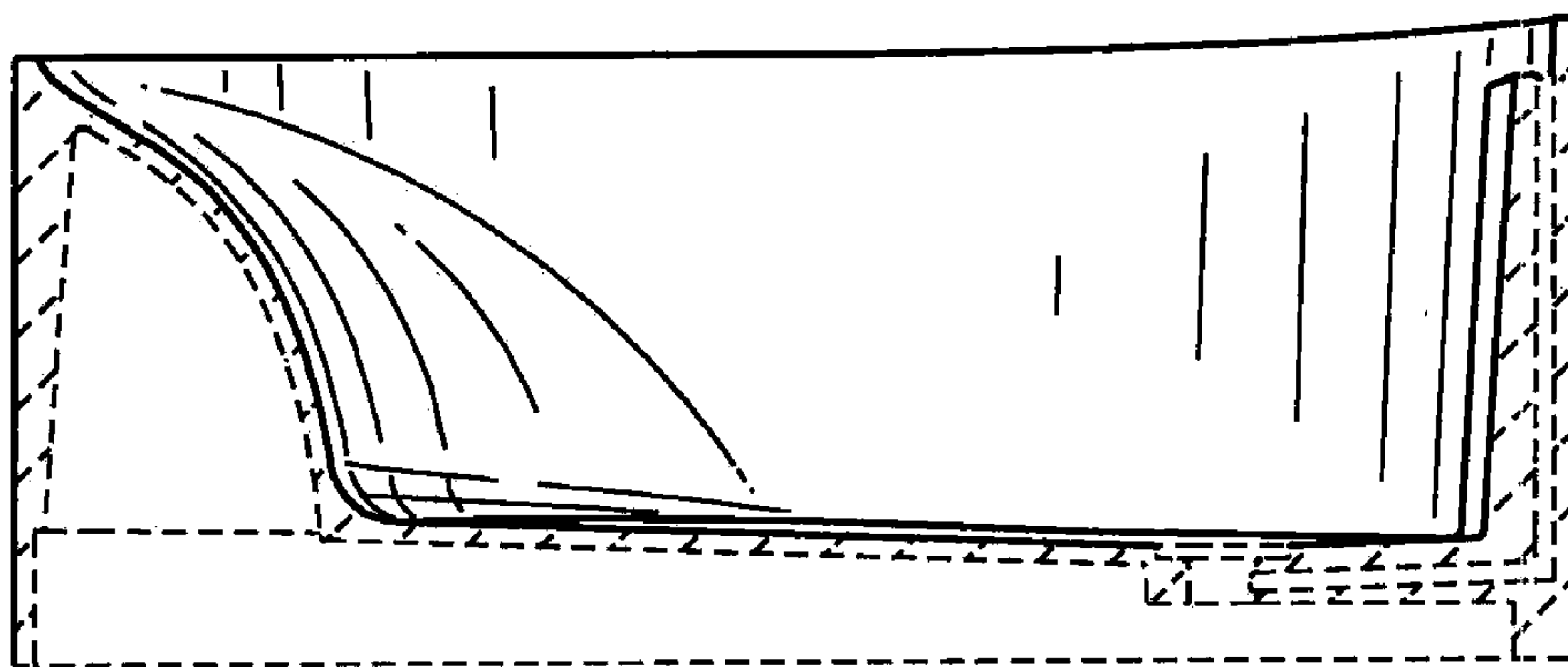


FIG. 9