



US00D638104S

(12) **United States Design Patent**
Govoni et al.

(10) **Patent No.:** **US D638,104 S**

(45) **Date of Patent:** **** *May 17, 2011**

(54) **COUPLER FOR PLUMBING FIXTURES**

(76) Inventors: **Arthur S. Govoni**, Islesboro, ME (US);
Jay Zlotkowski, Islesboro, ME (US)

(*) Notice: This patent is subject to a terminal disclaimer.

(**) Term: **14 Years**

(21) Appl. No.: **29/363,138**

(22) Filed: **Jun. 4, 2010**

Related U.S. Application Data

(63) Continuation-in-part of application No. 29/337,820, filed on May 29, 2009, now Pat. No. Des. 617,429.

(51) **LOC (9) Cl.** **23-01**

(52) **U.S. Cl.** **D23/262**

(58) **Field of Classification Search** D23/259–265;
285/11–12, 7, 177, 394–395, 307, 358, 179–183,
285/423, 356, 303, 337, 1, 53, 404, 112,
285/367, 373, 915, 148.18, 148.23, 242,
285/251, 256, 331, 353, 921; 4/321, 323,
4/286–287, 295; 292/58–59; 222/552, 554,
222/546, 563

See application file for complete search history.

(56) **References Cited**

U.S. PATENT DOCUMENTS

2,862,731 A * 12/1958 Hedden et al. 285/272
3,650,551 A * 3/1972 Akers 285/143.1
5,516,155 A * 5/1996 Ko 285/12
5,980,175 A 11/1999 Zimmerman

5,983,923 A 11/1999 Hobbs et al.
6,070,916 A 6/2000 Rowley
6,102,445 A * 8/2000 Thomas 285/139.1
6,193,282 B1 * 2/2001 Assenheimer 285/115
6,460,897 B1 * 10/2002 Manuli 285/256
6,464,266 B1 10/2002 O'Neill et al.
6,536,808 B1 * 3/2003 Chang 285/256
7,156,423 B2 1/2007 Marks
D617,429 S * 6/2010 Govoni et al. D23/262
2007/0216158 A1 * 9/2007 Kertesz et al. 285/256
2010/0163131 A1 * 7/2010 Fehr et al. 138/89

* cited by examiner

Primary Examiner — T. Chase Nelson

Assistant Examiner — Eric L Goodman

(74) *Attorney, Agent, or Firm* — Anthony D. Pellegrini, Esquire

(57) **CLAIM**

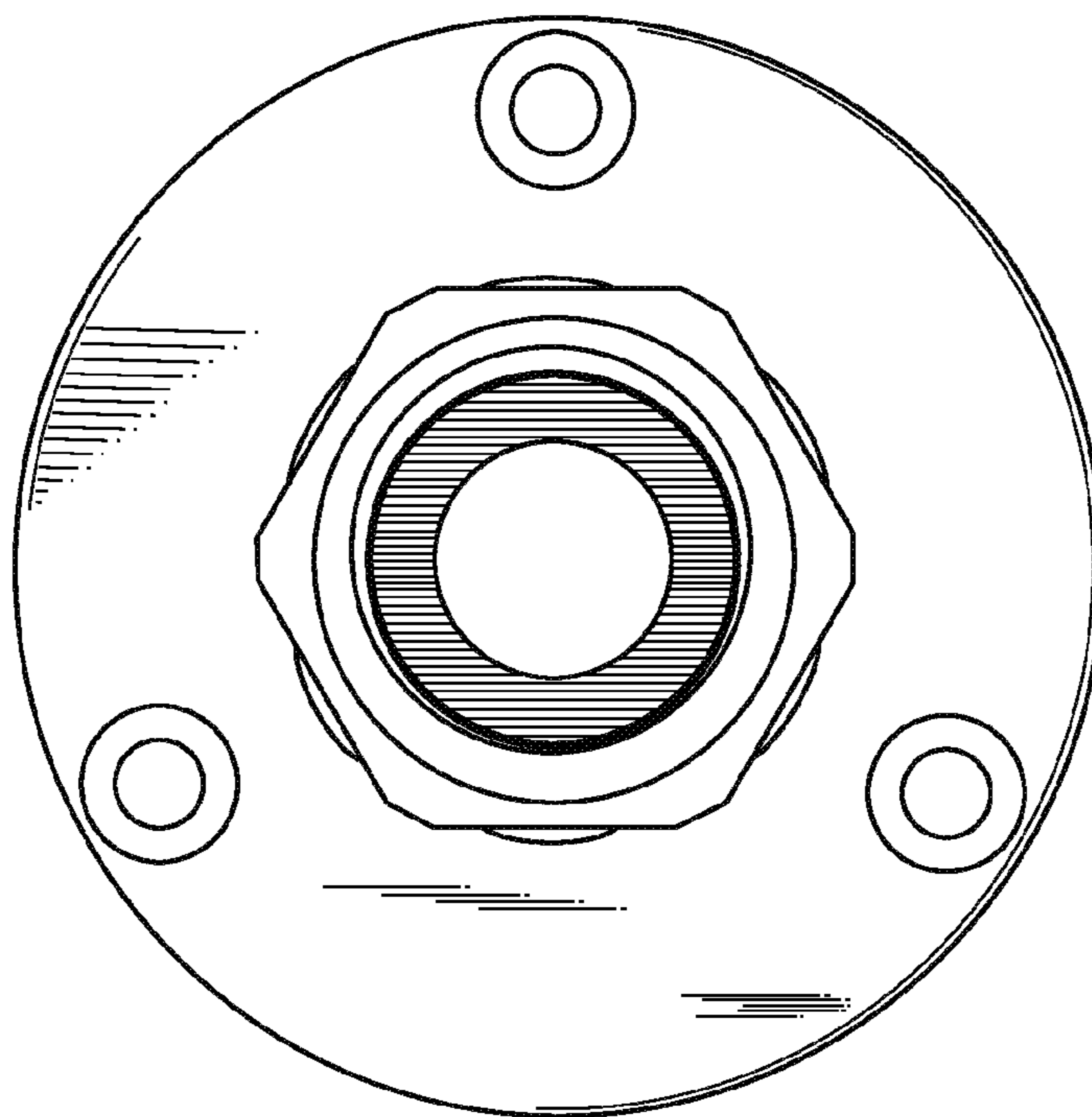
The ornamental design for a coupler for plumbing fixtures, as shown and described.

DESCRIPTION

FIG. 1 is a plan top view of a coupler for plumbing fixtures. FIG. 2 is a plan side view of a coupler for plumbing fixtures. FIG. 3 is a perspective bottom view of a coupler for plumbing fixtures; and, FIG. 4 is a perspective top view of a coupler for plumbing fixtures.

The present invention is an ornamental design for a coupler for plumbing fixtures designed to connect polyethylene tubing of said plumbing fixtures with copper tubing while presenting a flush interface with roughed-in walls or flooring, thereby making plumbing rough-in faster and easier to accomplish.

1 Claim, 4 Drawing Sheets



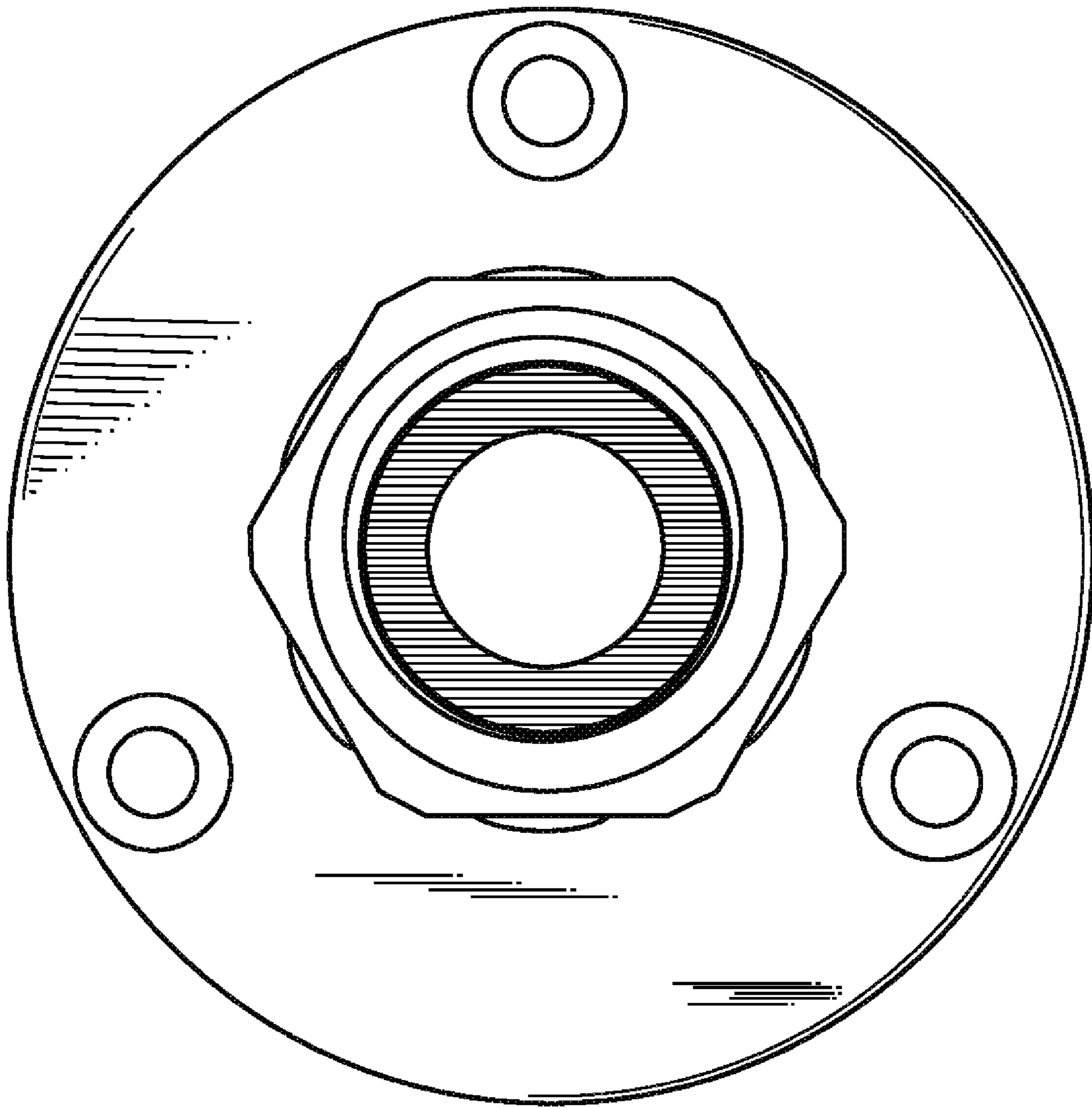


Fig. 1

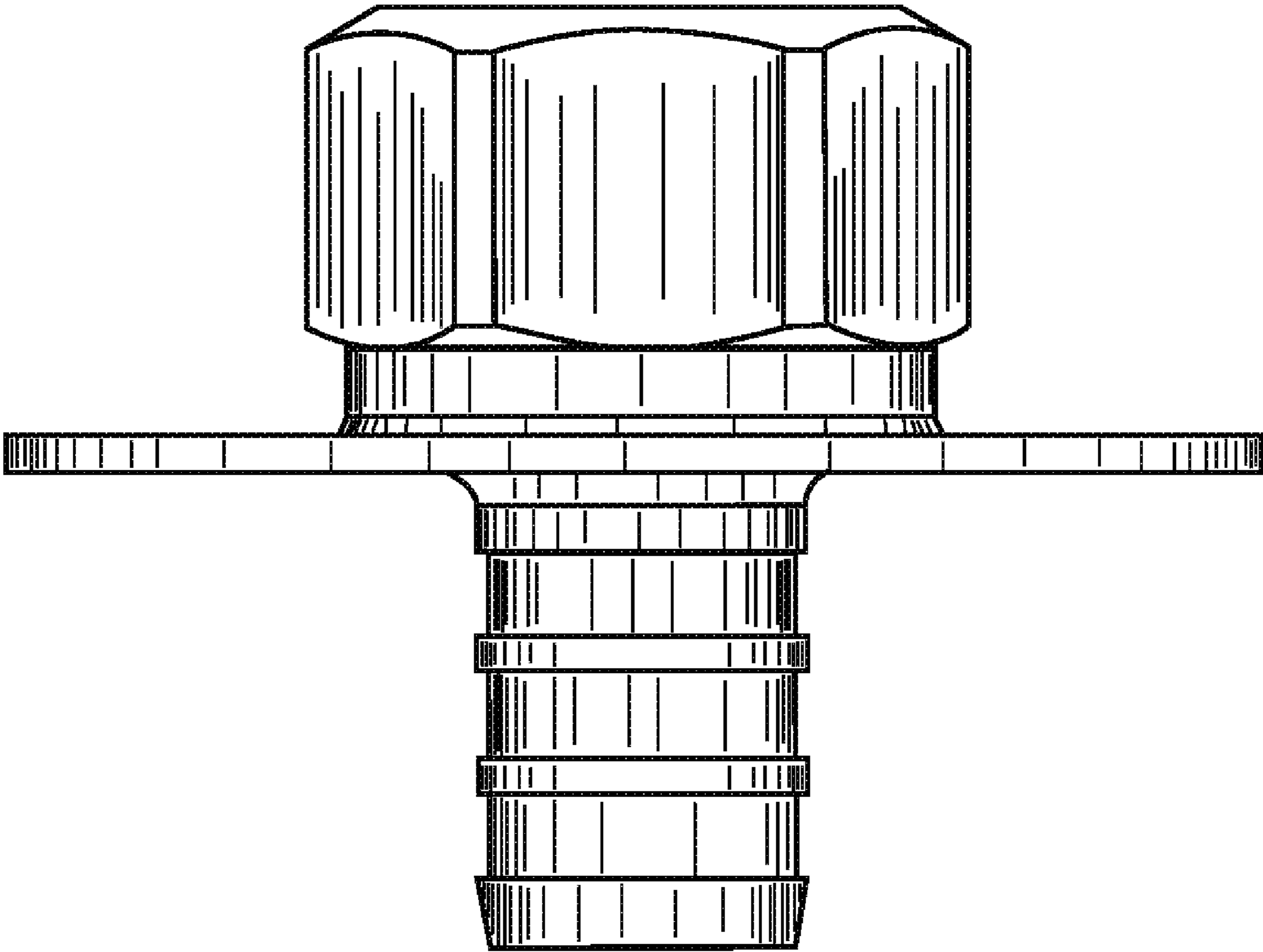


Fig. 2

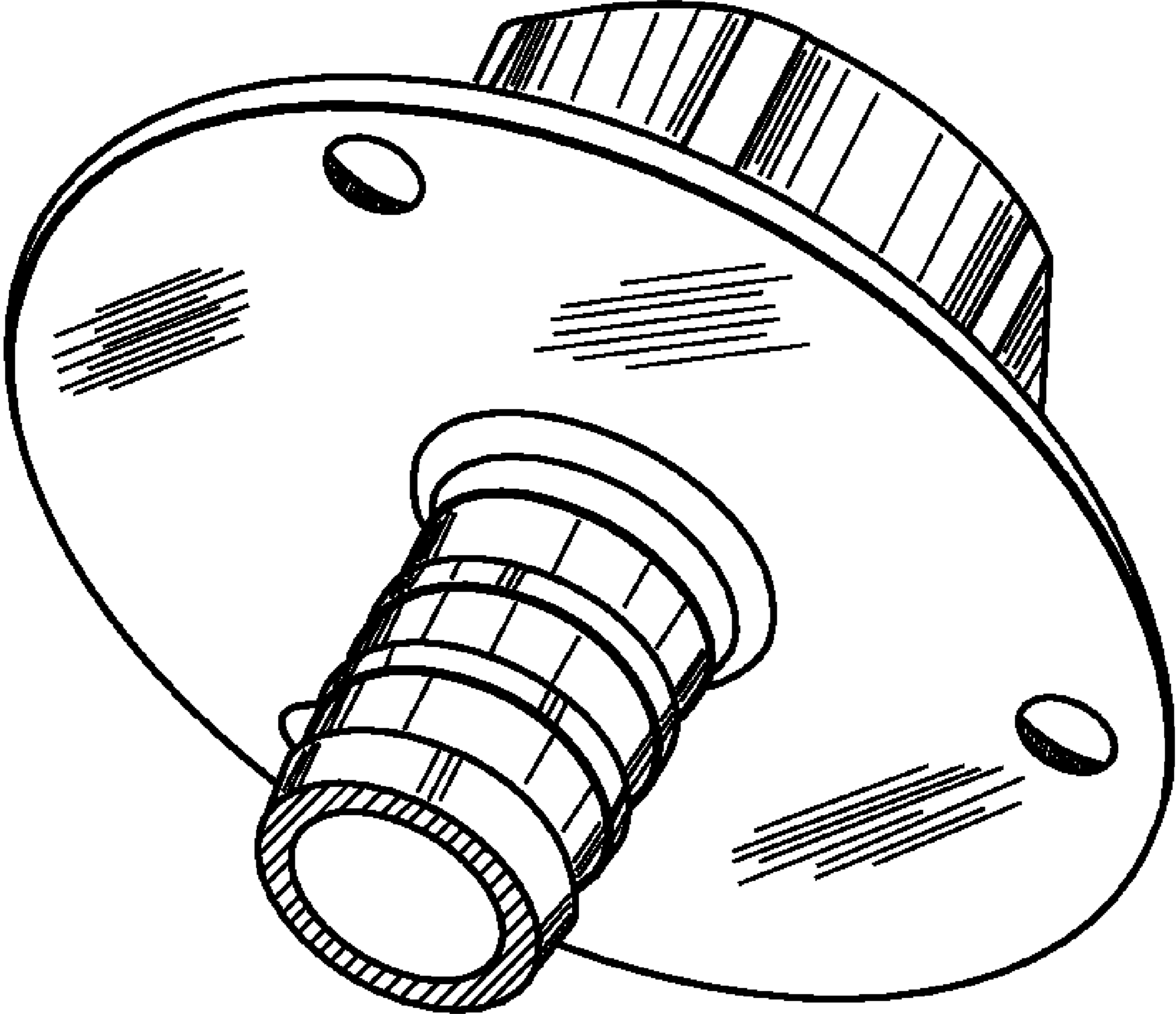


Fig. 3

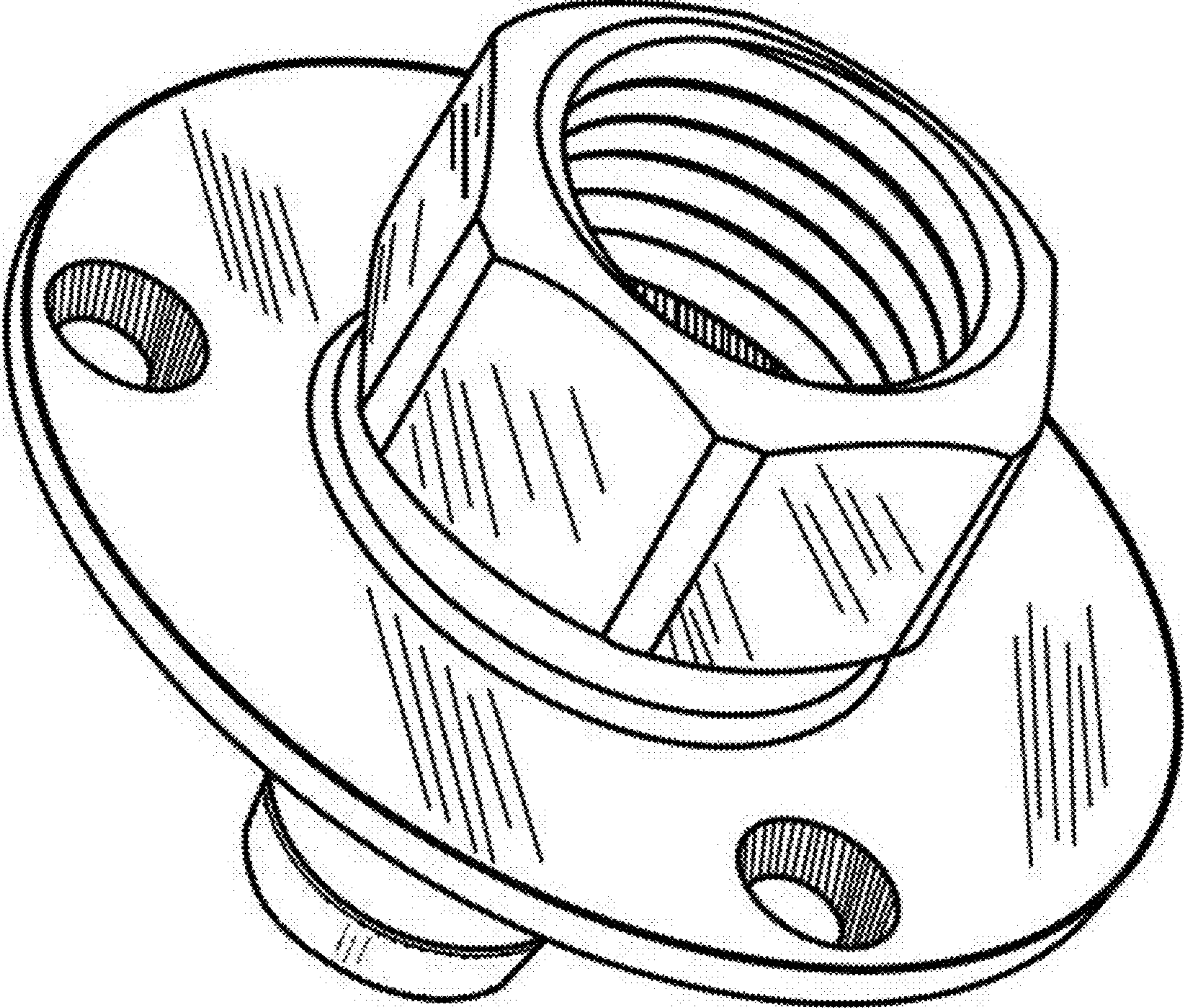


Fig. 4